



US0D1031663S

(12) **United States Design Patent** (10) **Patent No.:** **US D1,031,663 S**  
**Chen** (45) **Date of Patent:** **\*\* Jun. 18, 2024**

(54) **OUTLET EXTENDER**

(71) Applicant: **Shengyu Chen**, Guangdong (CN)

(72) Inventor: **Shengyu Chen**, Guangdong (CN)

(\*\*) Term: **15 Years**

(21) Appl. No.: **29/929,031**

(22) Filed: **Feb. 19, 2024**

(51) **LOC (14) Cl.** ..... **13-03**

(52) **U.S. Cl.**  
USPC ..... **D13/137.2**

(58) **Field of Classification Search**  
USPC ..... D13/137.1–137.4, 138.1–138.2,  
D13/139.1–139.8, 199  
CPC ..... H01R 13/4532; H01R 29/00  
See application file for complete search history.

(56) **References Cited**

**U.S. PATENT DOCUMENTS**

D443,589 S *	6/2001	Tong	.....	D13/137.2
D469,402 S *	1/2003	Bukiri	.....	D13/137.1
D591,239 S *	4/2009	Caplan	.....	D13/137.2
D680,953 S *	4/2013	Kuo	.....	D13/137.2
9,831,622 B1 *	11/2017	Lin	.....	H01R 29/00
D807,828 S	1/2018	Xu		
D826,159 S *	8/2018	Tao	.....	D13/137.2
10,211,583 B2 *	2/2019	Liao	.....	H01R 13/4532
D871,344 S *	12/2019	Lyu	.....	D13/139.8
D894,838 S *	9/2020	Chen	.....	D13/139.7
D895,554 S *	9/2020	Jianting	.....	D13/137.2
D899,374 S *	10/2020	Amoss	.....	D13/138.2
D899,375 S *	10/2020	Bao	.....	D13/137.2
D924,806 S *	7/2021	Li	.....	D13/137.2
D955,994 S *	6/2022	Lin	.....	D13/137.2
D957,342 S *	7/2022	Zhou	.....	D13/137.2
D959,380 S *	8/2022	Liu	.....	D13/137.2
D970,448 S *	11/2022	Zhou	.....	D13/137.2
D975,020 S *	1/2023	Tan	.....	D13/137.2
D981,961 S *	3/2023	Liu	.....	D13/137.2
D1,003,249 S *	10/2023	Hu	.....	D13/137.2
D1,019,570 S *	3/2024	Guo	.....	D13/139.8

**OTHER PUBLICATIONS**

“Tessan 30W . . . ” reference dated May 4, 2024 found by RMS on the internet at: <https://tessan.com/products/tessan-30w-usb-c-wall-charger-fast-charging-multi-plug-adapter>.\*

“WBM Smart Multi . . . ” reference dated May 4, 2024 found by RMS on the internet at: <https://wbminternational.com/product/wbm-smart-multi-plug-outlet-6-outlet-extender-with-2-usb-charging-ports-usb-c-night-light-3-sided-power-strip-with-adapter-spaced-outlets>.\*

“Flat Electrical . . . ” reference dated May 4, 2024 found by RMS on the internet at: [https://www.amazon.com/Electrical-Extender-Extension-Protector-Office/dp/B0C7MV2KYK/ref=asc\\_df\\_B0C7MV2KYK/?tag=hyprod-20&linkCode=df0&hvadid=693308325733&hvpos=&hvnetw=g&hvrnd=8346255270213679603&hvppone=&hvptwo=&hvqmt=&hvdev=c&hvdvcmdl](https://www.amazon.com/Electrical-Extender-Extension-Protector-Office/dp/B0C7MV2KYK/ref=asc_df_B0C7MV2KYK/?tag=hyprod-20&linkCode=df0&hvadid=693308325733&hvpos=&hvnetw=g&hvrnd=8346255270213679603&hvppone=&hvptwo=&hvqmt=&hvdev=c&hvdvcmdl).\*

\* cited by examiner

*Primary Examiner* — Rhea Shields

(74) *Attorney, Agent, or Firm* — Daniel M. Cohn;  
Howard M. Cohn

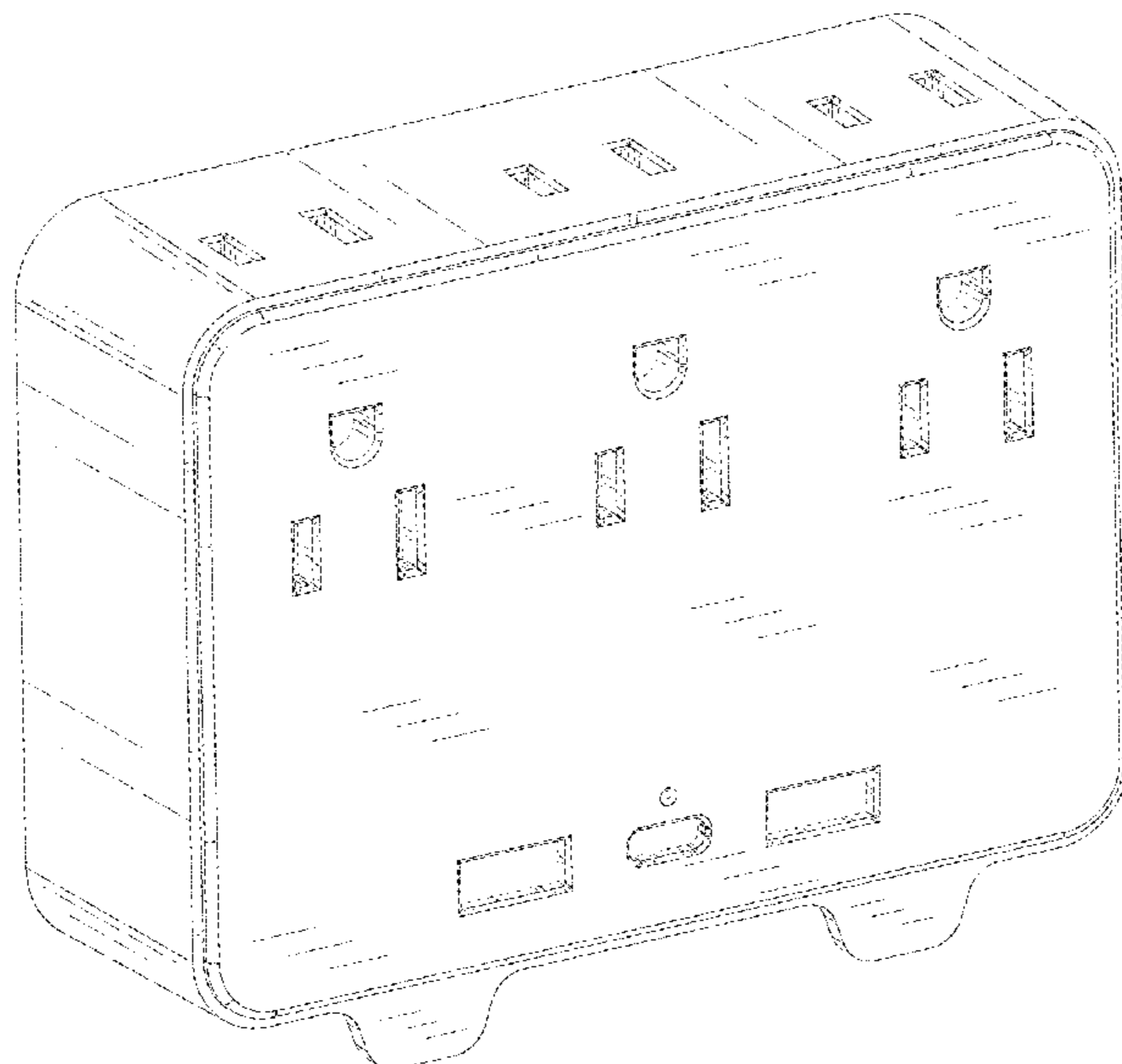
(57) **CLAIM**

The ornamental design for an outlet extender, as shown and described.

**DESCRIPTION**

FIG. 1 is a perspective view of an outlet extender showing my new design;  
FIG. 2 and FIG. 3 are another perspective views thereof;  
FIG. 4 is a front view thereof;  
FIG. 5 is a back view thereof;  
FIG. 6 is a left view thereof;  
FIG. 7 is a right view thereof;  
FIG. 8 is a top plan view thereof; and,  
FIG. 9 is a bottom plan view thereof;  
The broken lines depict portions of the outlet extender and form no part of the claimed design.

**1 Claim, 9 Drawing Sheets**



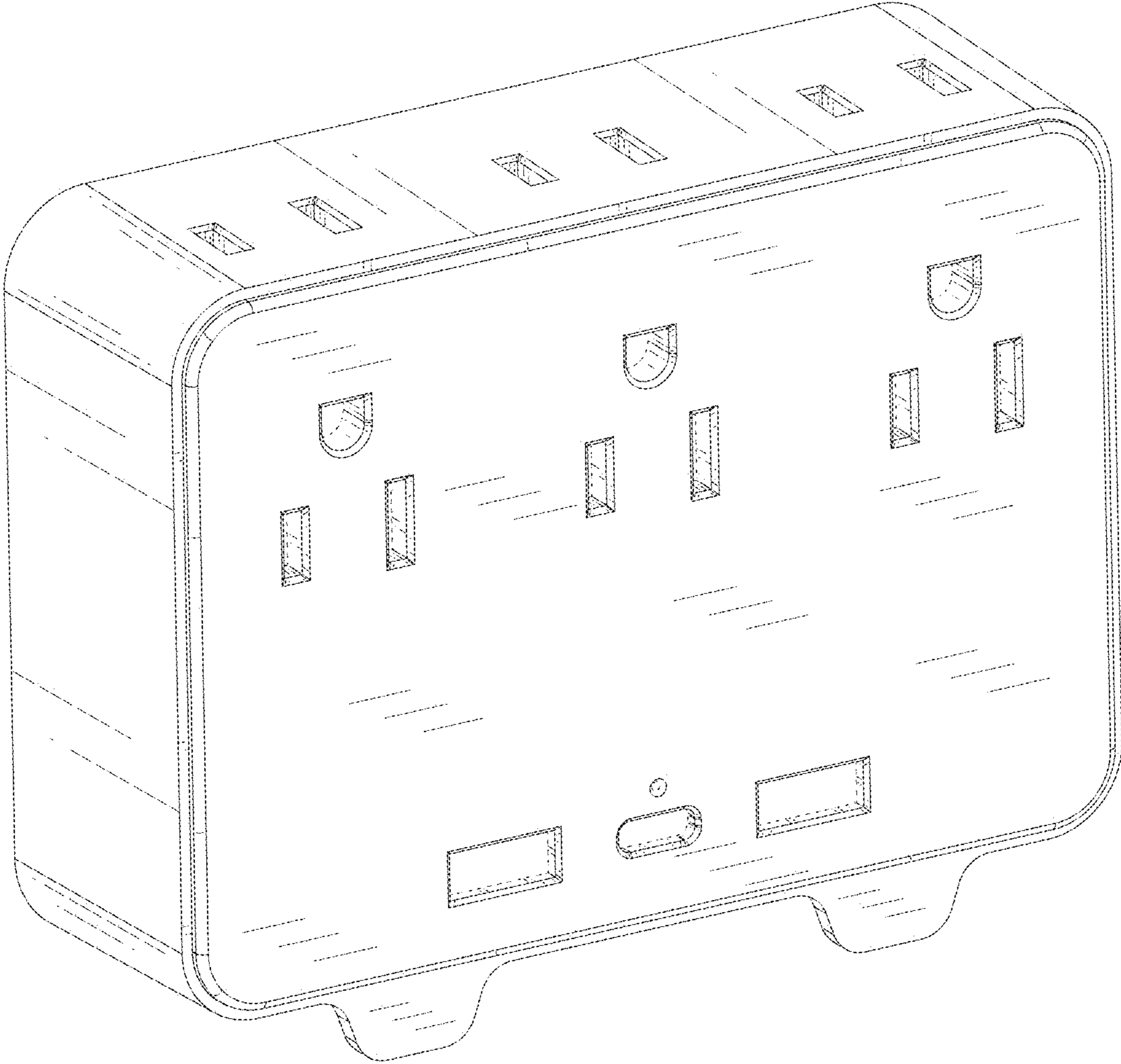


FIG. 1

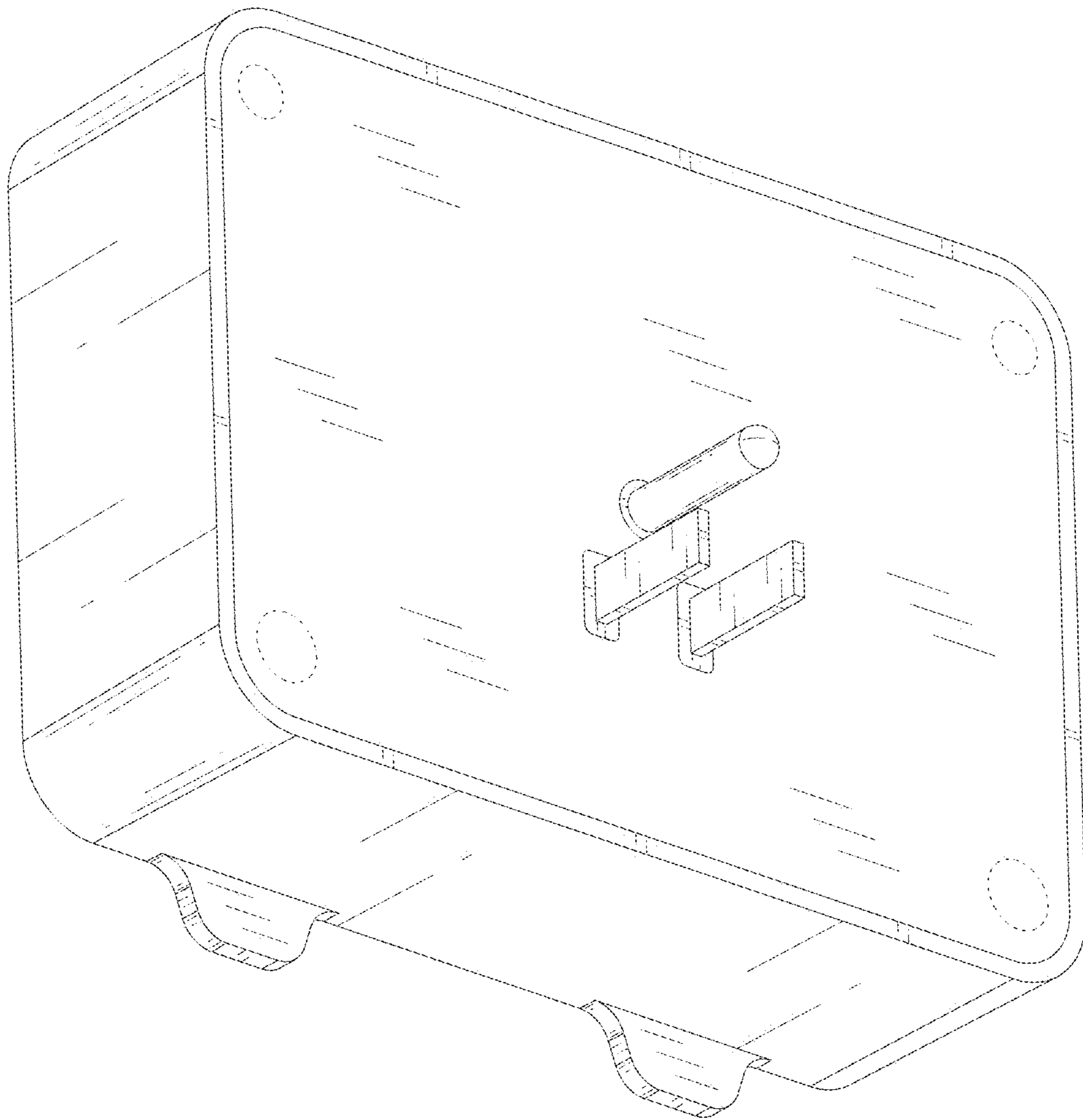


FIG. 2

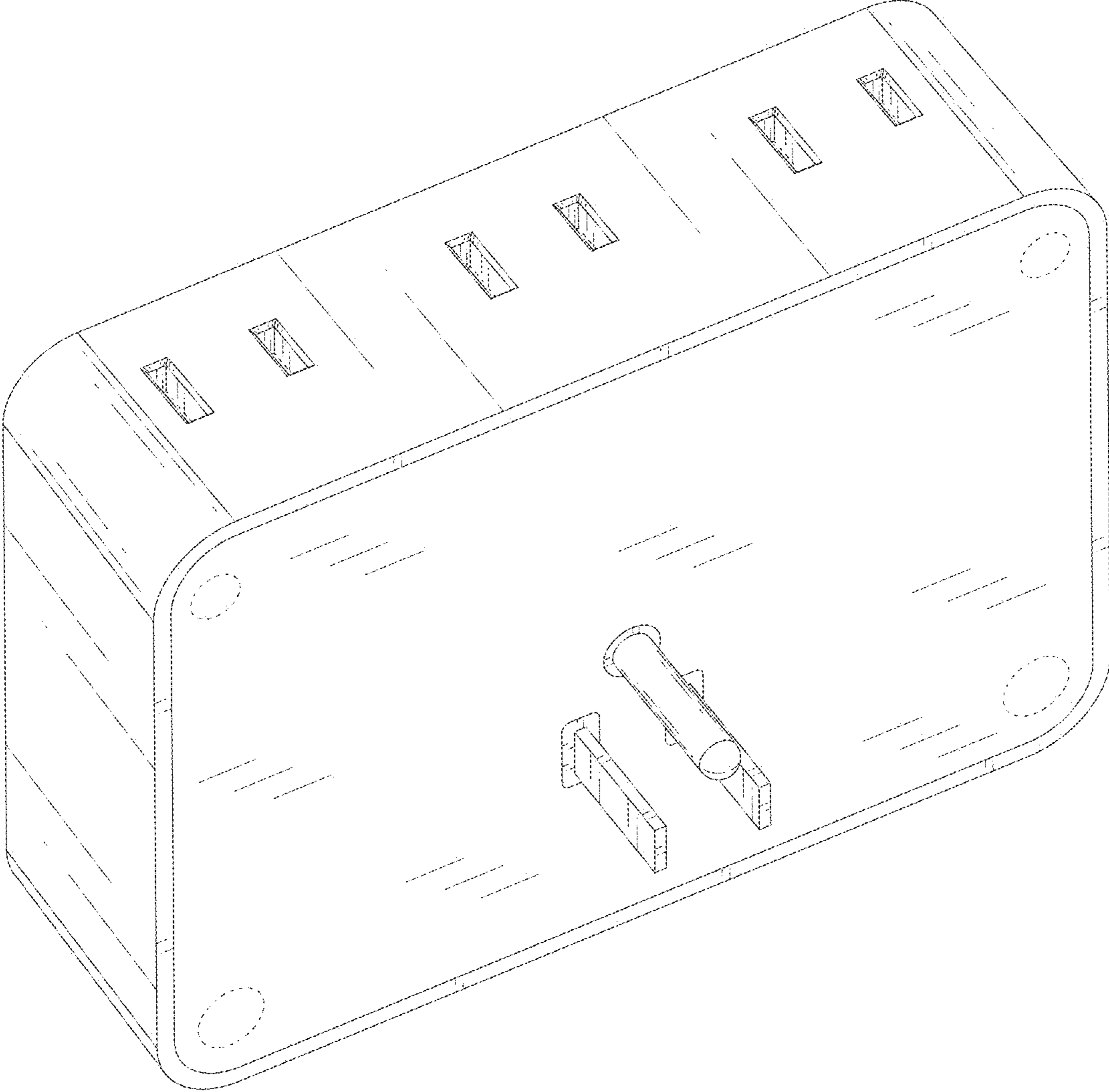


FIG. 3

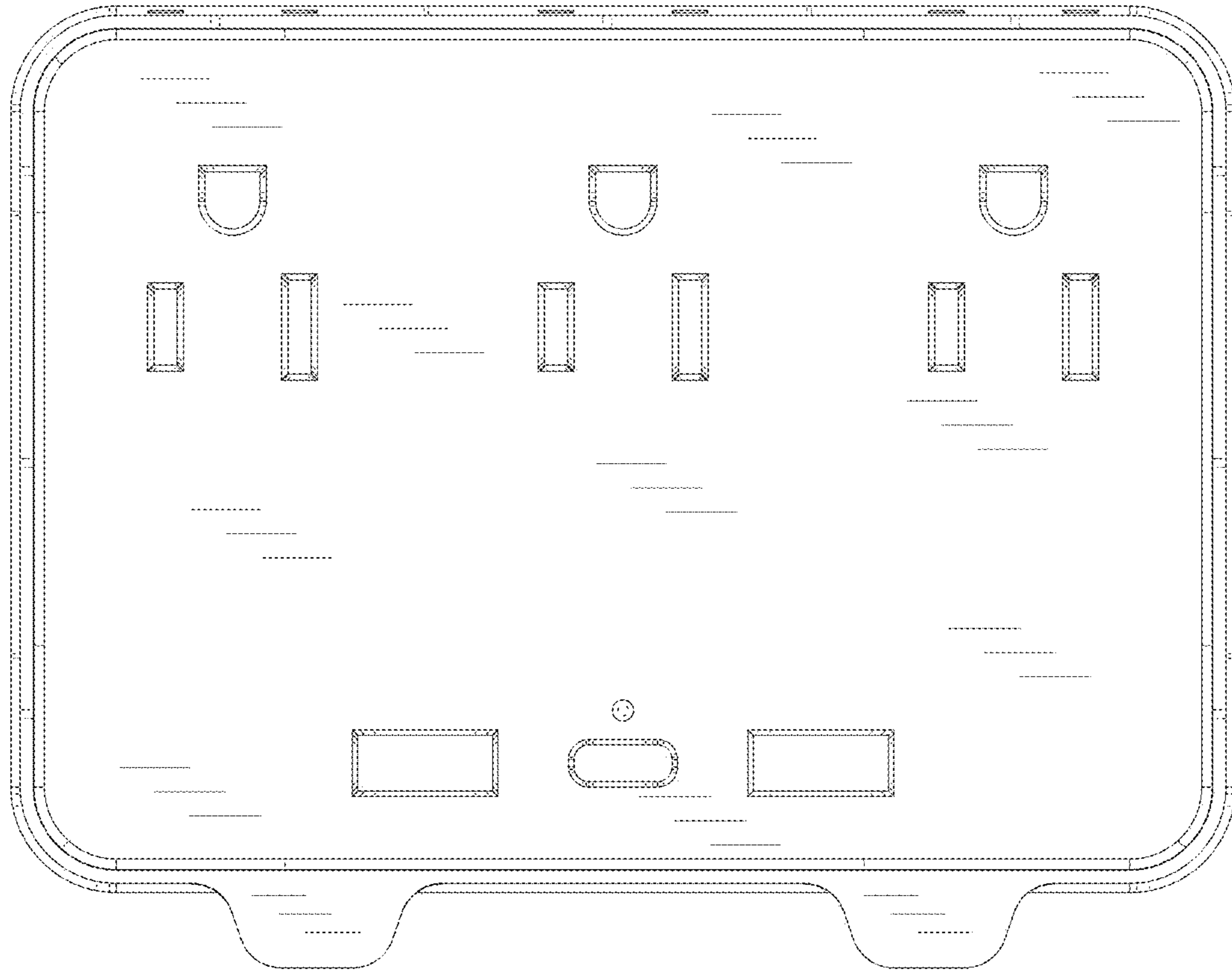


FIG. 4

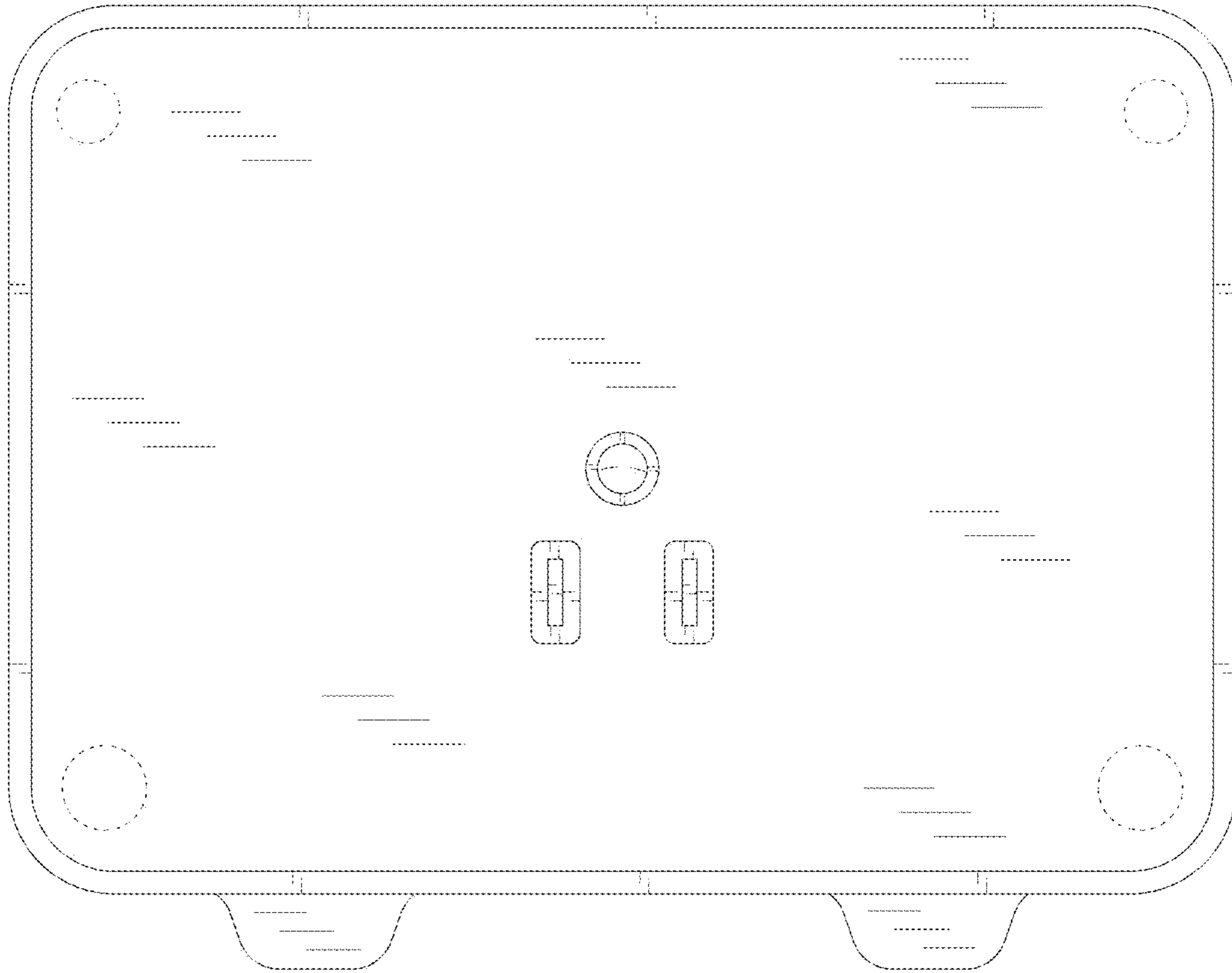


FIG. 5

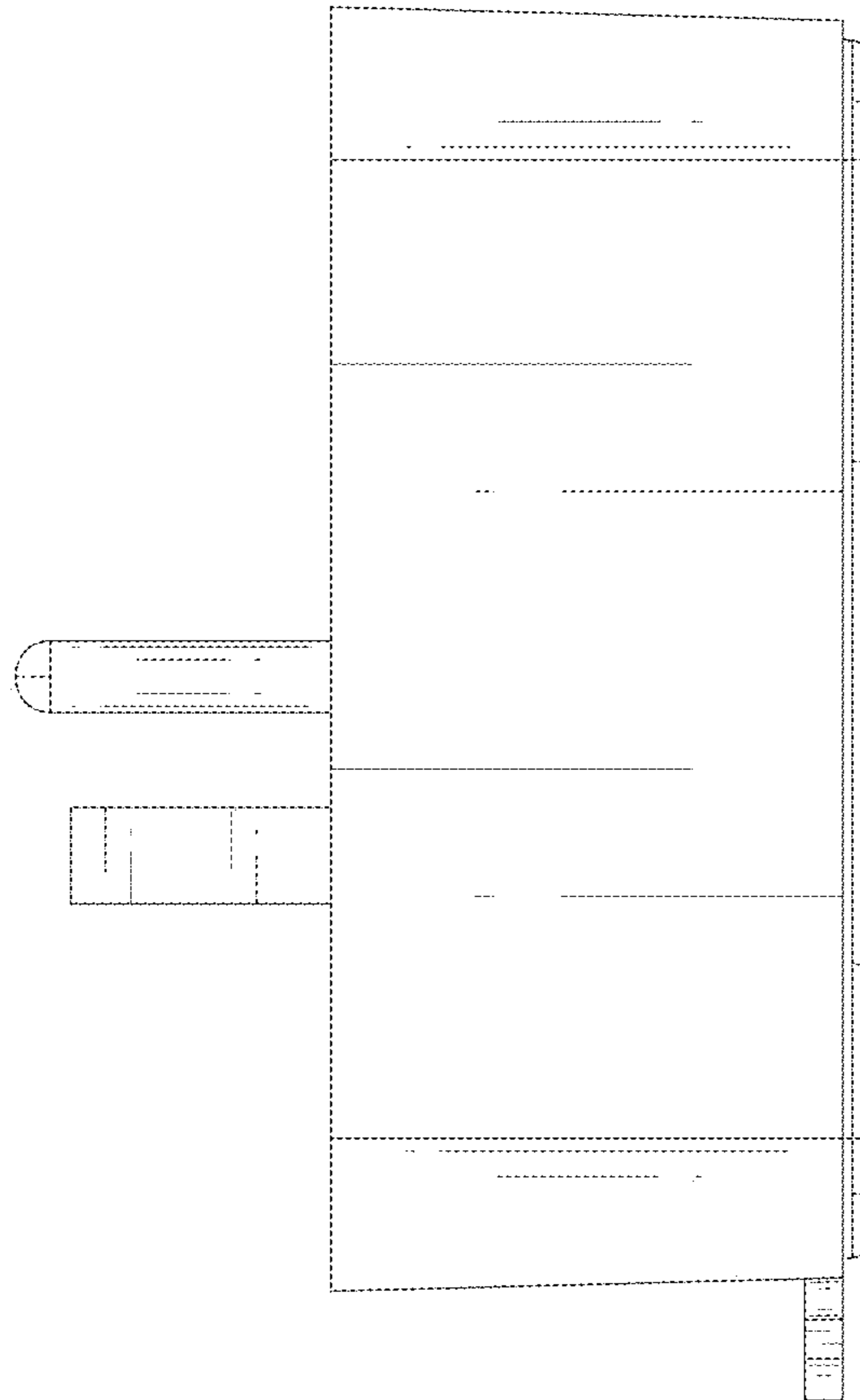


FIG. 6

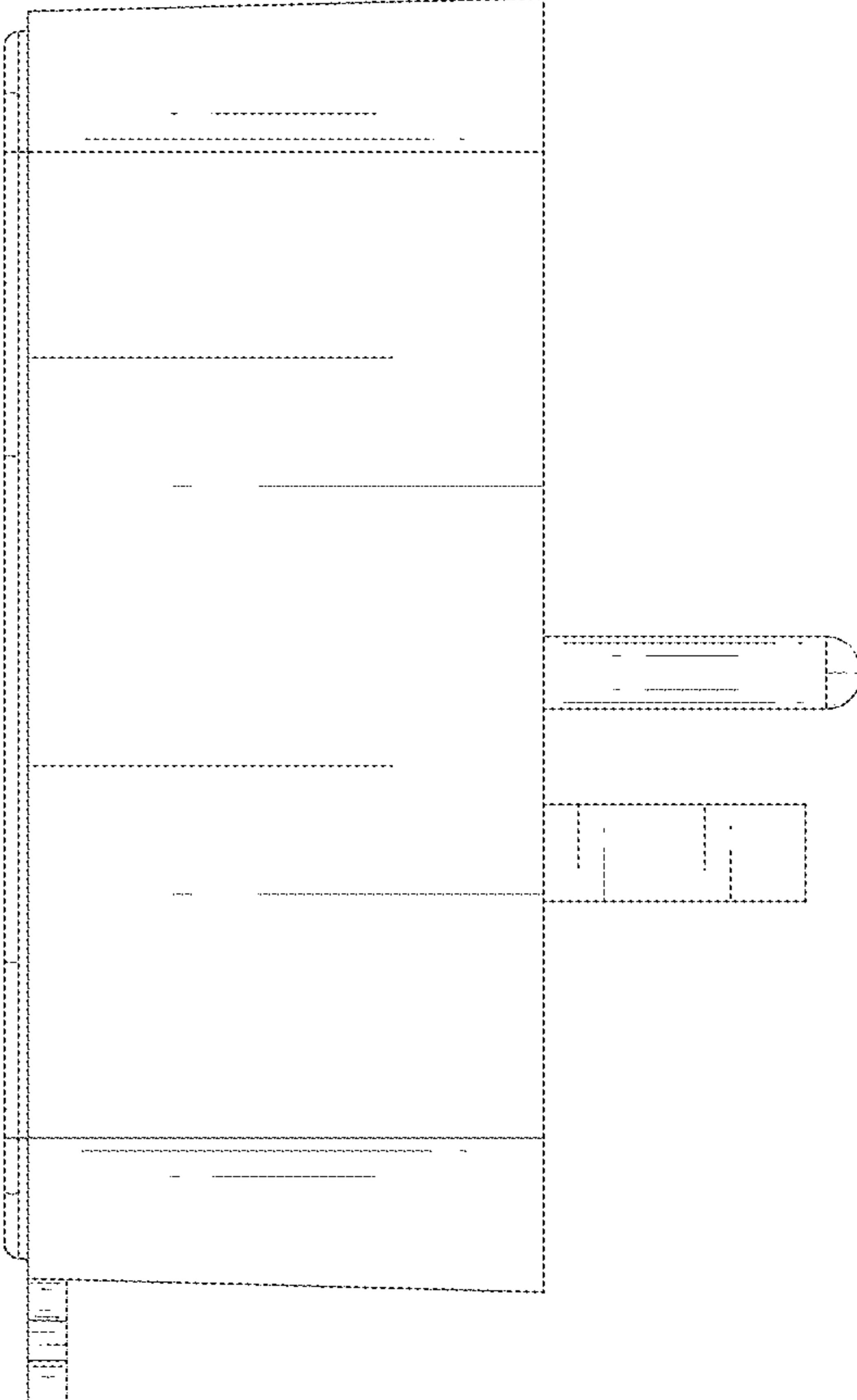


FIG. 7

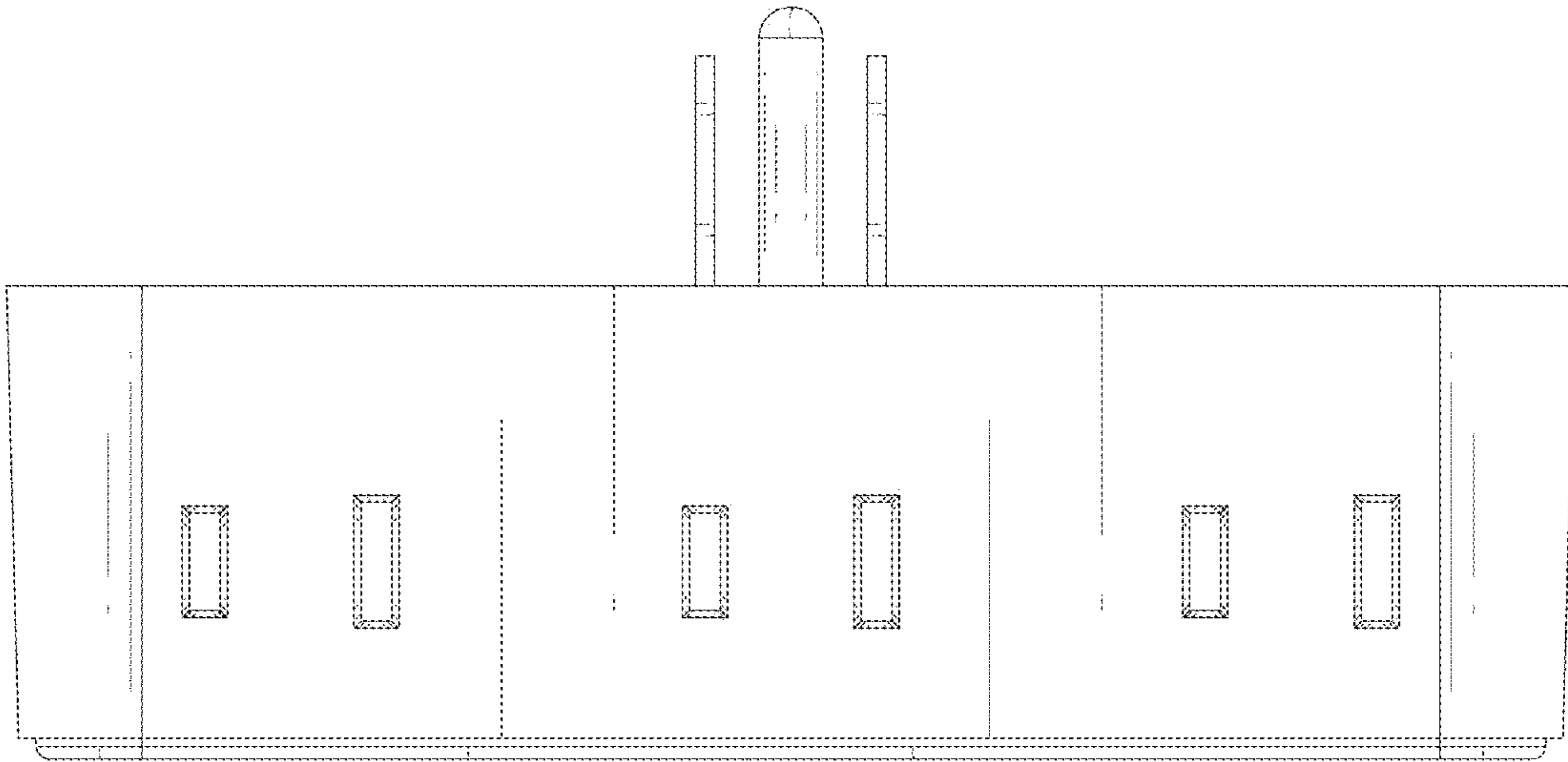


FIG. 8

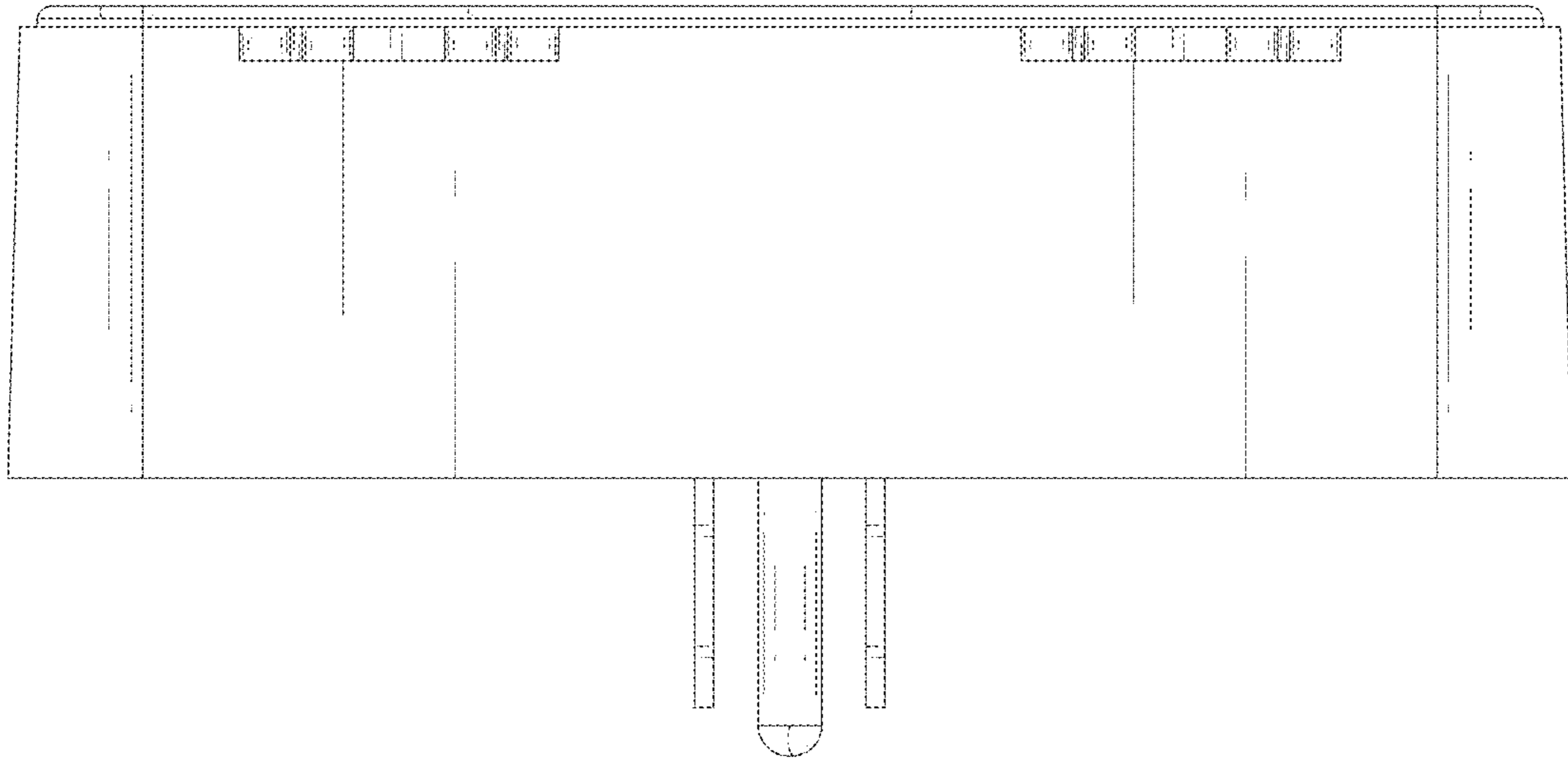


FIG. 9