



US0D1031621S

(12) **United States Design Patent**  
**Van Zile, Jr.**

(10) **Patent No.:** **US D1,031,621 S**

(45) **Date of Patent:** **\*\* Jun. 18, 2024**

(54) **VEHICLE DOOR STORAGE UNIT**

(71) Applicant: **Bruce John Van Zile, Jr.**, Fort Walton Beach, FL (US)

(72) Inventor: **Bruce John Van Zile, Jr.**, Fort Walton Beach, FL (US)

(\*\*) Term: **15 Years**

(21) Appl. No.: **29/754,072**

(22) Filed: **Oct. 6, 2020**

(51) **LOC (14) Cl.** ..... **12-16**

(52) **U.S. Cl.**  
USPC ..... **D12/426**

(58) **Field of Classification Search**  
USPC ..... D12/426  
CPC ..... B62B 3/02; B62B 3/022; A47B 81/00;  
A47B 43/00  
See application file for complete search history.

(56) **References Cited**

**U.S. PATENT DOCUMENTS**

- 4,637,626 A \* 1/1987 Foss ..... A45C 13/385  
280/655
- 10,376,045 B1 \* 8/2019 Poudrier ..... B62B 3/002
- D1,005,216 S \* 11/2023 Chen ..... D12/421
- 11,833,964 B2 \* 12/2023 DeStasio ..... B60R 7/043
- D1,014,410 S \* 2/2024 Chen ..... D12/421

- D1,014,411 S \* 2/2024 Tian ..... D12/422
- D1,014,414 S \* 2/2024 Roumeliotis ..... D12/424
- D1,021,706 S \* 4/2024 Li ..... D12/168
- 11,951,949 B2 \* 4/2024 Mamo ..... B60R 7/00
- 2014/0217045 A1 \* 8/2014 Nesin ..... B65D 85/68  
211/13.1

\* cited by examiner

*Primary Examiner* — Katrina A Betton

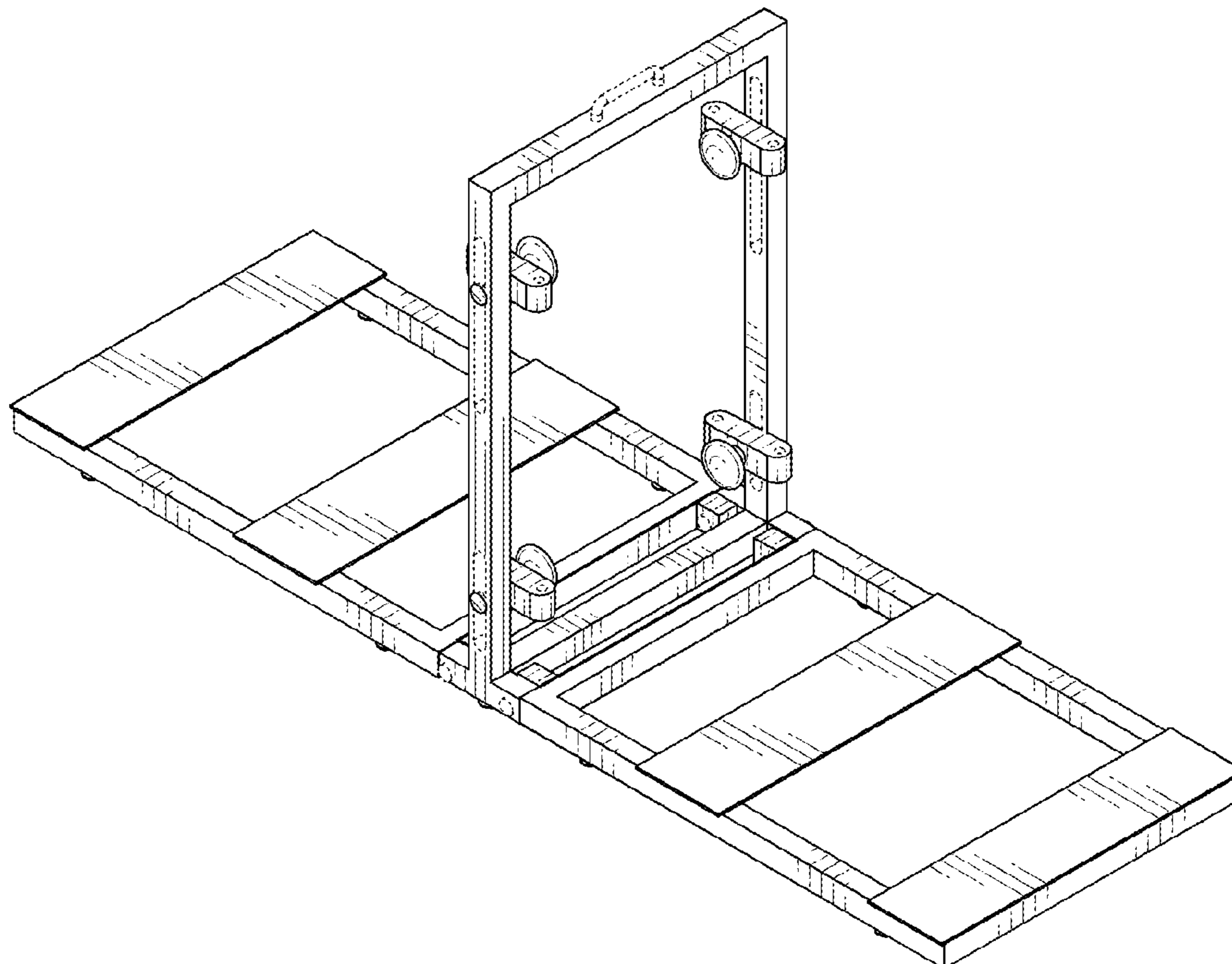
(57) **CLAIM**

The ornamental design for a vehicle door storage unit, as shown and described.

**DESCRIPTION**

FIG. 1 is a front-top perspective view of a vehicle door storage unit showing my new design;  
 FIG. 2 is a front-bottom perspective view thereof;  
 FIG. 3 is a rear-top perspective view thereof;  
 FIG. 4 is a rear-bottom perspective view thereof;  
 FIG. 5 is a front elevational view thereof;  
 FIG. 6 is a rear elevational view thereof;  
 FIG. 7 is a left elevational view thereof;  
 FIG. 8 is a right elevational view thereof;  
 FIG. 9 is a top plan view thereof;  
 FIG. 10 is a bottom plan view thereof; and,  
 FIG. 11 is a supplemental view of the vehicle door storage unit in a folded configuration.  
 The broken lines shown are for illustrative purposes only and form no part of the claimed design.

**1 Claim, 11 Drawing Sheets**



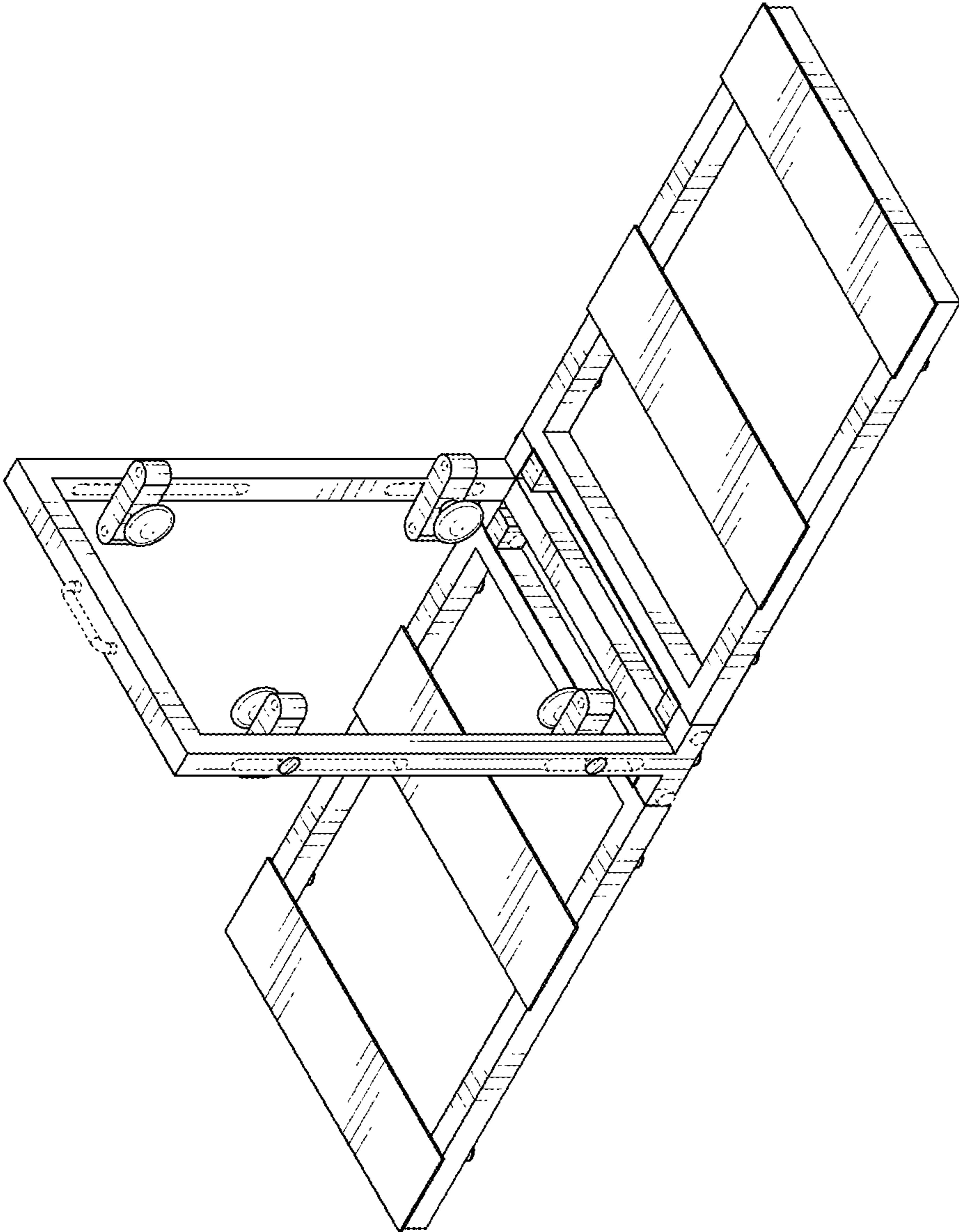


FIG. 1

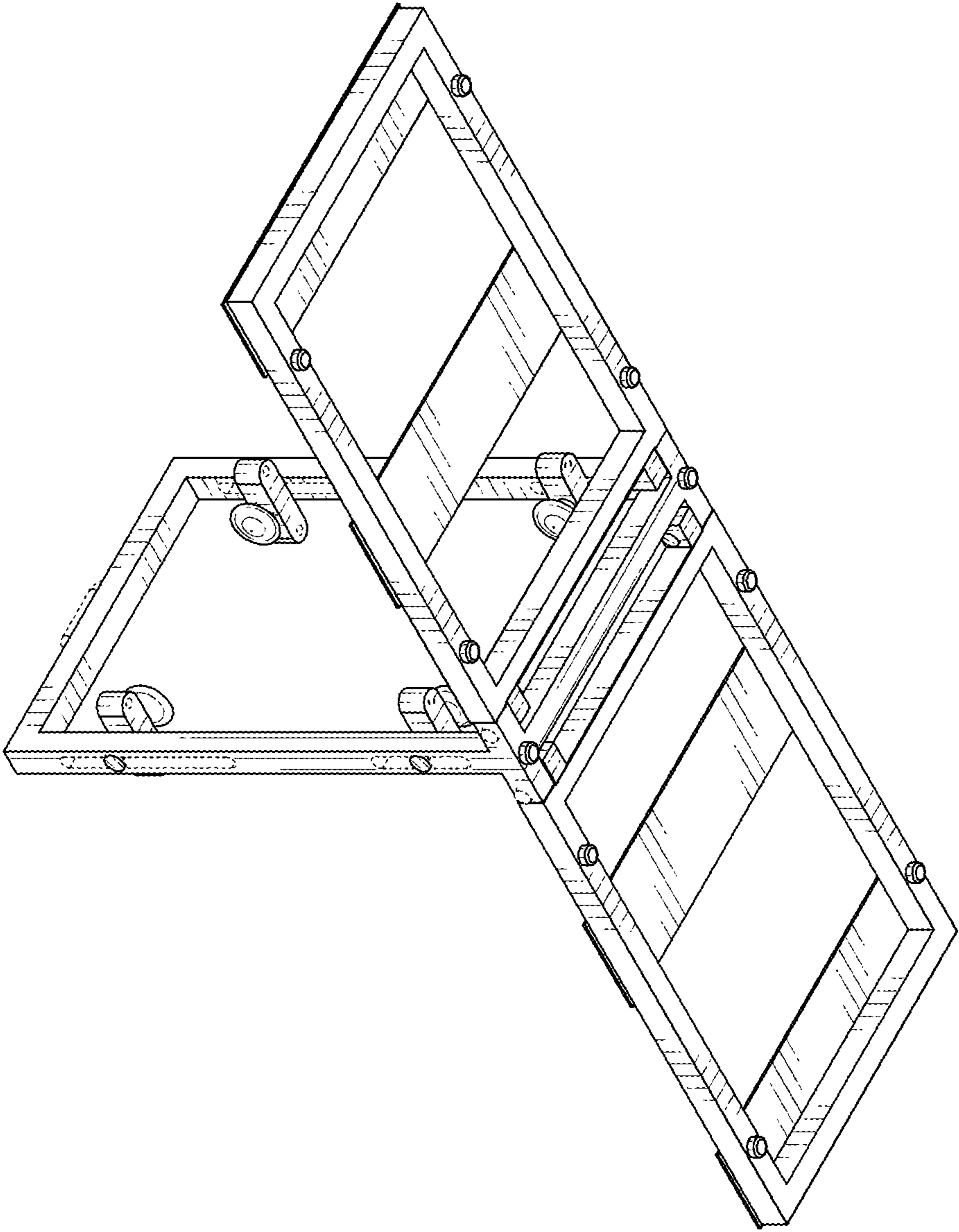


FIG. 2

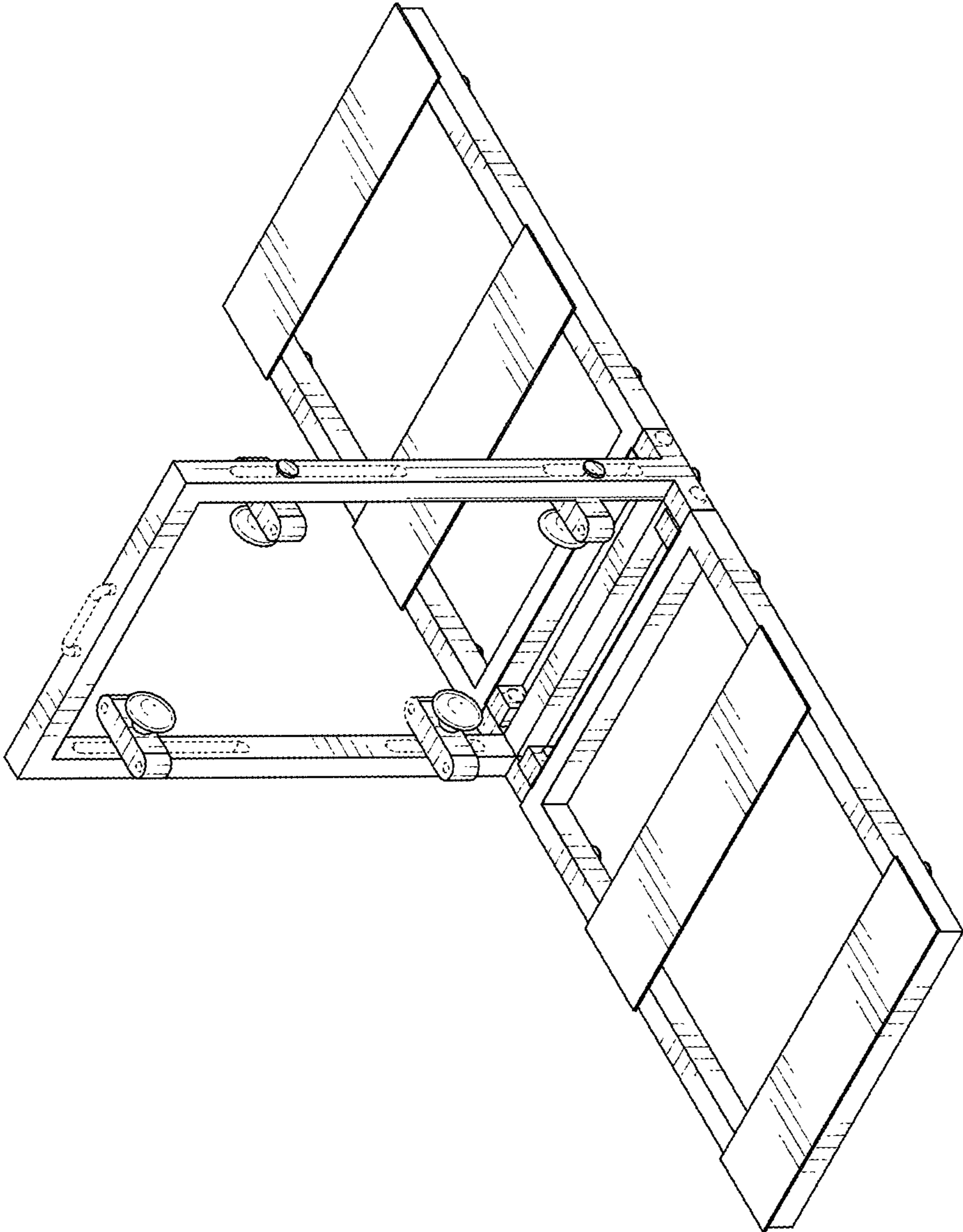


FIG. 3



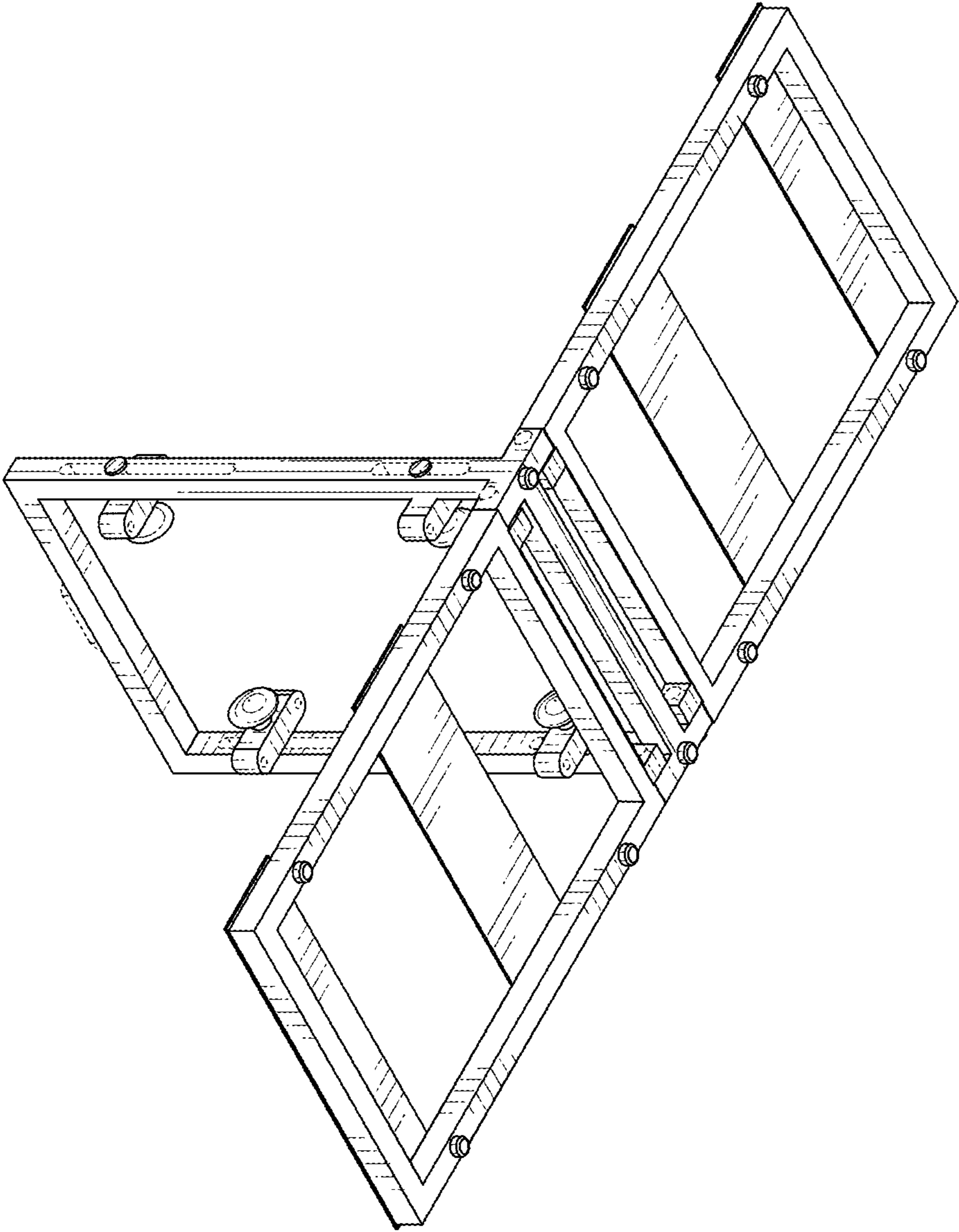


FIG. 4

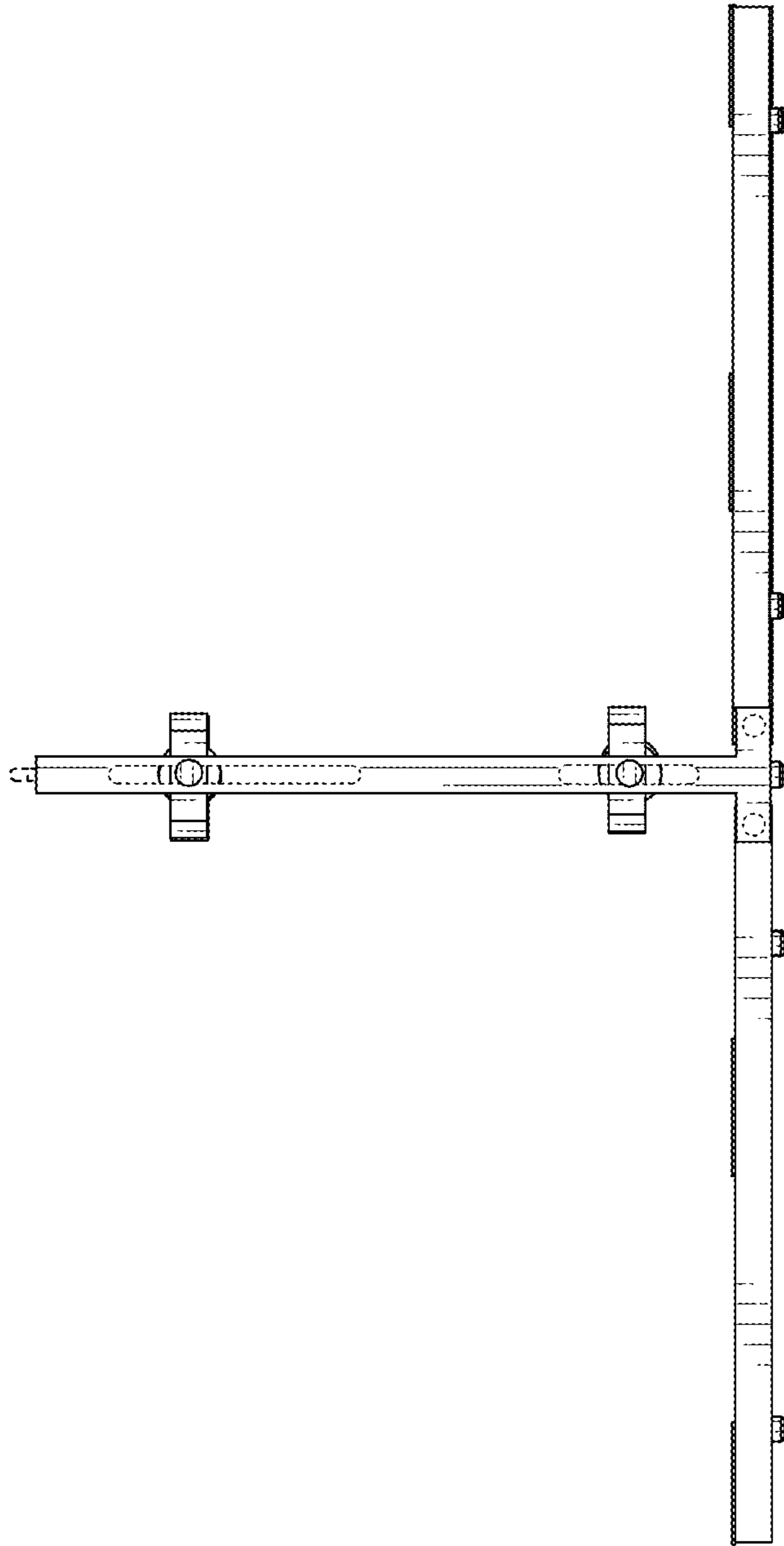


FIG. 5

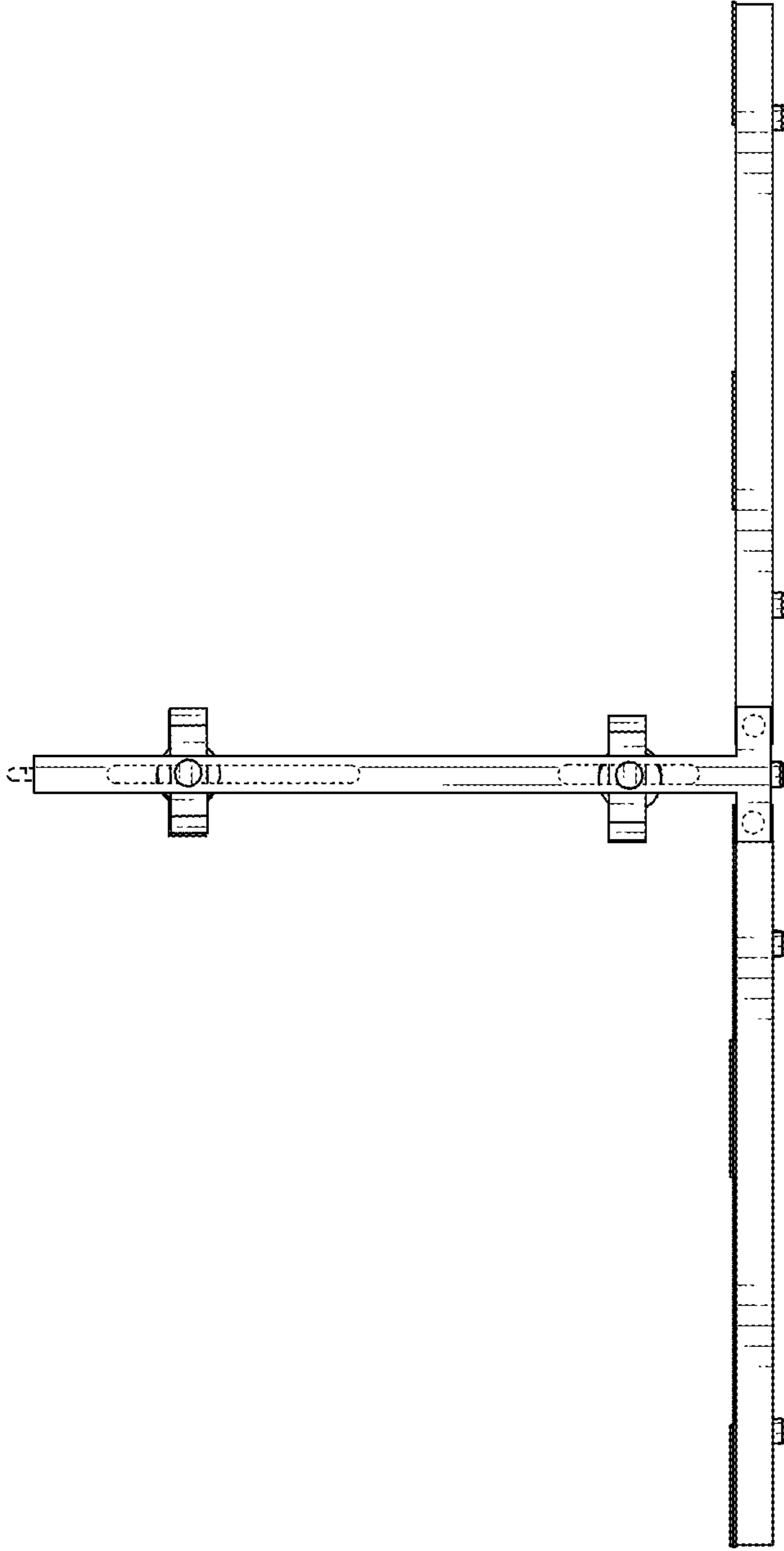


FIG. 6

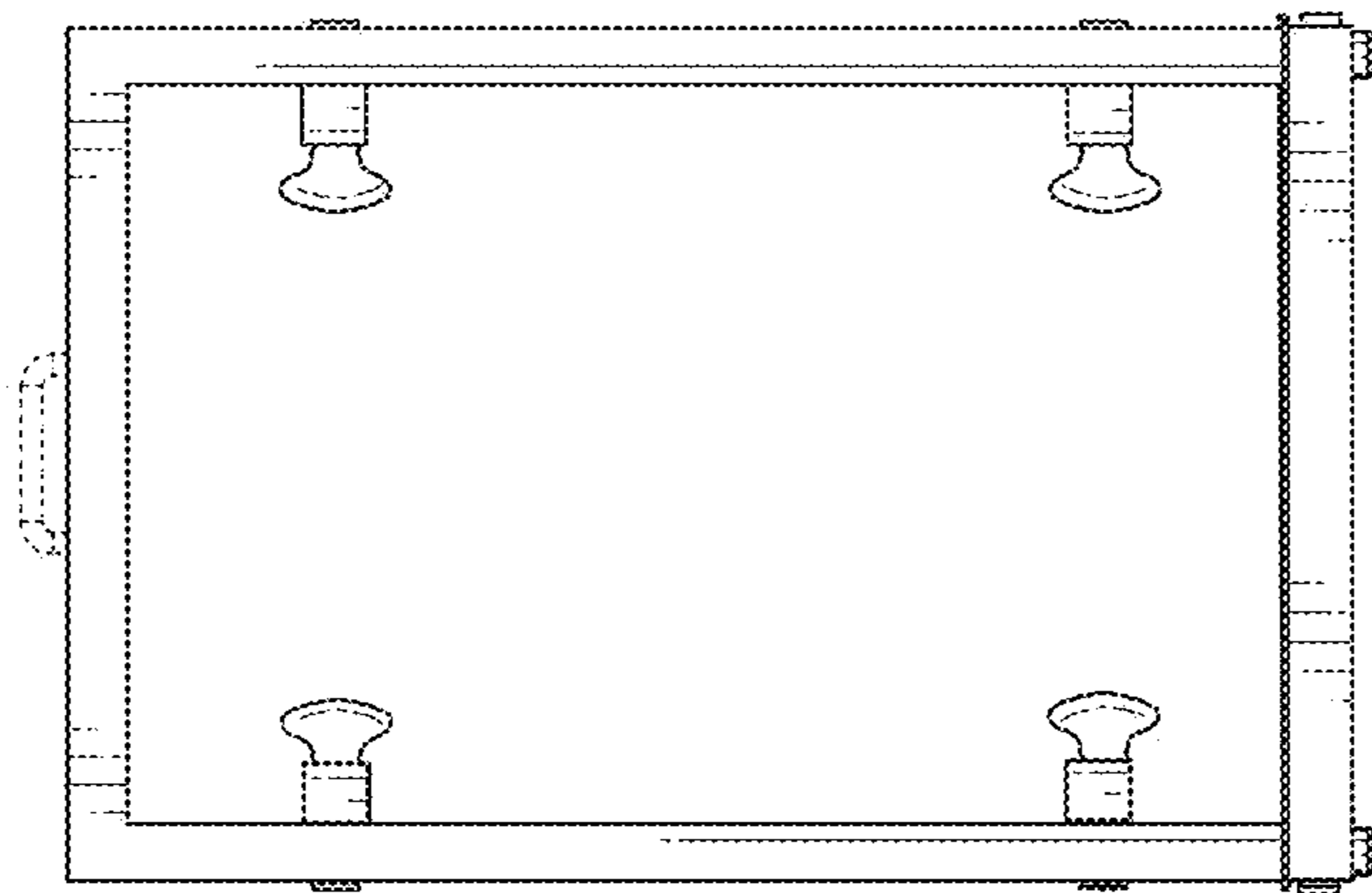


FIG. 7



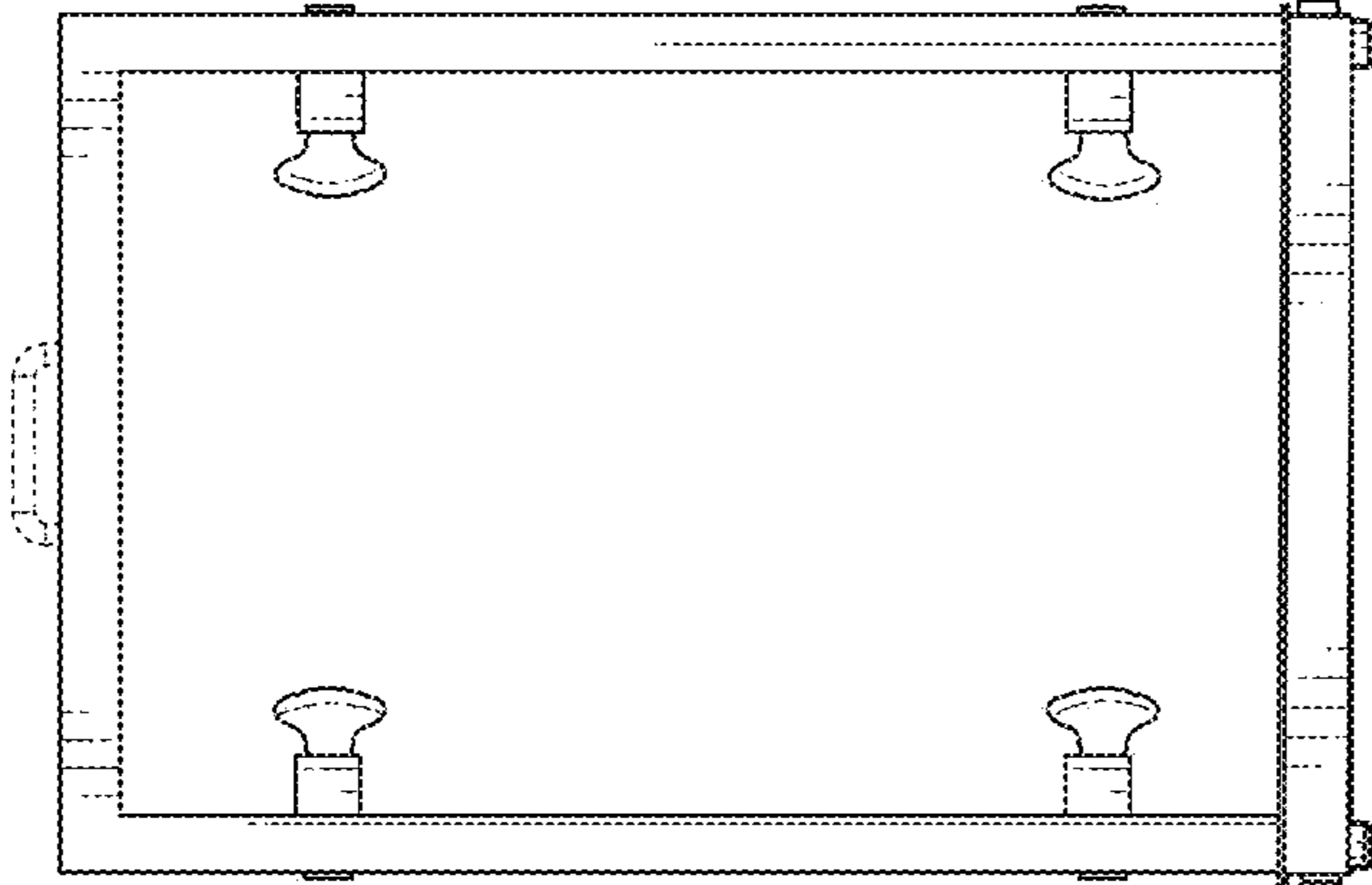


FIG. 8

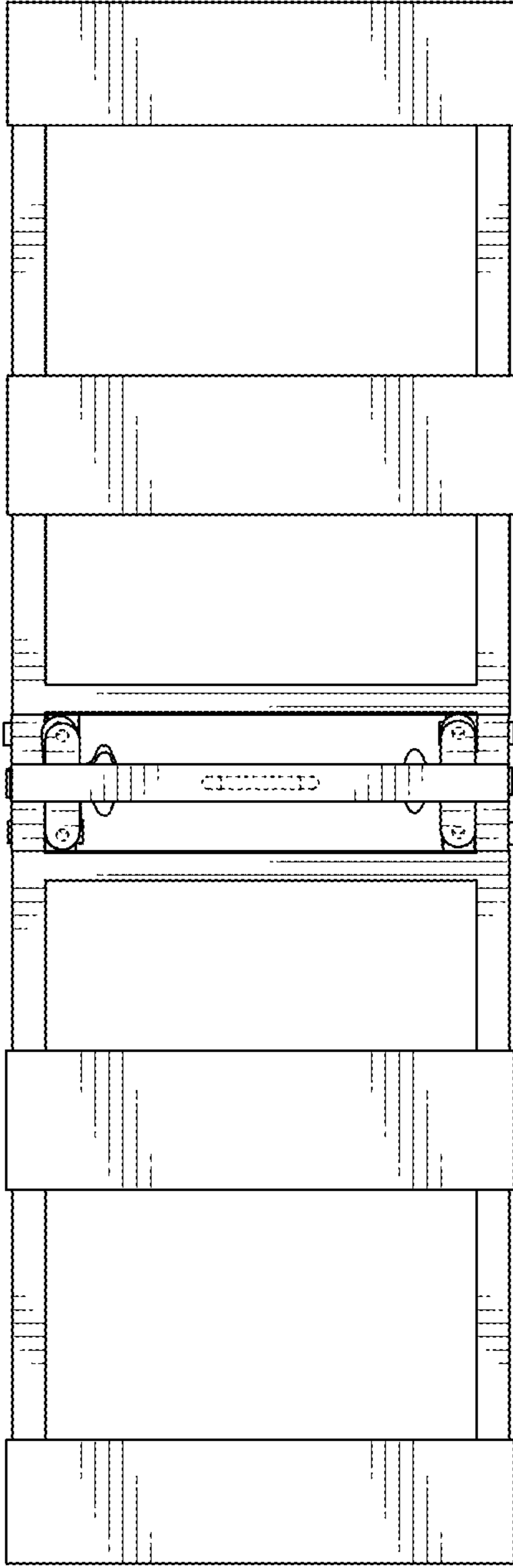


FIG. 9

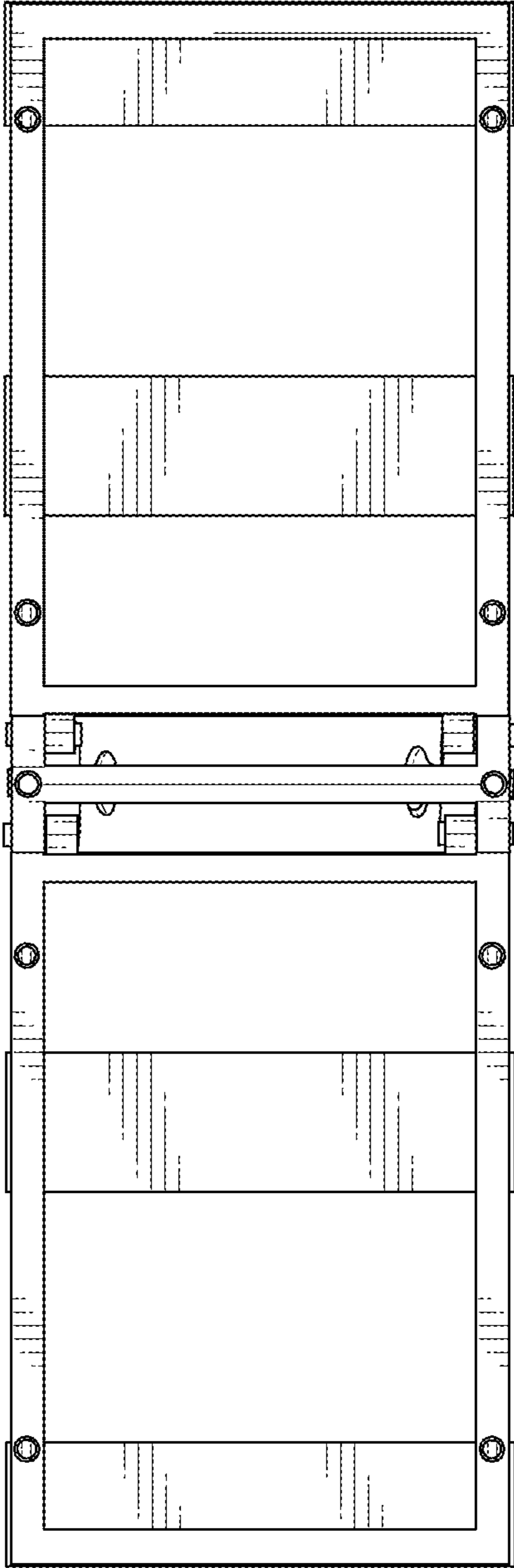


FIG. 10

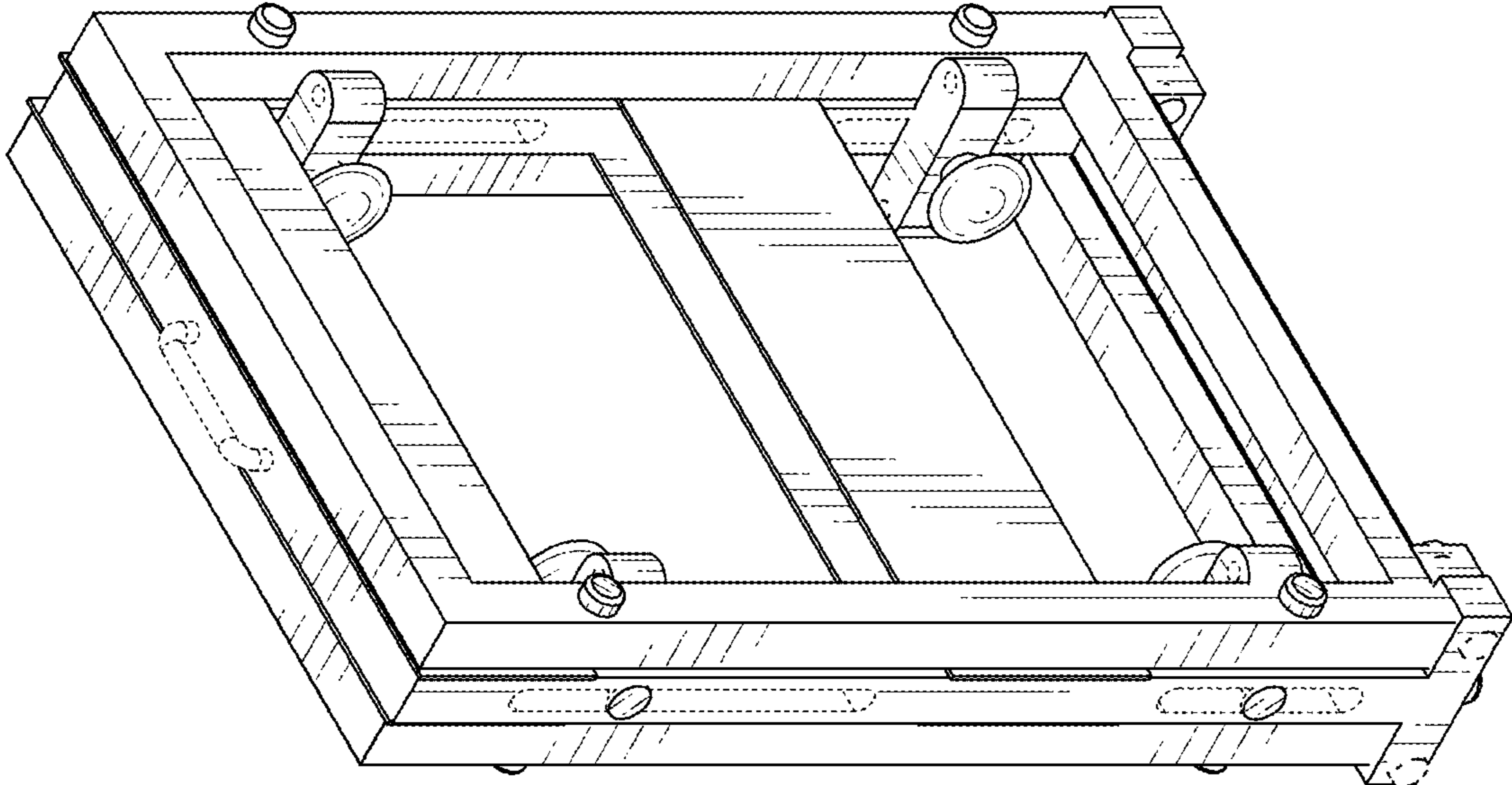


FIG. 11