



US0D1031611S

(12) **United States Design Patent**
Kuninari et al.

(10) **Patent No.:** **US D1,031,611 S**

(45) **Date of Patent:** **** Jun. 18, 2024**

(54) **WHEEL FOR A MOTOR VEHICLE**

(71) Applicant: **MAZDA MOTOR CORPORATION**,
Hiroshima (JP)

(72) Inventors: **Hiroshi Kuninari**, Hiroshima (JP);
Mitsuhiro Kumeya, Hiroshima (JP)

(73) Assignee: **MAZDA MOTOR CORPORATION**,
Hiroshima (JP)

(**) Term: **15 Years**

(21) Appl. No.: **29/830,033**

(22) Filed: **Mar. 9, 2022**

(30) **Foreign Application Priority Data**

Nov. 17, 2021 (JP) 2021-025170 D

(51) **LOC (14) Cl.** **12-16**

(52) **U.S. Cl.**
USPC **D12/211**

(58) **Field of Classification Search**
USPC D12/204–213, 501; D21/563, 779
CPC B60B 7/00; B60B 7/01; B60B 7/02; B60B
7/04; B60B 7/06; B60B 3/02; B60B 3/04;
B60B 3/06; B60B 3/10; B60B 1/00;
B60B 1/08; B60B 1/10; B60B 1/12
See application file for complete search history.

(56) **References Cited**

U.S. PATENT DOCUMENTS

D612,787 S * 3/2010 Juergens D12/209
D635,499 S * 4/2011 Nissl D12/211
D727,823 S * 4/2015 Rueckheim D12/209
D751,015 S * 3/2016 Mahoney D12/209
D780,085 S * 2/2017 Bjerke D12/209

D820,761 S * 6/2018 Badstuebner D12/211
D849,641 S * 5/2019 Tovey D12/209
D863,178 S * 10/2019 Okaji D12/209
D878,273 S * 3/2020 Tovey D12/209
D888,640 S * 6/2020 Hough D12/209
D924,113 S * 7/2021 Kaoud D12/209
D978,046 S * 2/2023 Skelley D12/209
D1,009,752 S * 1/2024 Liu D12/209

OTHER PUBLICATIONS

2024 Mazda CX-90 PHEV, Published date unavailable [online],
[retrieved on Feb. 20, 2024]. Retrieved from the Internet: <https://www.fitzmallmazdaannapolis.com/new/Mazda/2024-Mazda-CX-90-PHEV-for+sale+baltimore+maryland-4a7a231f0a0e094a70005d65d386a4bf.htm> (Year: 2024).*

* cited by examiner

Primary Examiner — Mark A Goodwin

Assistant Examiner — Adam C Mager

(74) *Attorney, Agent, or Firm* — Stuebaker & Brackett
PC

(57) **CLAIM**

The ornamental design for a wheel for a motor vehicle, as shown and described.

DESCRIPTION

FIG. 1 is a first perspective view of a wheel for a motor vehicle showing our new design;
FIG. 2 is a second perspective view thereof;
FIG. 3 is a front view thereof;
FIG. 4 is a left side view thereof, the opposite side being a mirror image of the side shown herein;
FIG. 5 is a top view thereof; and,
FIG. 6 is a bottom view thereof.

1 Claim, 3 Drawing Sheets

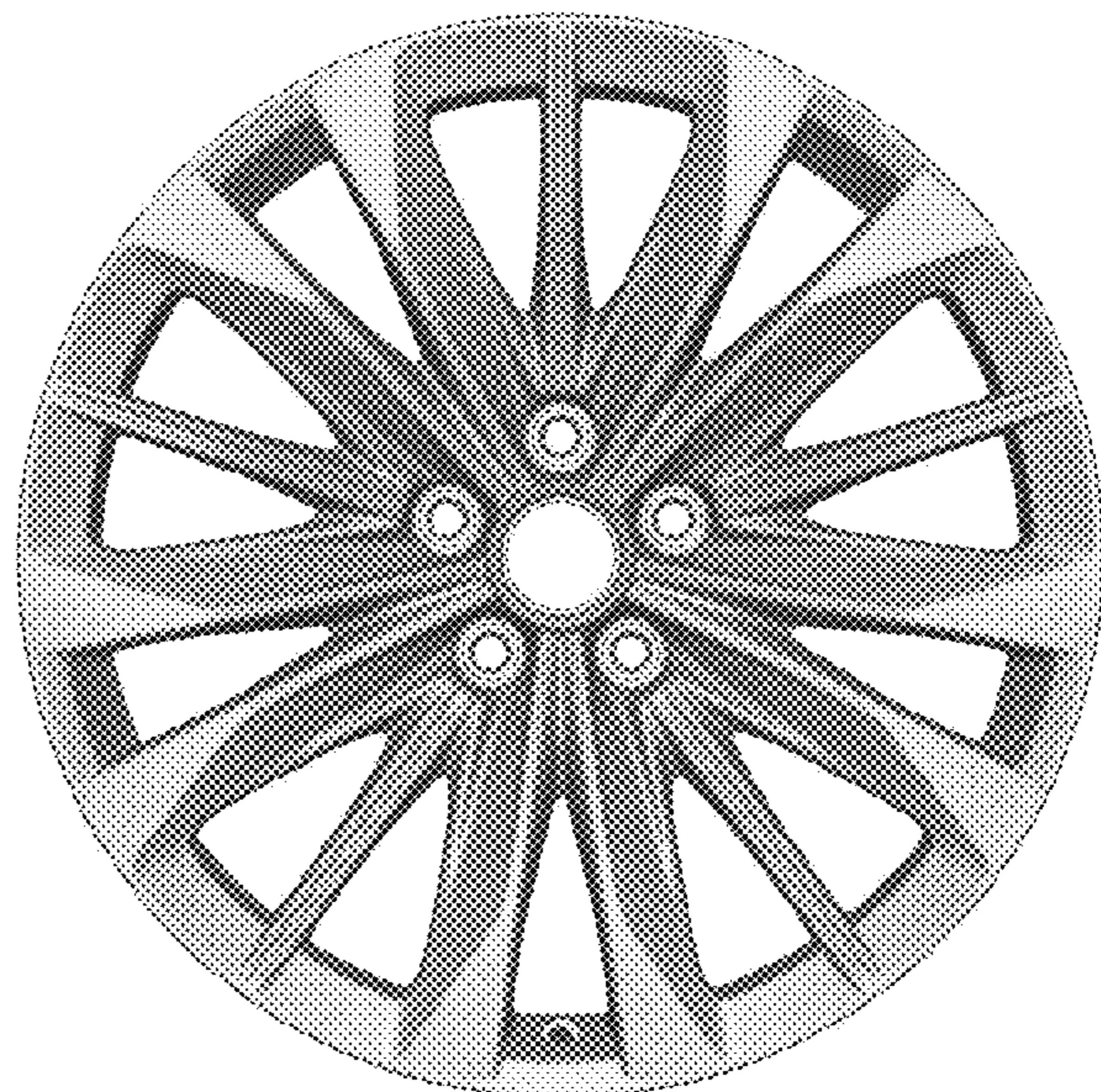
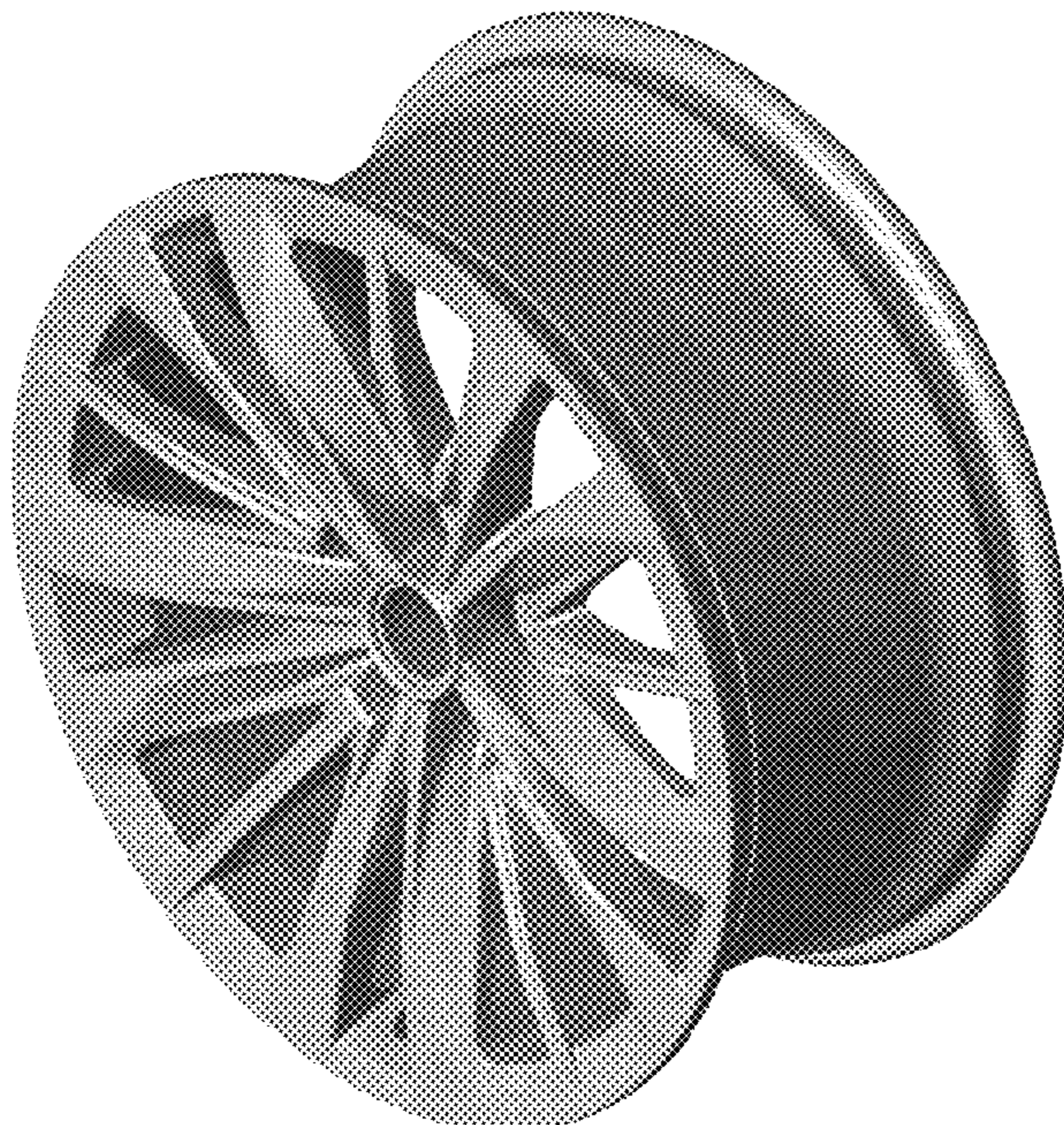




Fig.1



Fig.2



Fig.3

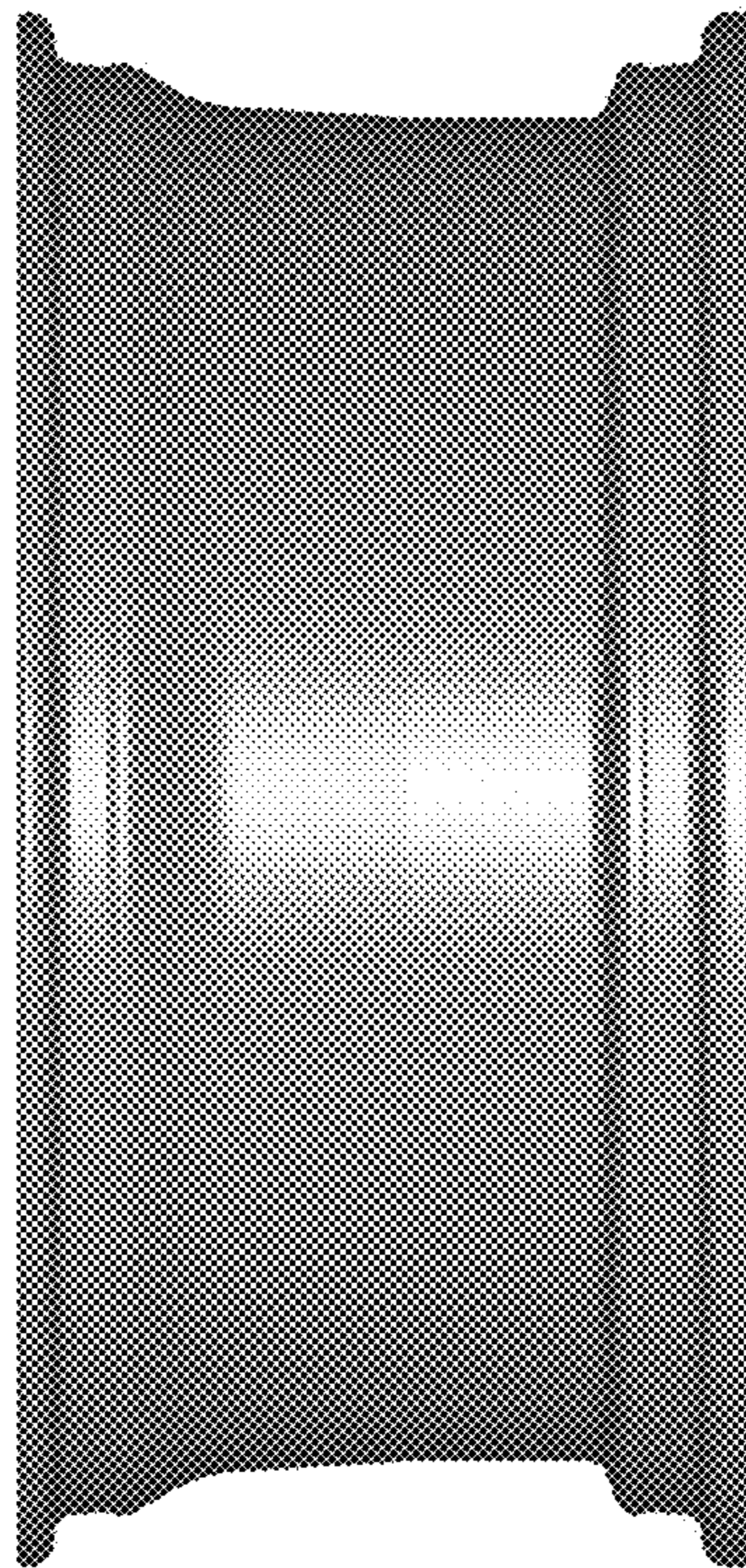


Fig.4

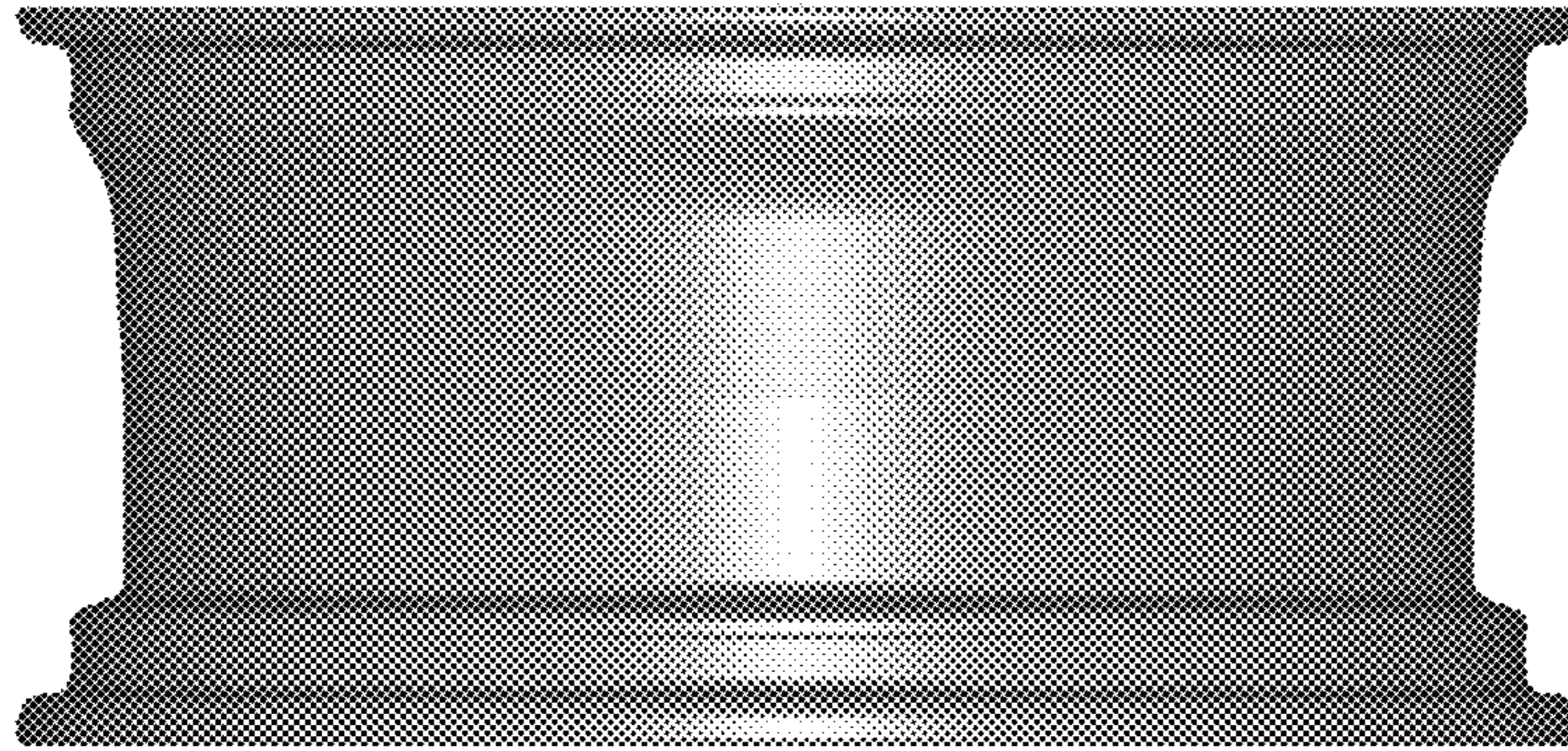


Fig. 5

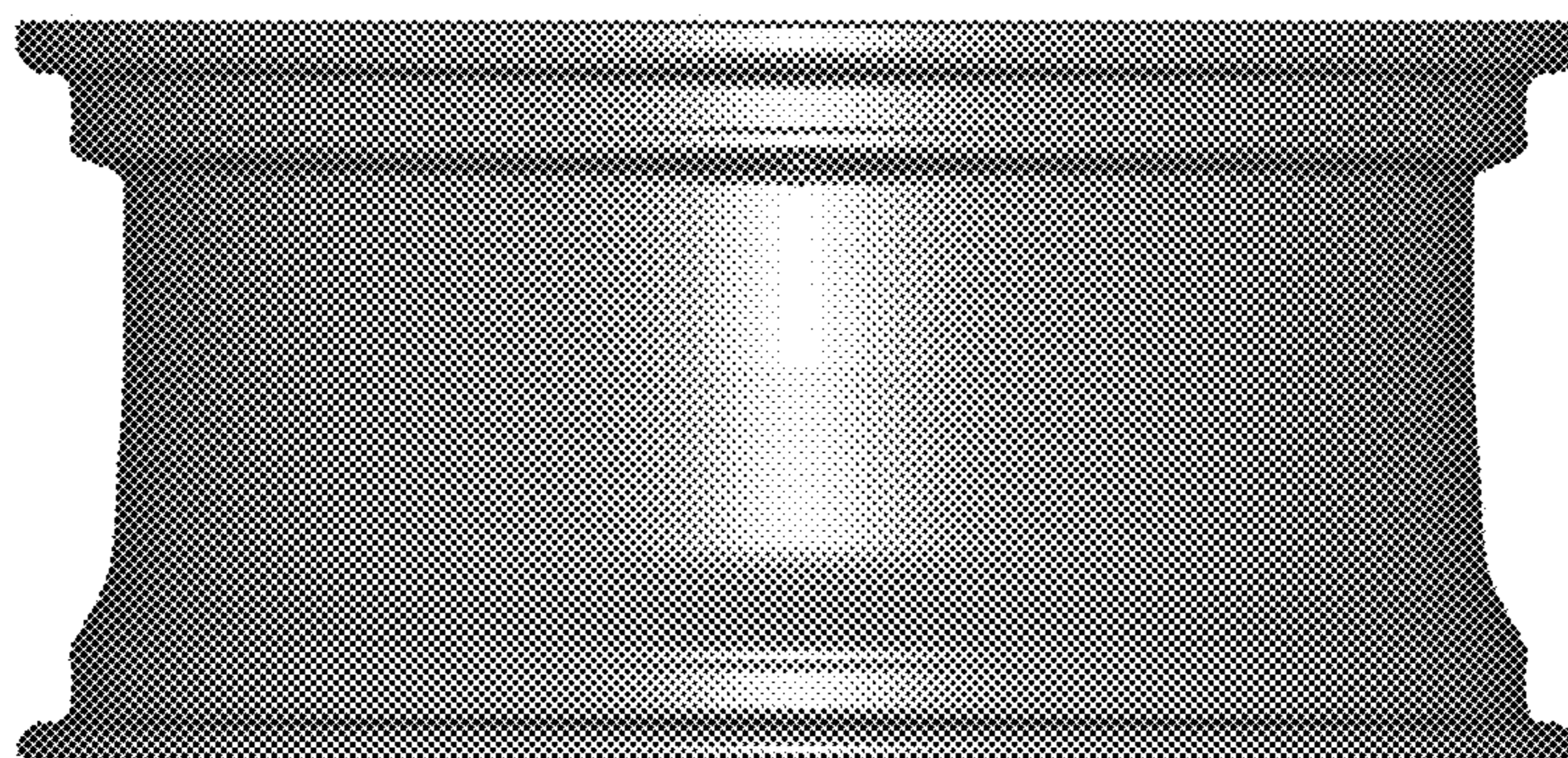


Fig. 6