



US0D1031537S

(12) **United States Design Patent** (10) **Patent No.:** **US D1,031,537 S**
Touraine et al. (45) **Date of Patent:** **** Jun. 18, 2024**

- (54) **VEHICLE GRILLE FRAME**
- (71) Applicant: **PACCAR Inc**, Bellevue, WA (US)
- (72) Inventors: **Christopher Aram Touraine**, Fort Worth, TX (US); **Jonathan Scott Duncan**, Seattle, WA (US); **Amanda Allison Koh**, Seattle, WA (US); **Eric Norman Tucker**, Denton, TX (US); **Zachary Steven Gross**, Flower Mound, TX (US)
- (73) Assignee: **PACCAR Inc**, Bellevue, WA (US)
- (**) Term: **15 Years**
- (21) Appl. No.: **29/829,252**
- (22) Filed: **Mar. 3, 2022**

Related U.S. Application Data

- (62) Division of application No. 29/733,671, filed on May 5, 2020, now Pat. No. Des. 948,388.
- (51) **LOC (14) Cl.** **12-16**
- (52) **U.S. Cl.**
USPC **D12/163**
- (58) **Field of Classification Search**
USPC D12/82, 85, 86, 87, 88, 89, 90, 91, 92, D12/93, 96, 97, 98, 99, 163, 164, 165, D12/166, 167, 169, 170, 171, 172, 173, D12/181, 190, 196, 216; D21/533, 548, D21/552, 561
CPC B60R 19/00; B60R 19/02; B60R 19/04; B60R 19/18; B60R 19/24; B60R 19/26; B60R 19/52; B60R 19/56; B60R 2019/525; B60R 2019/527; B60K 11/08; B60K 11/085; B62D 25/08

See application file for complete search history.

(56) **References Cited**

U.S. PATENT DOCUMENTS

D29,156 S 8/1898 Caldwell
1,475,062 A 11/1923 Fulk

(Continued)

OTHER PUBLICATIONS

Kenworth T480V, Published Jun. 8, 2021 [online], [retrieved on 2022-XX-XX]. Retrieved from the Internet: <https://www.instagram.com/p/CP317UMnQvL/> (Year: 2021).*

(Continued)

Primary Examiner — Cary M Robinson
Assistant Examiner — Adam C Mager
(74) *Attorney, Agent, or Firm* — SEED IP LAW GROUP LLP

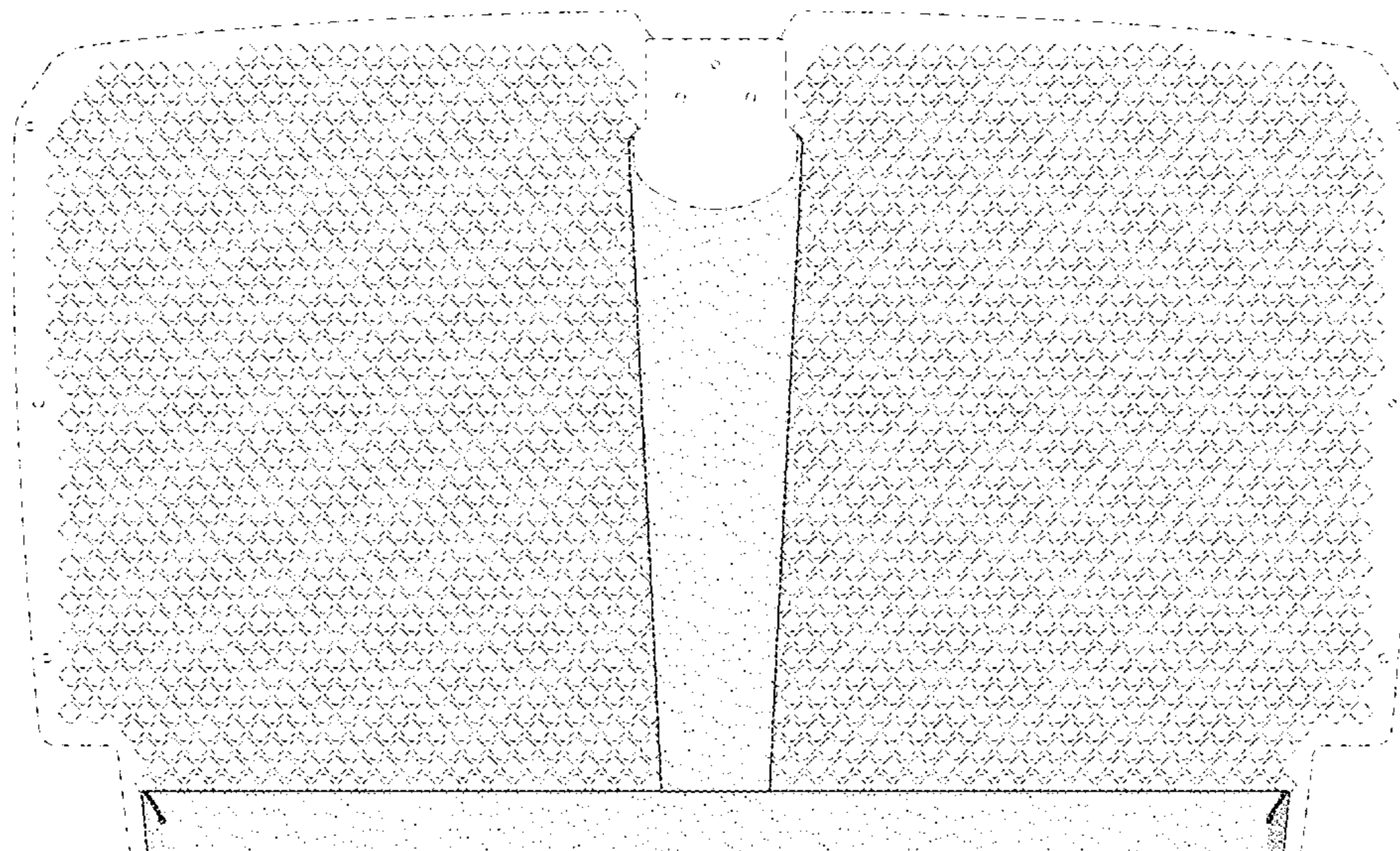
(57) **CLAIM**

The ornamental design for a vehicle grille frame, as shown and described.

DESCRIPTION

FIG. 1 is a front elevational view of a vehicle grille frame, showing our new design.
FIG. 2 is a top perspective view thereof with an environmental grille mesh shown in FIG. 1 removed for clarity.
FIG. 3 is a bottom isometric view thereof.
FIG. 4 is a front elevational view thereof.
FIG. 5 is a rear elevational view thereof.
FIG. 6 is a left side elevational view thereof.
FIG. 7 is a right side elevational view thereof.
FIG. 8 is a top plan view thereof; and,
FIG. 9 is a bottom plan view thereof.
Stippling in the drawings represents the three-dimensional contours of the design, and is not intended to indicate surface decoration. The broken lines shown in the drawings depict portions of the vehicle grille frame or environment that form no part of the claimed design. The dash-dot broken lines define the boundaries of the claim and form no part of the claimed design.

1 Claim, 7 Drawing Sheets



(56)

References Cited

U.S. PATENT DOCUMENTS

1,811,527	A	6/1931	Young	
D145,414	S	8/1946	Allen	
2,468,809	A	5/1949	Brock et al.	
D175,191	S *	7/1955	Ross	D12/190
D275,272	S	8/1984	Bossinas	
D311,711	S	10/1990	Marlowe et al.	
D395,860	S	7/1998	Meryman et al.	
D405,037	S *	2/1999	Meryman	D12/163
D411,140	S	6/1999	Meryman et al.	
D412,874	S *	8/1999	Meryman	D12/163
D522,935	S	6/2006	Marchese et al.	
D530,247	S *	10/2006	Angelo	D12/163
D539,704	S	4/2007	Angelo et al.	
D545,251	S	6/2007	Angelo et al.	
D545,735	S	7/2007	Angelo et al.	
D551,133	S *	9/2007	Angelo	D12/163
D560,571	S	1/2008	Rester	
7,464,984	B1	12/2008	McDaniel	
D631,800	S *	2/2011	Peltola	D12/163
D640,175	S	6/2011	Villamizar et al.	
D647,827	S	11/2011	Medina et al.	
D647,828	S	11/2011	Medina et al.	
D708,989	S *	7/2014	Peltola	D12/163
D710,765	S	8/2014	Conway et al.	
D770,335	S	11/2016	Walterscheid et al.	
D786,742	S	5/2017	Ito et al.	
D787,384	S	5/2017	Ito et al.	
D790,410	S	6/2017	Ito et al.	
D795,144	S	8/2017	Leetz	
D802,503	S	11/2017	Leetz	
D835,011	S *	12/2018	Peltola	D12/163
D860,878	S	9/2019	Ito et al.	
D869,351	S *	12/2019	Duncan	D12/163
D869,352	S *	12/2019	Duncan	D12/163
D905,606	S	12/2020	Duncan et al.	
D906,902	S *	1/2021	Duncan	D12/163
D910,502	S *	2/2021	Duncan	D12/163
D926,642	S	8/2021	Duncan et al.	
D948,388	S	4/2022	Touraine et al.	
D976,165	S *	1/2023	Hjorten	D12/163
2013/0069385	A1	3/2013	Cunagin	

OTHER PUBLICATIONS

“220EV,” Peterbilt Motors Company, 2020, 5-page brochure.
 “567 Heritage,” Peterbilt Motors Company, 2017, 2-page brochure.
 “AeroCab,” Kenworth Truck Company, as early as 1995, 3-page brochure.
 “C500,” Kenworth Truck Company, 2012, 2-page brochure.
 “C500B,” Kenworth Truck Company, as early as 1990, 4-page brochure.
 “Class Pays,” Peterbilt Motors Company, Nov. 1998, 10-page brochure.
 “Class Pays, Construction Trucks,” Peterbilt Motors Company, Nov. 2003, 16-page brochure.
 “Class Pays, Truck Models,” Peterbilt Motors Company, 2005, 24-page brochure.
 “K270/K370,” Kenworth Truck Company, 2014, 12-page brochure.
 “K270E/K370E,” Kenworth Truck Company, 2020, 4-page brochure.
 Kenworth, Published on Apr. 5, 2021 [online], [retrieved on Jun. 19, 2021]. Retrieved from the Internet: <https://www.kenworth.com/about-us/news/kenworth-launches-new-medium-duty-product-lineup/>, 2021.
 “Kenworth Truck Models,” Kenworth Truck Company, 2010, 16-page brochure.
 Kenworth Truck Company, “AeroCab,” 1993, 6-page brochure.
 Kenworth Truck Company, “W900L AeroCab,” 1994, 2-page brochure.

“Medium Duty,” Peterbilt Motors Company, 2013, 9-page brochure.
 “Model 220,” Peterbilt Motors Company, 2019, 2-page brochure.
 “Model 325,” Peterbilt Motors Company, <<https://www.peterbilt.com/trucks/medium-duty/model-325>>, retrieved Nov. 20, 2020. (12 pages).
 “Model 337,” Peterbilt Motors Company, 2020, 2-page brochure.
 “Model 348,” Peterbilt Motors Company, 2019, 2-page brochure.
 “Model 365,” Peterbilt Motors Company, <<https://www.peterbilt.com/trucks/vocational/model-365>>, retrieved Nov. 20, 2020. (11 pages).
 “Model 367,” Peterbilt Motors Company, <<https://www.peterbilt.com/trucks/vocational/model-367>>, retrieved Nov. 20, 2020. (2 pages).
 “Model 389,” Peterbilt Motors Company, 2019, 2-page brochure.
 “Model 520,” Peterbilt Motors Company, 2019, 2-page brochure.
 “Model 567,” Peterbilt Motors Company, 2020, 16-page brochure.
 “Model 579,” Peterbilt Motors Company, Oct. 2013, 13-page brochure.
 “Model 579,” Peterbilt Motors Company, 2019, 28-page brochure.
 “On-Highway,” Peterbilt Motors Company, 2013, 13-page brochure.
 Peterbilt Motors Company, “Class Pays,” Sep. 1997, 10-page brochure.
 Peterbilt Motors Company, “Class Pays, Medium Duty,” Sep. 2000, 12-page brochure.
 Peterbilt Motors Company, “Model 330,” Oct. 1997, 3-page brochure.
 Peterbilt Motors Company, “Model 379,” Mar. 1996, 5-page brochure.
 Peterbilt Motors Company, “Model 379,” Apr. 2005, 2-page brochure.
 Peterbilt Motors Company, “Rest with Class,” Apr. 1978, 4-page brochure.
 Peterbilt Motors Company, “The Working Class,” Sep. 1976, 6-page brochure.
 “T170 Class 5,” Kenworth Truck Company, 2008, 4-page brochure.
 “T170/T270/T370,” Kenworth Truck Company, 2019, 16-page brochure.
 “T270 Class 6 and T370 Class 7,” Kenworth Truck Company, 2008, 6-page brochure.
 “T270 Class 6 and T370 Class 7,” Kenworth Truck Company, 2009, 6-page brochure.
 “T270 Class 6 and T370 Class 7 Hybrid,” Kenworth Truck Company, 2009, 6-page brochure.
 “T440,” Kenworth Truck Company, 2010, 6-page brochure.
 “T440/T470,” Kenworth Truck Company, 2015, 8-page brochure.
 “T470,” Kenworth Truck Company, 2010, 6-page brochure.
 “T470H,” Kenworth Truck Company, 2009, 2-page brochure.
 “T680,” Kenworth Truck Company, 2013, 34-page brochure.
 “T680,” Kenworth Truck Company, 2016, 34-page brochure.
 “T680,” Kenworth Truck Company, 2019, 40-page brochure.
 “T800,” Kenworth Truck Company, 2002, 32-page brochure.
 “T800,” Kenworth Truck Company, 2003, 32-page brochure.
 “T800,” Kenworth Truck Company, 2005, 28-page brochure.
 “T800,” Kenworth Truck Company, 2009, 28-page brochure.
 “T800,” Kenworth Truck Company, 2012, 28-page brochure.
 “T800B,” Kenworth Truck Company, 1993, 8-page brochure.
 “T880,” Kenworth Truck Company, 2017, 32-page brochure.
 “T880,” Kenworth Truck Company, 2019, 36-page brochure.
 “The World’s Best,” Kenworth Truck Company, 1992, 12-page brochure.
 “Vocational,” Peterbilt Motors Company, 2013, 11-page brochure.
 “W900,” Kenworth Truck Company, 1996, 7-page brochure.
 “W900,” Kenworth Truck Company, 2002, 32-page brochure.
 “W900,” Kenworth Truck Company, 2005, 32-page brochure.
 “W900,” Kenworth Truck Company, 2009, 28-page brochure.
 “W990,” Kenworth Truck Company, 2018, 32-page brochure.

* cited by examiner

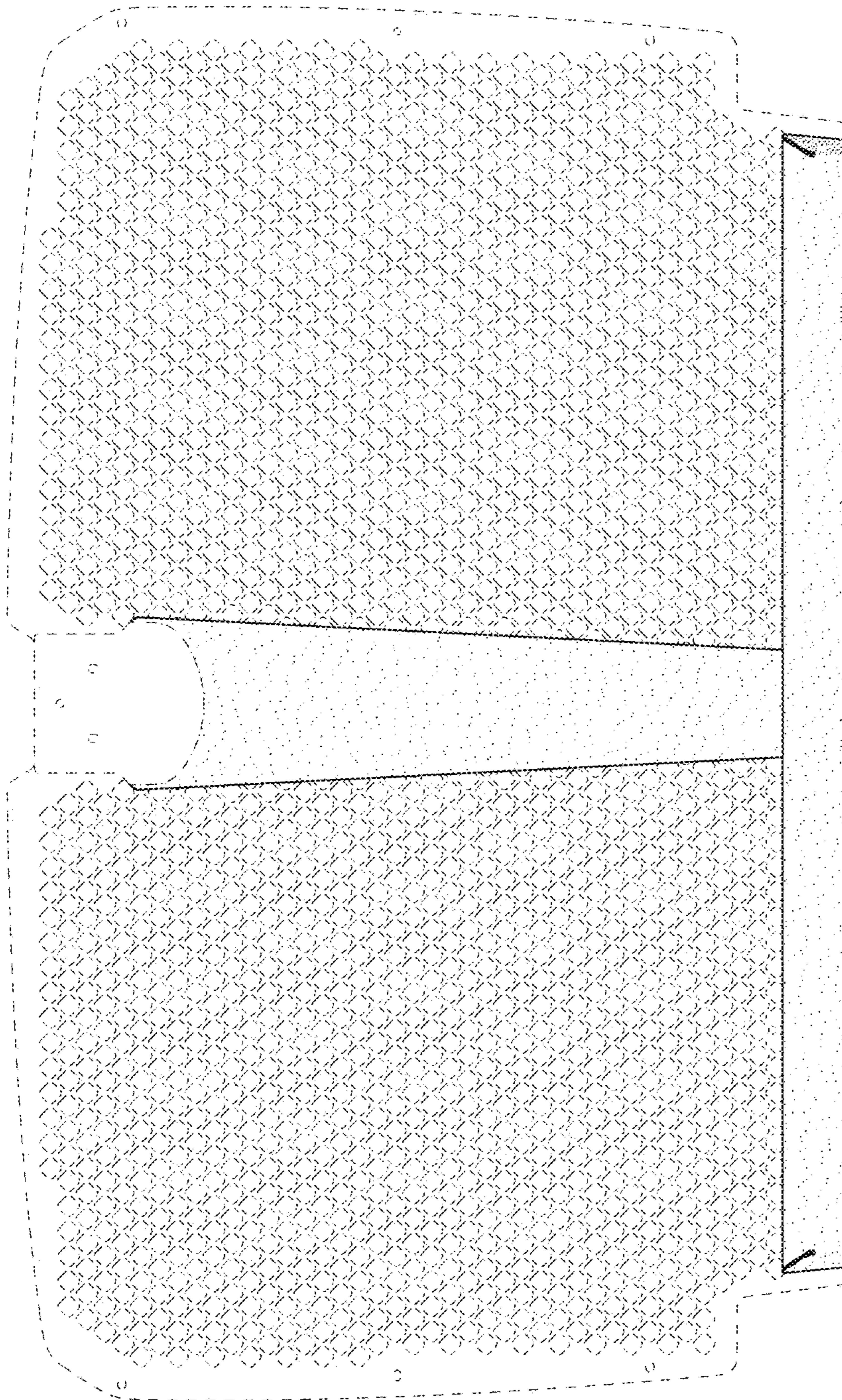


FIG. 1

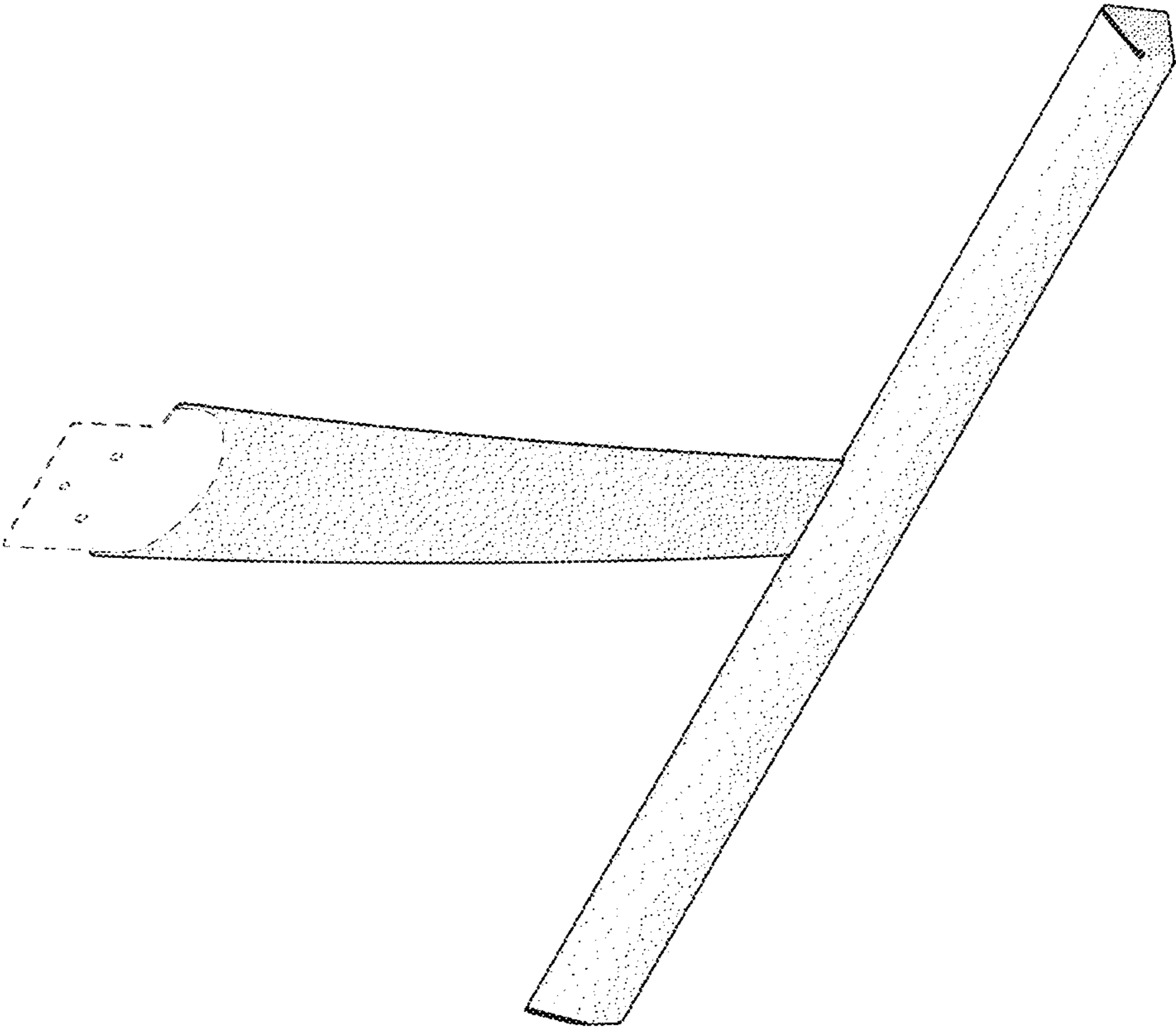


FIG. 2

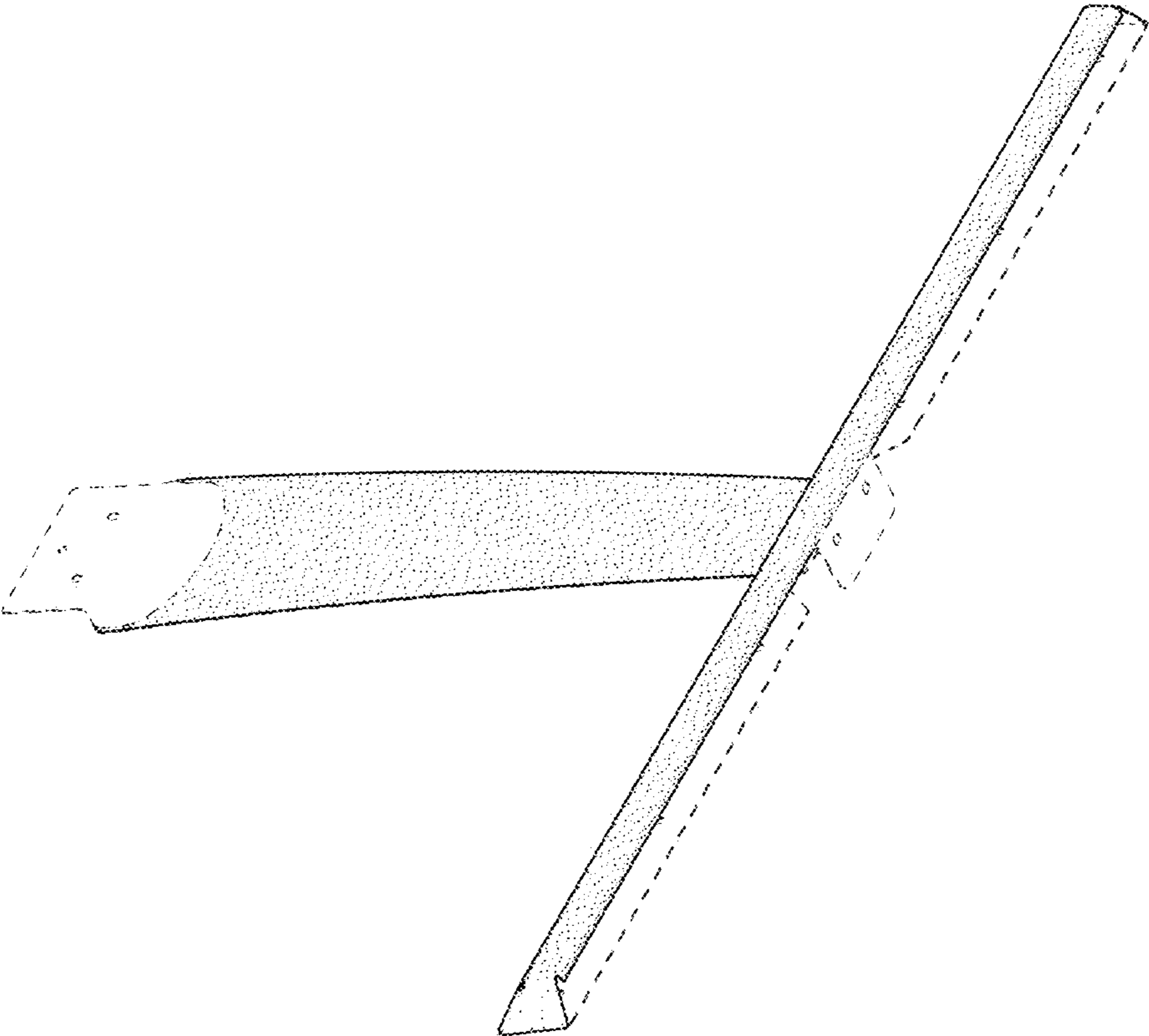


FIG. 3

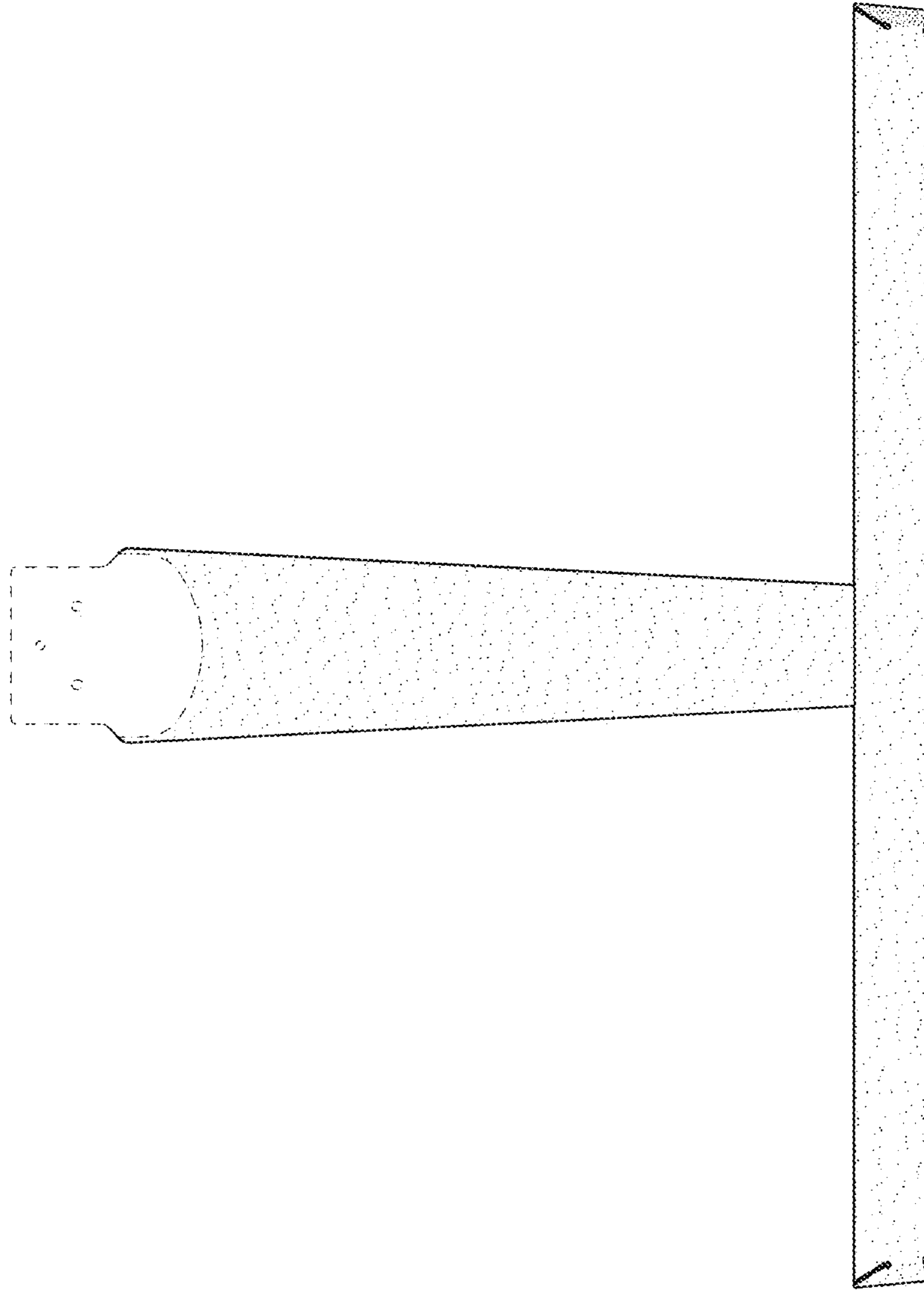


FIG. 4

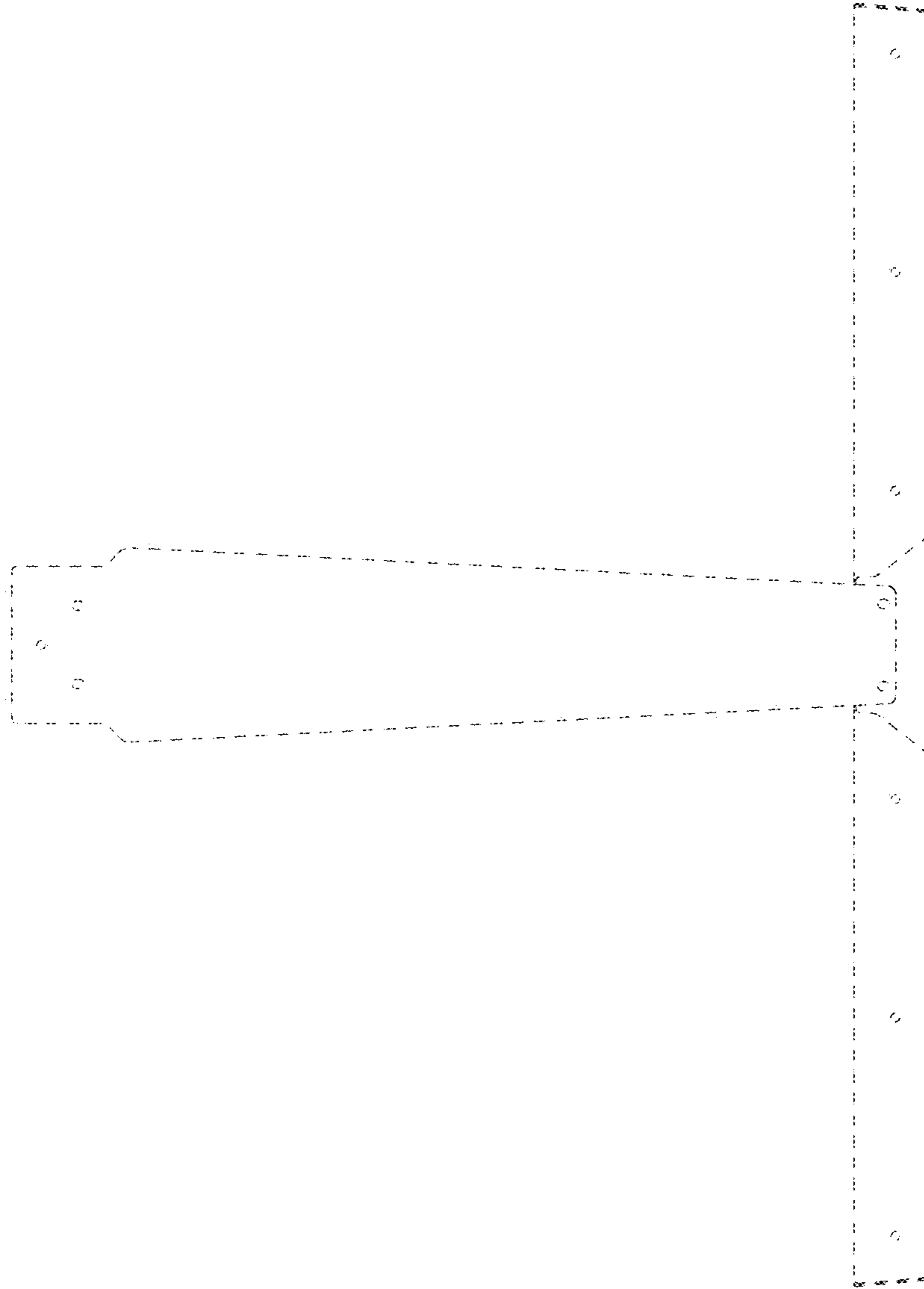


FIG. 5

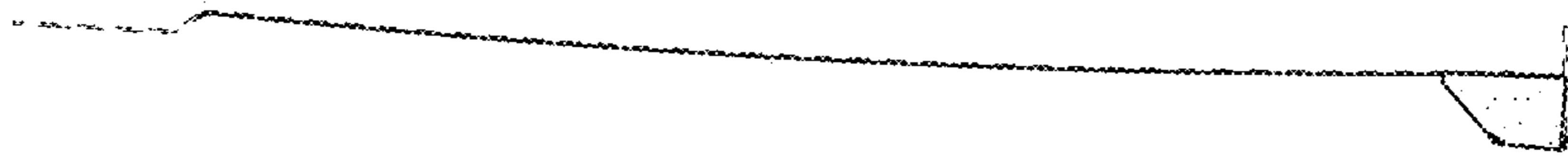


FIG. 6

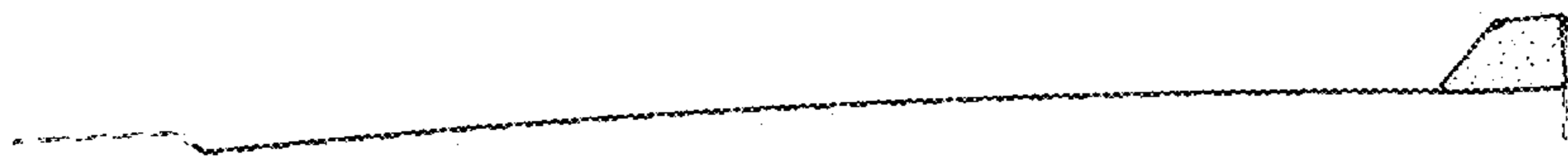


FIG. 7

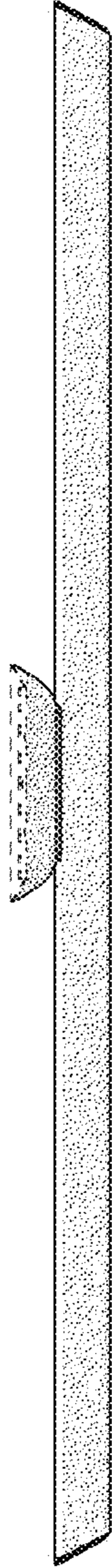


FIG. 8

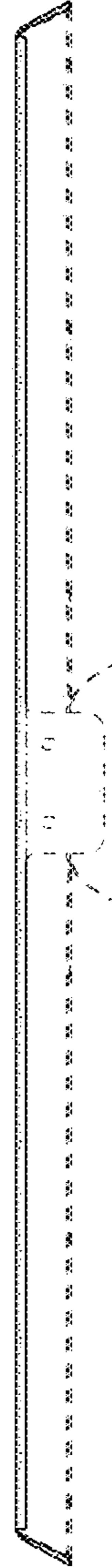


FIG. 9