



US0D1031506S

(12) **United States Design Patent** (10) **Patent No.:** **US D1,031,506 S**
Deng (45) **Date of Patent:** **** Jun. 18, 2024**

(54) **STRAP BUCKLE**
(71) Applicant: **Shenzhen Xinfeifan Photographic Equipment Co., LTD, Shenzhen (CN)**
(72) Inventor: **Jincheng Deng, Shanwei (CN)**
(73) Assignee: **Shenzhen Xinfeifan Photographic Equipment Co., LTD, Shenzhen (CN)**

D706,166 S * 6/2014 Kearl D11/221
D868,564 S * 12/2019 Moreau D8/343
D875,601 S * 2/2020 Wooters D11/221
D896,684 S * 9/2020 Fayena D11/86
D920,159 S 5/2021 Power, II et al.
D1,011,729 S * 1/2024 Tsai D3/215
D1,019,464 S * 3/2024 Qiu D11/200
2003/0135966 A1 * 7/2003 Tejima A44B 11/266
24/615
2022/0011654 A1 * 1/2022 Ruckman G03B 17/561

(**) Term: **15 Years**

(21) Appl. No.: **29/919,255**

(22) Filed: **Dec. 2, 2023**

(51) **LOC (14) Cl.** **02-07**

(52) **U.S. Cl.**
USPC **D11/200**

(58) **Field of Classification Search**
USPC D11/87, 94, 200, 201, 208–210, 212,
D11/214–216, 218, 220, 221, 228;
D2/641
CPC A44B 11/00; A44B 11/02; A44B 11/04;
A44B 11/18; A44B 11/2557; A44B
11/2519; A44B 13/0017; A44B 13/0023;
A44B 13/0058

See application file for complete search history.

(56) **References Cited**

U.S. PATENT DOCUMENTS

D254,996 S * 5/1980 Lonnstedt D29/122
D255,058 S * 5/1980 Lonnstedt D29/122
D320,367 S * 10/1991 Kalbach D11/221
D324,355 S * 3/1992 Takemura D11/221
D355,147 S * 2/1995 Frano D11/221
D563,214 S * 3/2008 Yoshie D8/383
D567,642 S * 4/2008 Tamura D8/383
D568,148 S * 5/2008 Tamura D8/383
D597,824 S * 8/2009 Wang D8/356

OTHER PUBLICATIONS

Keyport ParaPull, first available Oct. 21, 2021, amazon.com, [online], [site visited Apr. 4, 2024], Available from the internet URL: <https://www.amazon.com/Keyport-ParaPull-5-Pack-Black-Replacement/dp/B09K24RRTM/> (Year: 2021).*

* cited by examiner

Primary Examiner — Catherine S Posthauer
Assistant Examiner — Amina Rahman
(74) *Attorney, Agent, or Firm* — Nitin Kaushik

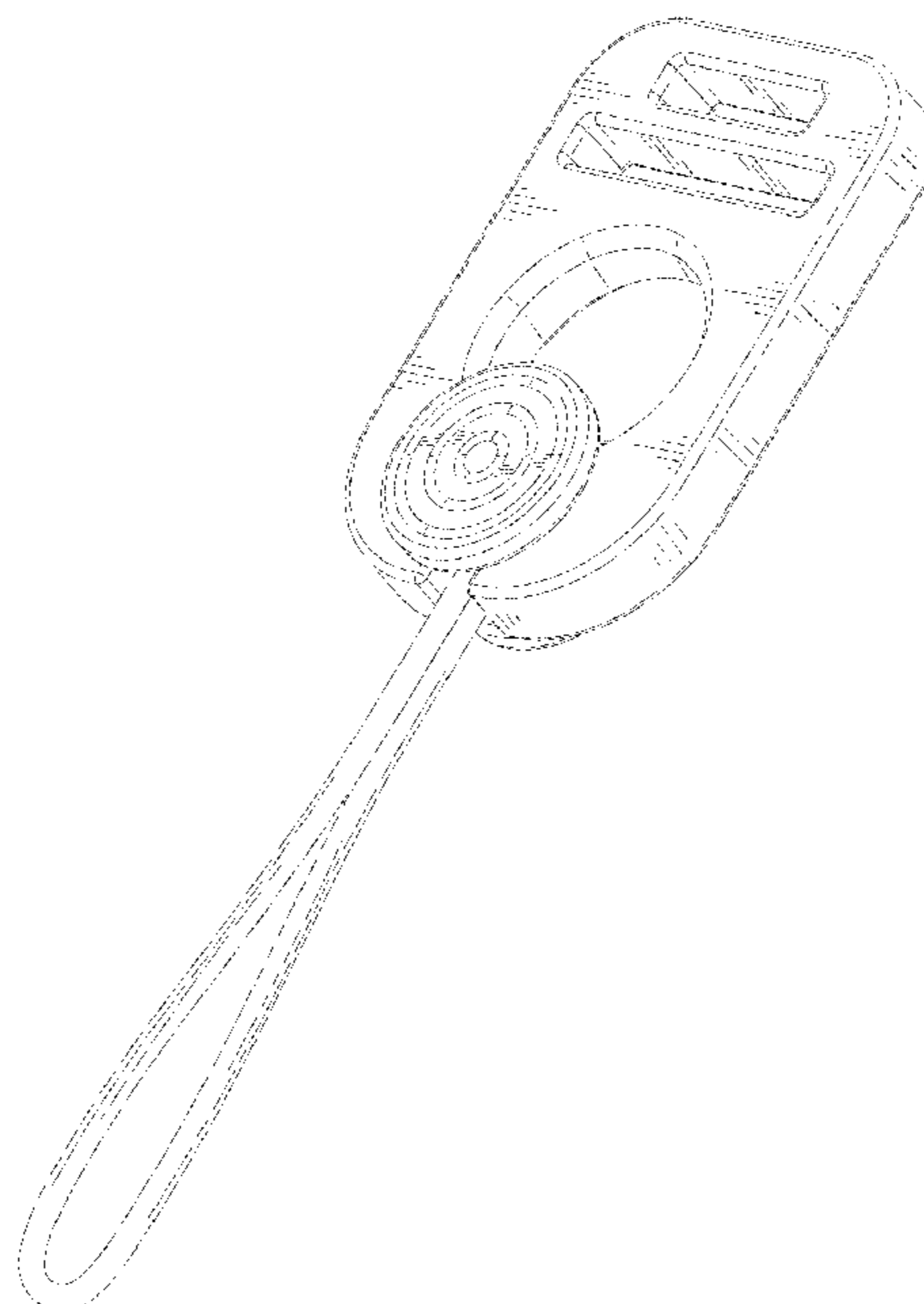
(57) **CLAIM**

The ornamental design for a strap buckle, as shown and described.

DESCRIPTION

FIG. 1 is a front, bottom and right side perspective view of a strap buckle, showing my new design;
FIG. 2 is an exploded perspective view thereof;
FIG. 3 is a front view of FIG. 1 thereof;
FIG. 4 is a rear view thereof;
FIG. 5 is a left side view thereof;
FIG. 6 is a right side view thereof;
FIG. 7 is a top view thereof; and,
FIG. 8 is a bottom view thereof.

1 Claim, 8 Drawing Sheets



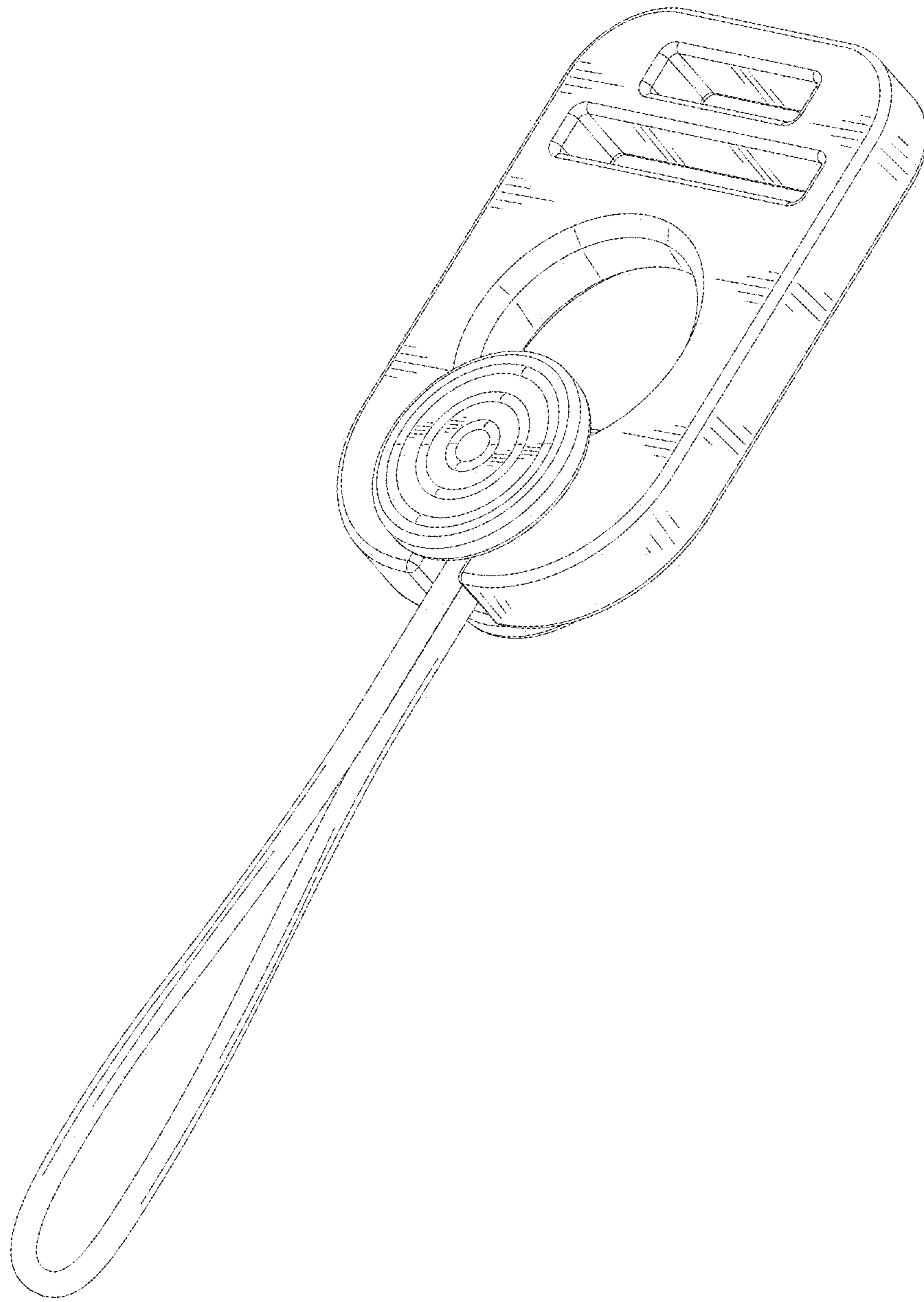


FIG. 1

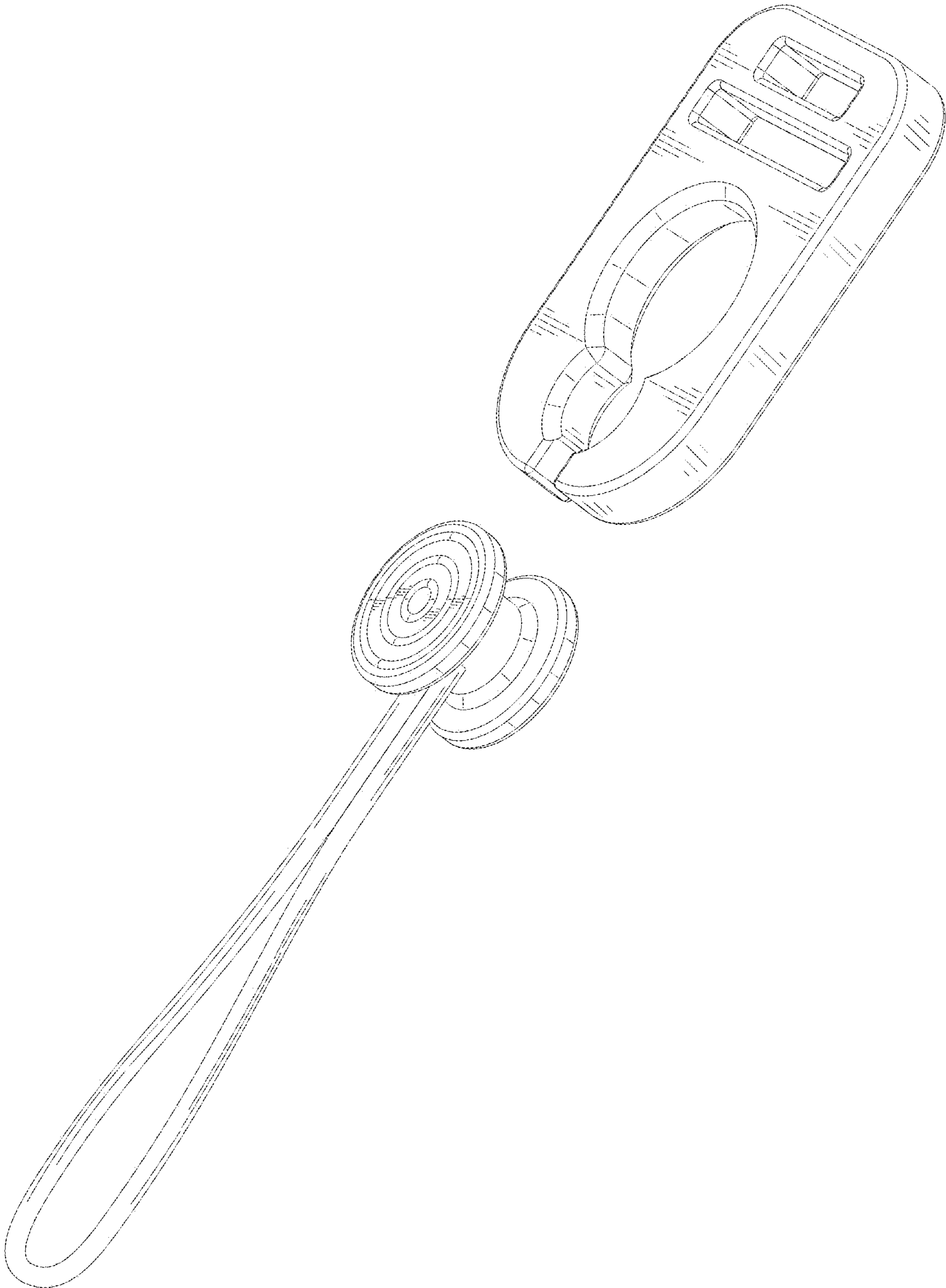


FIG. 2

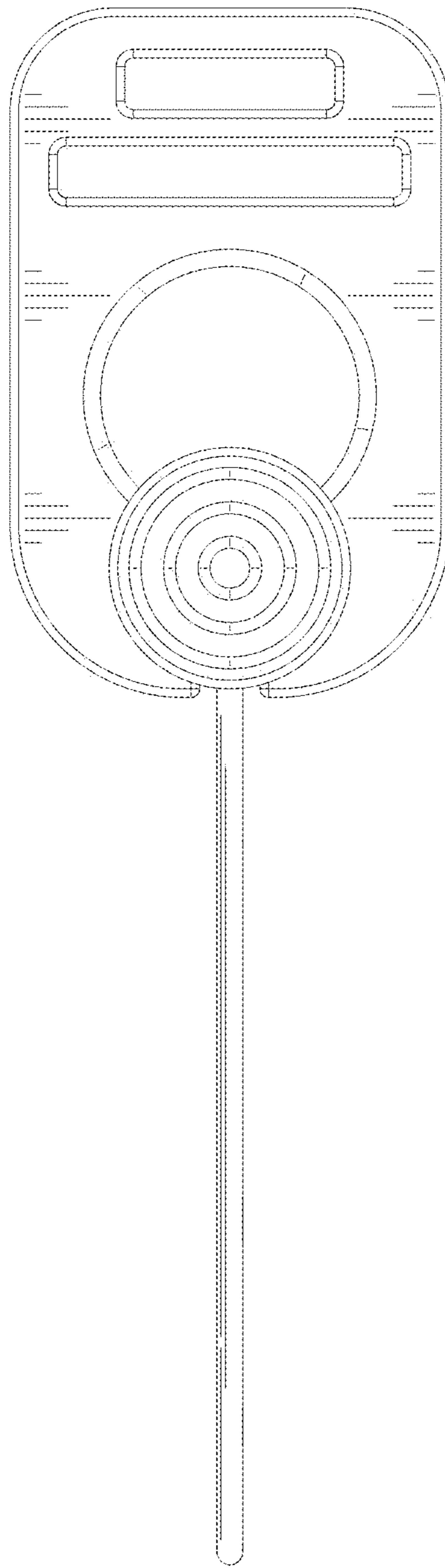


FIG. 3

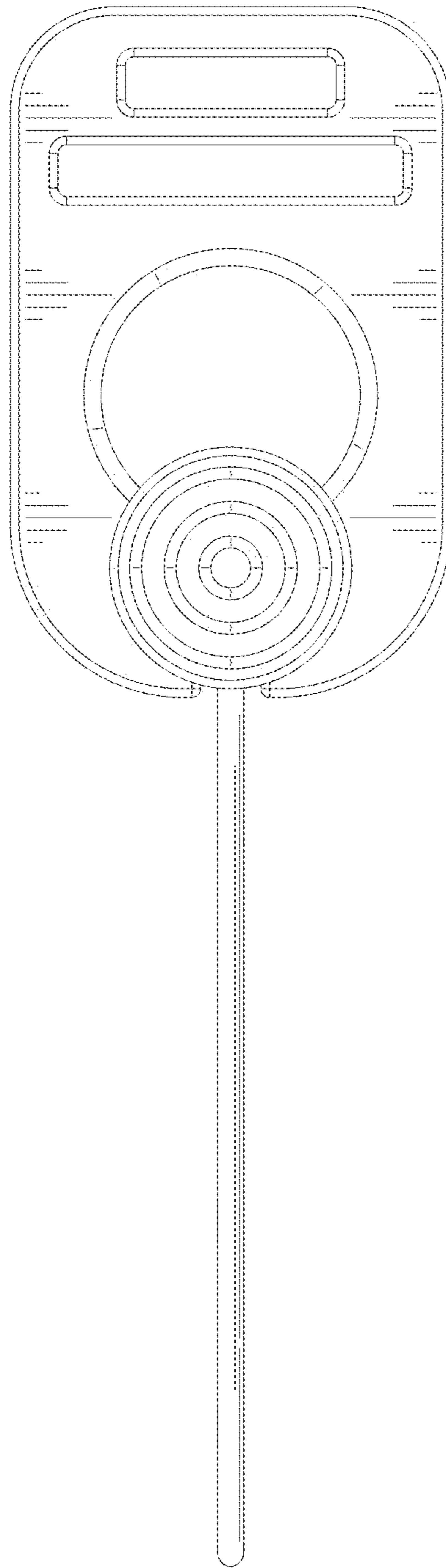


FIG. 4

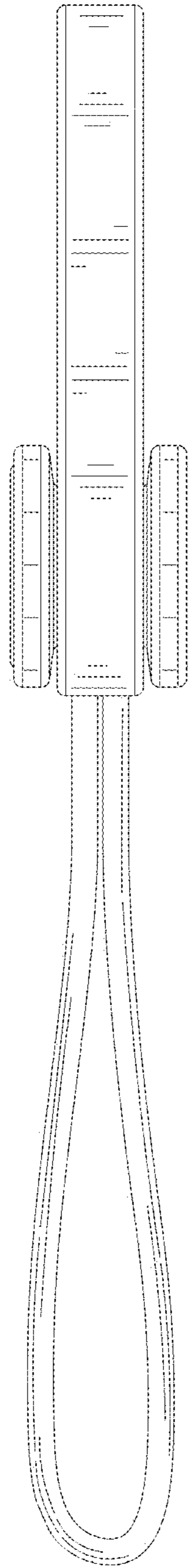


FIG. 5

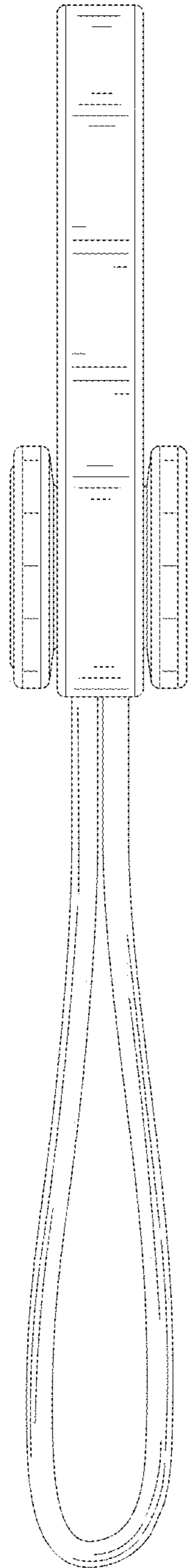


FIG. 6

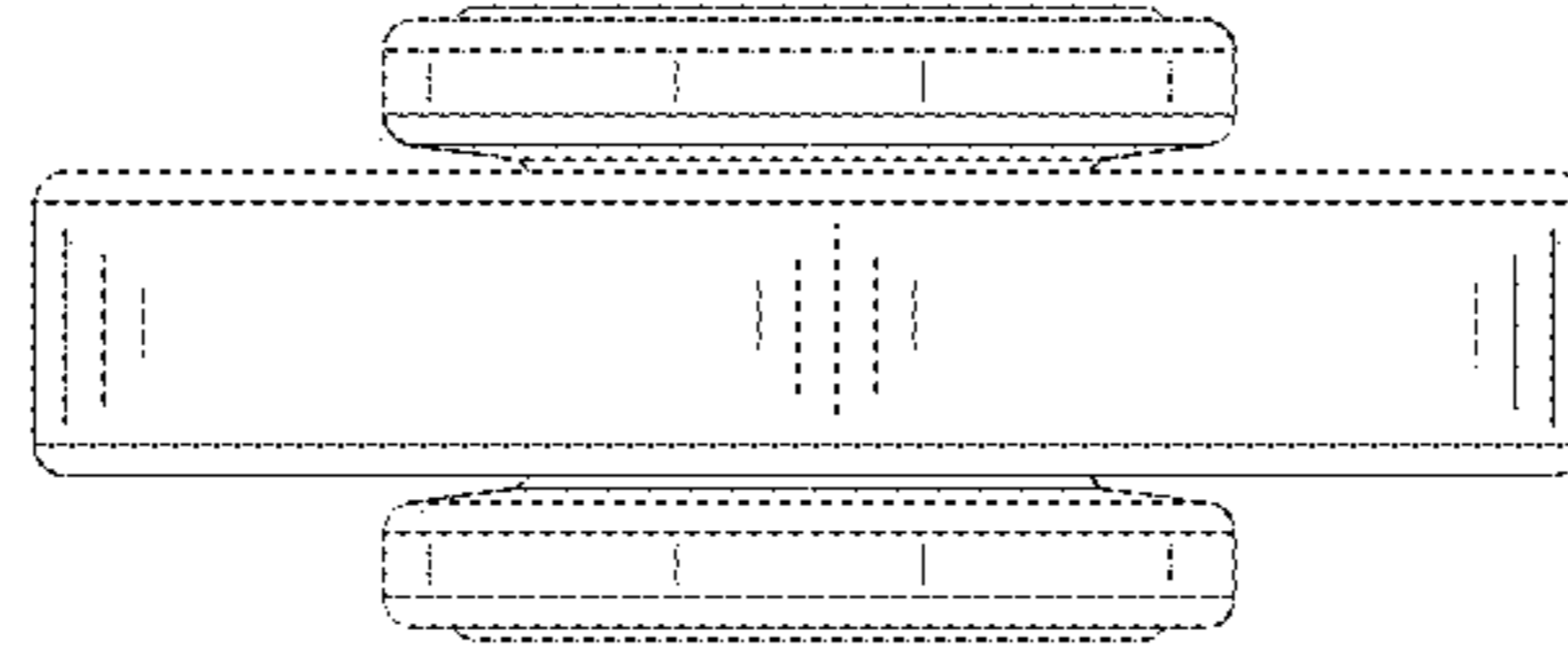


FIG. 7

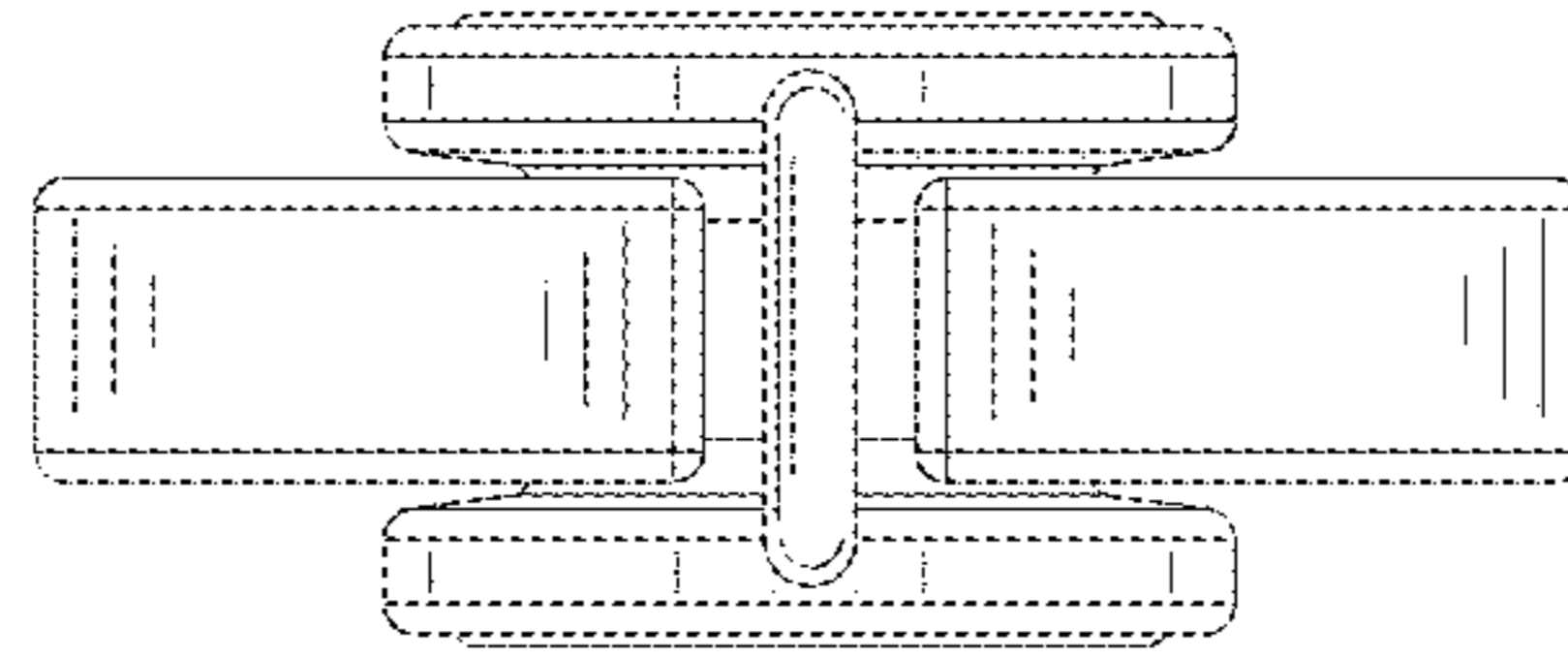


FIG. 8