



US0D1031499S

(12) **United States Design Patent**
Chang Rui

(10) **Patent No.: US D1,031,499 S**
(45) **Date of Patent: ** *Jun. 18, 2024**

(54) **DIAMOND GLASS**

(71) Applicant: **Mark Sanders LLC**, New York, NY
(US)

(72) Inventor: **Qi Chang Rui**, Xintai (CH)

(*) Notice: This patent is subject to a terminal disclaimer.

(**) Term: **15 Years**

(21) Appl. No.: **29/746,892**

(22) Filed: **Aug. 18, 2020**

(51) **LOC (14) Cl.** **11-01**

(52) **U.S. Cl.**
USPC **D11/89**; D11/90

(58) **Field of Classification Search**
USPC D7/514; D9/553, 566; D11/1-2, 26-29,
D11/89-92, 157, 172; D26/154
CPC A44C 17/00; A44C 17/001; A44C 17/007;
A44C 17/008
See application file for complete search history.

(56) **References Cited**

U.S. PATENT DOCUMENTS

2,587,972	A *	3/1952	Crise	A44C 17/008
					359/615
D314,356	S *	2/1991	Mason	A44C 17/001
					D11/1
D336,923	S *	6/1993	Lin	D11/1
D395,254	S *	6/1998	Tong	D11/4
6,000,240	A *	12/1999	Noda	A44C 15/007
					63/26
D447,440	S *	9/2001	Friedman	D11/90
6,430,963	B1 *	8/2002	Friedman	A44C 17/001
					D11/89
6,578,380	B1 *	6/2003	Pluchenik	A44C 17/001
					D11/89
D574,290	S *	8/2008	Shah	D11/91

D689,791	S *	9/2013	Kejejian	D11/90
D708,789	S *	7/2014	Schlatter	D9/566
D734,674	S *	7/2015	Tussy	A44C 17/008
					D9/566
D832,532	S *	10/2018	Geller	A44C 15/007
					D11/90
D996,904	S *	8/2023	Kayiwa	D11/90
D1,000,901	S *	10/2023	Kayiwa	D11/90
D1,001,585	S *	10/2023	Kayiwa	D7/537
D1,007,543	S *	12/2023	Gibbs	D15/90
D1,015,887	S *	2/2024	Jensen	D9/651

FOREIGN PATENT DOCUMENTS

CN	201830296845.9	*	9/2019
JP	D2019-21170	*	4/2020

OTHER PUBLICATIONS

Jeff Koons Diamond Blue, published on (May 14, 2013) on wikiart.org, retrieved from internet (Jan. 31, 2023). <URL: <https://www.wikiart.org/en/jeff-koons/diamond-blue>> (Year: 2013).*

(Continued)

Primary Examiner — Joseph Kukella
Assistant Examiner — Heather Wencil

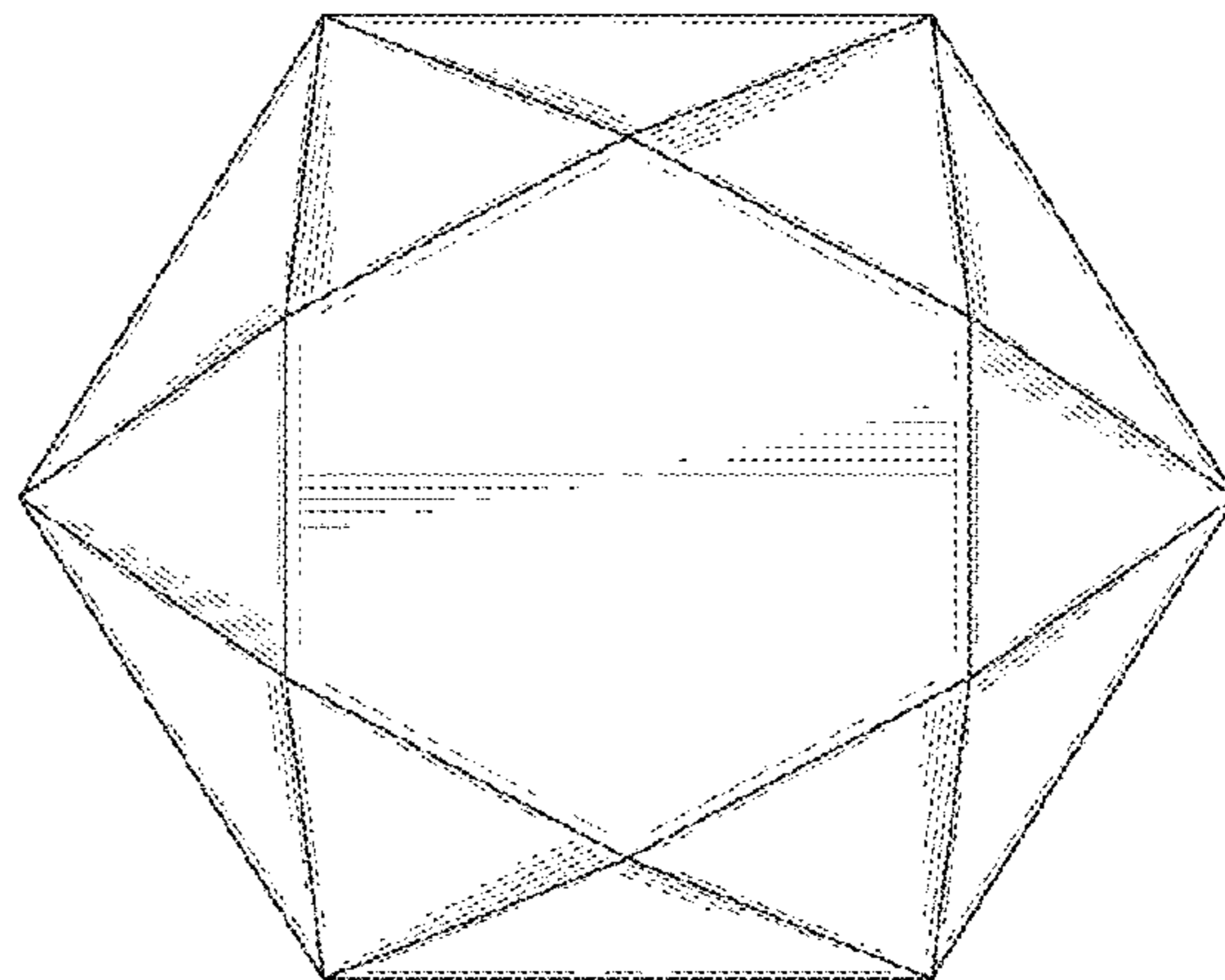
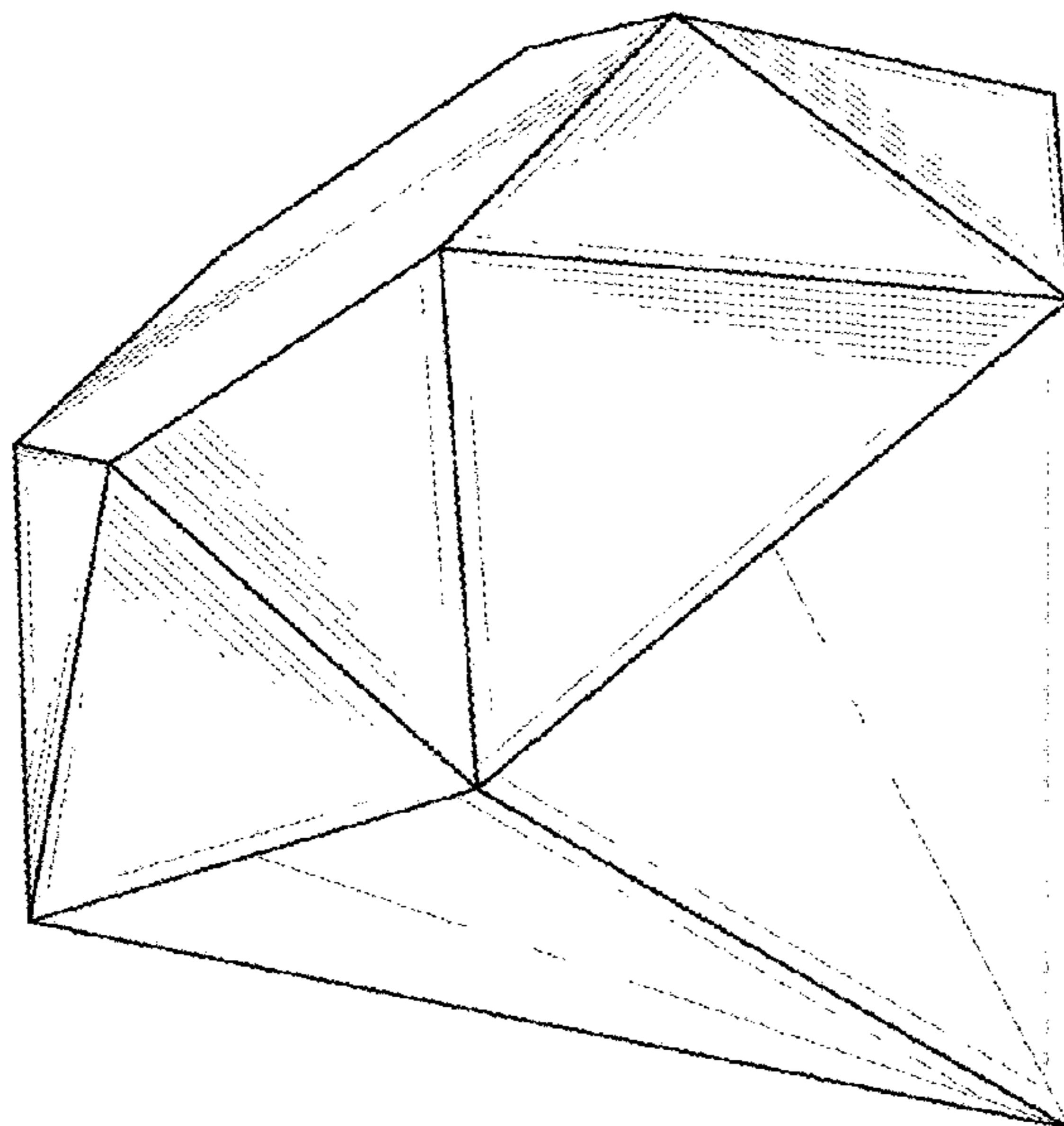
(57) **CLAIM**

The ornamental design for diamond glass, as shown and described.

DESCRIPTION

FIG. 1 is an isometric view of diamond glass showing my new design;
FIG. 2 is a front elevational view of FIG. 1
FIG. 3 is a rear elevational view of FIG. 1;
FIG. 4 is a right elevational view of FIG. 1;
FIG. 5 is a left side elevational view of FIG. 1;
FIG. 6 is a top plan view of FIG. 1; and,
FIG. 7 is a bottom plan view of FIG. 1.

1 Claim, 4 Drawing Sheets



(56)

References Cited

OTHER PUBLICATIONS

Noja Glass Design Diamond shaped Terrarium, published on (May 25, 2016) on intimateweddings.com, retrieved from internet (Jan. 30, 2023). <URL: <https://www.intimateweddings.com/blog/8-beautiful-terrarium-centerpieces/>> (Year: 2016).*

The Wine Savant Diamond Glass, published on (Nov. 2, 2017) on amazon.com, retrieved from internet (Jan. 31, 2023). <URL: https://www.amazon.com/dp/B0773X3W69/ref=twister_B0BB5M4LHX> (Year: 2017).*

Webake Diamond Ice Cube, published on (Jun. 21, 2018) on amazon.com, retrieved from internet (Jan. 31, 2023). <URL: https://www.amazon.com/Webake-Diamond-Reusable-Silicone-Cocktails/dp/B07DX4YYZT/ref=sr_1_1> (Year: 2018).*

* cited by examiner

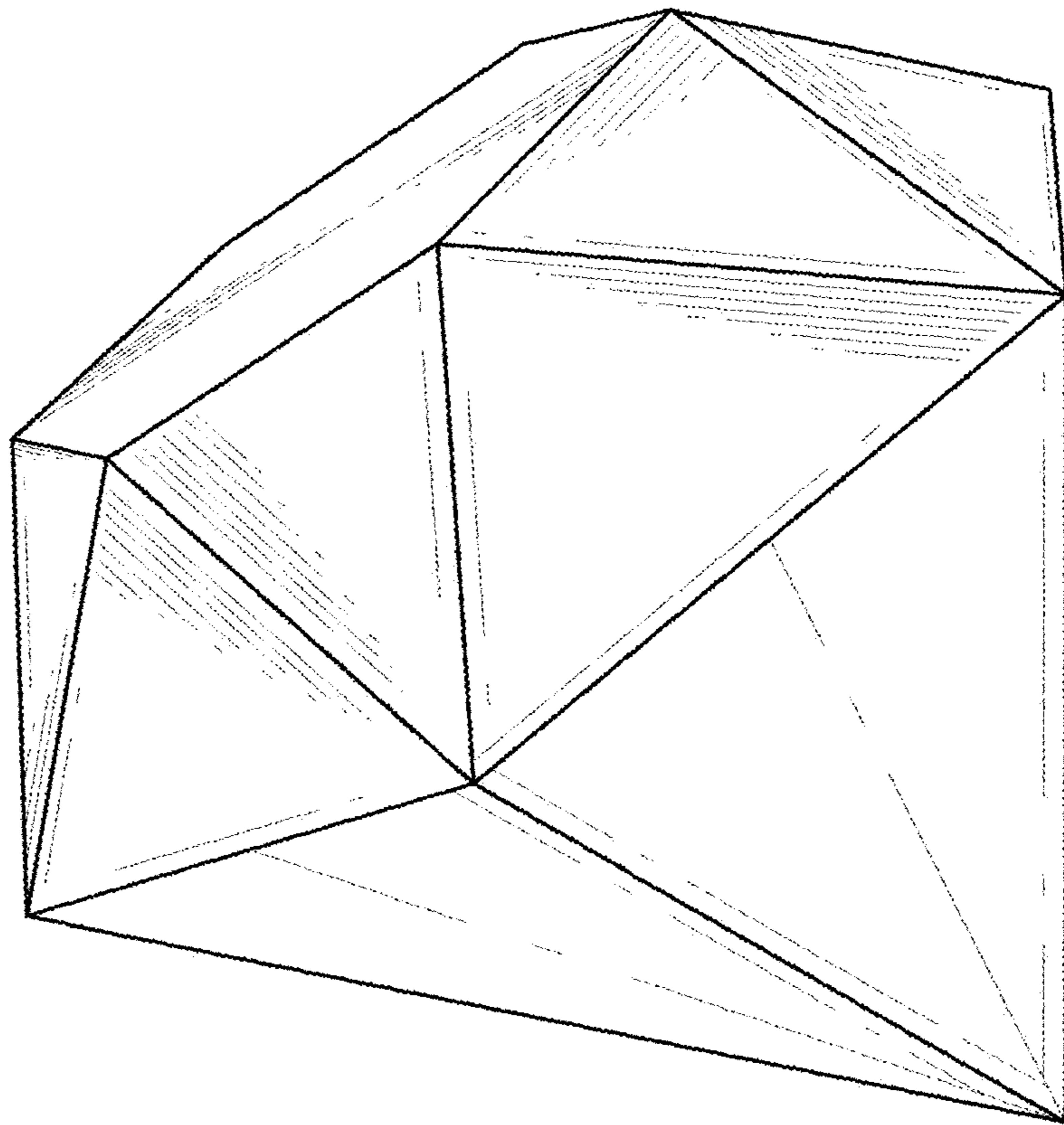


FIG. 1

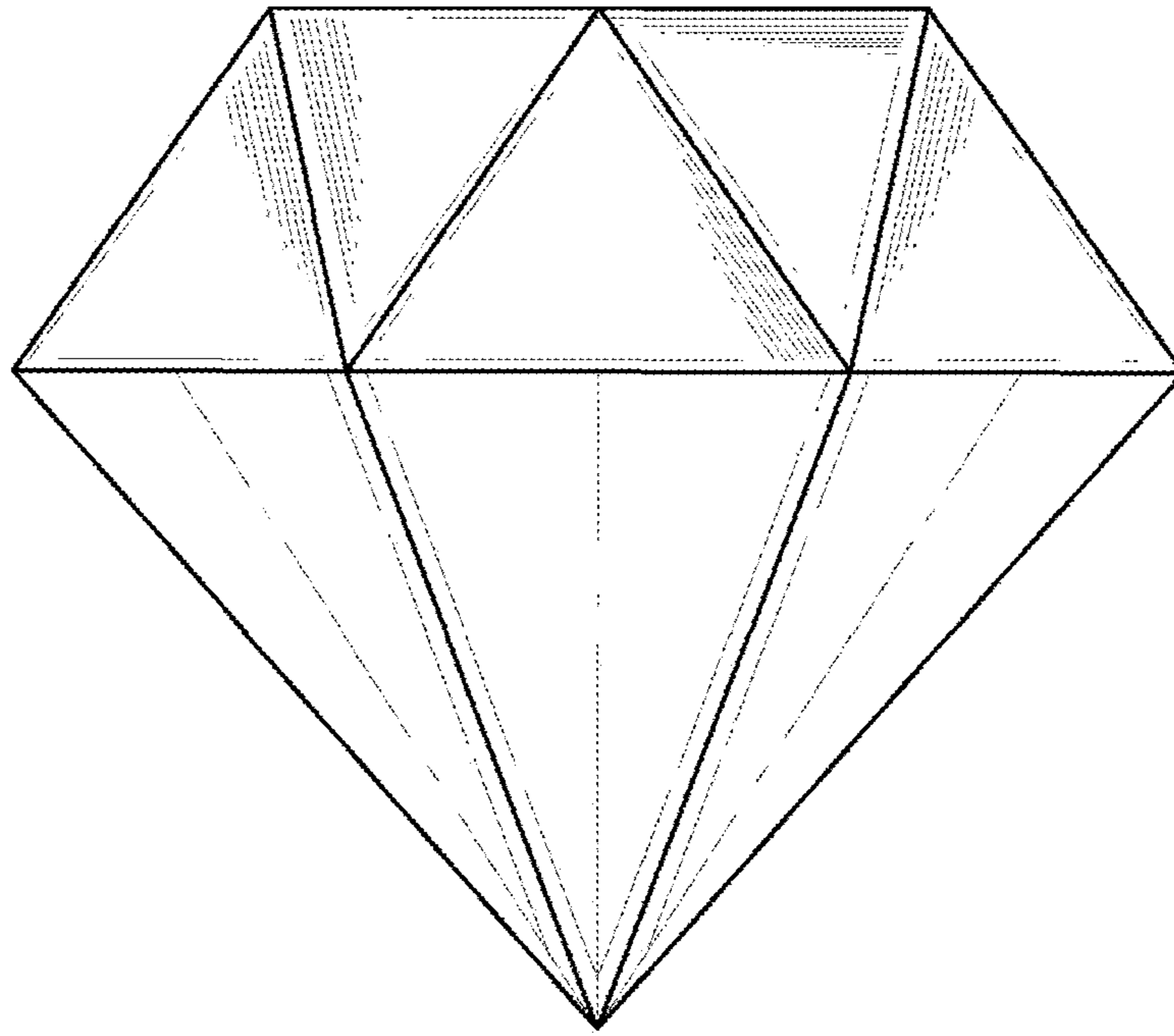


FIG. 2

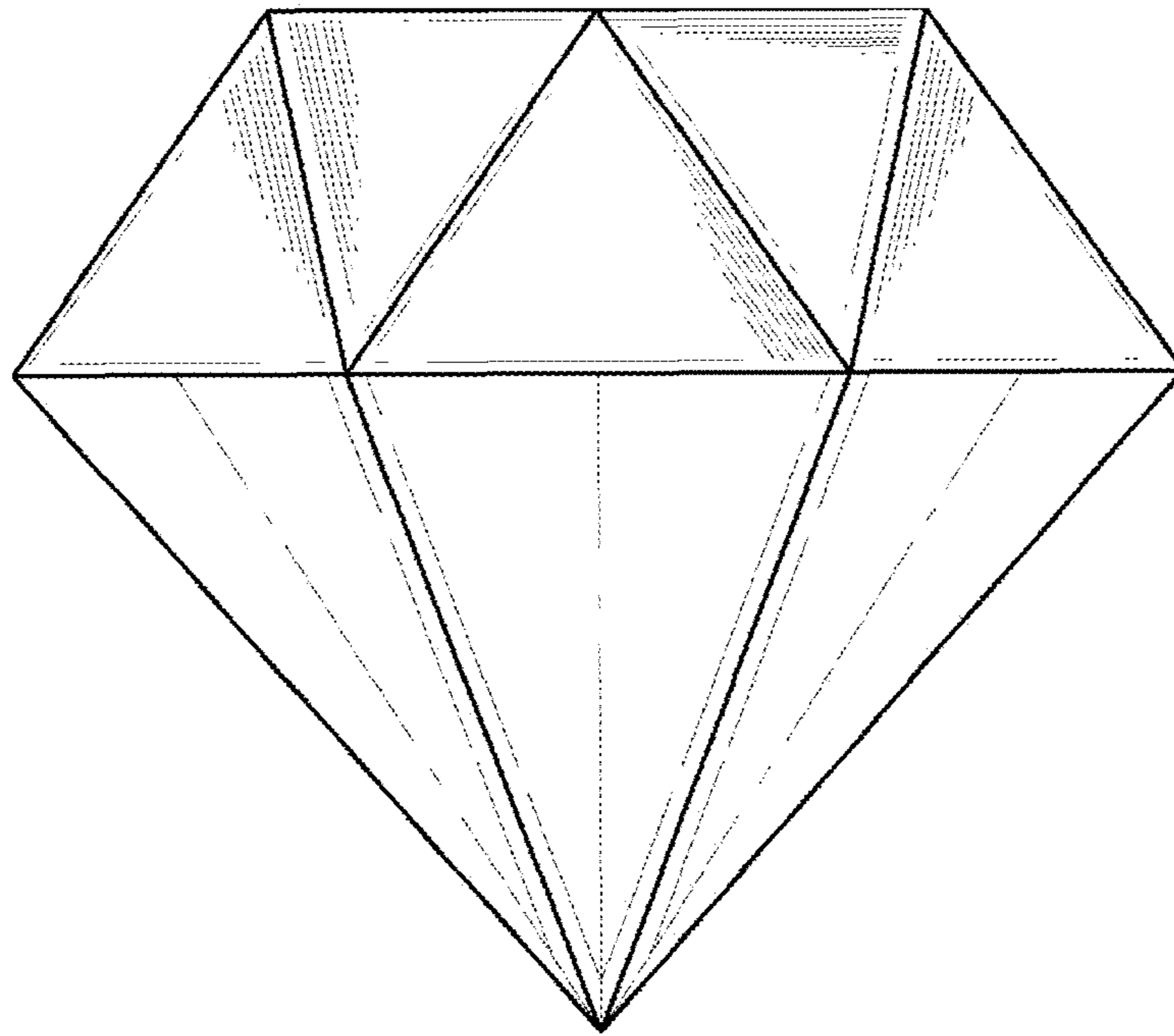


FIG. 3

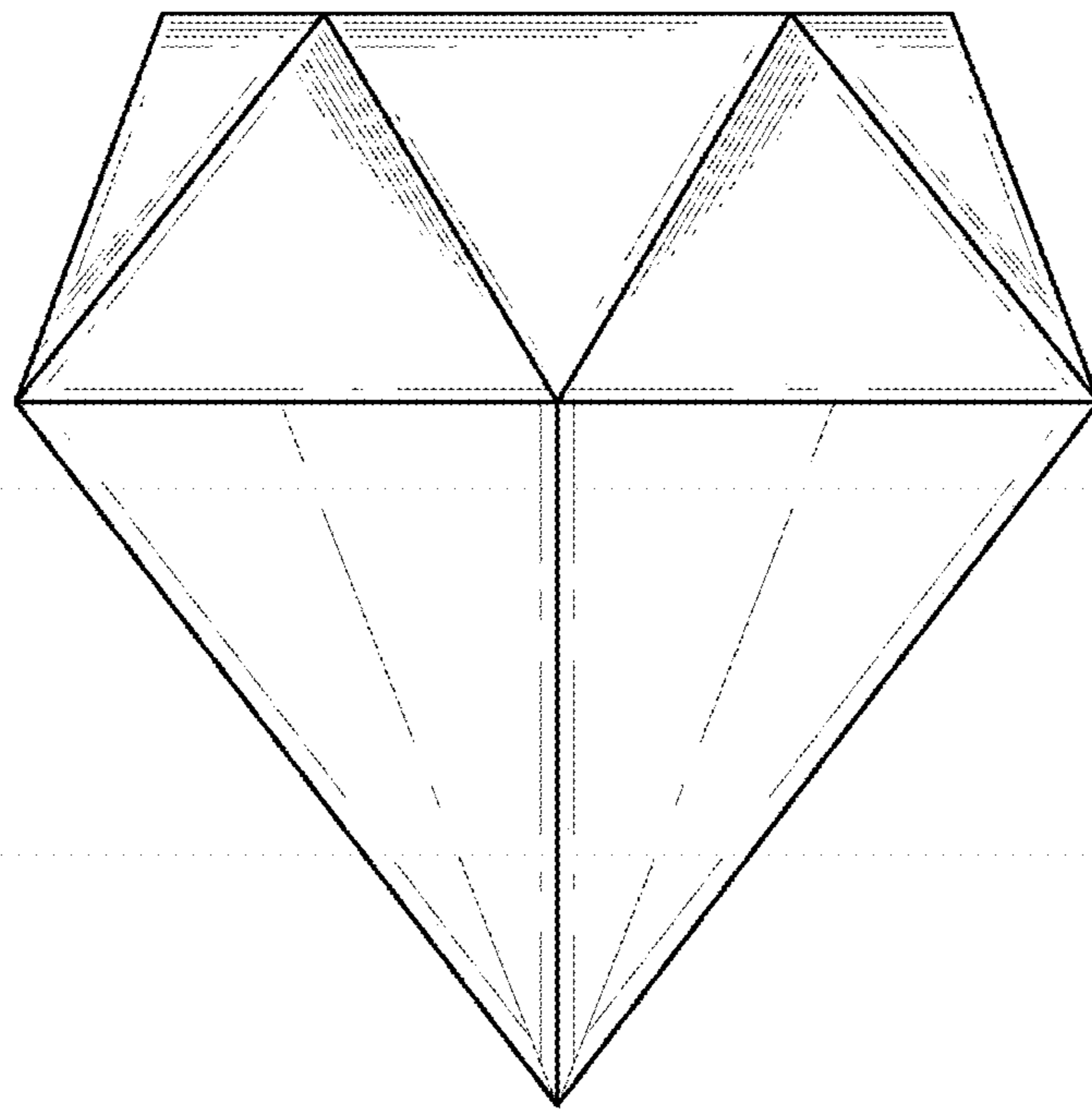


FIG. 4

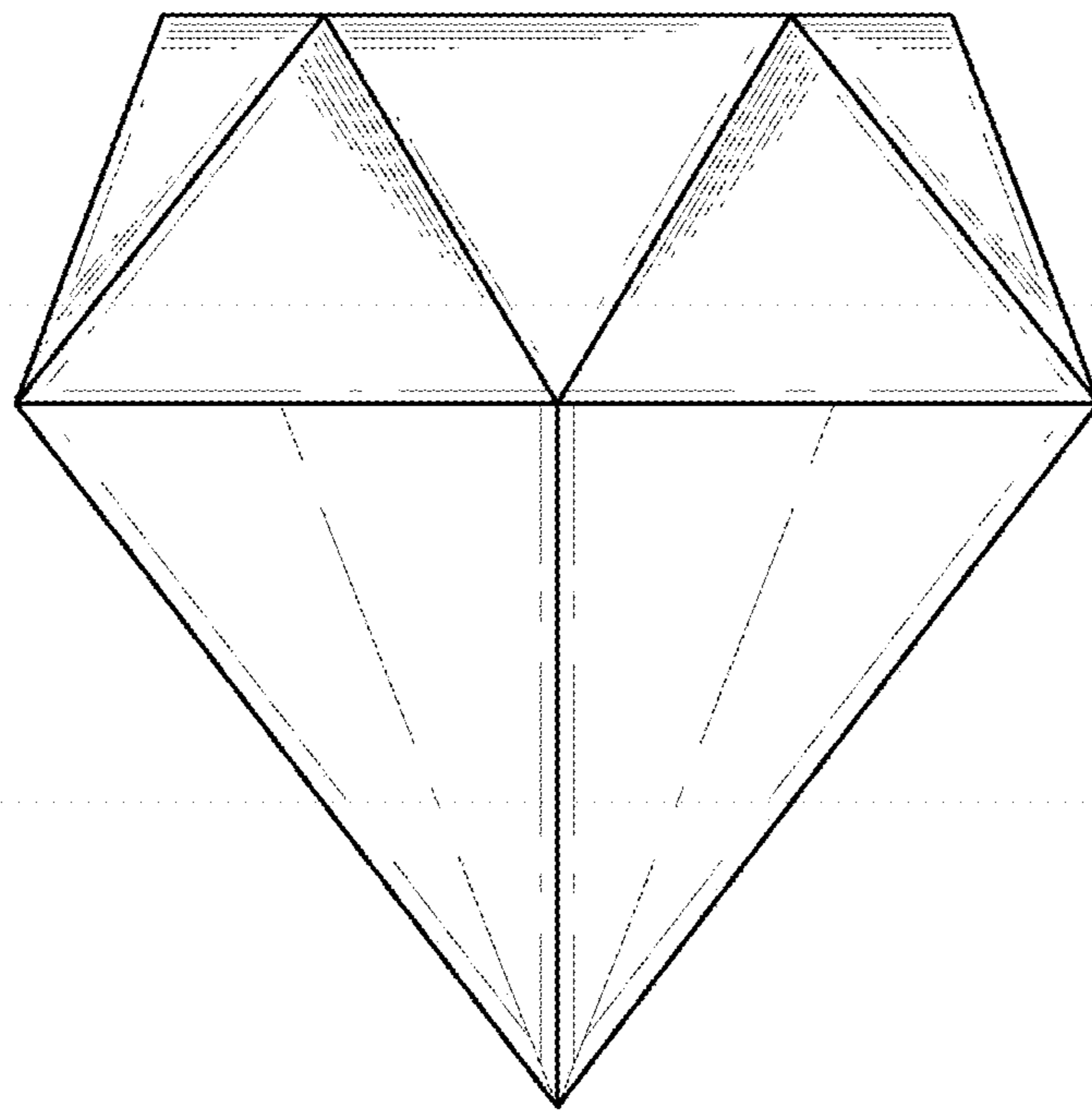


FIG. 5

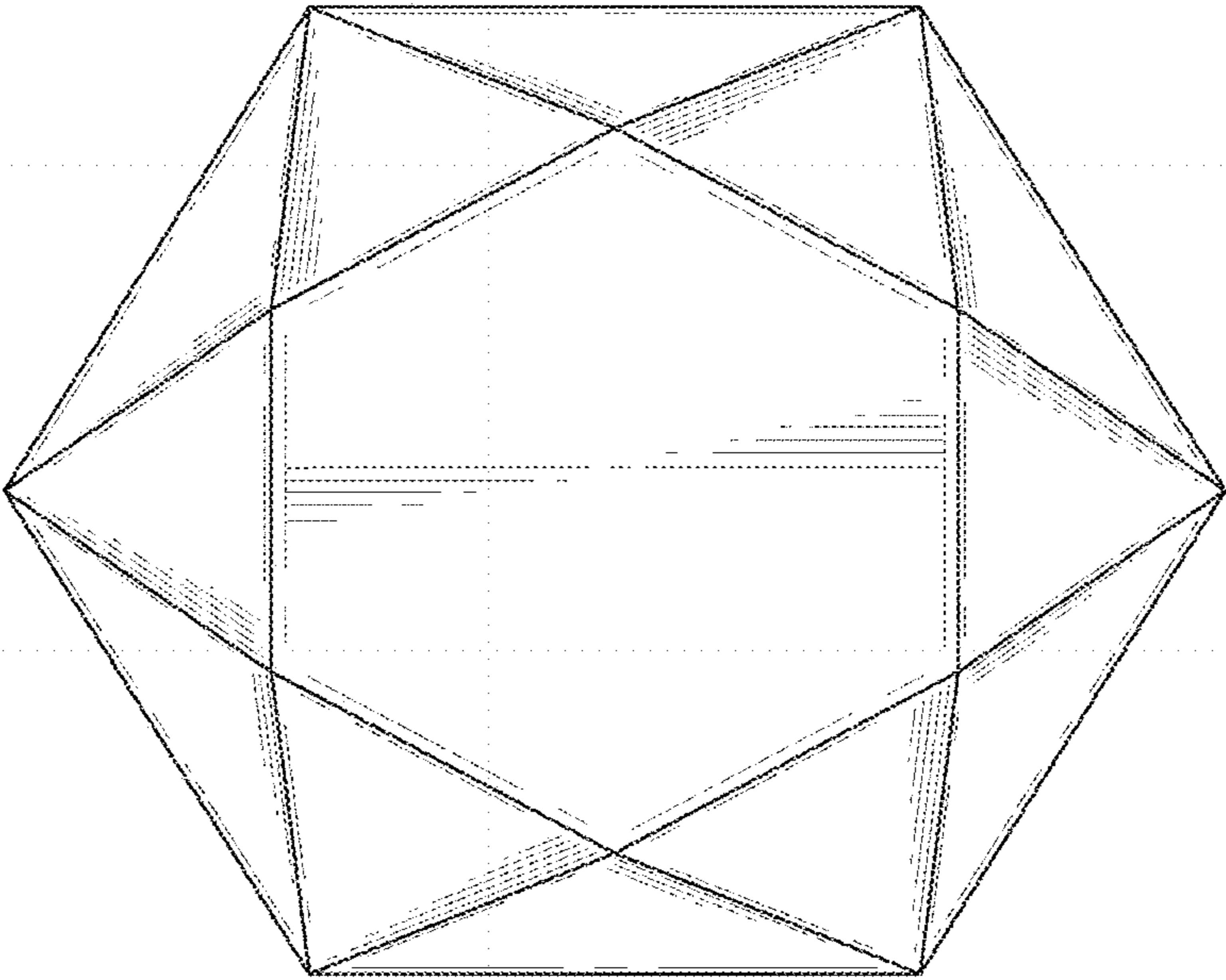


FIG. 6

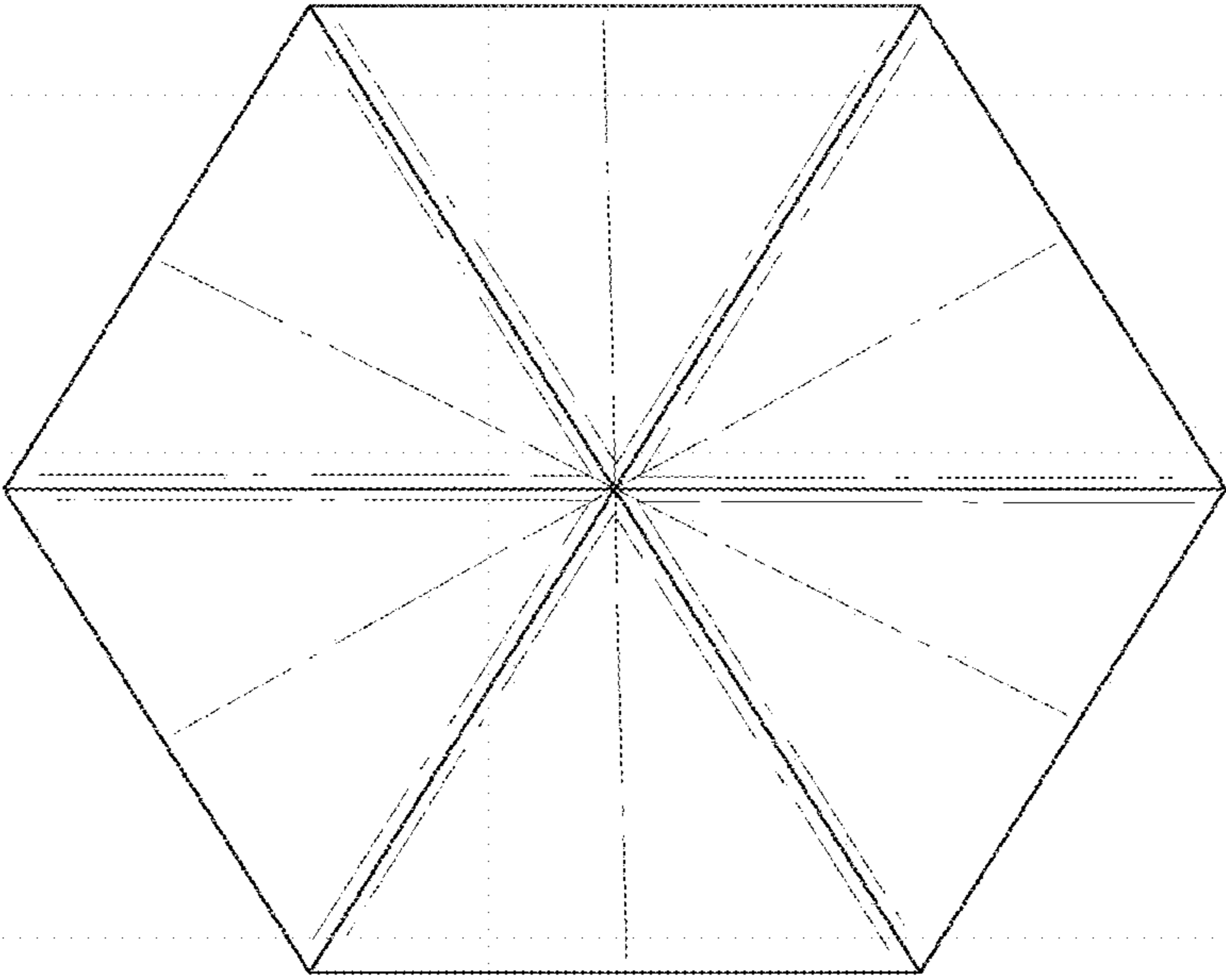


FIG. 7