



US0D1031477S

(12) **United States Design Patent** (10) **Patent No.: US D1,031,477 S**  
**Dominguez** (45) **Date of Patent: \*\* Jun. 18, 2024**

(54) **WATCH DIAL**  
(71) Applicant: **Harry Winston SA**, Plan-les-Ouates (CH)  
(72) Inventor: **Emmanuelle Dominguez**, Plan-les-Ouates (CH)  
(73) Assignee: **Harry Winston SA**, Plan-les-Ouates (CH)

D513,597 S \* 1/2006 Dubarry ..... D10/38  
D519,850 S \* 5/2006 Hensch ..... D10/6  
D599,683 S \* 9/2009 Rabassa ..... D10/39  
D787,953 S \* 5/2017 Dominguez ..... D10/30  
D807,769 S \* 1/2018 Dominguez ..... D10/123  
D862,273 S \* 10/2019 Dominguez ..... D10/126  
D913,832 S \* 3/2021 Dominguez ..... D10/126  
D915,923 S \* 4/2021 Dominguez ..... D10/126  
D916,614 S \* 4/2021 Dominguez ..... D10/126  
D983,687 S \* 4/2023 Mechelany ..... D10/126

(\*\*) Term: **15 Years**  
(21) Appl. No.: **29/827,126**  
(22) Filed: **Feb. 17, 2022**

(30) **Foreign Application Priority Data**

Aug. 17, 2021 (WO) ..... WIPO107745

(51) **LOC (14) Cl.** ..... **10-07**

(52) **U.S. Cl.**  
USPC ..... **D10/126**

(58) **Field of Classification Search**  
USPC ..... D10/30-39, 122-126, 129  
CPC .... G04B 19/04; G04B 19/042; G04B 19/044;  
G04B 19/046; G04B 19/048; G04B  
19/08; G04B 19/082; G04B 19/085;  
G04B 19/087; G04B 37/00; G04B  
37/0008; G04B 45/0069; G04B 19/10;  
G04B 19/16; G04B 19/166; G04B  
19/065; G04B 19/22; G04B 19/23; G04B  
19/24; G04B 19/241

See application file for complete search history.

(56) **References Cited**

**U.S. PATENT DOCUMENTS**

D278,037 S \* 3/1985 Hattori ..... D10/30  
D438,481 S \* 3/2001 Green ..... D10/123

**OTHER PUBLICATIONS**

Winston Candy High Jewelry Watch | professionalwatches.com; posted Dec. 1, 2022 [online]. © [retrieved Feb. 10, 2024] from Internet: <https://professionalwatches.com/winston-candy-high-jewelry-watch/> (Year: 2022).\*  
Bejewelled timepieces Time to sparkle | prestigeonline.com; posted Dec. 19, 2022 [online]. © 2024 Prestige [retrieved Feb. 10, 2024] from Internet: <https://www.prestigeonline.com/hk/watches/bejewelled-timepieces-cartier-graff-bulgari/> (Year: 2022).\*

\* cited by examiner

*Primary Examiner* — Katherine Glennon  
(74) *Attorney, Agent, or Firm* — Blank Rome LLP

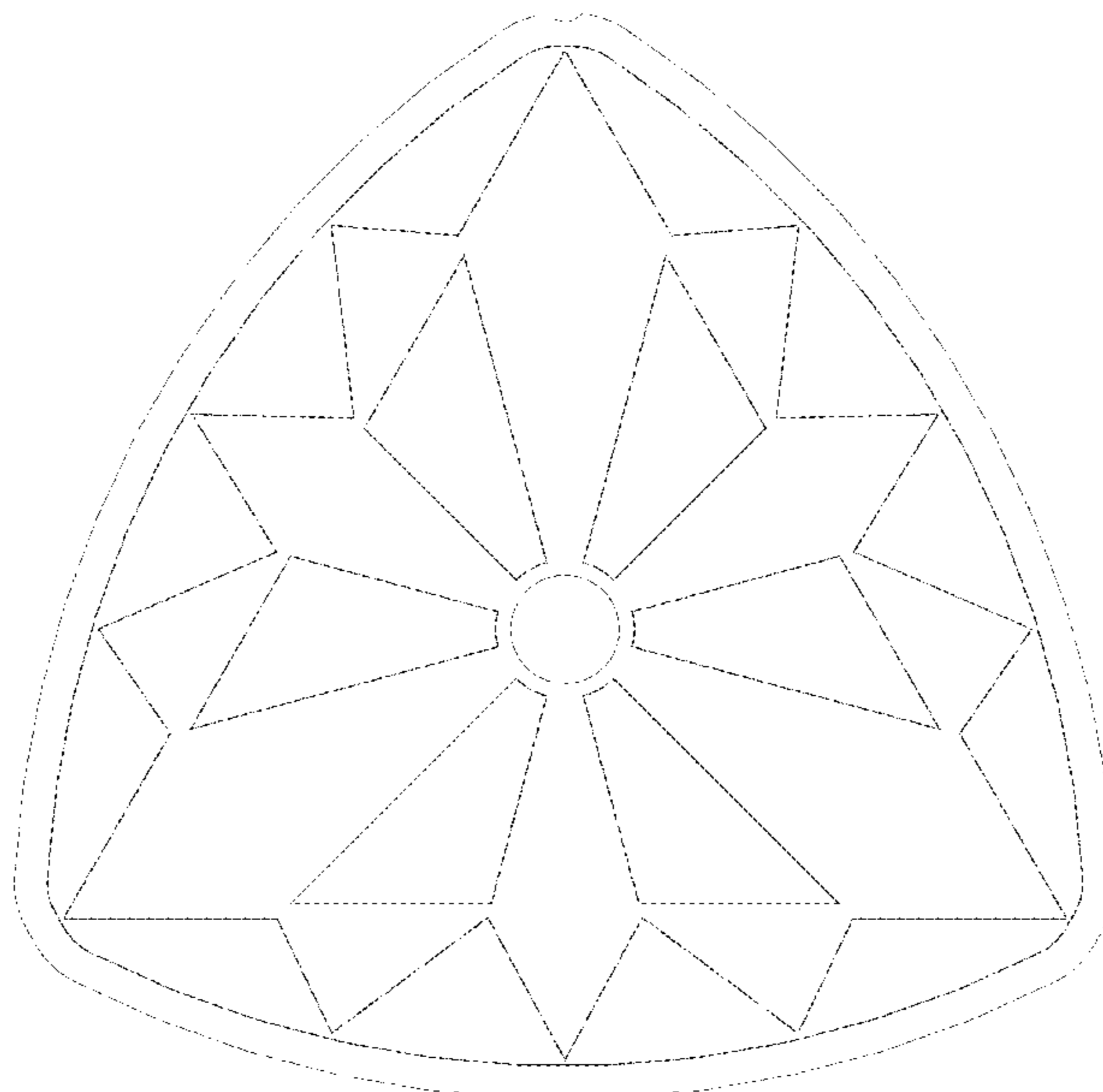
(57) **CLAIM**

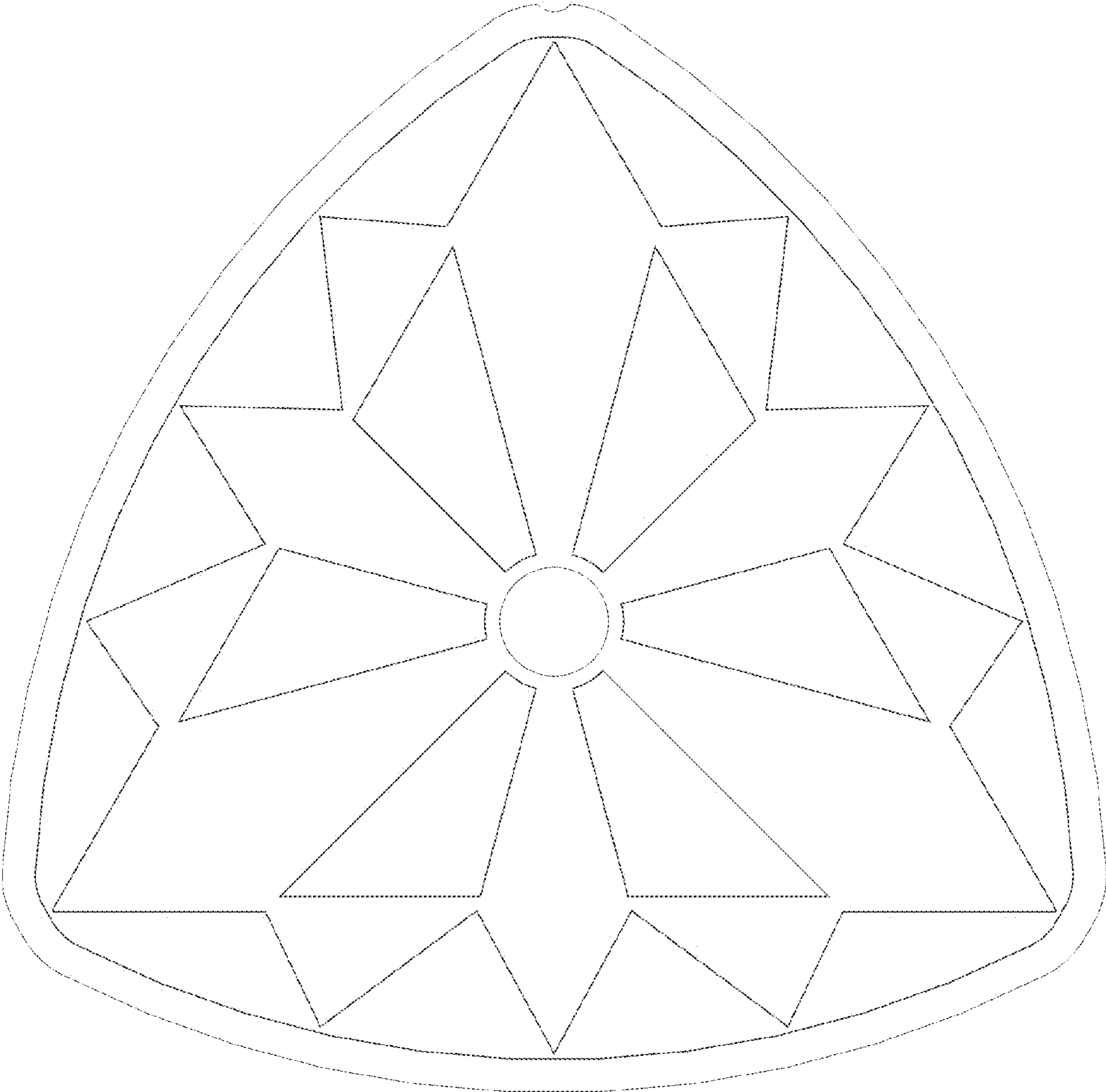
The ornamental design for a watch dial, as shown and described.

**DESCRIPTION**

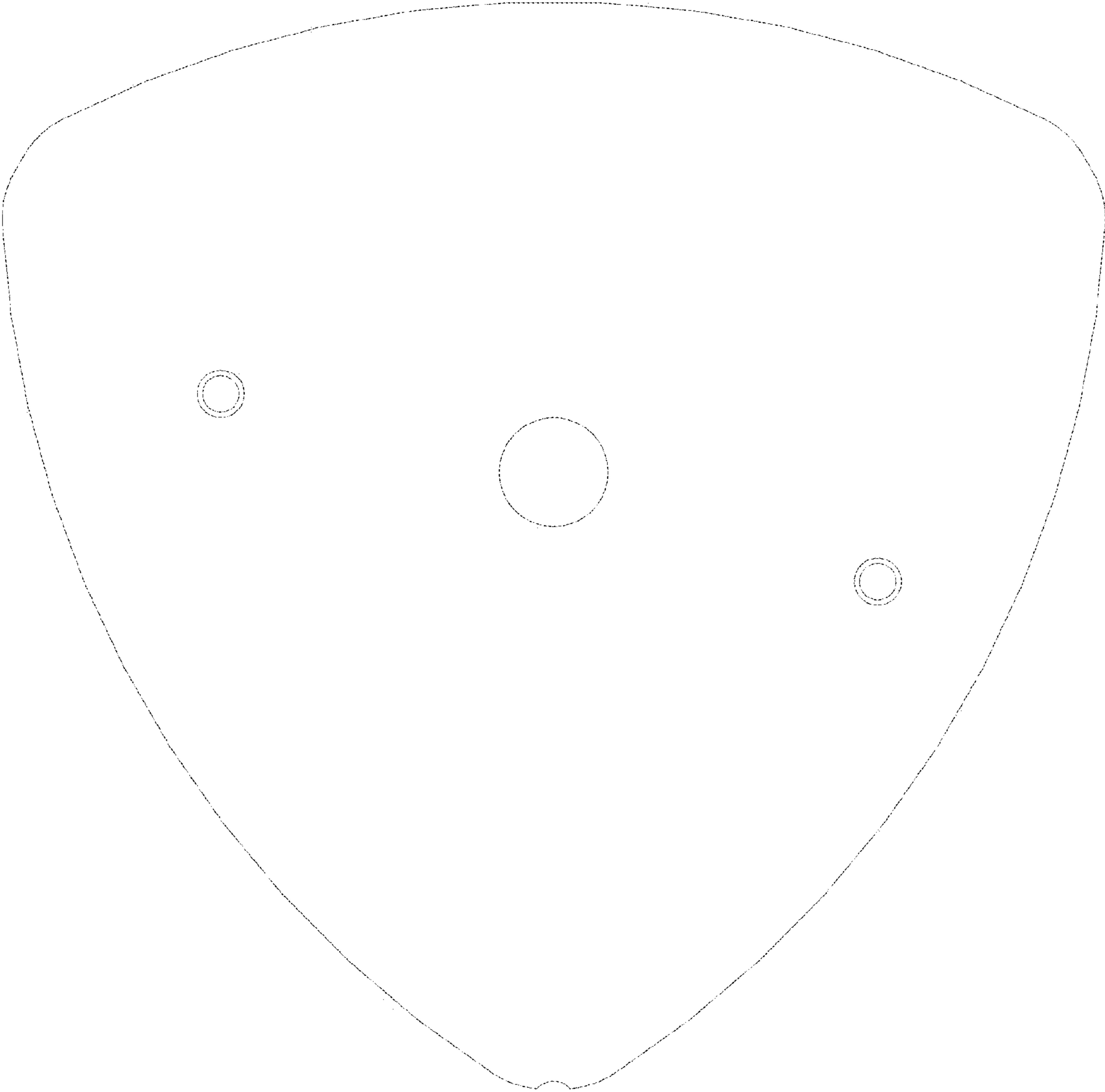
FIG. 1 is a top view of a watch dial of my present design; FIG. 2 is a bottom view thereof; FIG. 3 is a right side view thereof; FIG. 4 is a left side view thereof; FIG. 5 is a front view thereof; FIG. 6 is a rear view thereof; and FIG. 7 is a top front perspective view thereof; and, FIG. 8 is a bottom rear perspective view thereof.

**1 Claim, 8 Drawing Sheets**

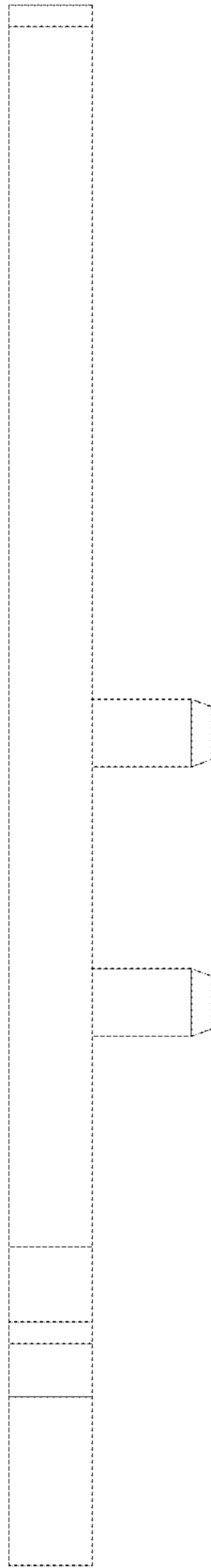




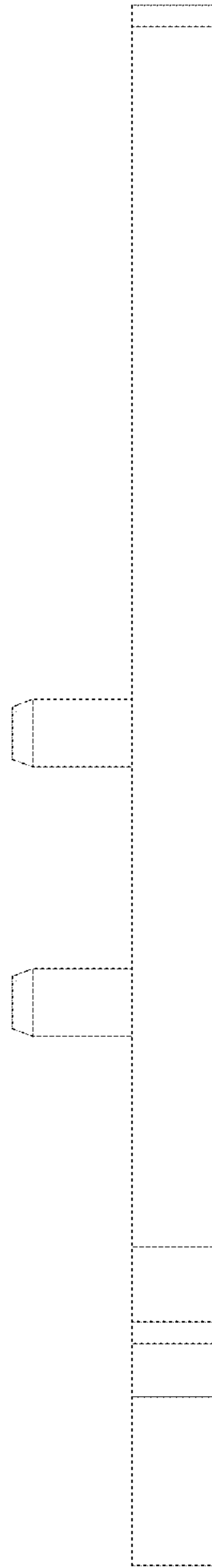
**FIG. 1**



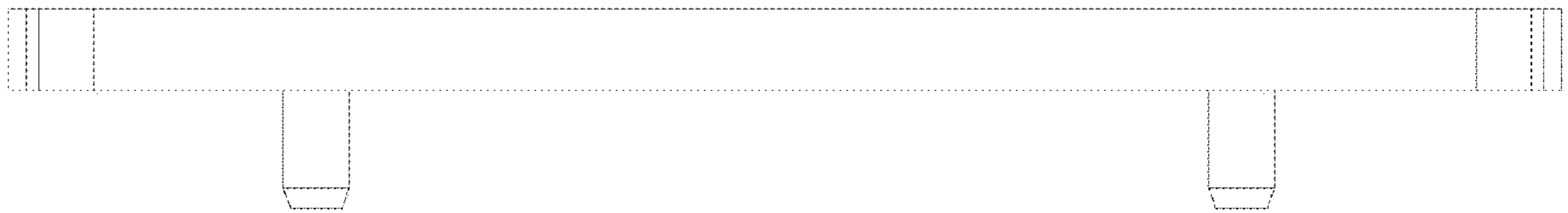
**FIG. 2**



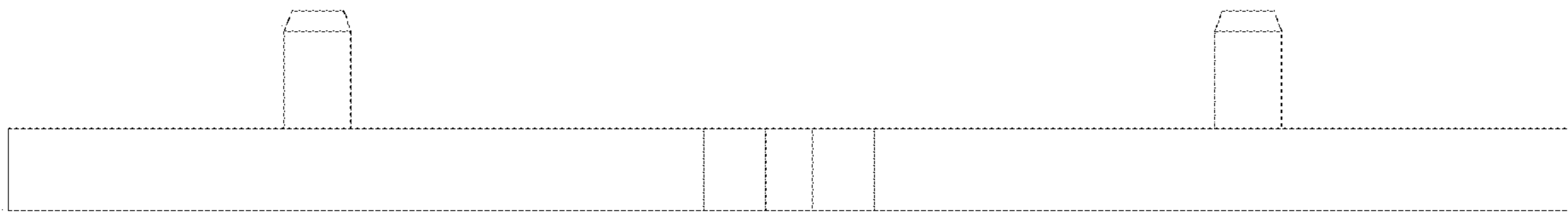
**FIG. 3**



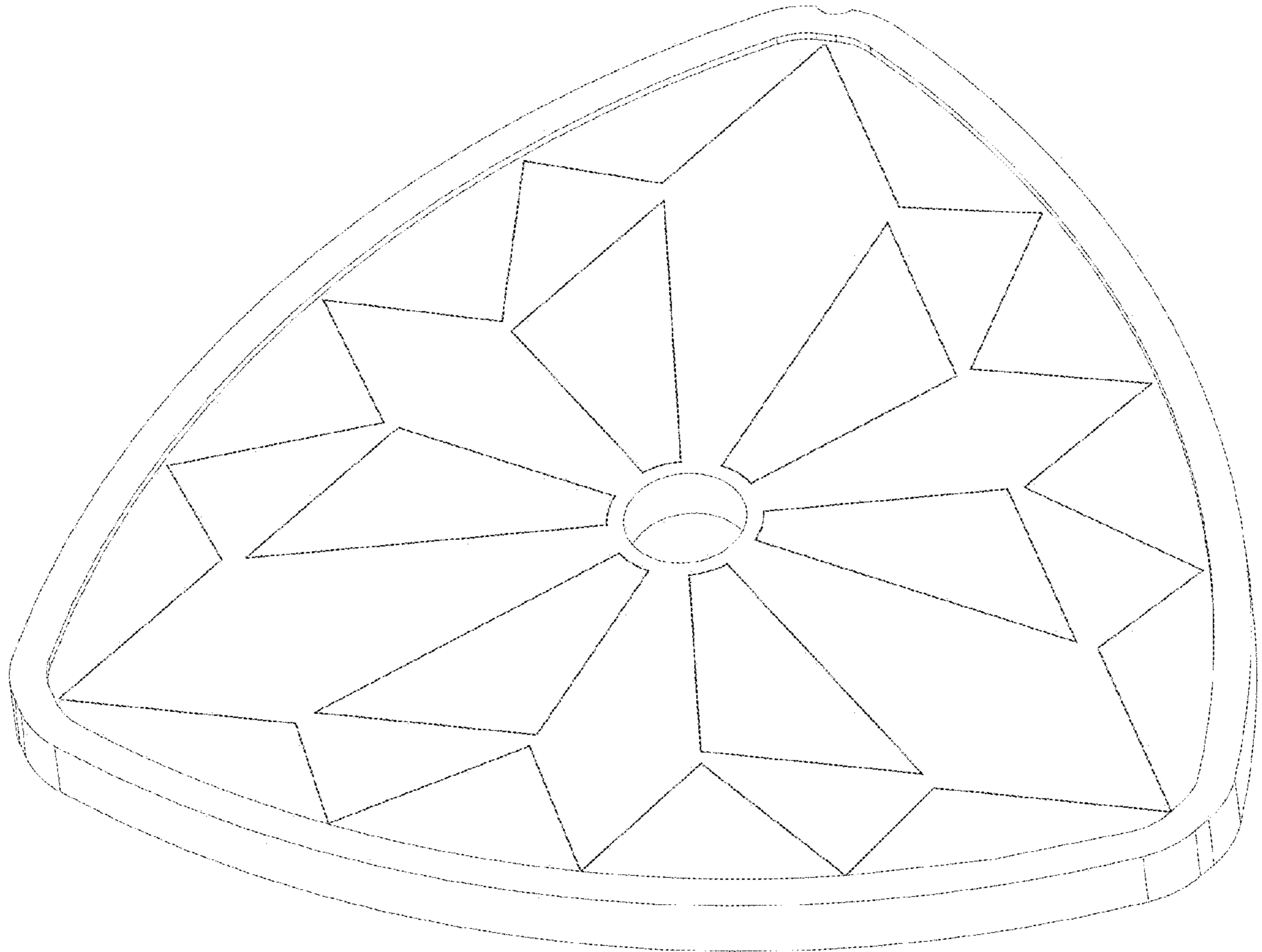
**FIG. 4**



***FIG. 5***

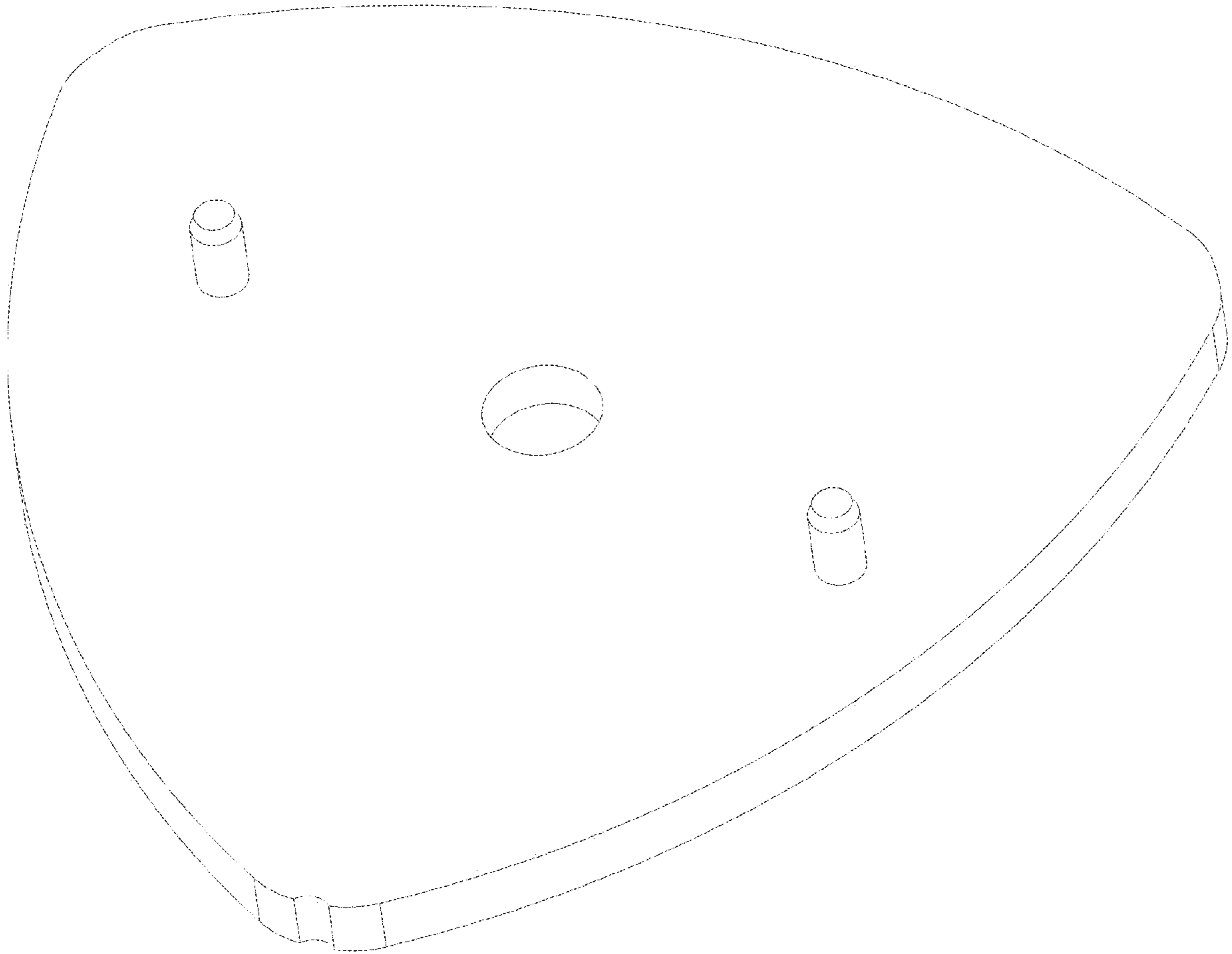


**FIG. 6**



**FIG. 7**





**FIG. 8**