



US0D1031360S

(12) **United States Design Patent**
Thies

(10) **Patent No.: US D1,031,360 S**

(45) **Date of Patent: ** Jun. 18, 2024**

(54) **APPARATUS FOR THE PREPARATION OF
FOOD AND DRINK**

(71) Applicant: **Vorwerk & Co. Interholding GmbH,**
Wuppertal (DE)

(72) Inventor: **Felix Thies,** Wuppertal (DE)

(73) Assignee: **Vorwerk & Co. Interholding GmbH,**
Wuppertal (DE)

(**) Term: **15 Years**

(21) Appl. No.: **29/808,245**

(22) Filed: **Sep. 17, 2021**

(30) **Foreign Application Priority Data**

Mar. 18, 2021 (EM) 008468334-0001
Mar. 18, 2021 (EM) 008468334-0002

(Continued)

(51) **LOC (14) Cl.** **31-00**

(52) **U.S. Cl.**
USPC **D7/378; D7/412**

(58) **Field of Classification Search**
USPC D7/317-319, 355, 372-373, 376-386,
D7/412-413, 602, 629, 665-666, 669,
D7/679, 693-694; D11/152

(Continued)

(56) **References Cited**

U.S. PATENT DOCUMENTS

3,895,548 A * 7/1975 Sauve A47J 43/07
D7/682
D259,992 S * 7/1981 Kahlcke D7/412

(Continued)

FOREIGN PATENT DOCUMENTS

CN 305890980 * 6/2020
CN 306095862 * 10/2020

(Continued)

OTHER PUBLICATIONS

Ninja Processor, Jun. 1, 2020, <https://www.amazon.com/Ninja-BN601-Professional-Processor-1000-Peak-Watts/dp/B089TP3K77>
(Year: 2020).*

(Continued)

Primary Examiner — Richard Edgar

Assistant Examiner — Nader Abadir

(74) *Attorney, Agent, or Firm* — STETINA BRUNDA
GARRED & BRUCKER

(57) **CLAIM**

The ornamental design for an apparatus for the preparation of food and drink, as shown and described.

DESCRIPTION

FIG. 1 is a top, right perspective view of the apparatus for the preparation of food and drink showing my new design; FIG. 2 is a bottom, left perspective view thereof; FIG. 3 is a front view thereof; FIG. 4 is a right side view thereof; FIG. 5 is a rear view thereof; FIG. 6 is a left side view thereof; FIG. 7 is a top view thereof; FIG. 8 is a bottom view thereof; FIG. 9 is a top, right perspective view of the apparatus for the preparation of food and drink shown in a second configuration with a removable insert removed; FIG. 10 is a bottom, left perspective view thereof; FIG. 11 is a front view thereof; FIG. 12 is a right side view thereof; FIG. 13 is a rear view thereof; FIG. 14 is a left side view thereof; FIG. 15 is a top view thereof; FIG. 16 is a bottom view thereof; FIG. 17 is a top, right perspective view of the apparatus for the preparation of food and drink shown in the second configuration of FIG. 9 with a removable insert removed and portions thereof shown in broken lines; FIG. 18 is a bottom, left perspective view thereof; FIG. 19 is a front view thereof; FIG. 20 is a right side view thereof;

(Continued)

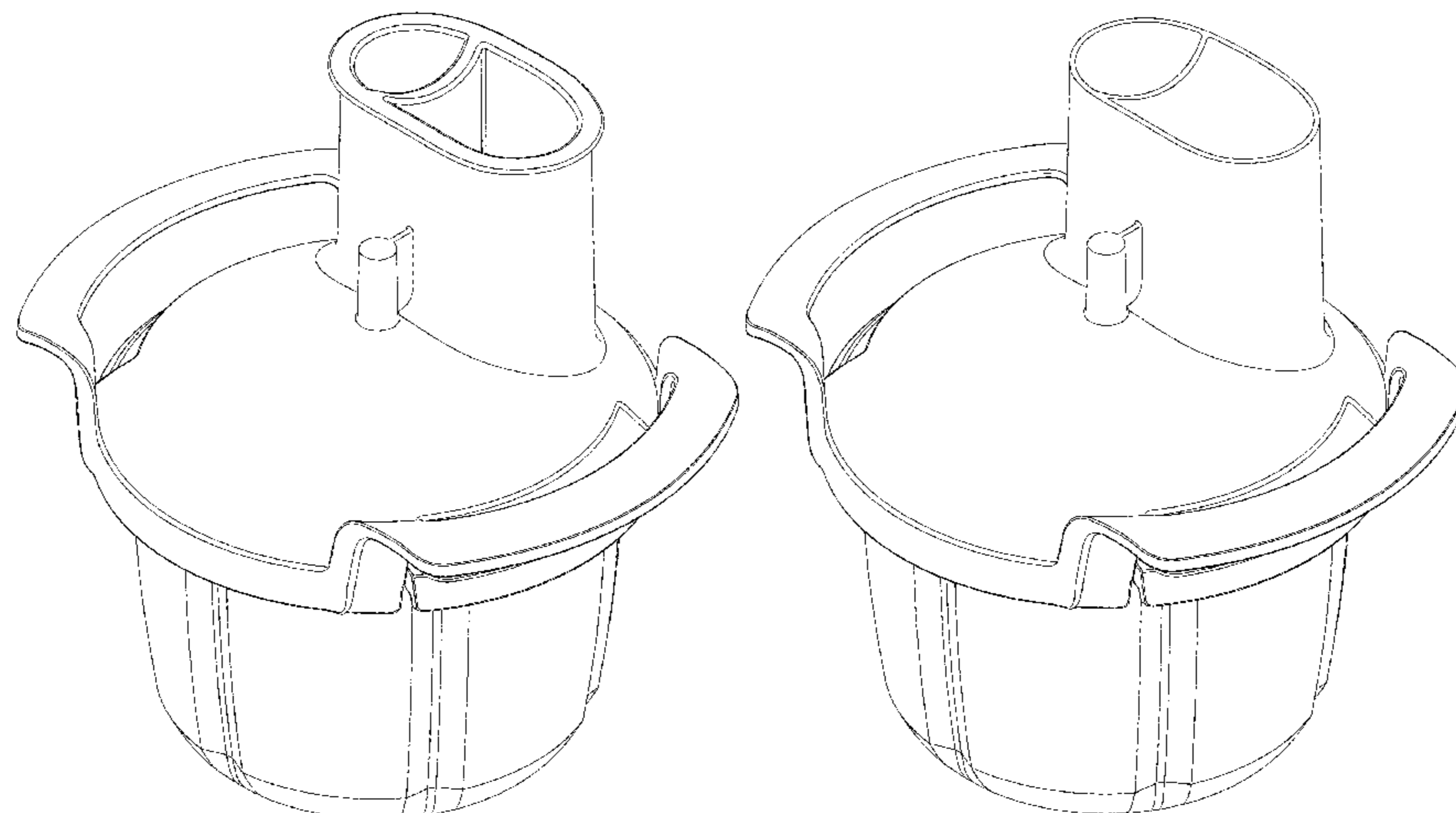


FIG. 21 is a rear view thereof;
 FIG. 22 is a left side view thereof;
 FIG. 23 is a top view thereof; and,
 FIG. 24 is a bottom view thereof.
 The broken lines in FIGS. 17, 18, 19, 20, 21, 22 and 24 depict portions of the apparatus for the preparation of food and drink that form no part of claimed design.

1 Claim, 24 Drawing Sheets

(30) **Foreign Application Priority Data**

Mar. 18, 2021 (EM) 008468334-0003
 Mar. 18, 2021 (EM) 008468334-0004

(58) **Field of Classification Search**

CPC A21C 1/02; A21C 1/04; A23N 1/00; A23N 1/02; A47J 27/21166; A47J 43/04; A47J 43/25; A47J 43/27; A47J 43/042; A47J 43/044; A47J 43/046; A47J 43/075; A47J 43/0722; A47J 43/0727; B01F 3/00; B01F 3/0807; B01F 3/0853; B01F 13/0059; B01F 13/0064; B02C 1/08; B02C 2/04; B02C 4/42; B02C 4/142; B02C 4/143; B02C 4/423; B02C 13/1835; B28C 5/12; B28C 5/14; B28C 5/16; B28C 5/10
 See application file for complete search history.

(56) **References Cited**

U.S. PATENT DOCUMENTS

4,410,085 A * 10/1983 Beneziat B65D 81/3216
 206/217
 5,302,021 A * 4/1994 Jennett B01F 35/00
 366/349
 5,662,032 A * 9/1997 Baratta A47J 43/0722
 366/205
 D458,086 S * 6/2002 Marks D7/605
 7,040,799 B2 * 5/2006 Pryor, Jr. A47J 43/0716
 366/205
 8,939,070 B2 * 1/2015 Cheung A47J 19/027
 99/511
 D741,653 S * 10/2015 Zhang D7/378
 D743,204 S * 11/2015 Zhang D7/378
 D853,177 S * 7/2019 McConnell D7/378
 D863,870 S * 10/2019 Powell D7/378
 D863,873 S * 10/2019 Kettavong D7/378
 10,427,316 B2 * 10/2019 Beber B26D 7/2628
 D876,166 S * 2/2020 Smith D7/378
 D876,869 S * 3/2020 Ha D7/311

D887,199 S * 6/2020 Fung D7/378
 D887,210 S * 6/2020 Fung D7/378
 D892,538 S * 8/2020 Finnance D7/378
 D896,022 S * 9/2020 Ye D7/378
 D896,023 S * 9/2020 Ye D7/378
 D898,517 S * 10/2020 McConnell D7/378
 D899,180 S * 10/2020 Ye D7/378
 D919,366 S * 5/2021 Fung D7/378
 D919,367 S * 5/2021 Seo D7/378
 2009/0129200 A1 * 5/2009 Breviere A47J 43/0716
 366/205
 2015/0257435 A1 * 9/2015 Feinberg A47J 19/025
 99/510
 2019/0380539 A1 * 12/2019 Alves A47J 43/0761
 2021/0022554 A1 * 1/2021 Kolar A47J 43/0727
 2021/0137315 A1 * 5/2021 Byun A47J 45/067
 2021/0186267 A1 * 6/2021 Hammond A47J 43/0727
 2021/0220785 A1 * 7/2021 Ambrose B08B 3/102
 2021/0246936 A1 * 8/2021 Carr F16C 13/022

FOREIGN PATENT DOCUMENTS

CN 306184893 * 11/2020
 CN 306212421 * 12/2020
 CN 306317365 * 2/2021
 CN 306355419 * 2/2021
 KR 301073007.0000 * 9/2020
 WO D211890-001 * 1/2021

OTHER PUBLICATIONS

Black and Decker Processor, Oct. 22, 2009, <https://www.amazon.com/BLACK-DECKER-Processor-Black-FP1600B/dp/B0038KPRG6> (Year: 2009).*

Hamilton Beach Processor, Apr. 5, 2017, <https://www.amazon.com/Hamilton-Beach-72850-Processor-Electric/dp/B06Y2GZWCJ> (Year: 2017).*

Black+Decker Processor, Oct. 22, 2009, <https://www.amazon.com/BLACK-DECKER-Processor-Black-FP1600B/dp/B0038KPRG6> (Year: 2009).*

Cuisinart Processor, Jan. 21, 2016, <https://www.amazon.com/Cuisinart-DFP-14BCNY-Processor-Brushed-Stainless/dp/B01AXM4WV2> (Year: 2016).*

Braun Processor, Mar. 30, 2015, <https://www.amazon.com/Braun-Processor-Powerful-Attachment-Engineering/dp/B00VF0RYK8> (Year: 2015).*

Hamilton Beach Processor, Nov. 9, 2012, <https://www.amazon.com/Hamilton-Beach-70730-Processor-Vegetable/dp/B008J8MJIQ> (Year: 2012).*

Ninja Processor, Jun. 15, 2020, <https://www.amazon.com/Ninja-BN601-Professional-Processor-1000-Peak-Watts/dp/B089TP3K77> (Year: 2020).*

KitchenAid Processor, May 9, 2018, <https://www.amazon.com/KitchenAid-KFP0718BM-Processor-Black-Matte/dp/B07BW1ZPB5> (Year: 2018).*

* cited by examiner

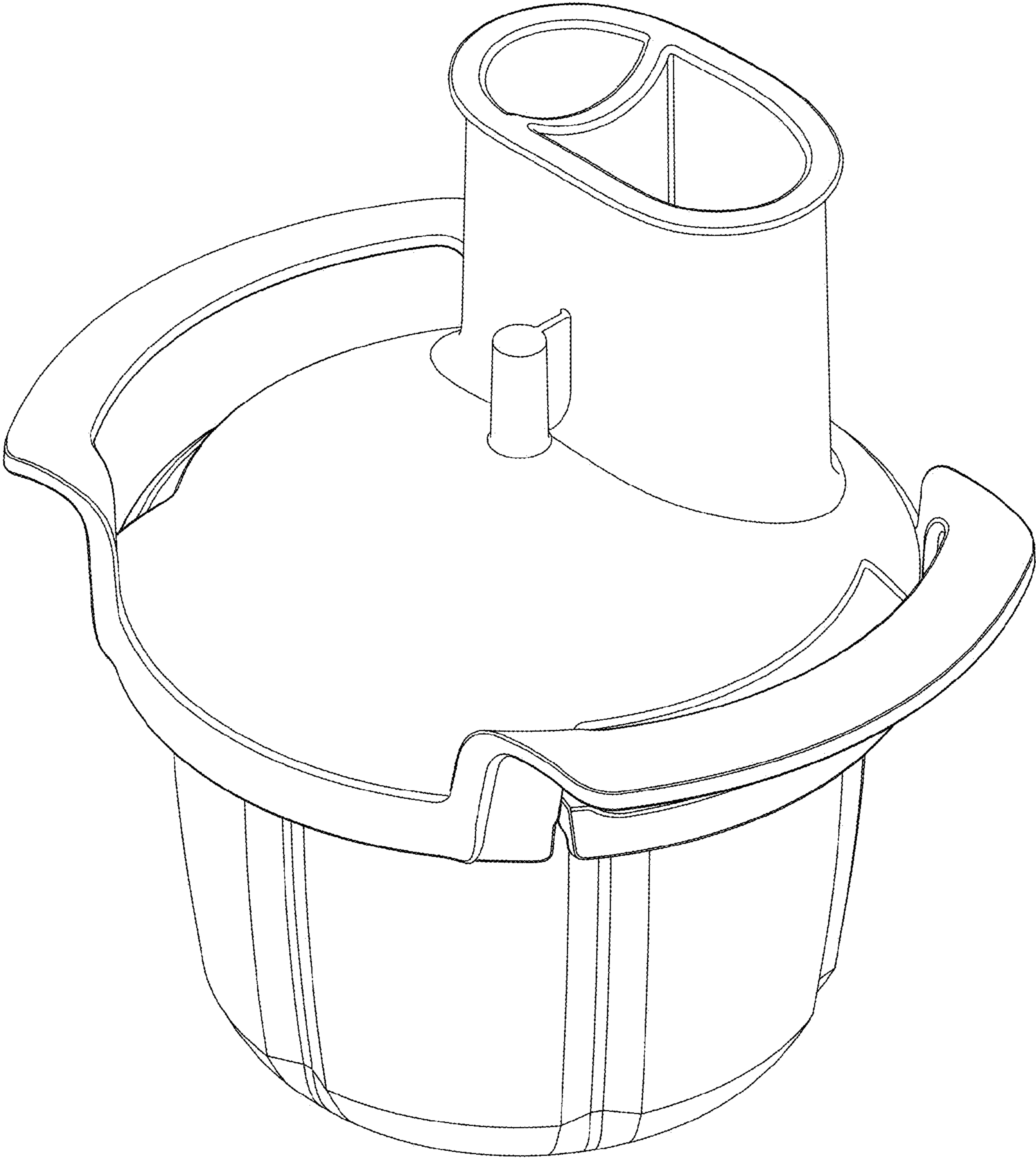


FIG. 1

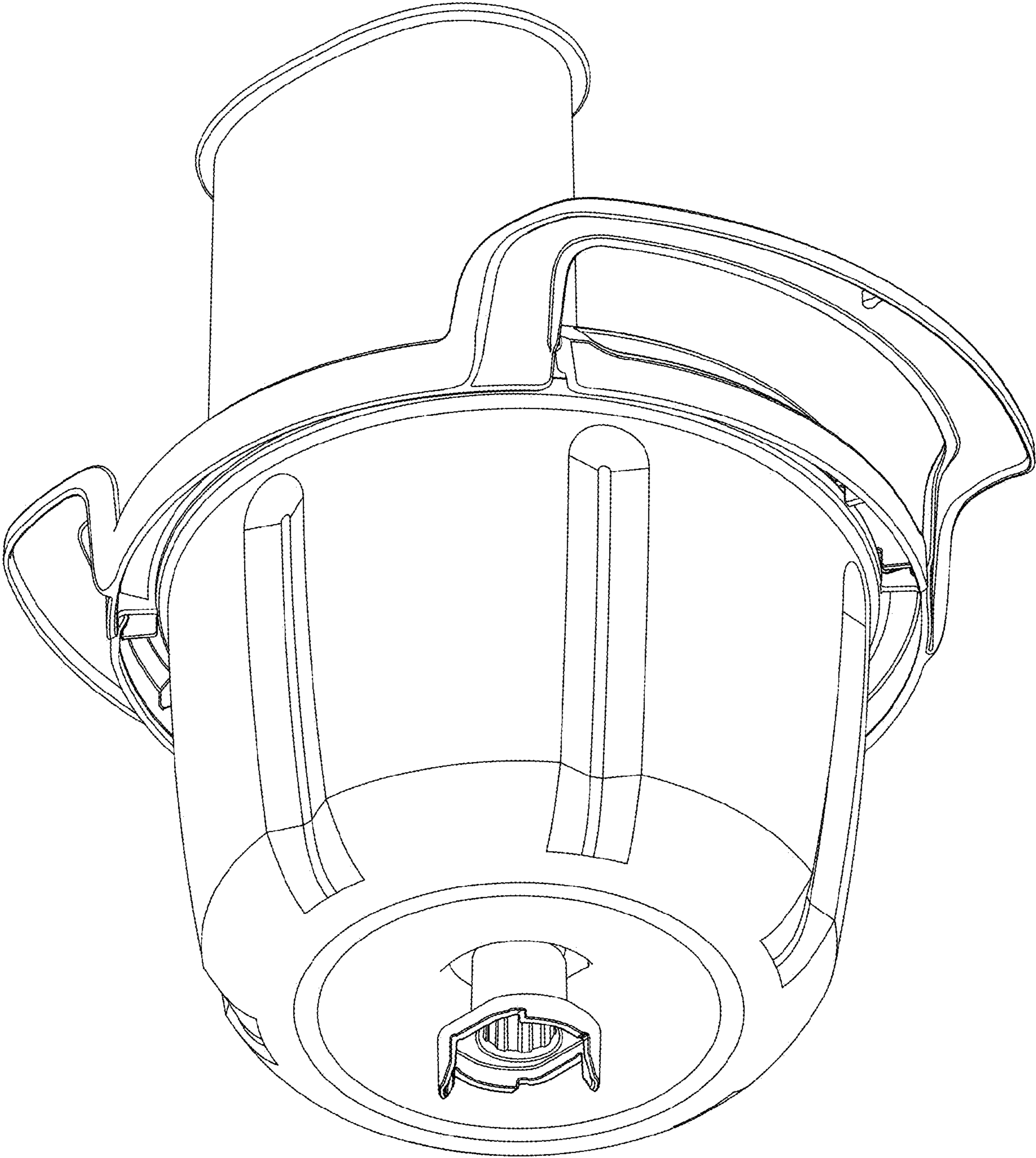


FIG. 2

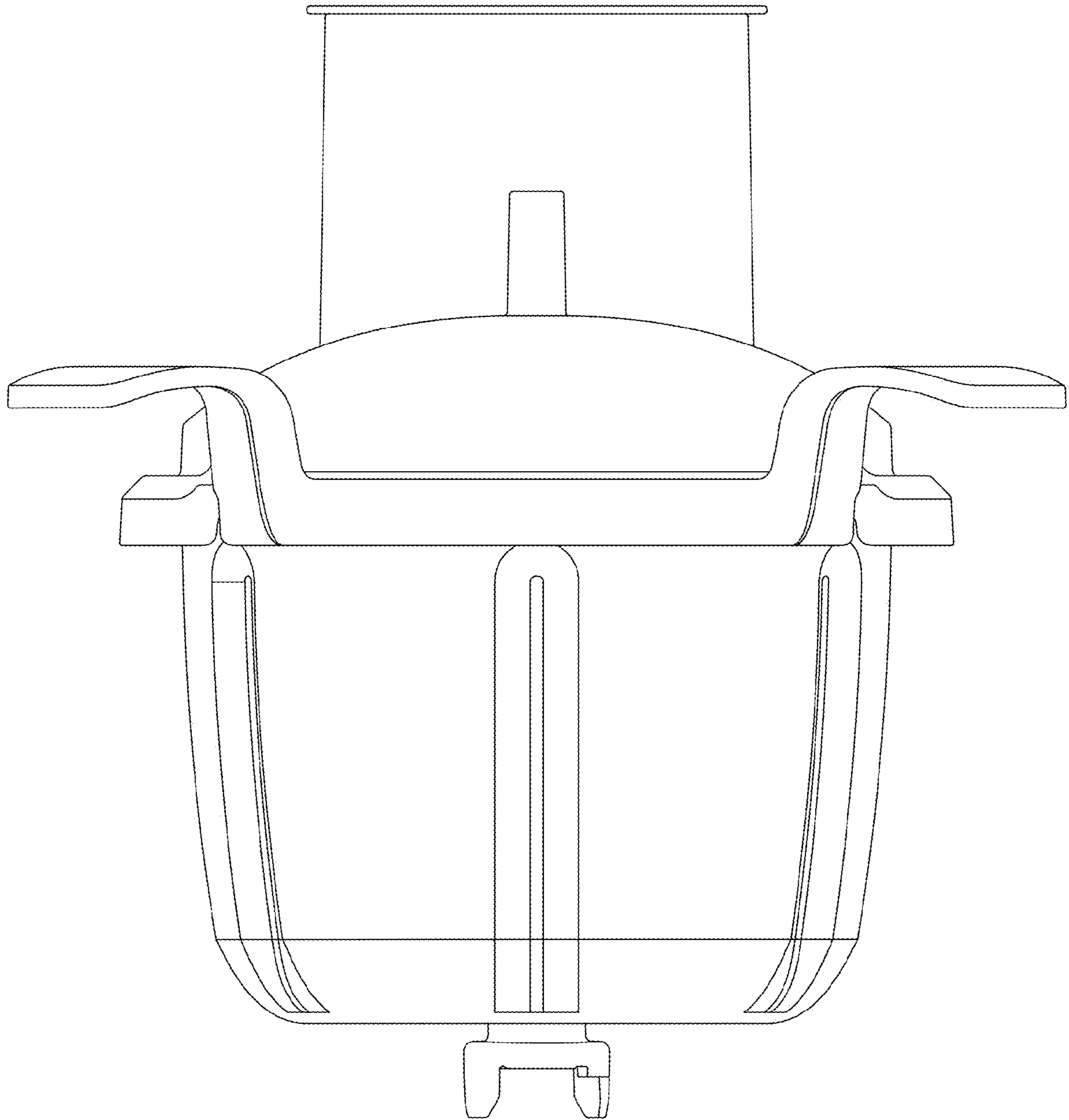


FIG. 3

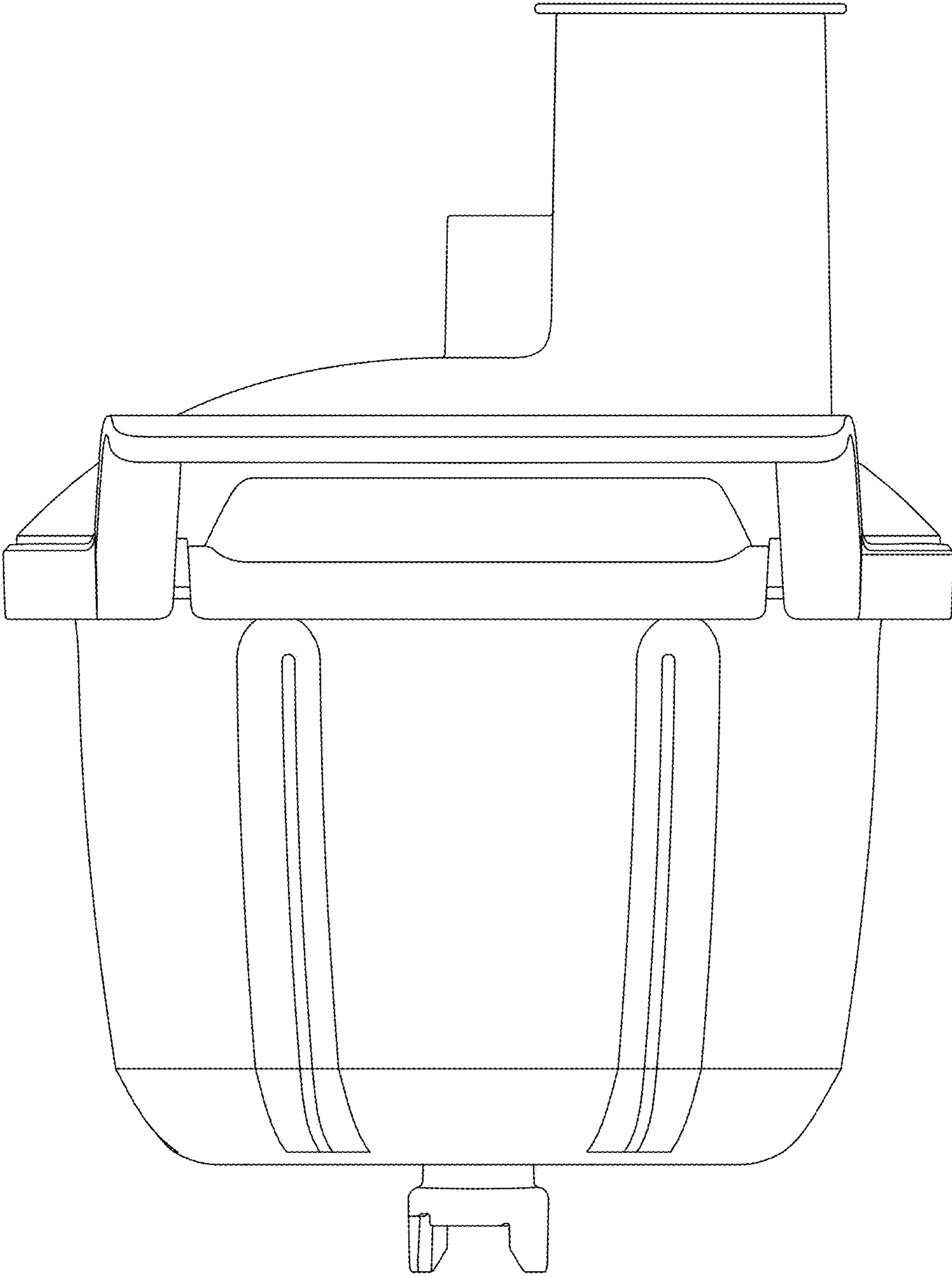


FIG. 4

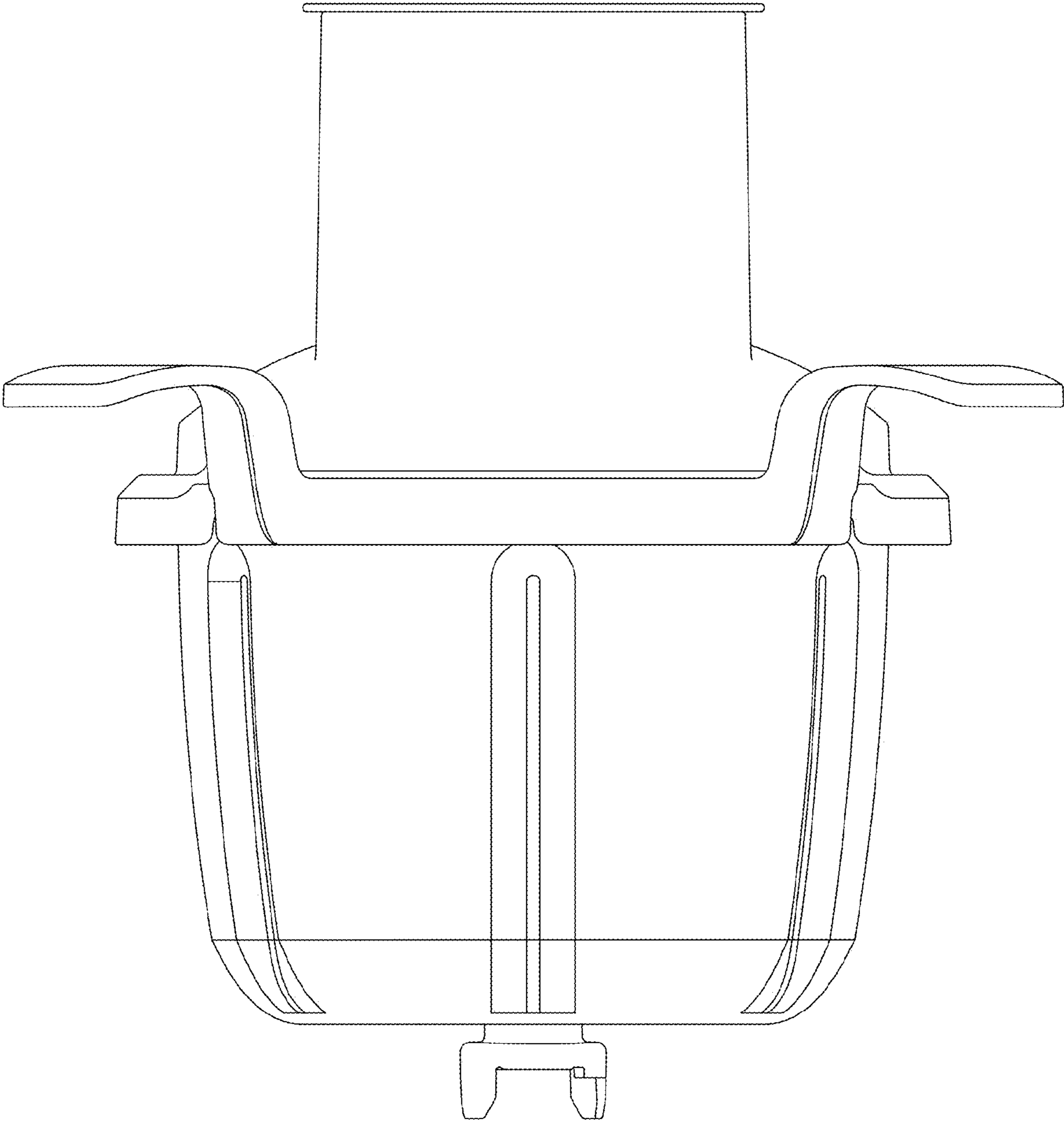


FIG. 5

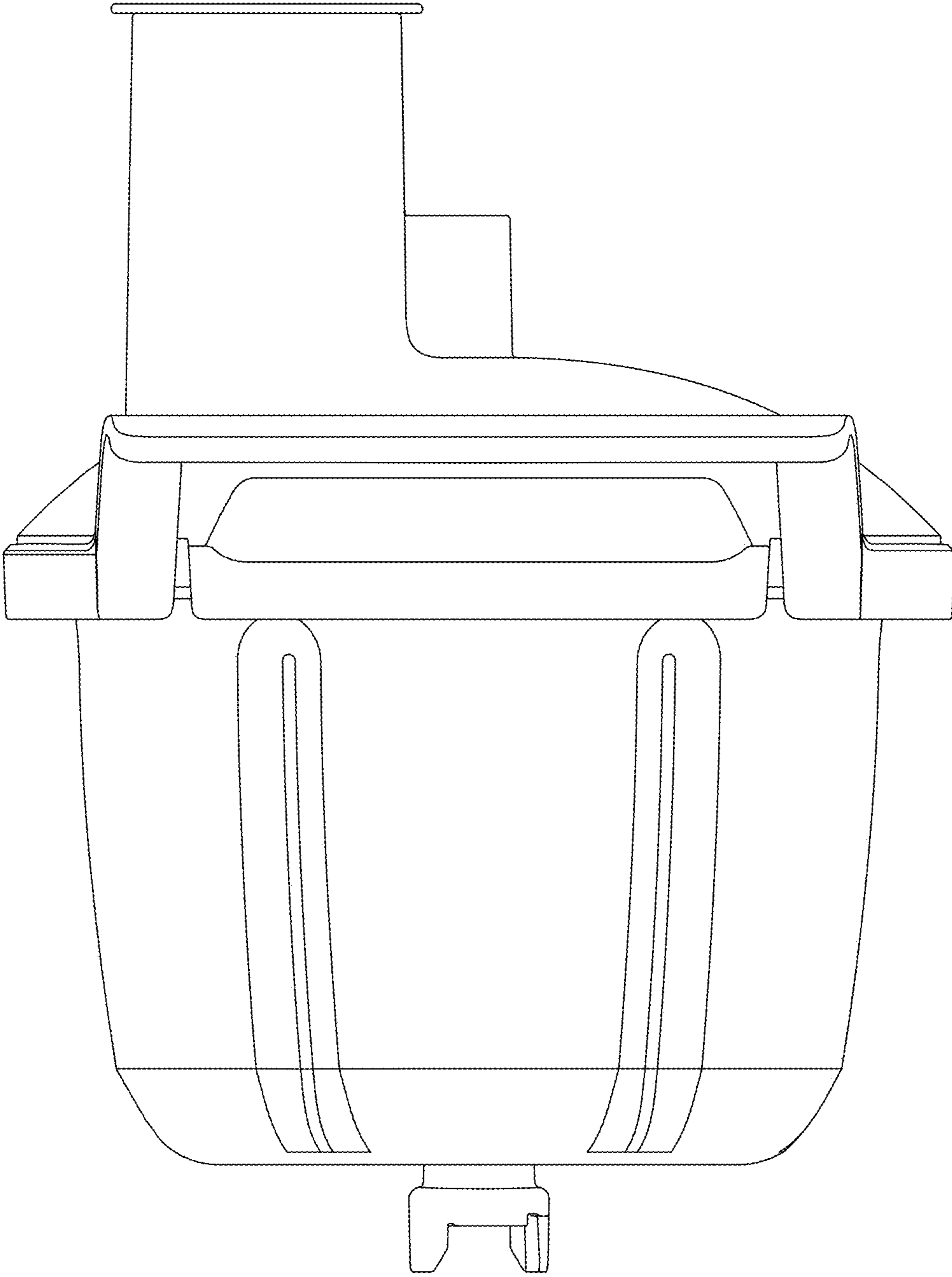


FIG. 6

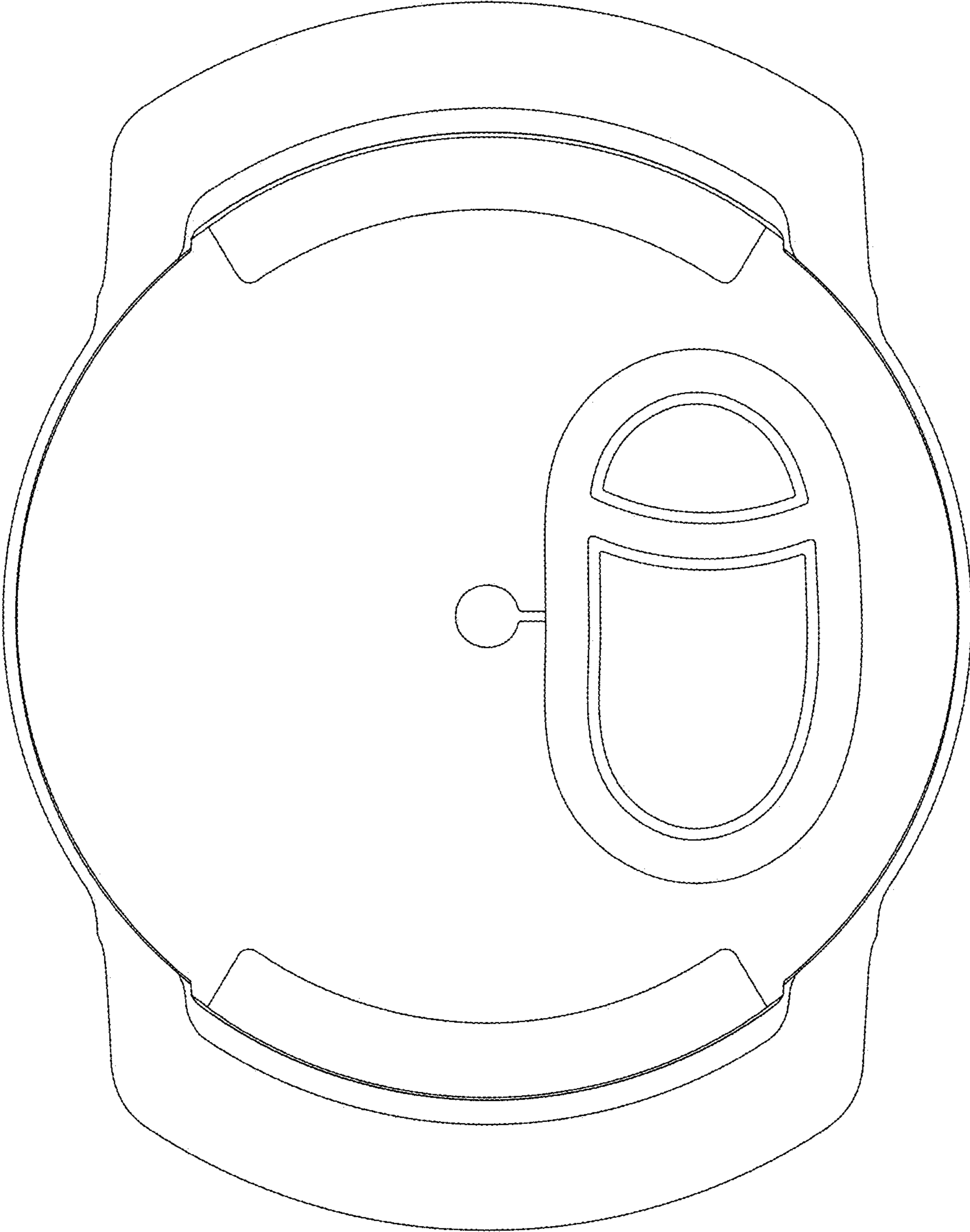


FIG. 7

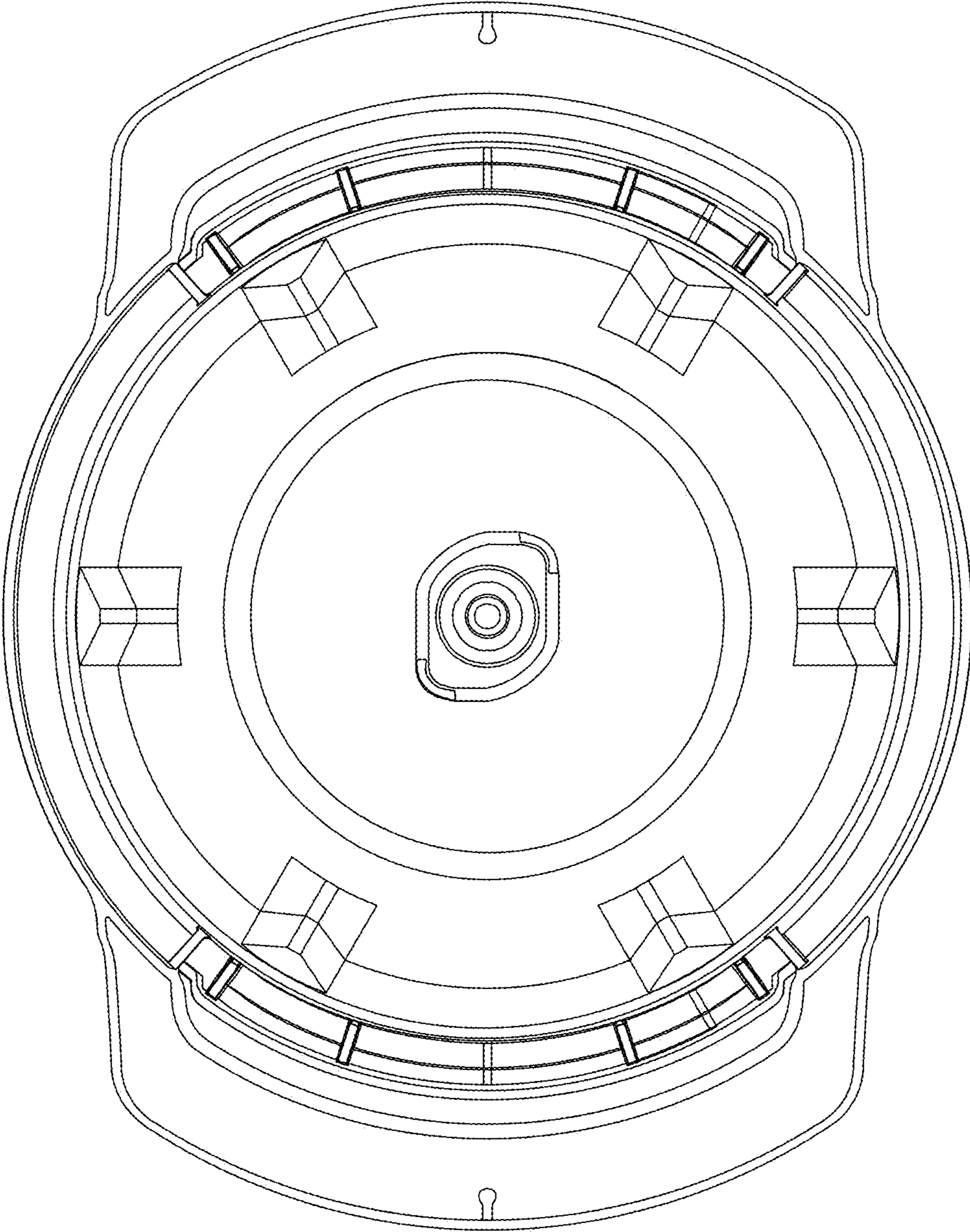


FIG. 8

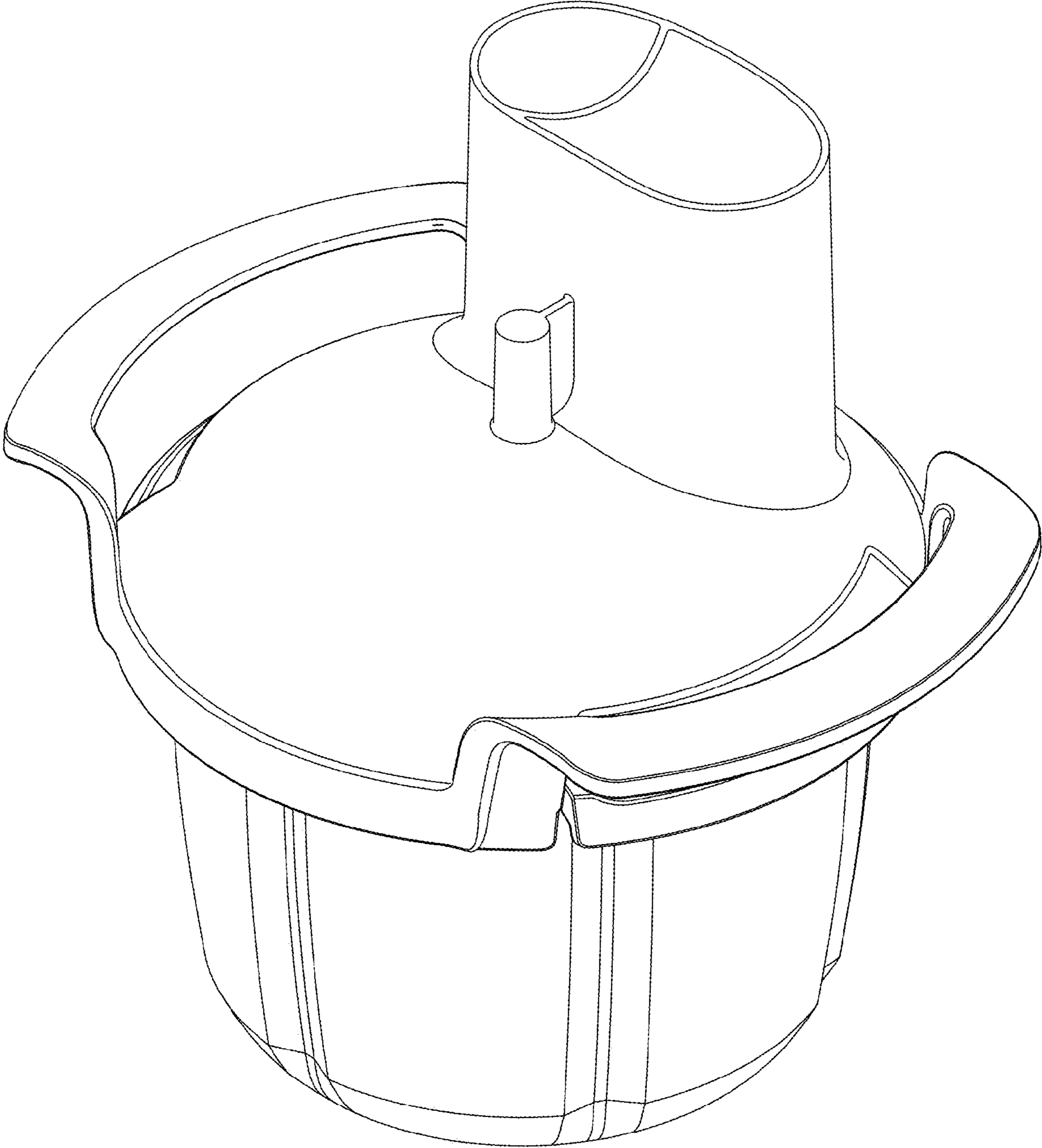


FIG. 9

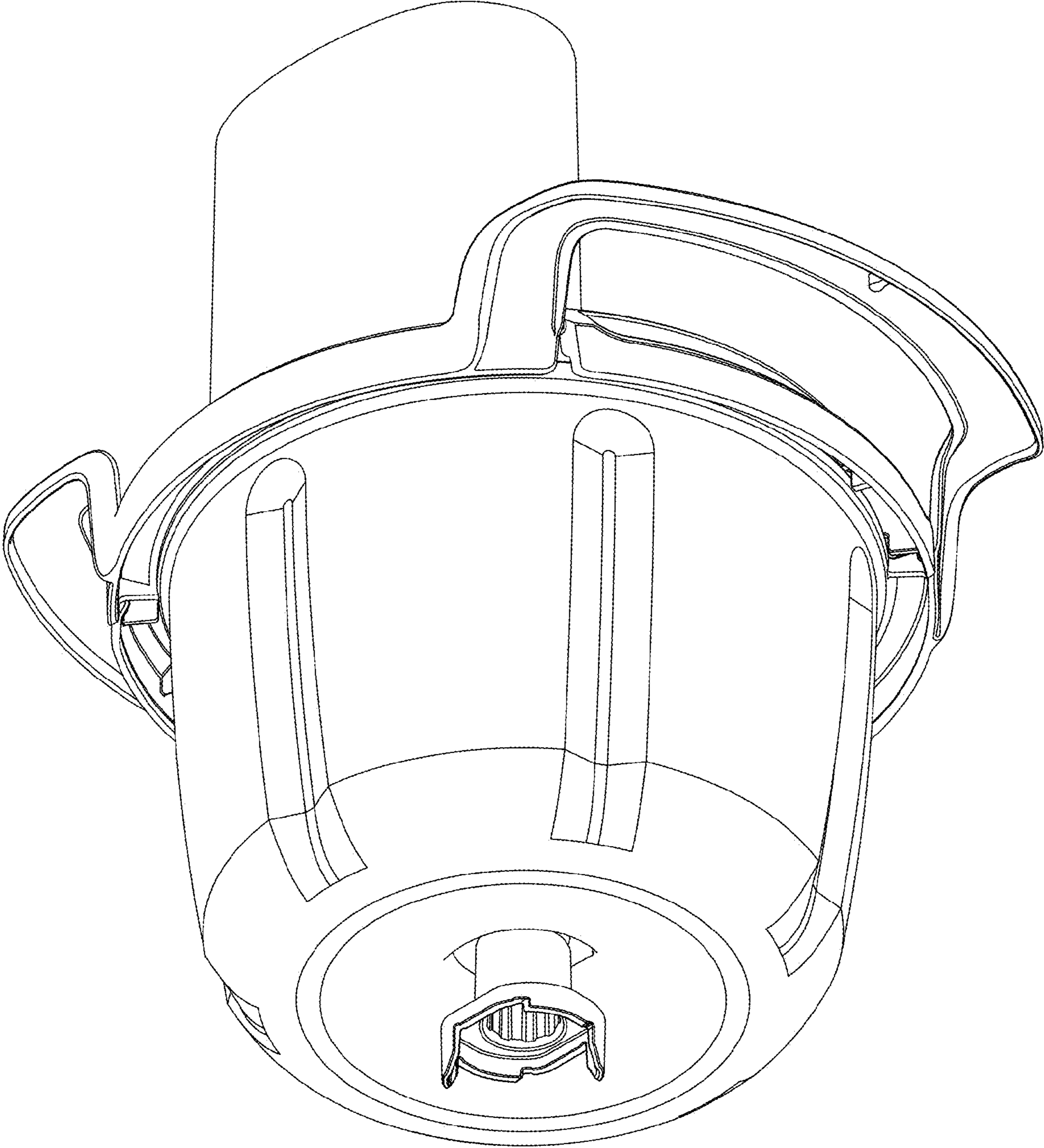


FIG. 10

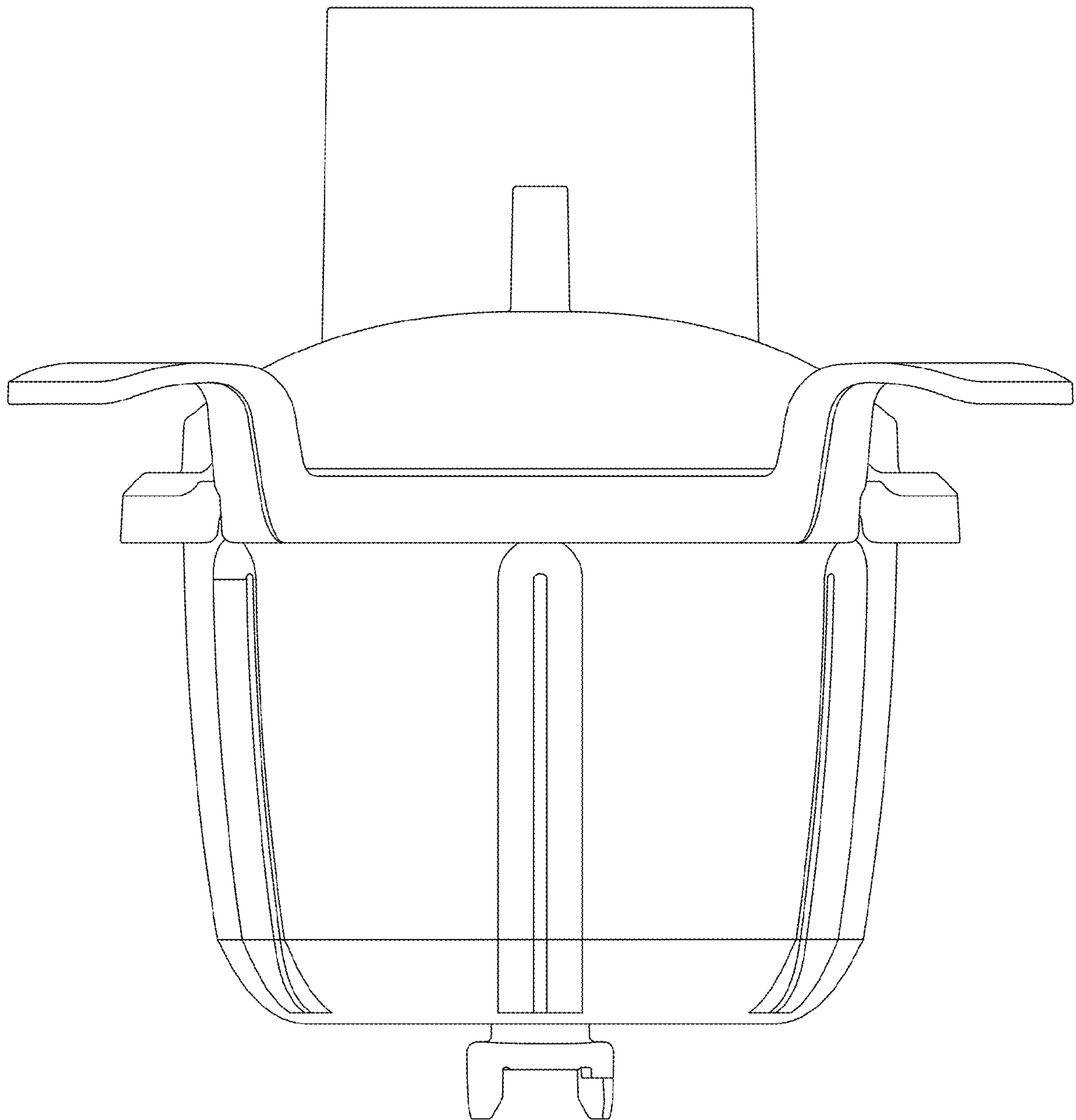


FIG. 11

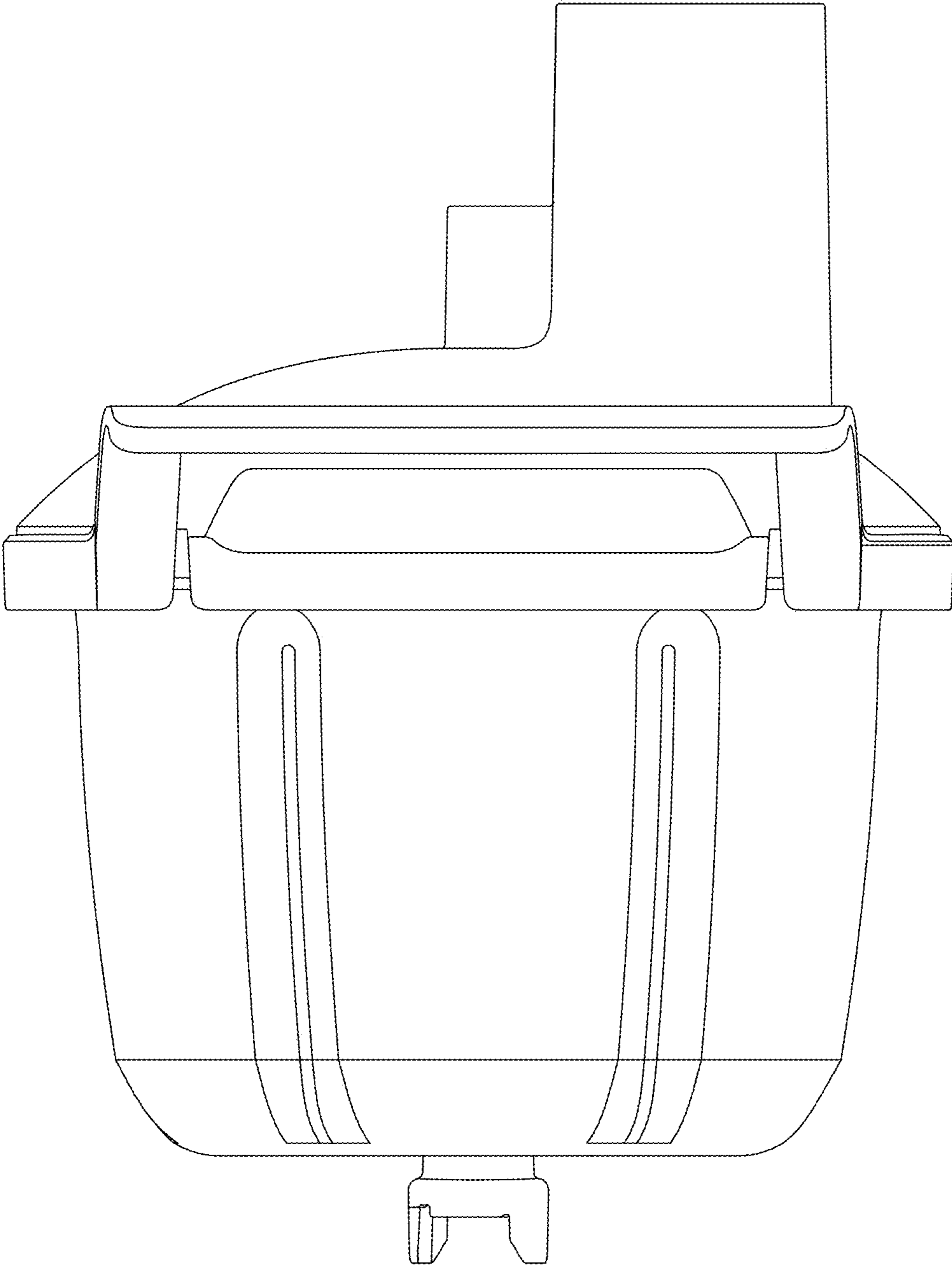


FIG. 12

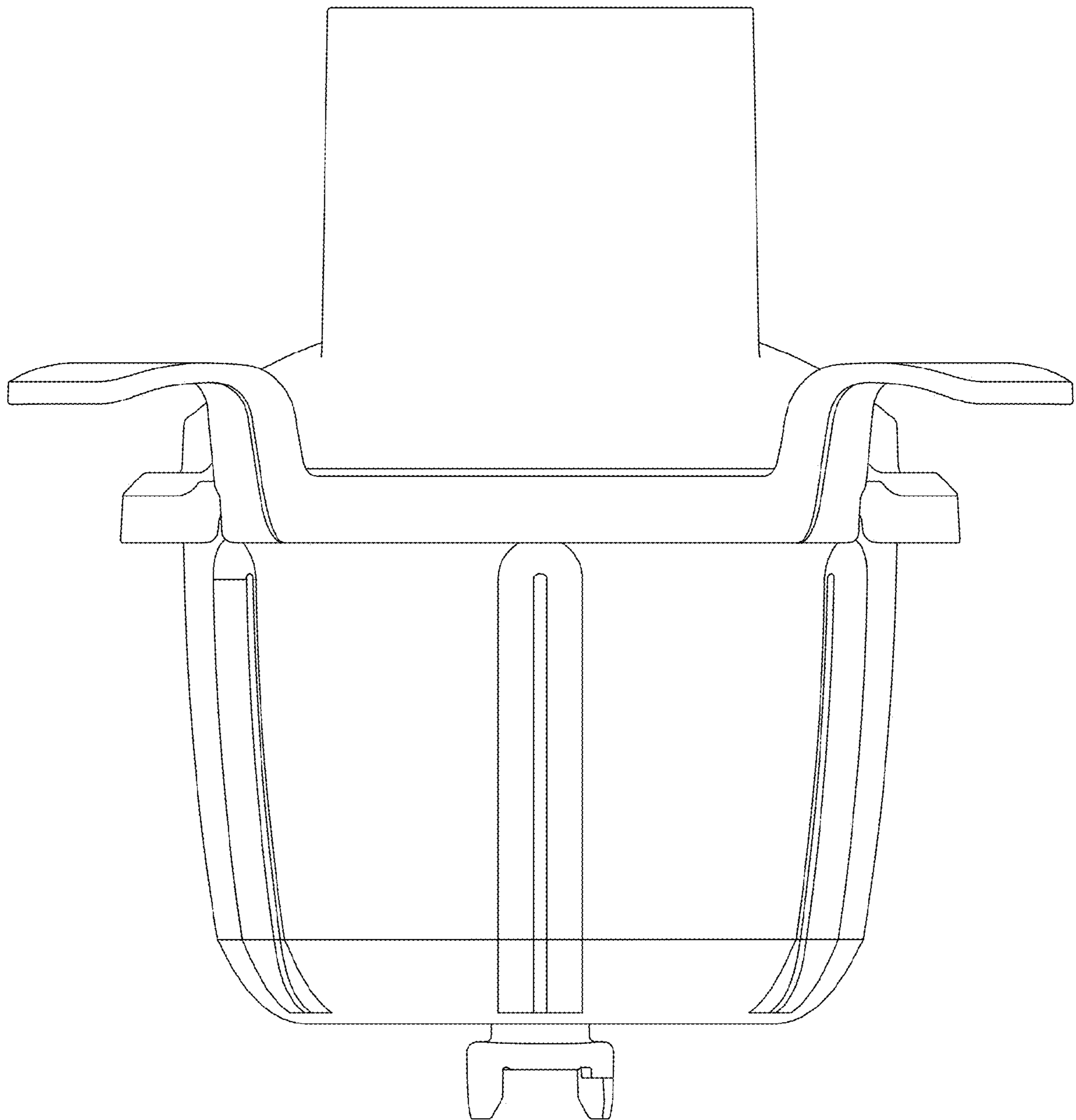


FIG. 13

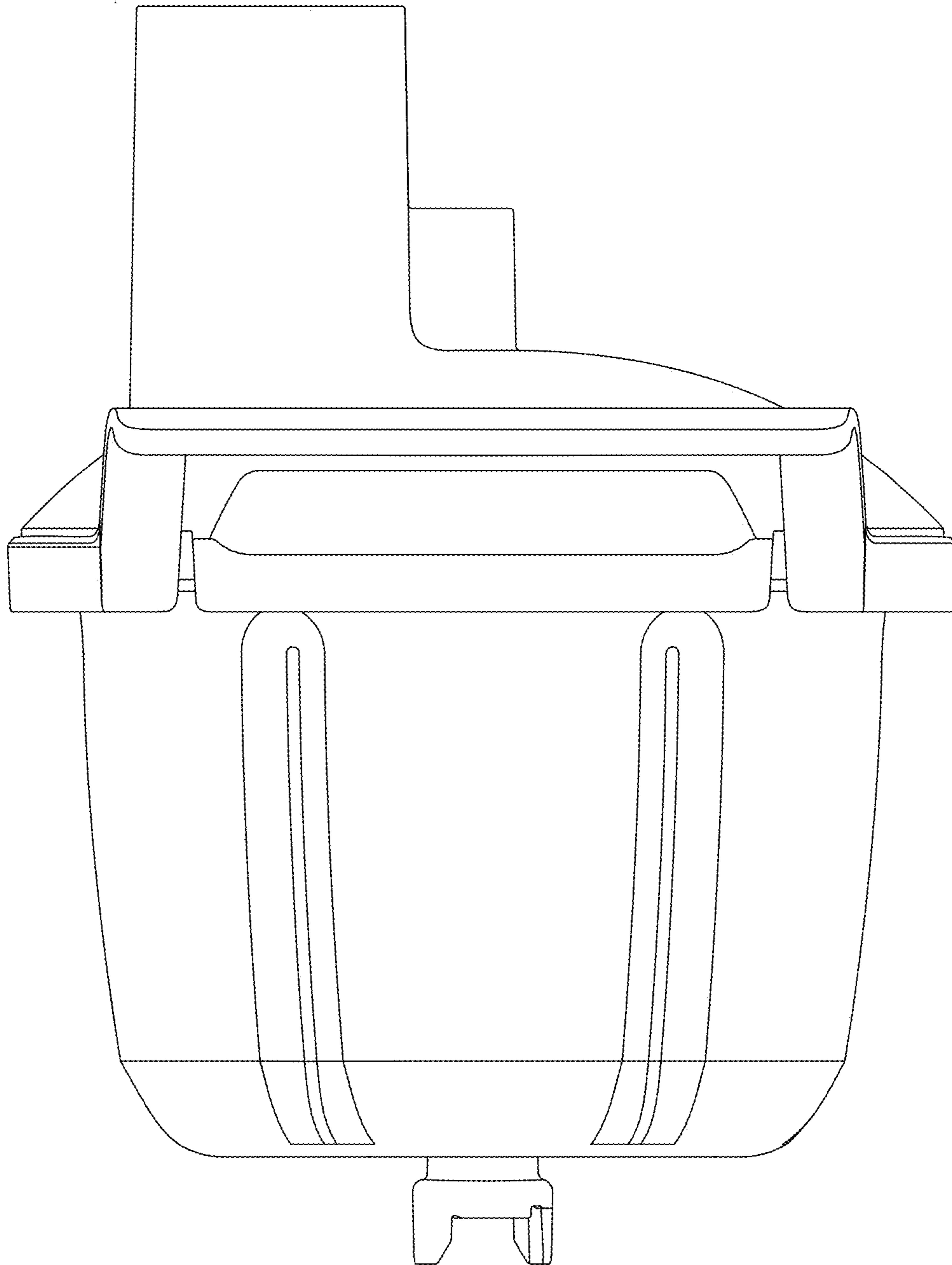


FIG. 14

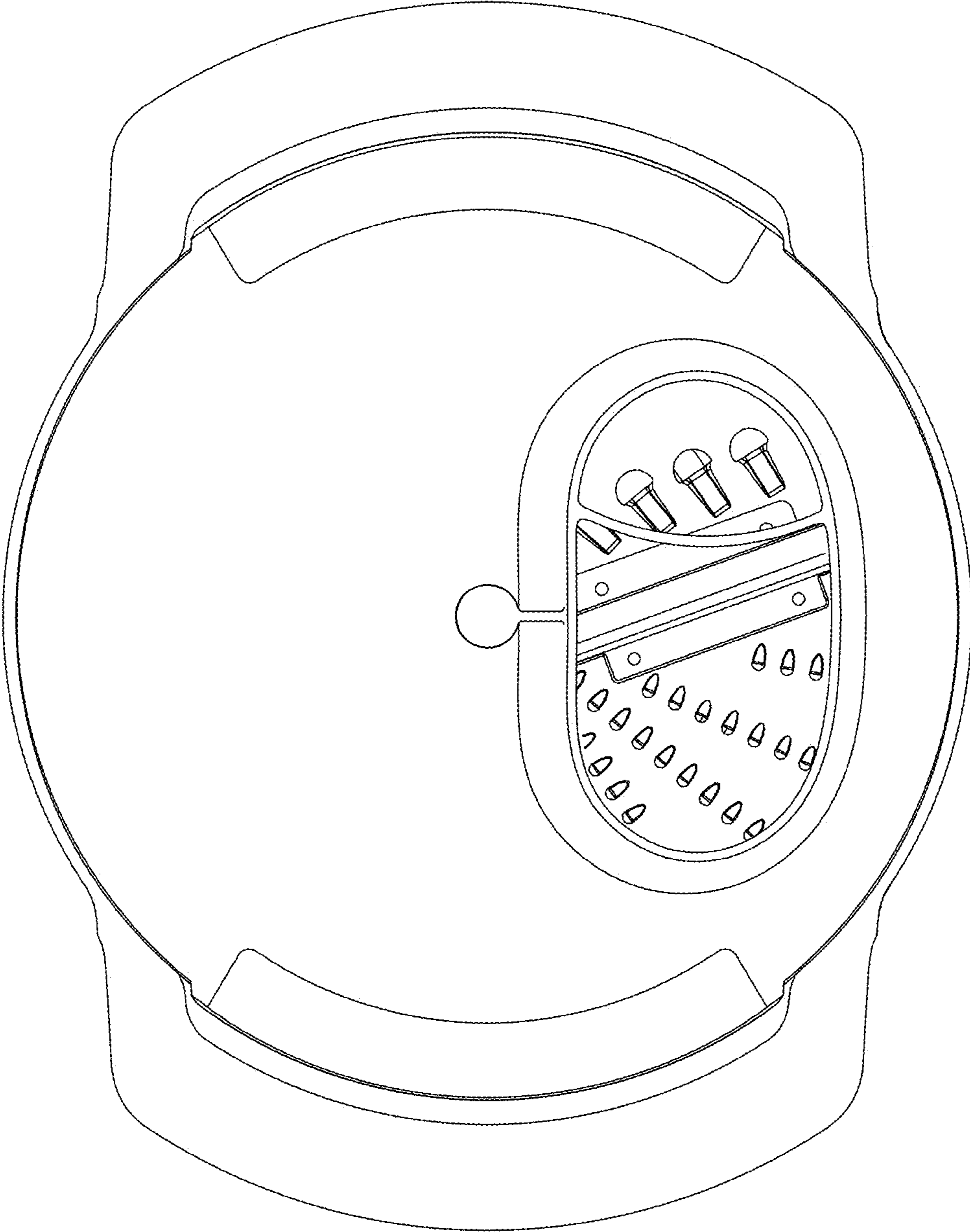


FIG. 15

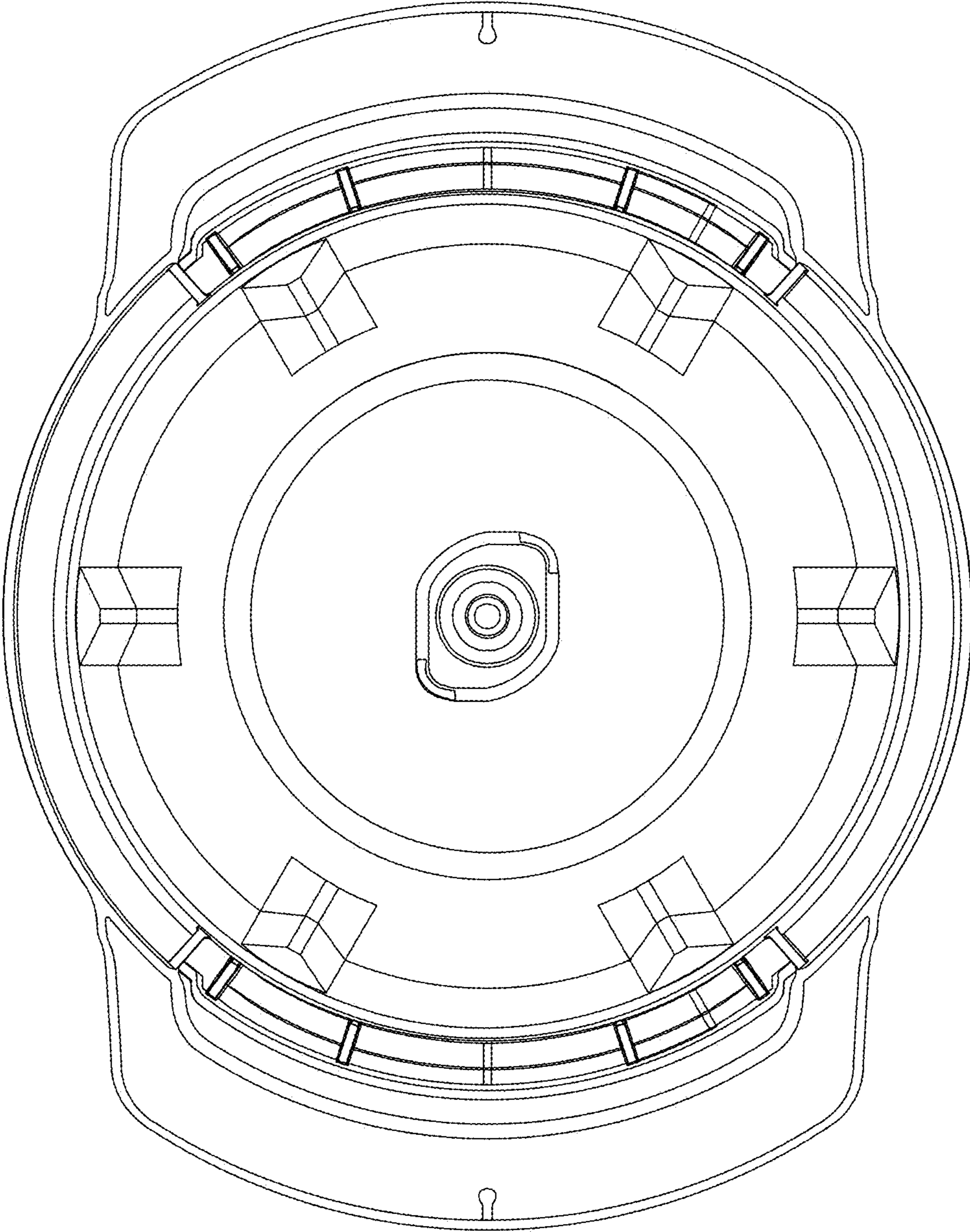


FIG. 16

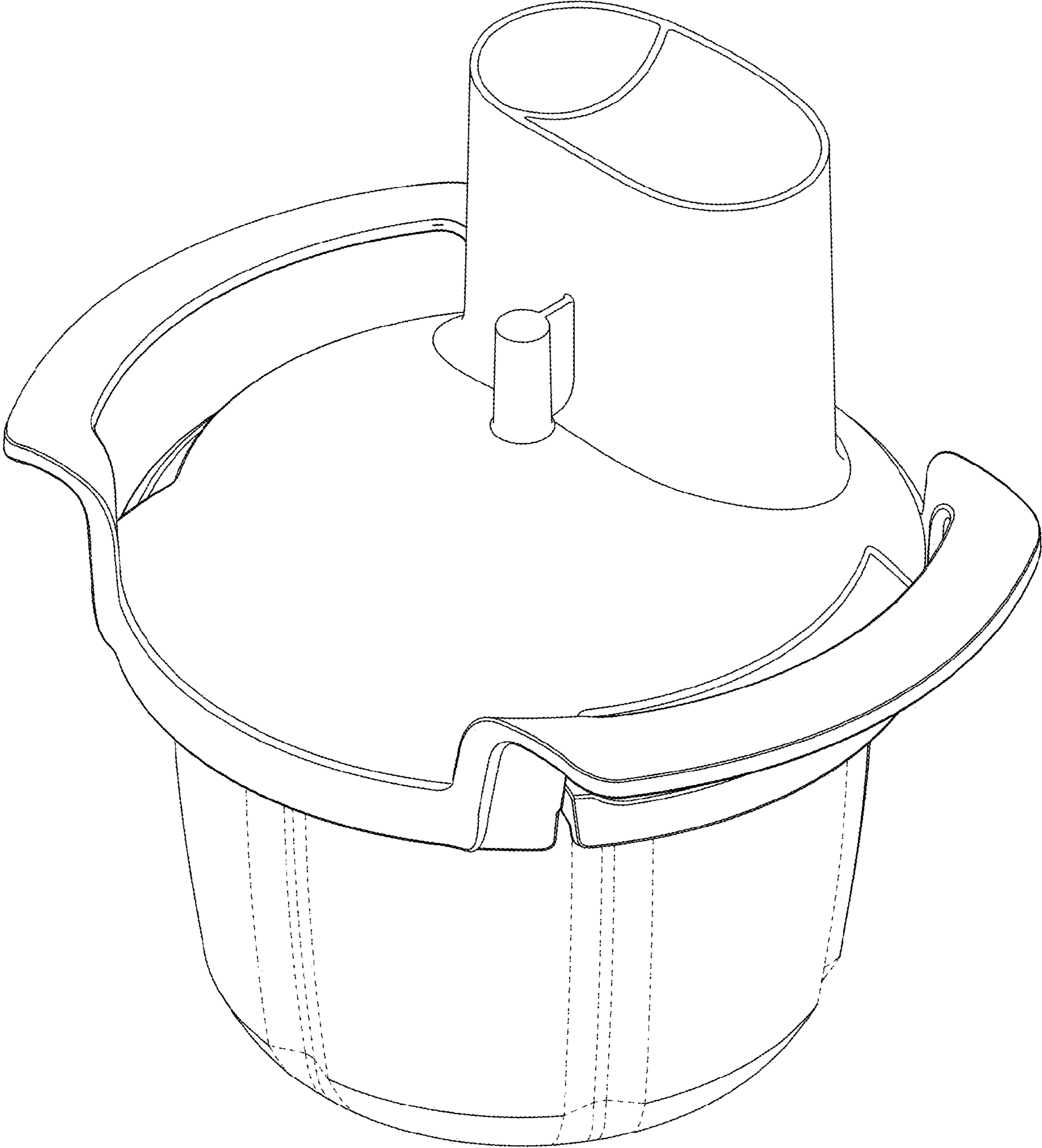


FIG. 17

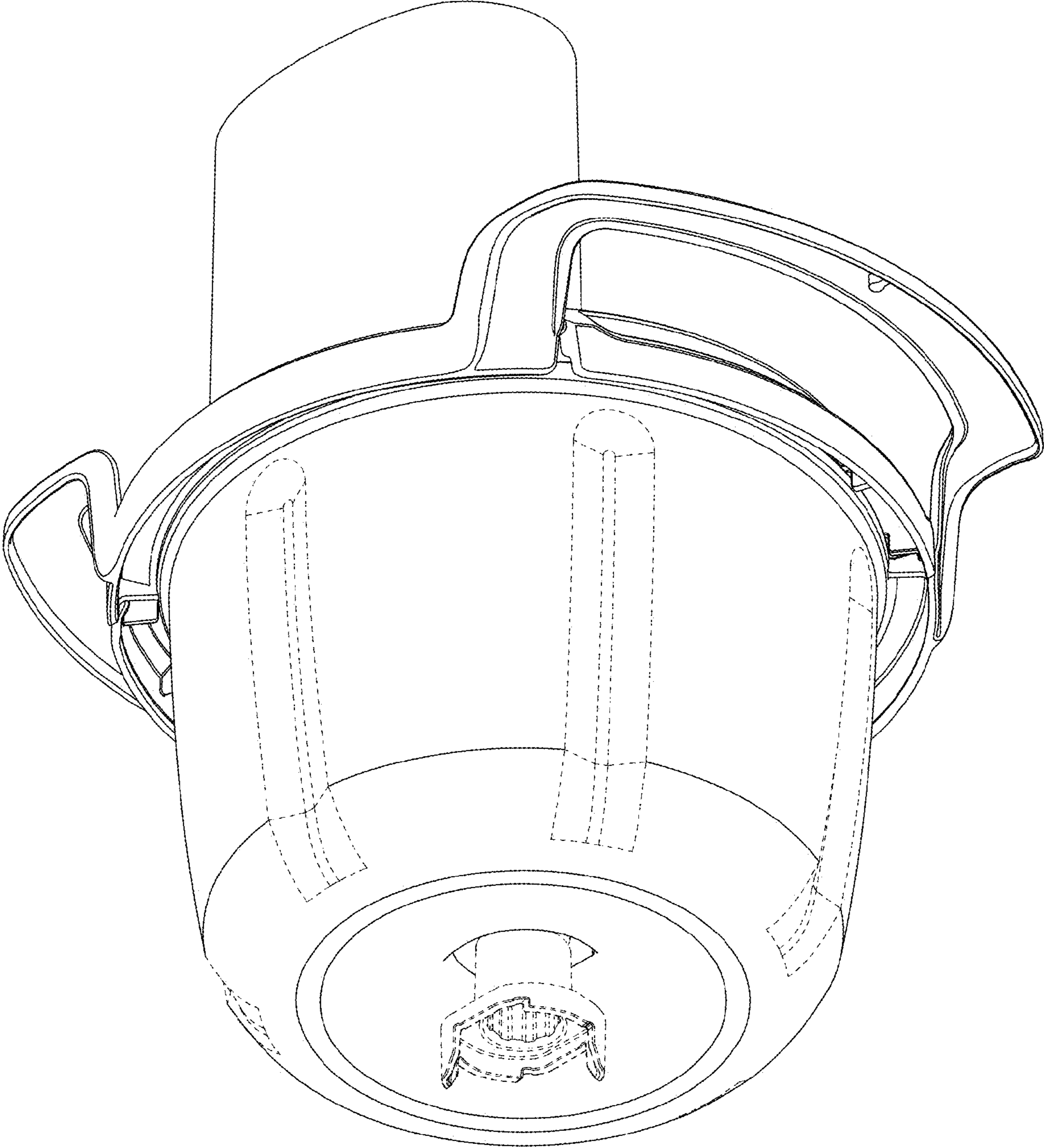


FIG. 18

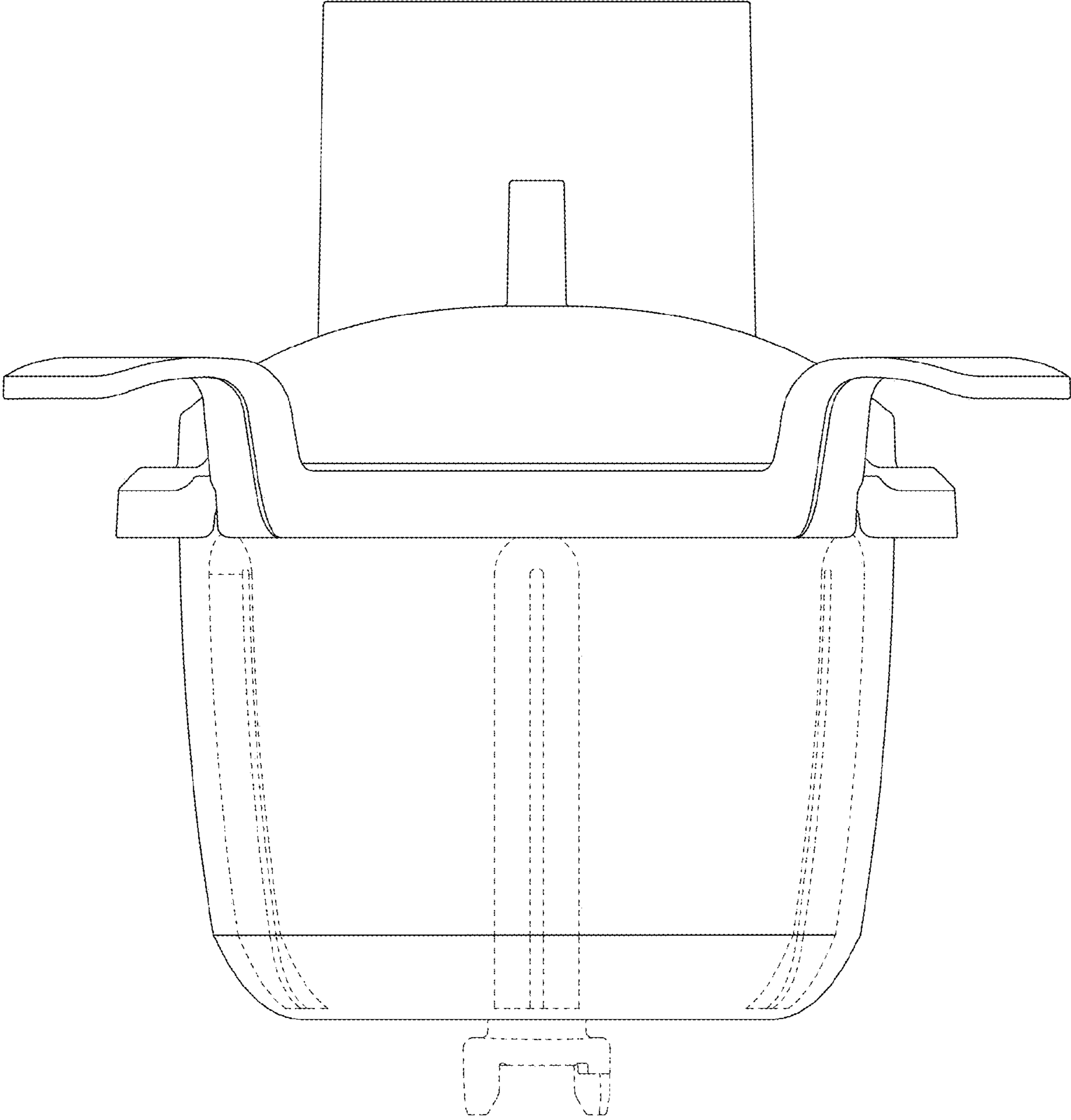


FIG. 19

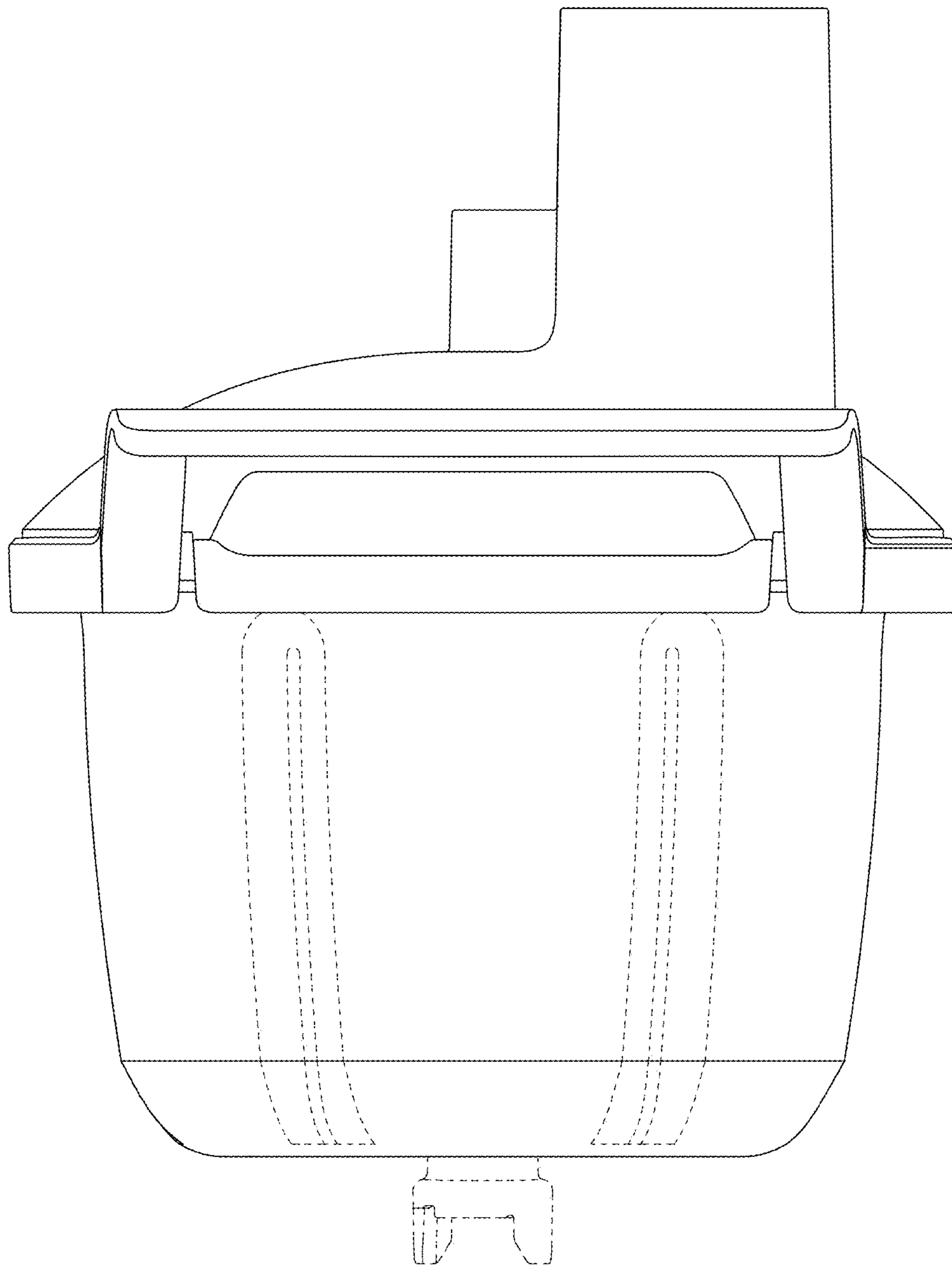


FIG. 20

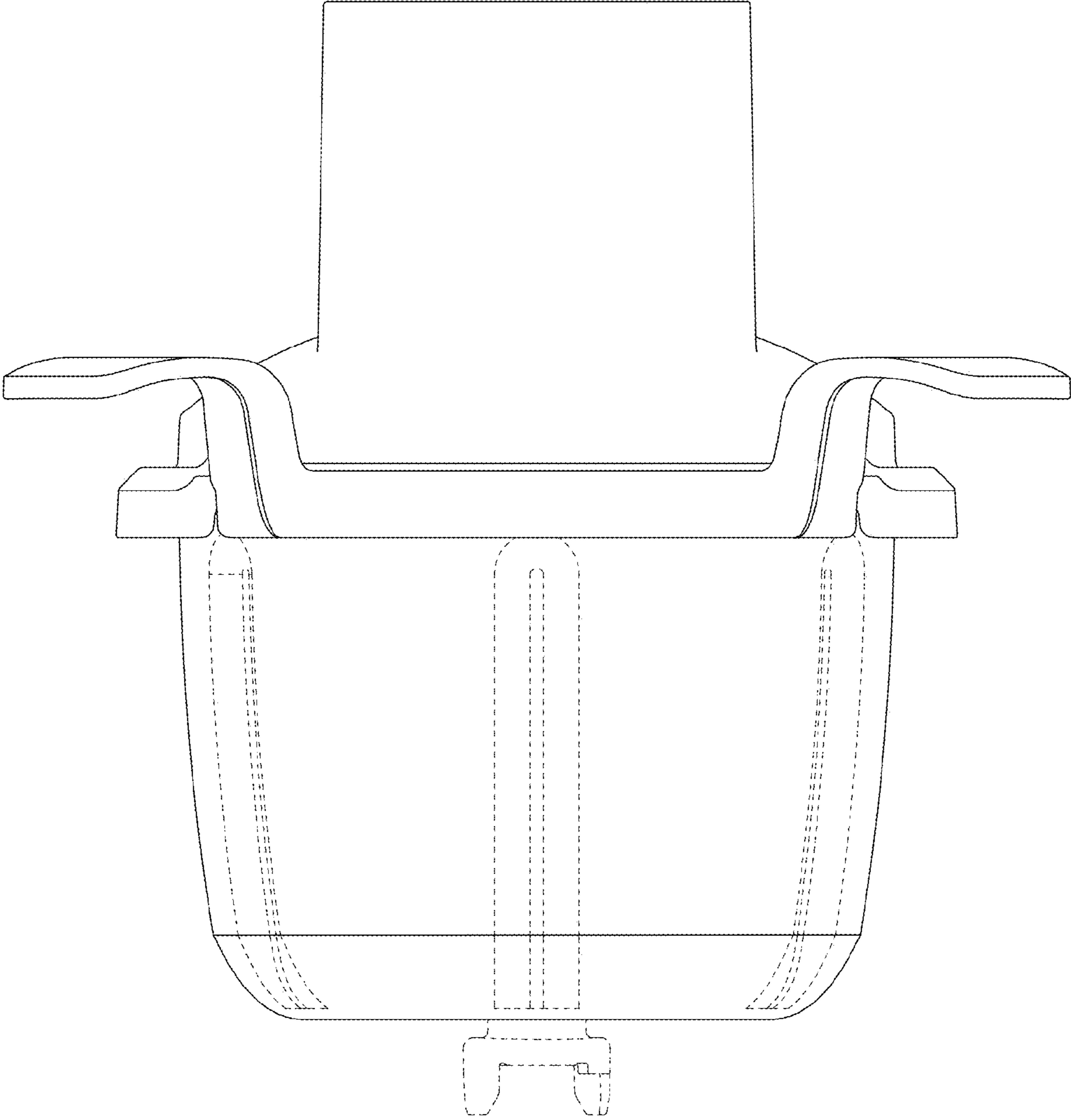


FIG. 21

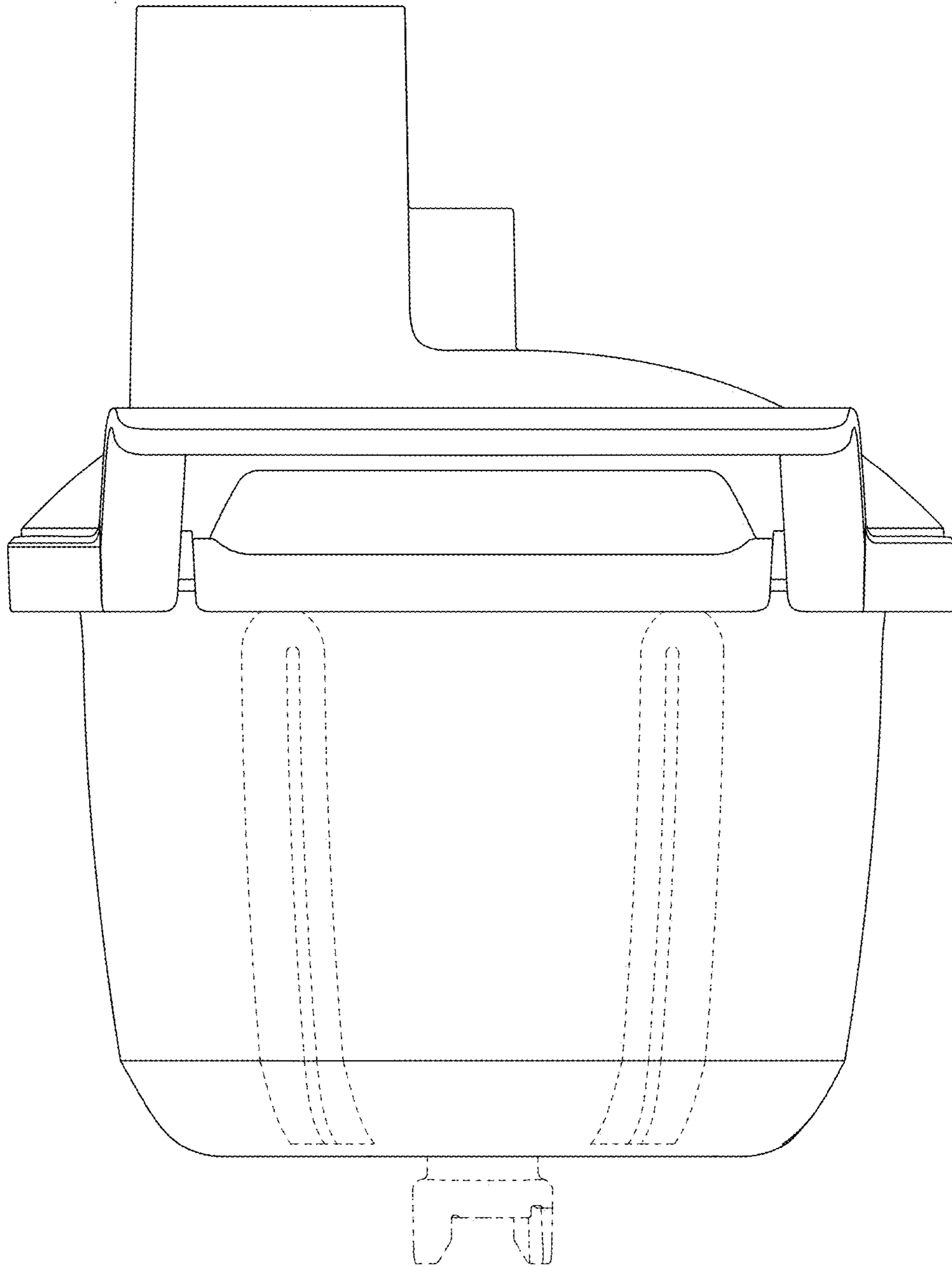


FIG. 22

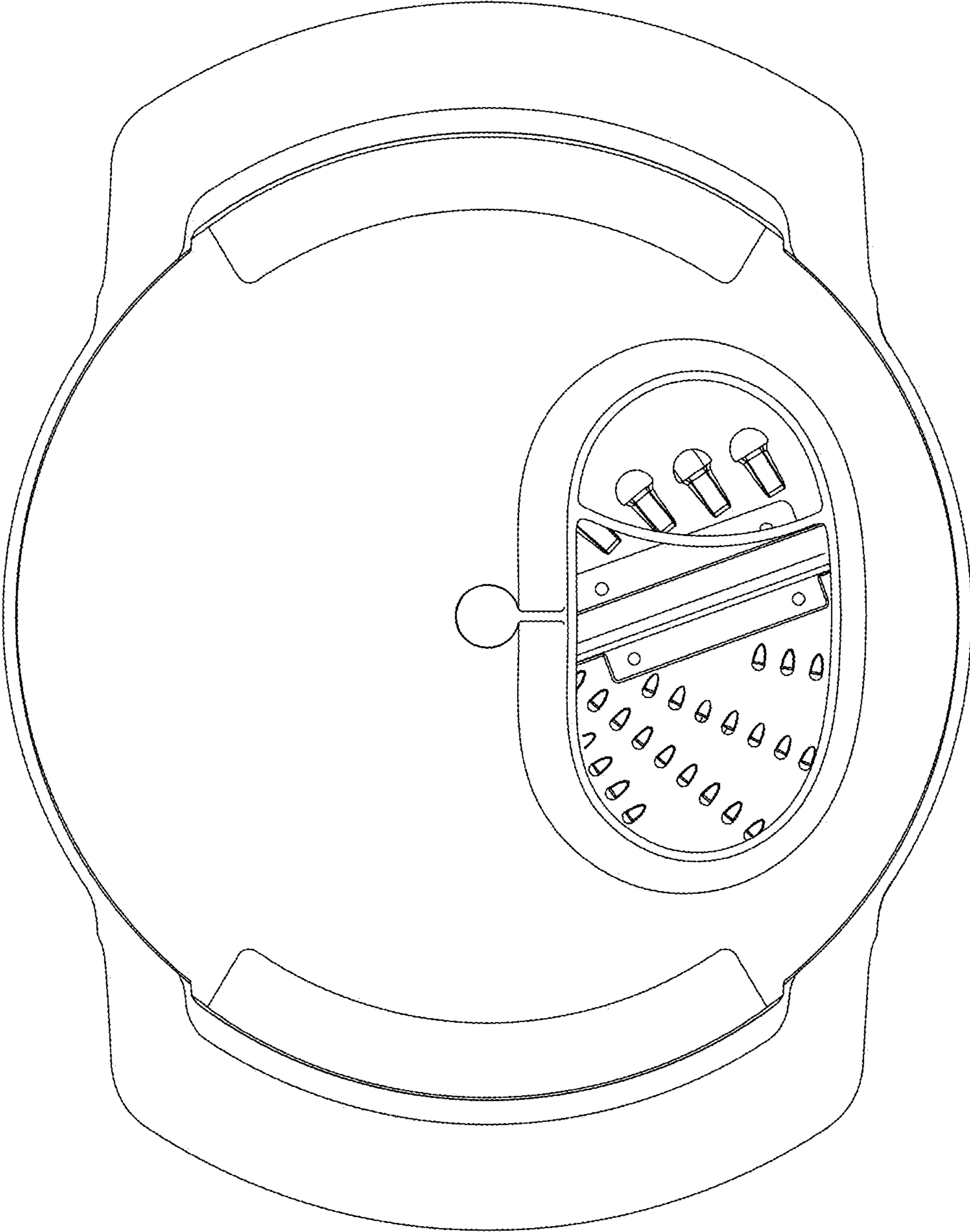


FIG. 23

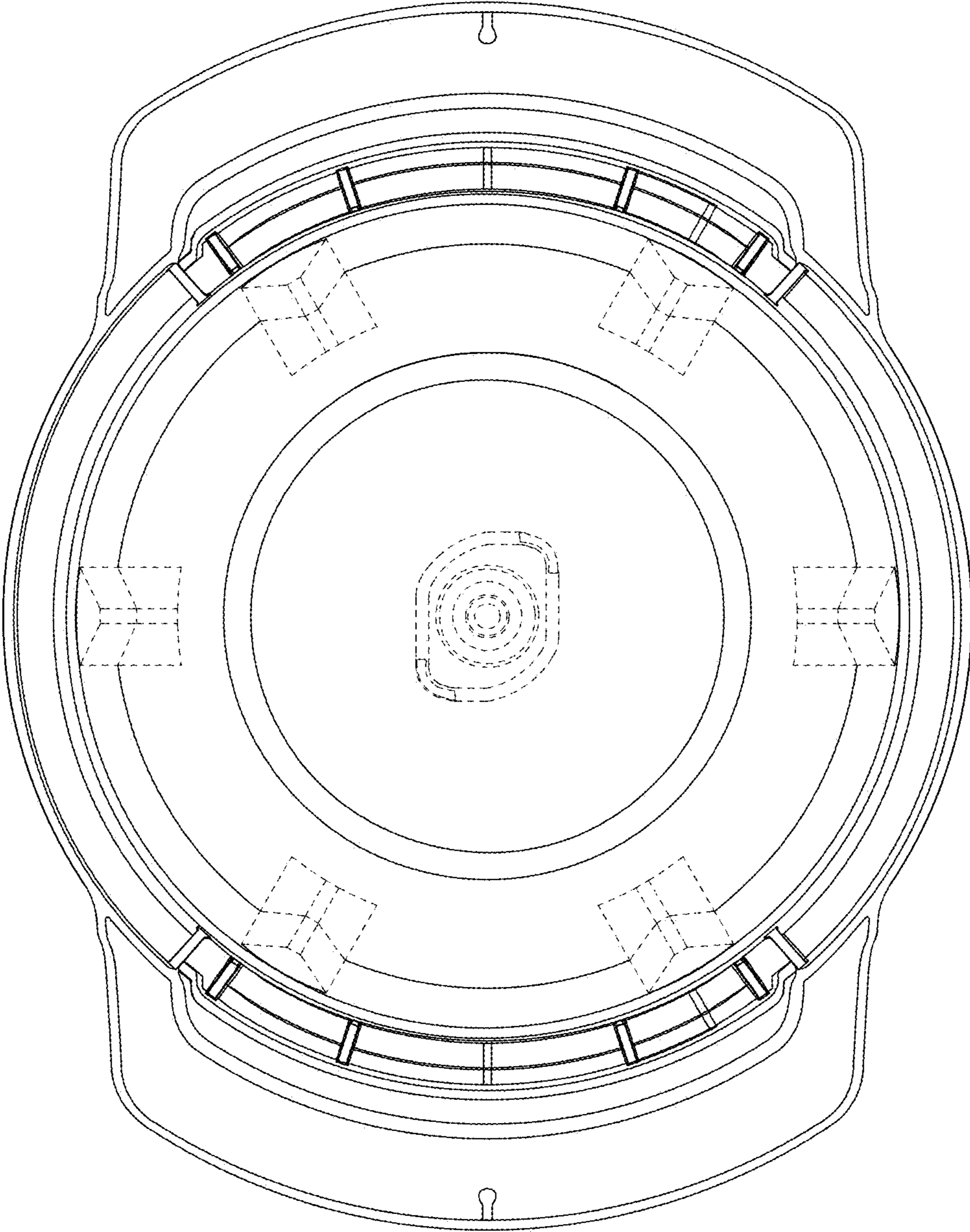


FIG. 24