



US0D1031189S

(12) **United States Design Patent**
Allison

(10) **Patent No.:** **US D1,031,189 S**
(45) **Date of Patent:** **** Jun. 11, 2024**

(54) **STORAGE CONTAINER FOR PET TOYS AND ACCESSORIES**

(71) Applicant: **PAW-U SC LLC**, Charleston, SC (US)

(72) Inventor: **Sarah Beth Allison**, Charleston, SC (US)

(73) Assignee: **PAW-U SC LLC**, Charleston, SC (US)

(**) Term: **15 Years**

(21) Appl. No.: **29/800,658**

(22) Filed: **Jul. 22, 2021**

(51) **LOC (14) Cl.** **30-99**

(52) **U.S. Cl.**
USPC **D30/199; D3/273; D3/290**

(58) **Field of Classification Search**
USPC **D30/108, 109, 112, 113, 114, 115, 116, D30/117, 119, 160, 199; D3/259, 272,**
(Continued)

(56) **References Cited**

U.S. PATENT DOCUMENTS

1,526,333 A * 2/1925 Gilbert A63H 33/042
74/397
3,040,954 A * 6/1962 Salmon B65D 5/64
229/164

(Continued)

FOREIGN PATENT DOCUMENTS

GB 6086992 * 4/2020

OTHER PUBLICATIONS

The Pup Planter, posted date unavailable [online], [retrieved Dec. 2, 2022]. Retrieved from internet <https://paw-u.com/the-pup-planter> (Year: 2022).*

Primary Examiner — Samantha Wood

Assistant Examiner — Emily A Caven

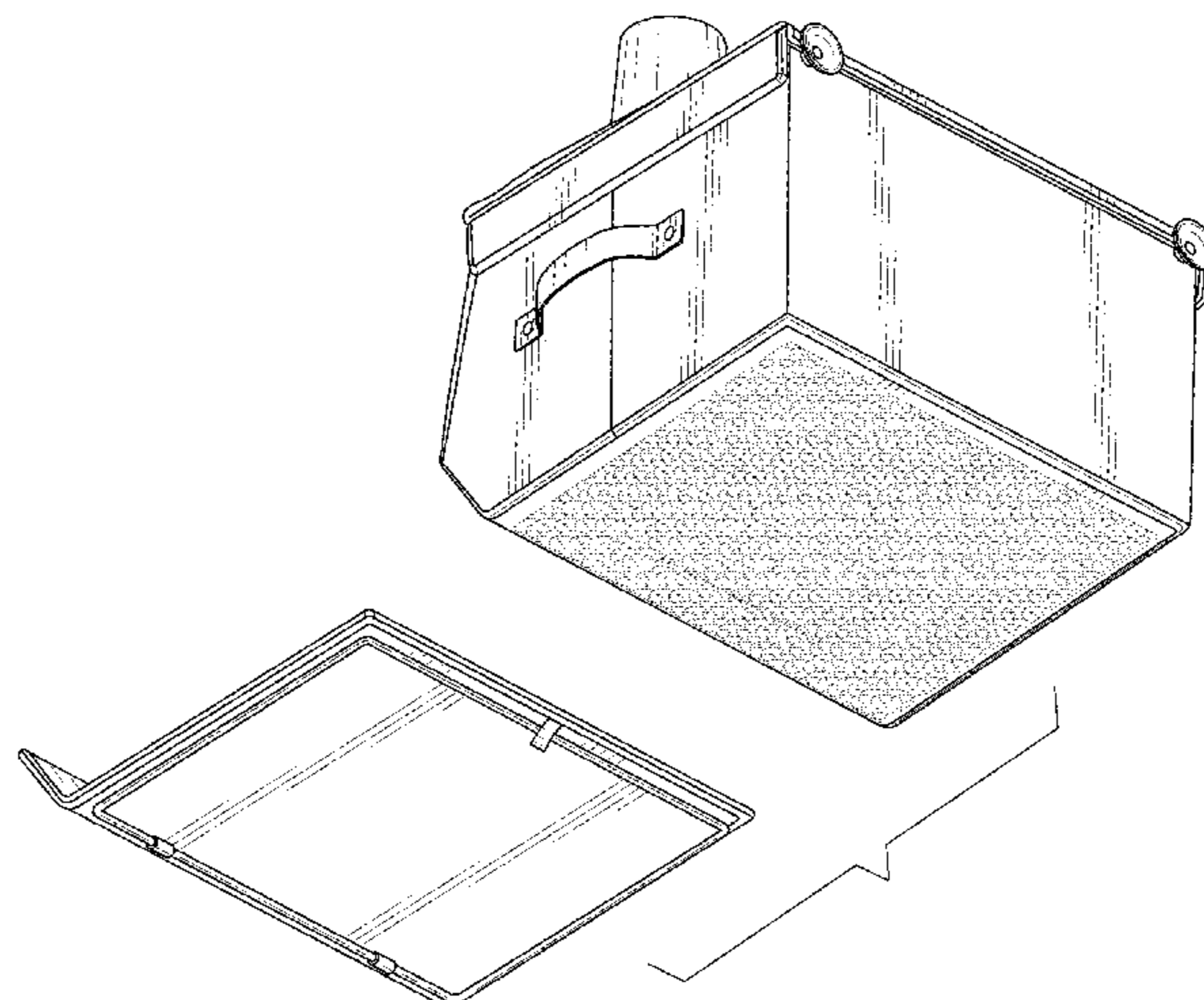
(57) **CLAIM**

The ornamental design for a storage container for pet toys and accessories, as shown and described.

DESCRIPTION

FIG. 1 is a front-top-left perspective view of a storage container for pet toys and accessories showing my new design;
FIG. 2 is a rear-bottom-left perspective view thereof;
FIG. 3 is a front elevational view thereof;
FIG. 4 is a rear elevational view thereof;
FIG. 5 is a right elevational view thereof;
FIG. 6 is a left elevational view thereof;
FIG. 7 is a top plan view thereof;
FIG. 8 is a bottom plan view thereof;
FIG. 9 is a front-top-left perspective view thereof in an open configuration;
FIG. 10 is a front-bottom-right perspective view thereof in the open configuration;
FIG. 11 is a front elevational view thereof in the open configuration;
FIG. 12 is a rear elevational view thereof in the open configuration;
FIG. 13 is a right elevational view thereof in the open configuration;
FIG. 14 is a left elevational view thereof in the open configuration;
FIG. 15 is a top plan view thereof in the open configuration;
FIG. 16 is a bottom plan view thereof in the open configuration;
FIG. 17 is a front-top-left perspective view thereof in an exploded configuration;
FIG. 18 is a rear-bottom-left perspective view thereof in the exploded configuration;
FIG. 19 is a supplemental front-top-left perspective view thereof; and,
FIG. 20 is a supplemental rear-top-left perspective view thereof.
The broken lines in FIGS. 19 and 20 illustrate environmental structure that forms no part of the claimed design. The

(Continued)



broken lines in FIGS. 2-6, 8, 10-14, 16, and 18 illustrate portions of the article that form no part of the claimed design.

B65D 11/10; B65D 11/18; B65D 2205/00; B65D 2205/02; B65D 81/361
See application file for complete search history.

1 Claim, 20 Drawing Sheets

(56)

References Cited

U.S. PATENT DOCUMENTS

(58) **Field of Classification Search**

USPC D3/273, 274, 276, 282, 288, 290, 294,
D3/299, 304, 305, 307, 308, 309, 315;
D6/667; D9/414, 420, 430, 432, 499
CPC .. A01K 15/0125; A01K 15/02; A01K 15/025;
A01K 15/035; A01K 15/031; A01K
1/0035; A01K 1/0125; A01K 1/0245;
A01K 1/0254; A01K 1/029; A01K 1/03;
A01K 1/031; A01K 1/032; A01K 1/033;
A01K 1/034; A01K 31/002; A01K
31/005; A01K 31/07; A01K 31/08; A01D
45/005; B65D 85/50; B65D 5/4295;

D283,310	S	*	4/1986	Sussman	D9/423
D336,243	S	*	6/1993	Evans	D3/294
D597,835	S	*	8/2009	Kwon	D9/432
D630,015	S	*	1/2011	Weng	D3/276
D646,057	S	*	10/2011	Loaiza	D3/273
D663,198	S	*	7/2012	White	D9/430
D672,164	S	*	12/2012	Christopher	D6/667
D676,238	S	*	2/2013	Wu	D3/294
D838,479	S	*	1/2019	Felsenthal	A63H 33/042 D3/294
D946,889	S	*	3/2022	Shu	D3/274
2023/0000055	A1	*	1/2023	Ebbers	A01K 15/02
2023/0026287	A1	*	1/2023	Allison	B65D 25/10

* cited by examiner

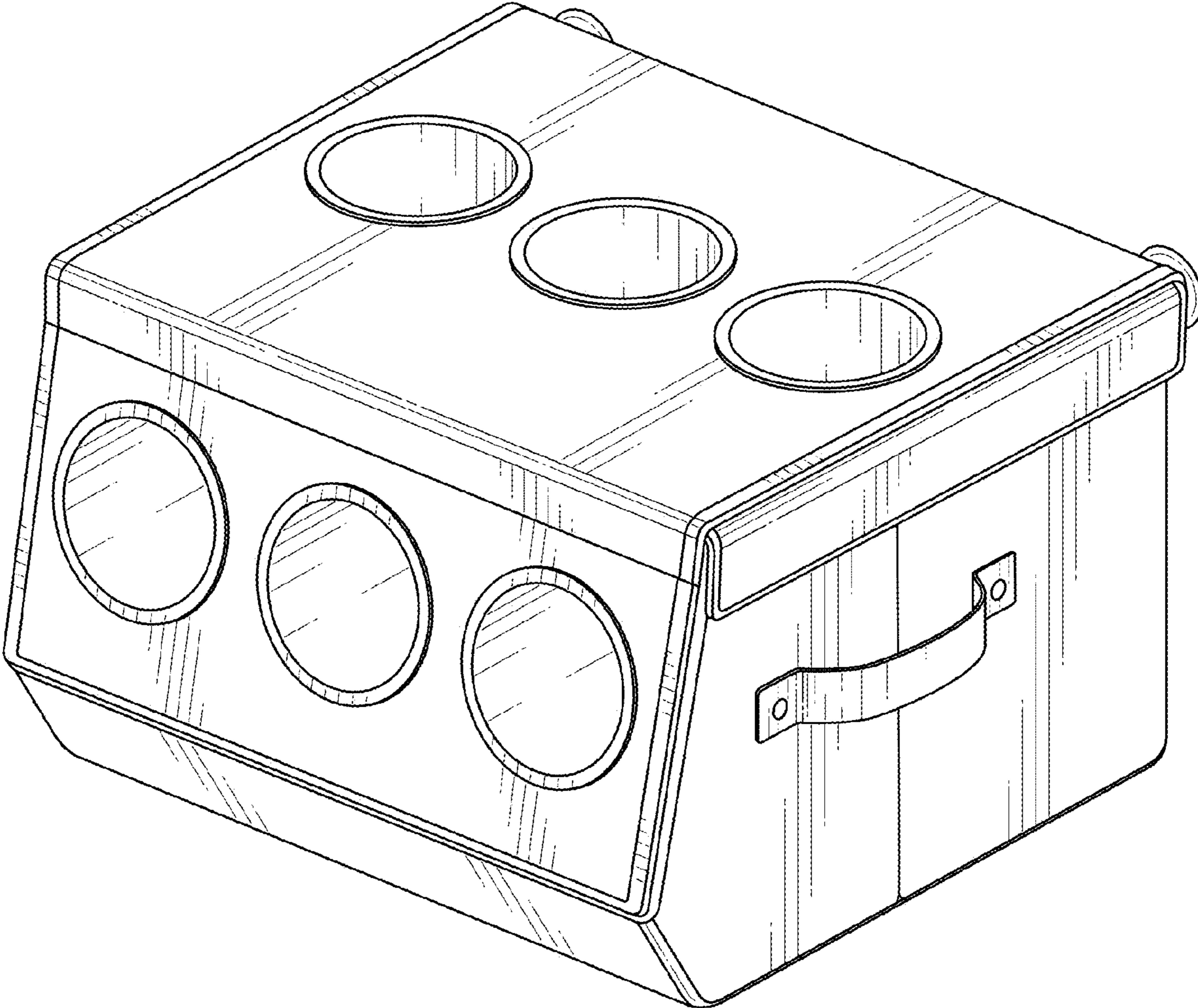


FIG. 1

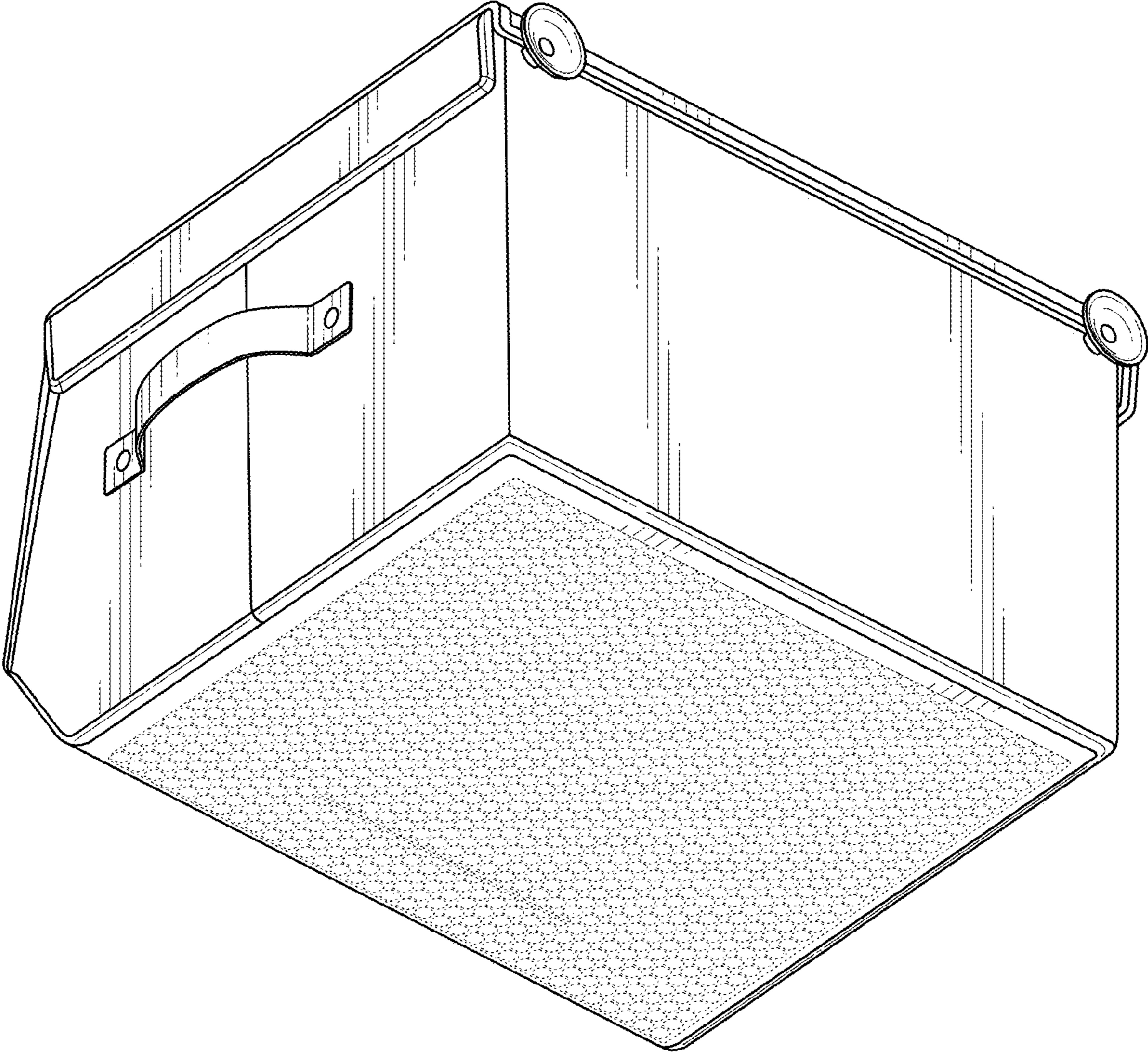


FIG. 2

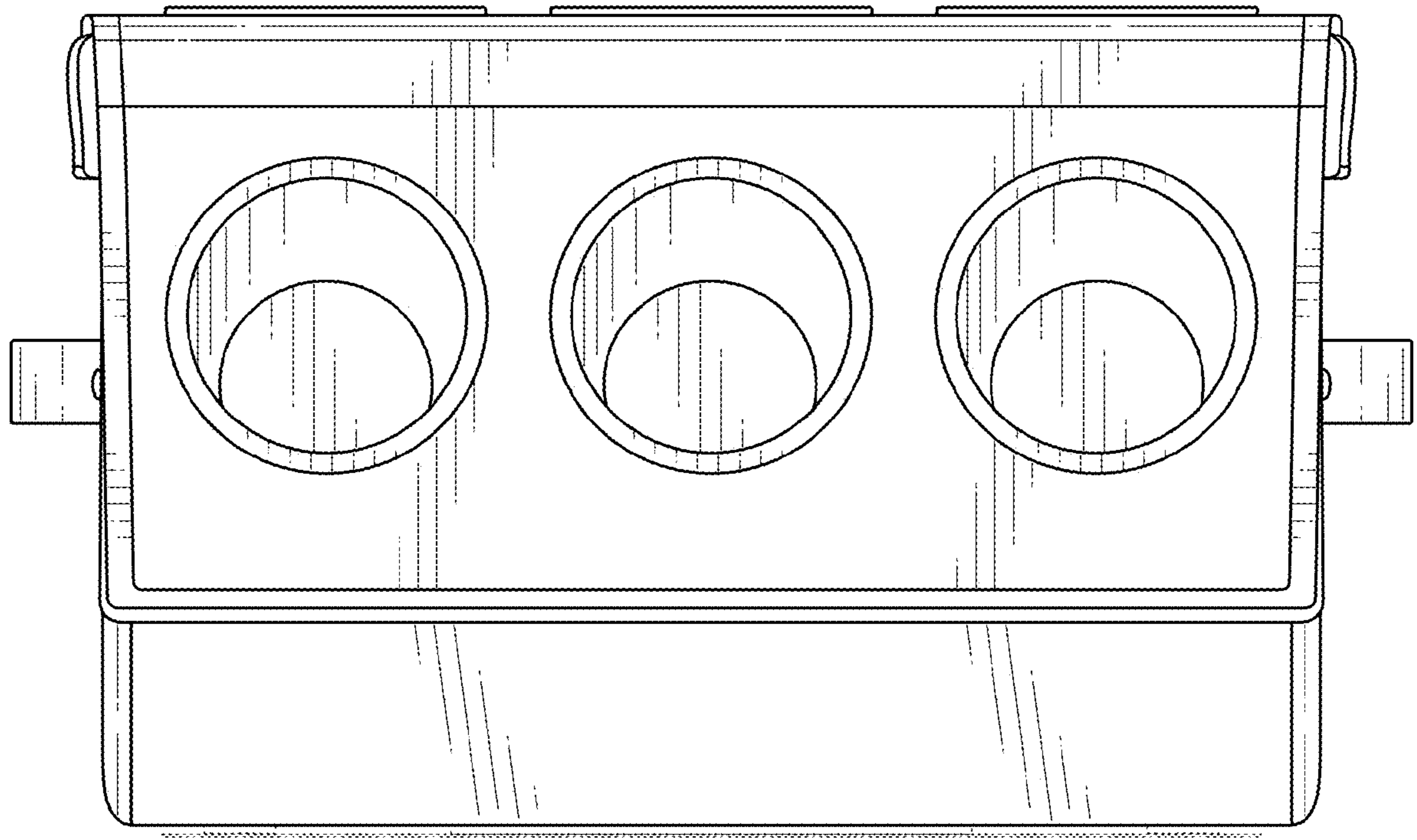


FIG. 3

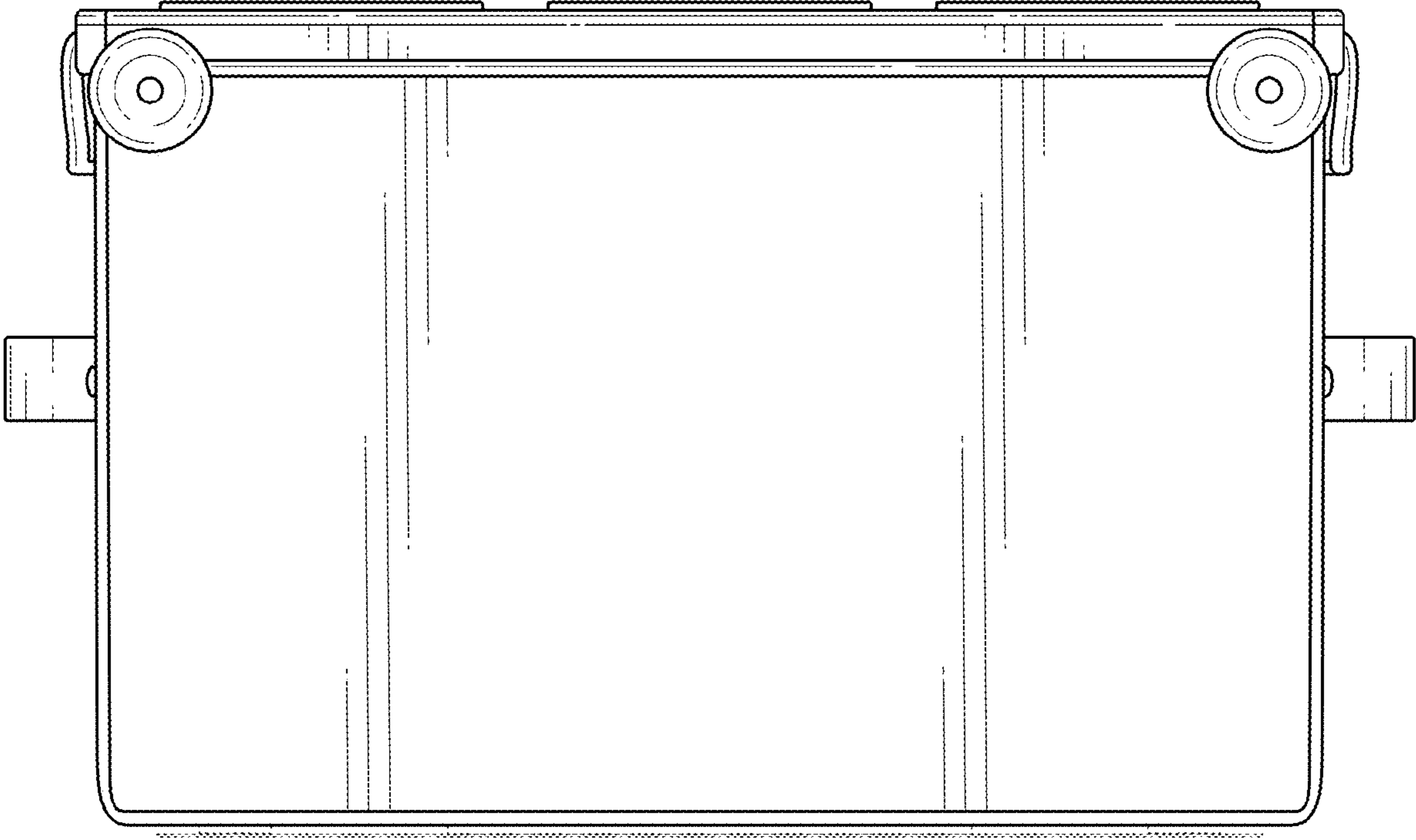


FIG. 4

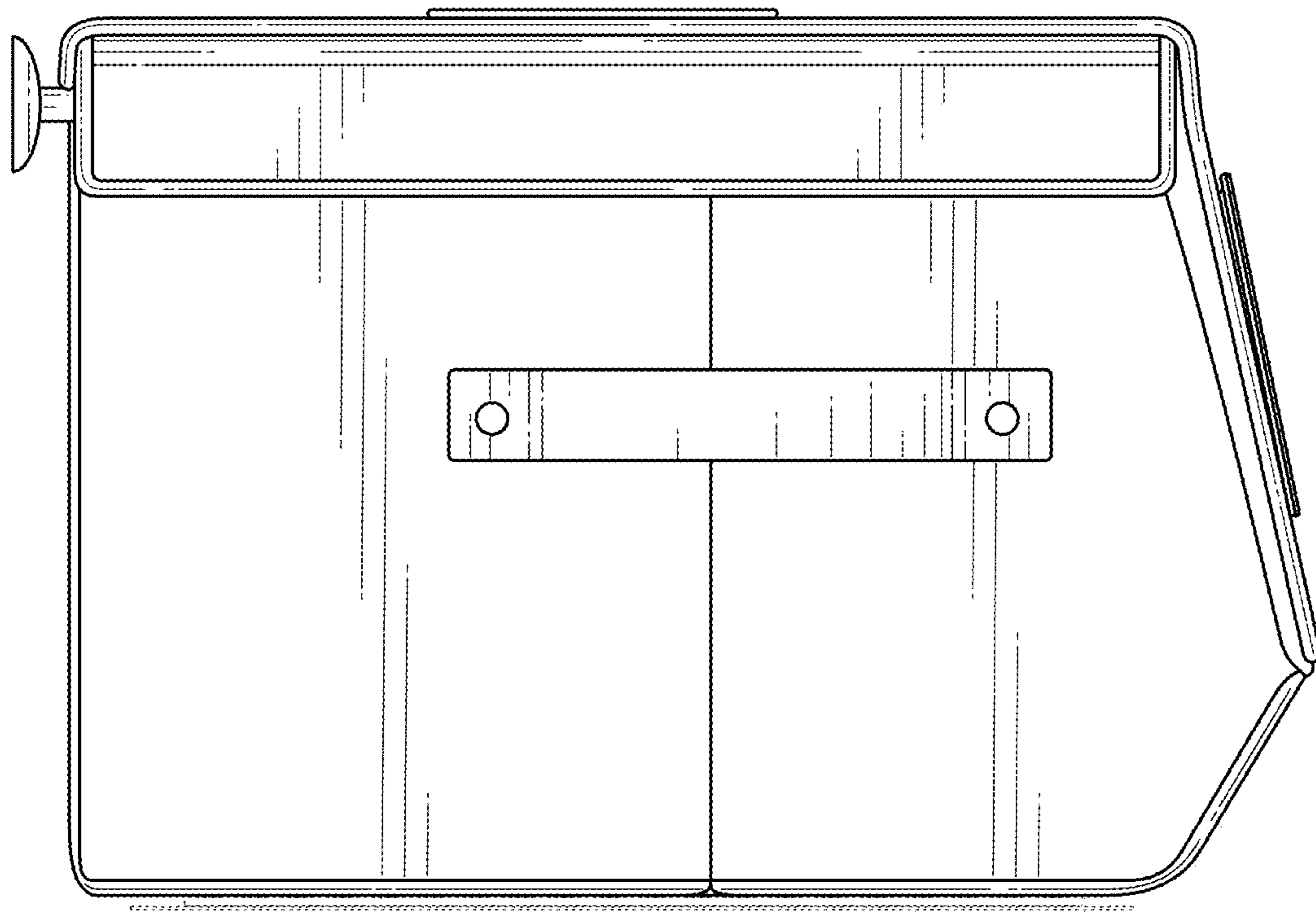


FIG. 5

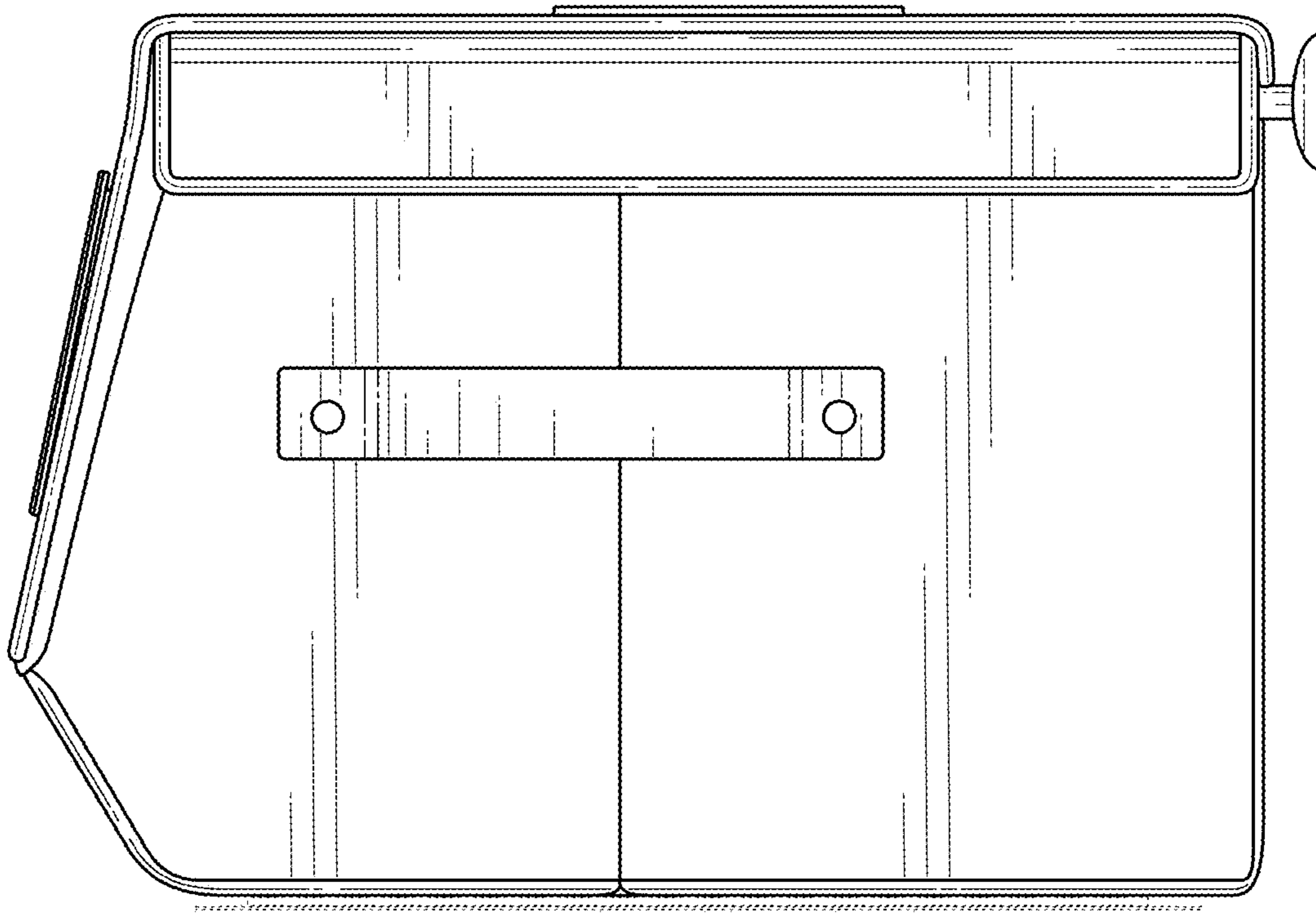


FIG. 6

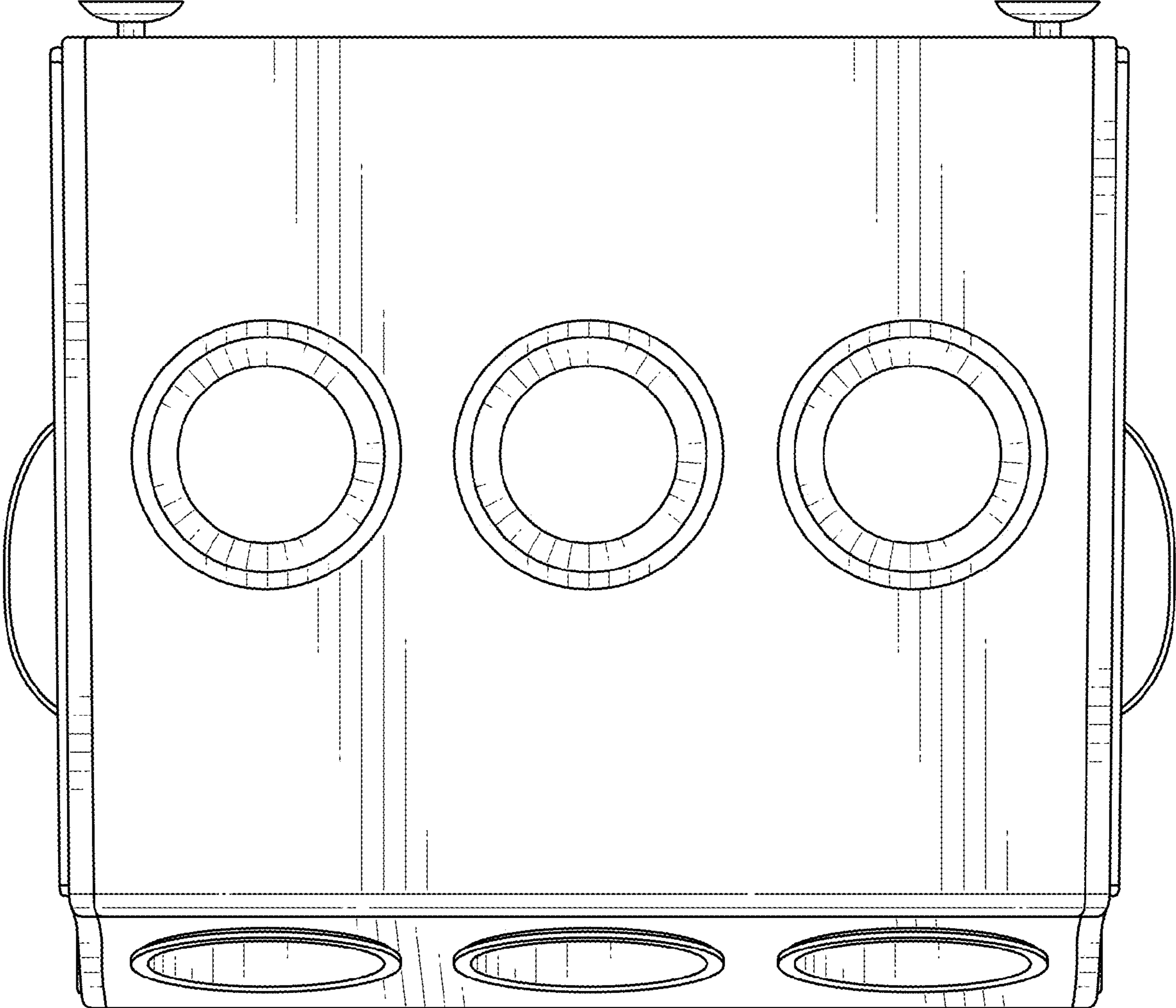


FIG. 7

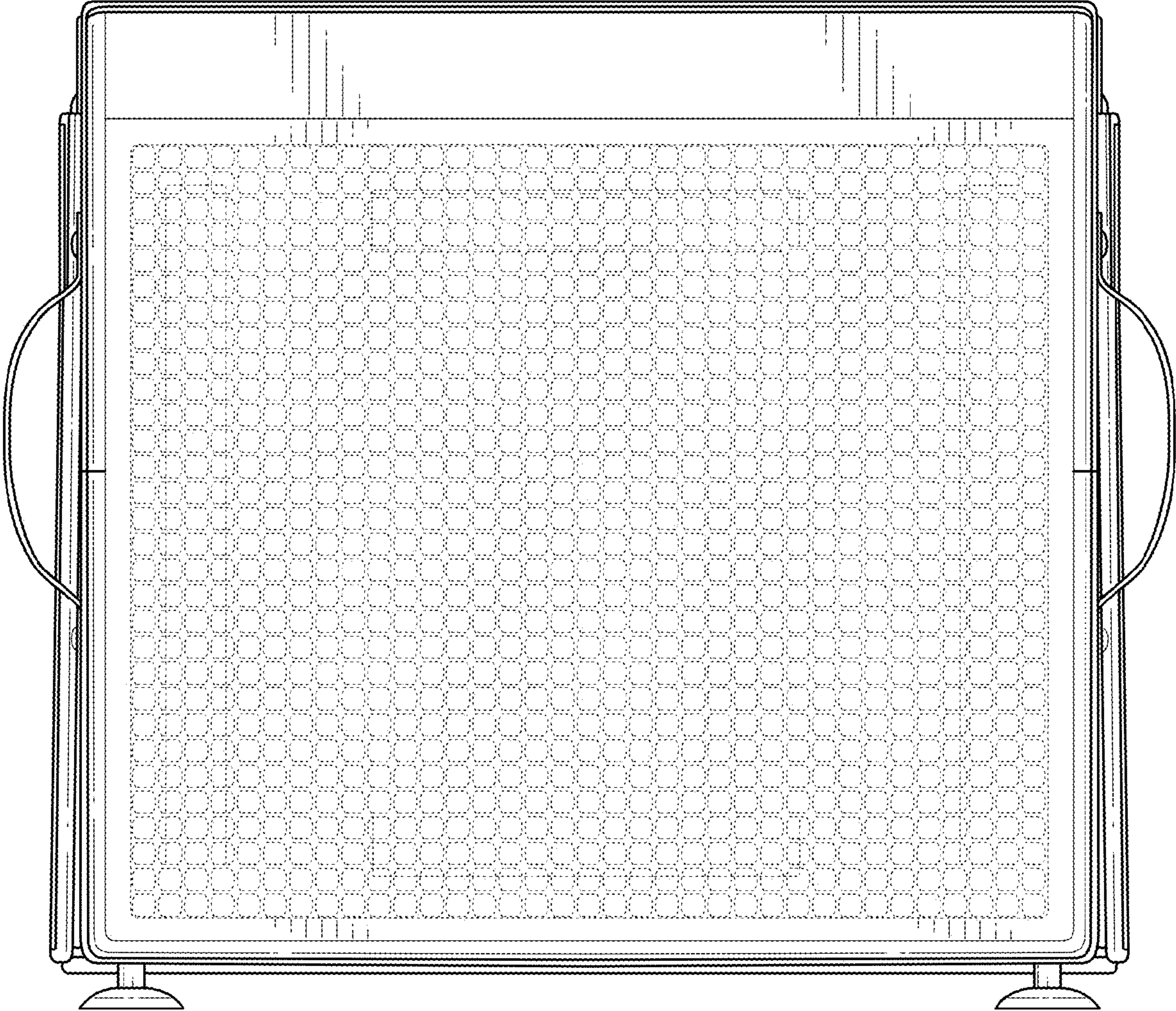


FIG. 8

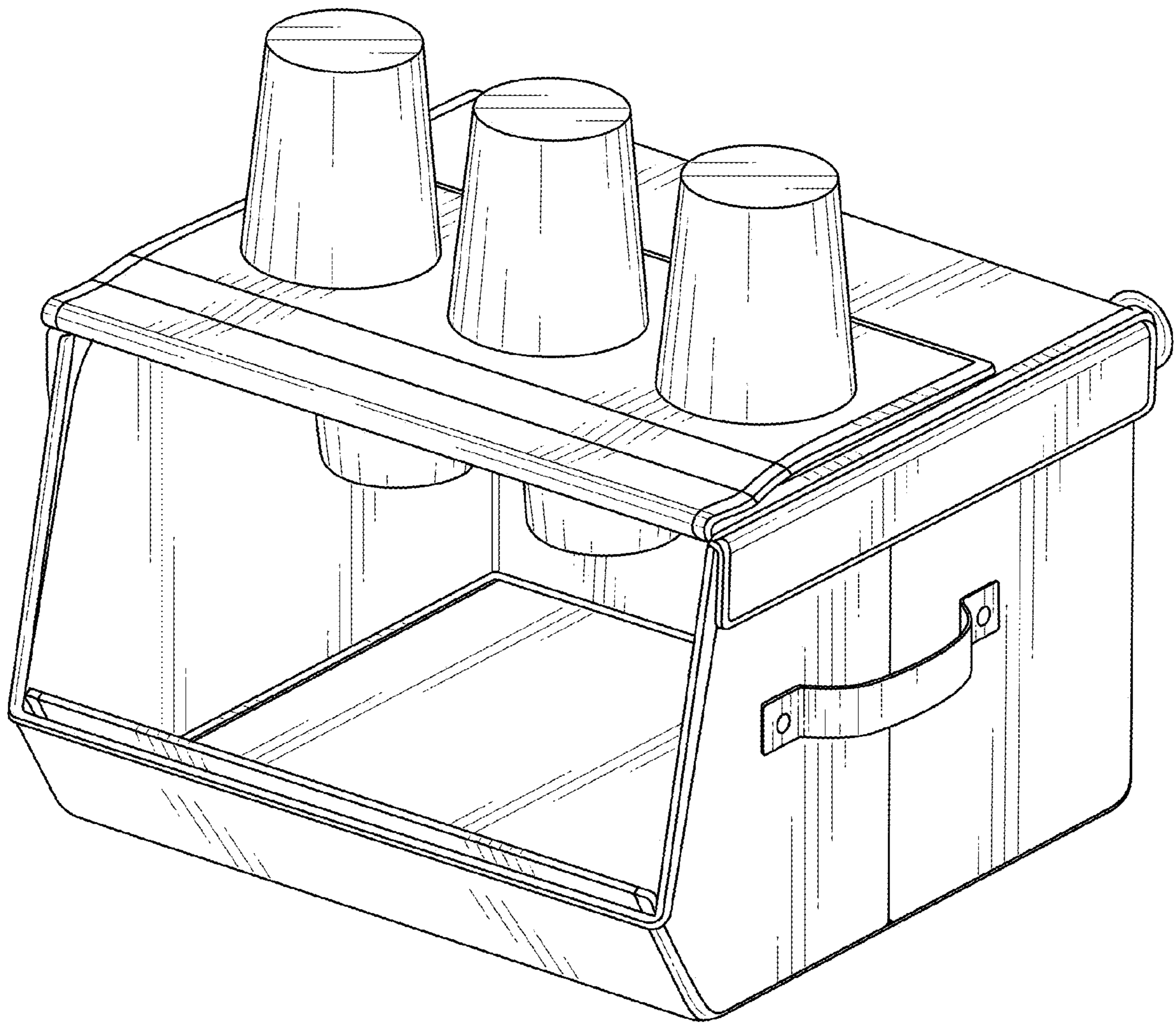


FIG. 9

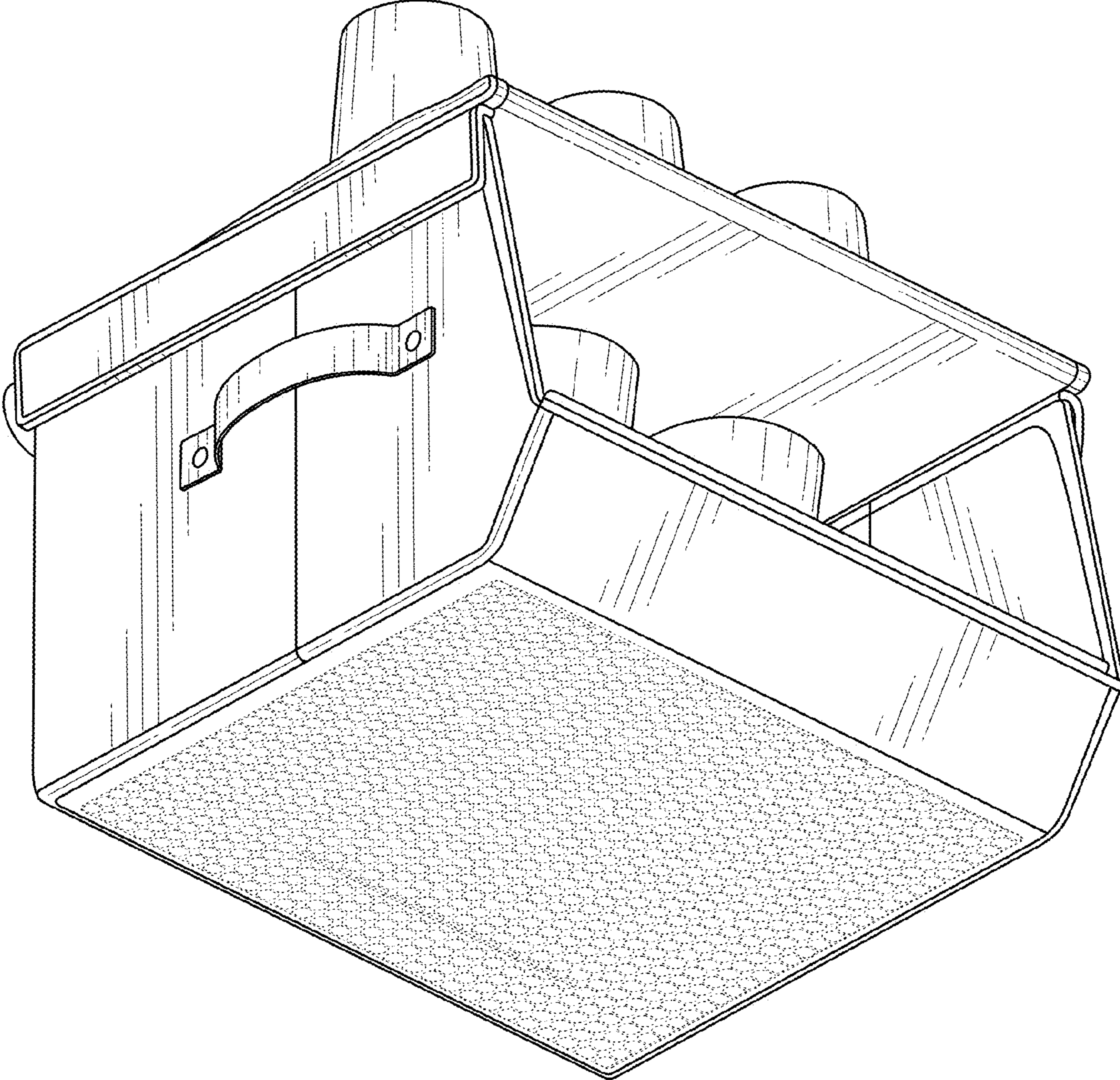


FIG. 10

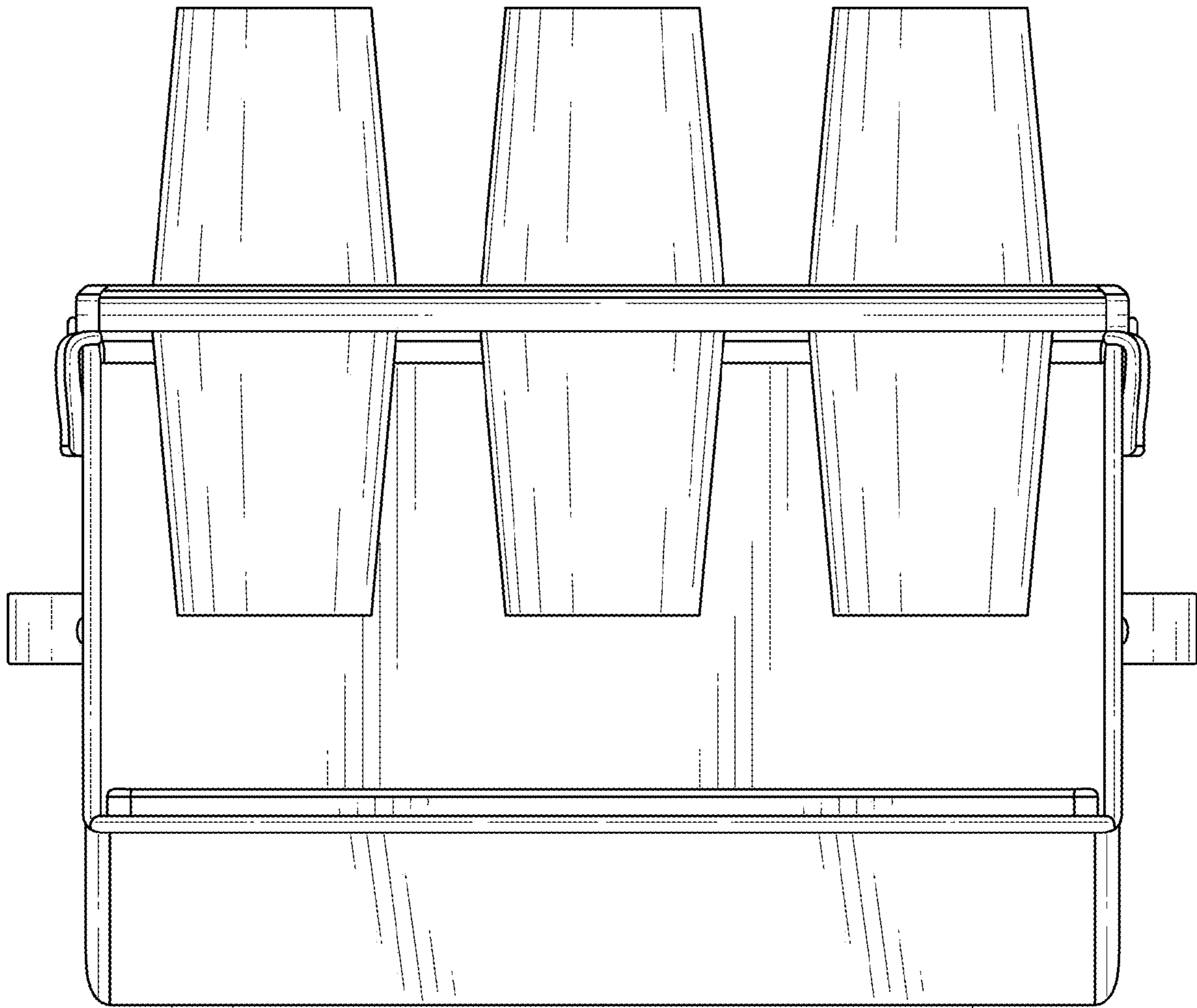


FIG. 11

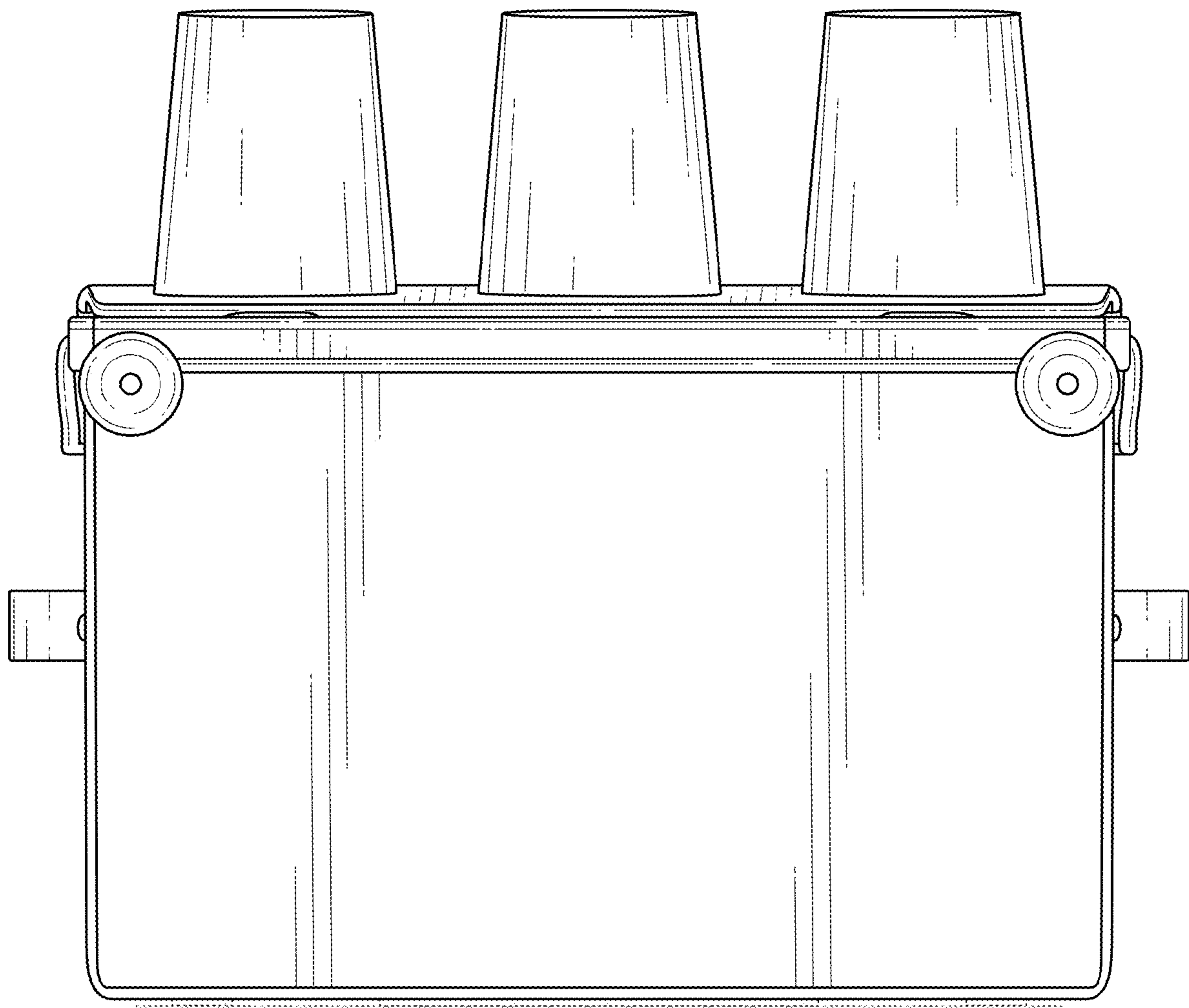


FIG. 12

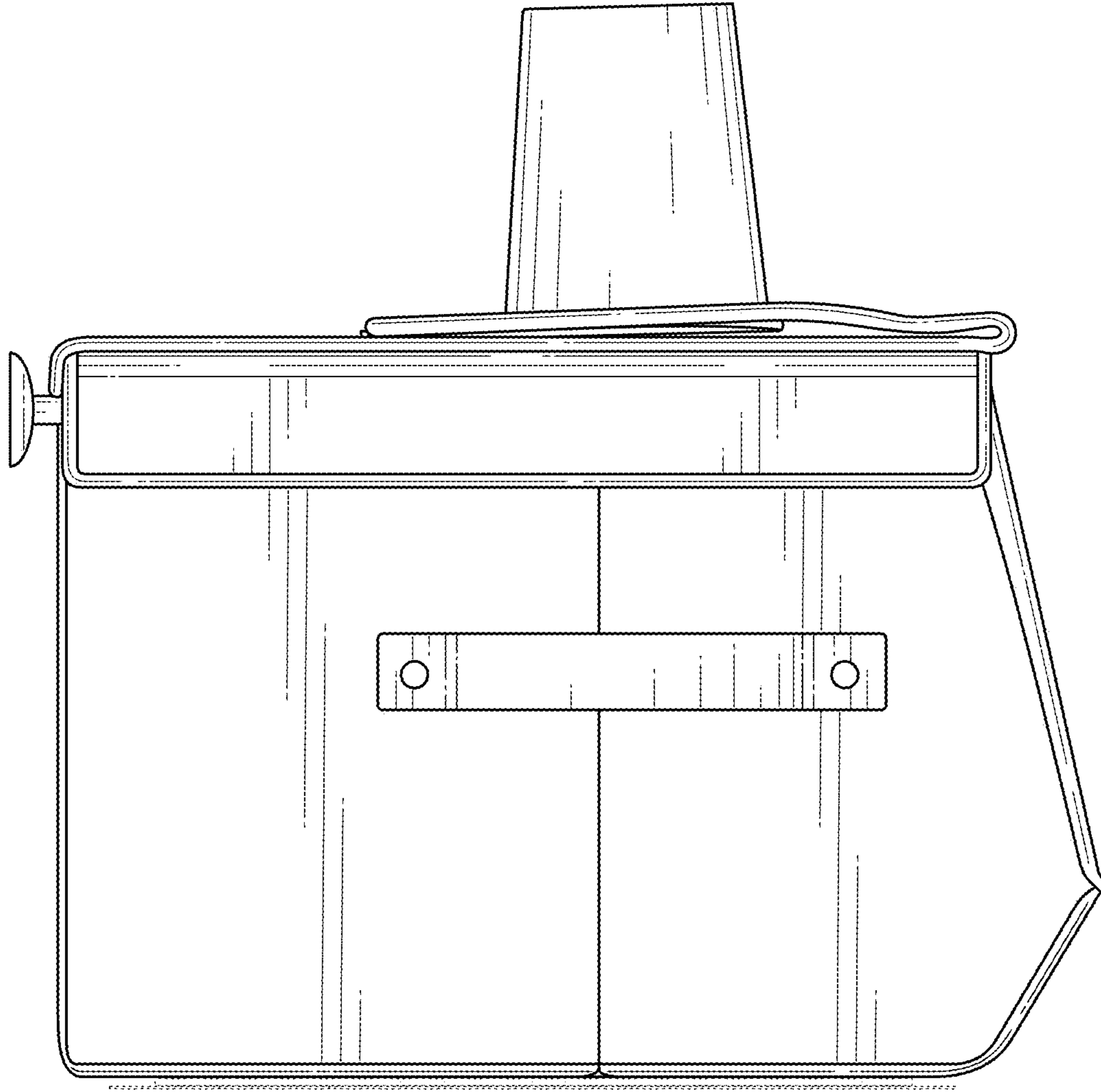


FIG. 13

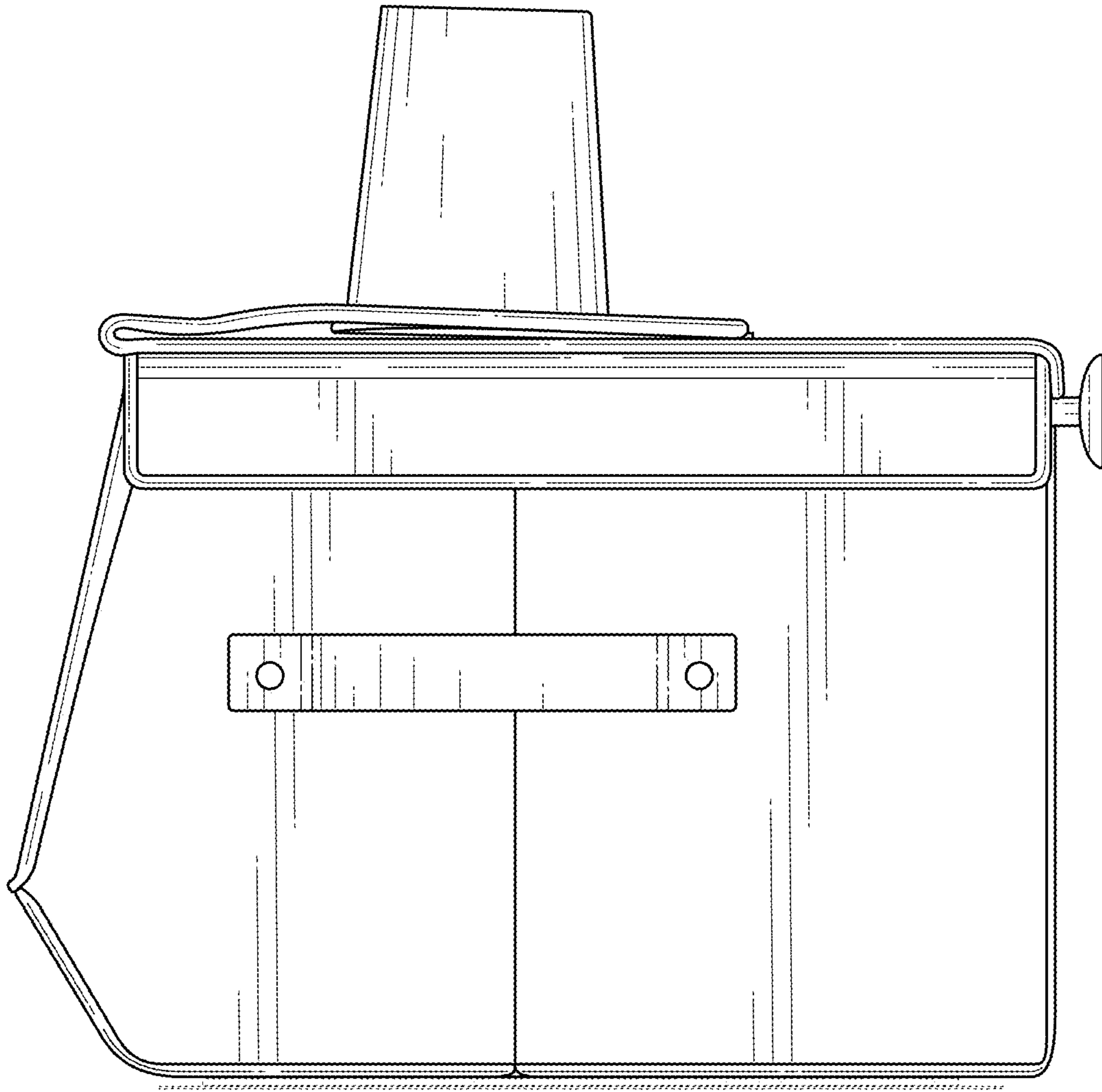


FIG. 14

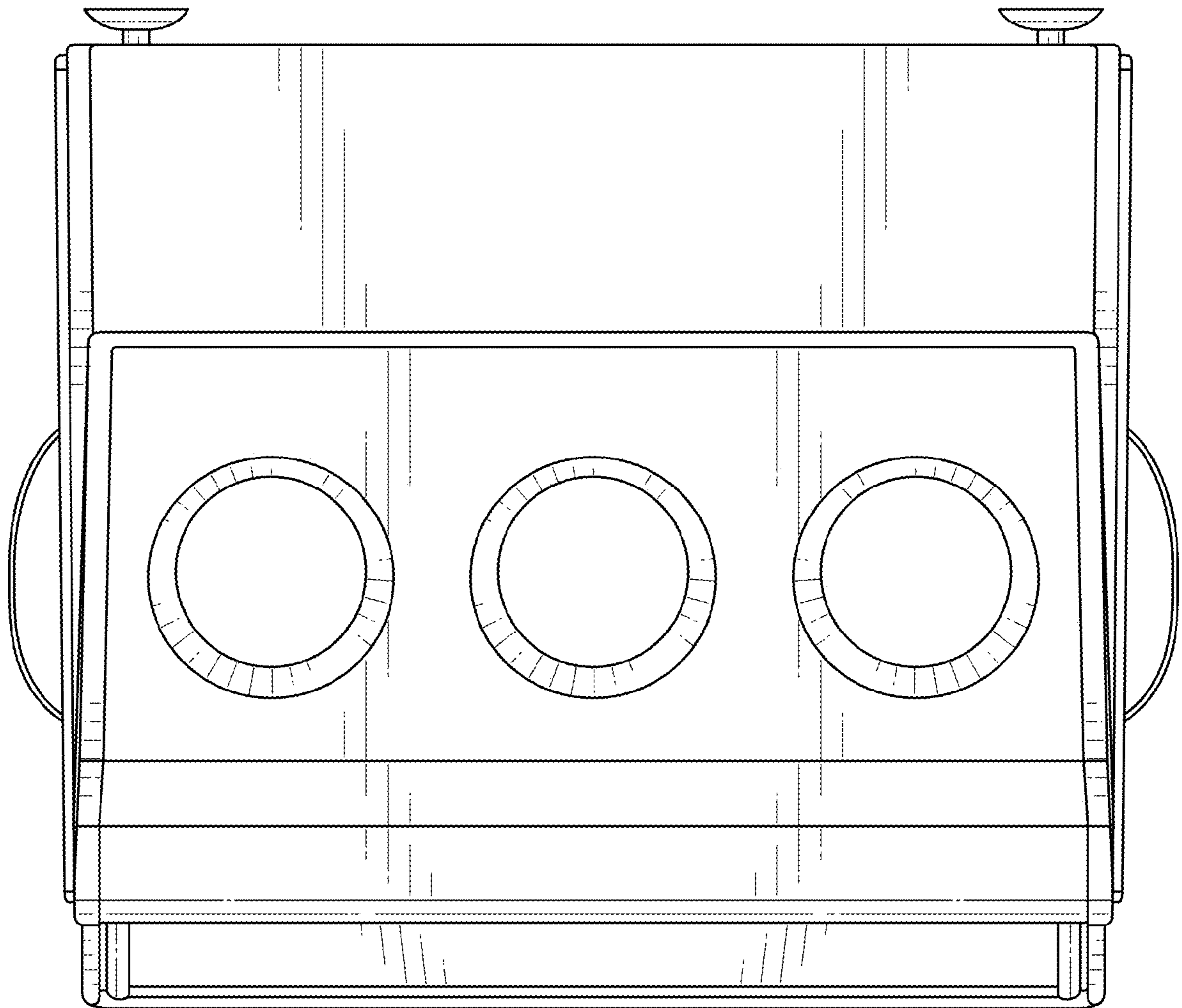


FIG. 15

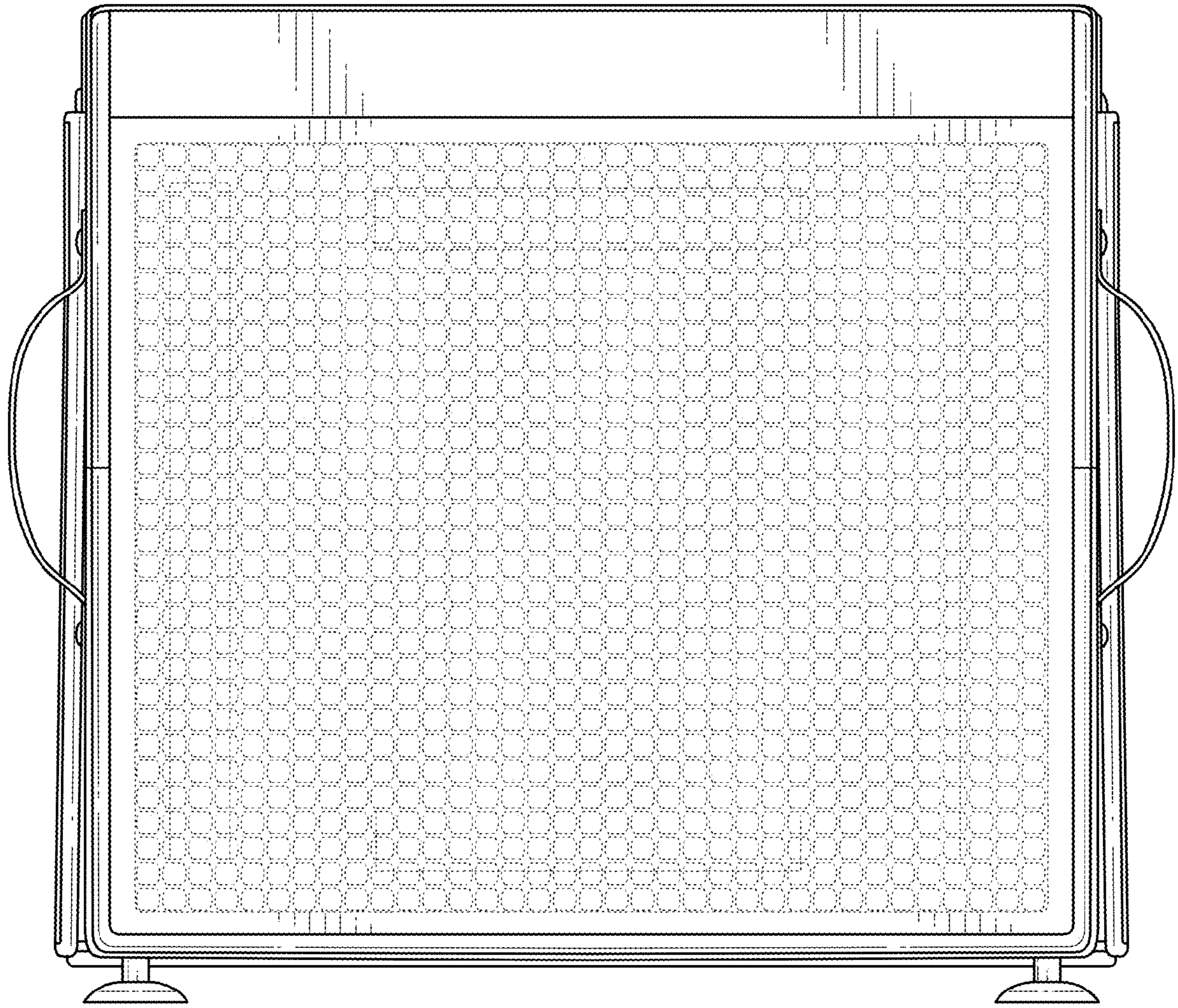


FIG. 16

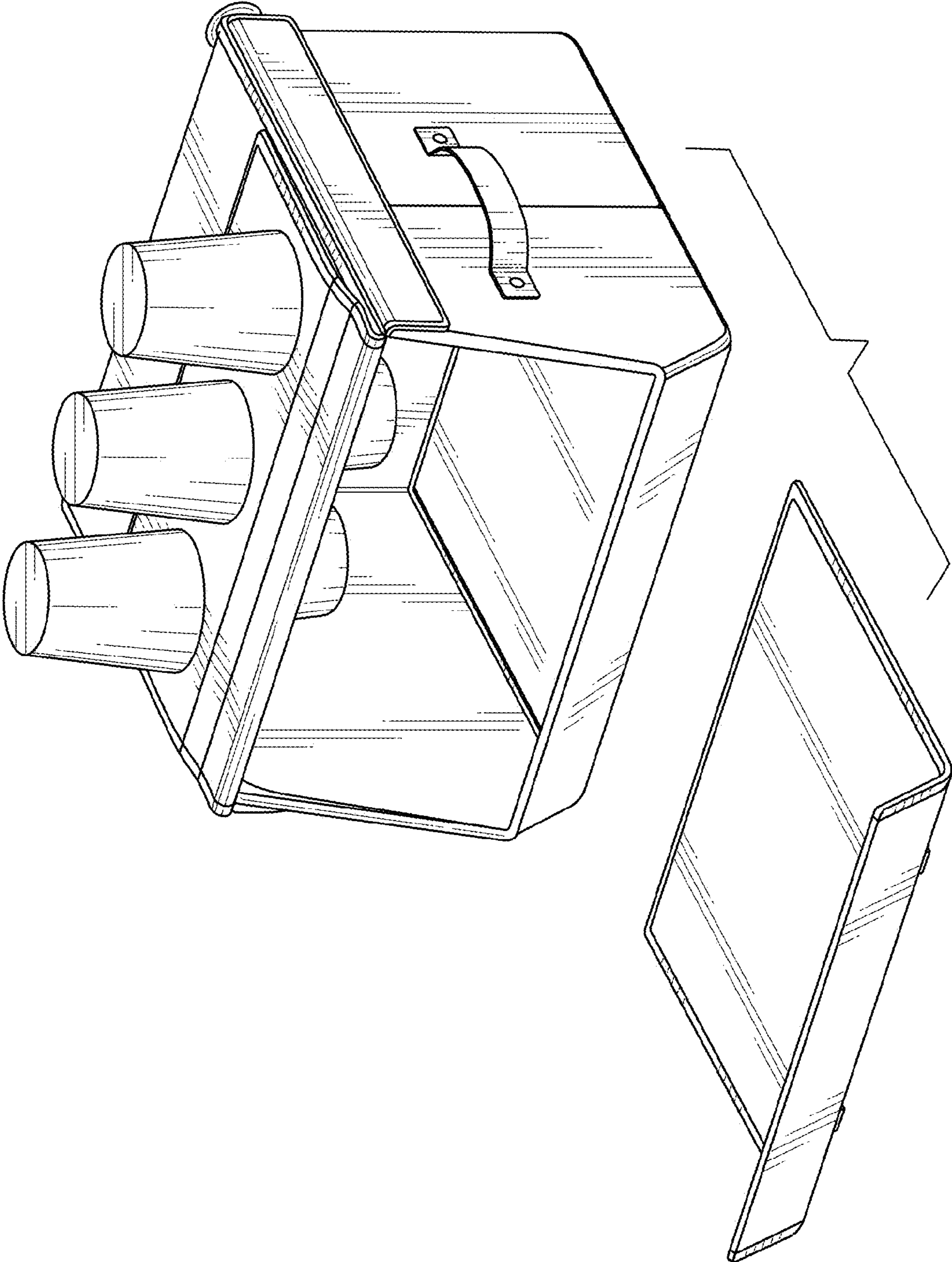


FIG. 17

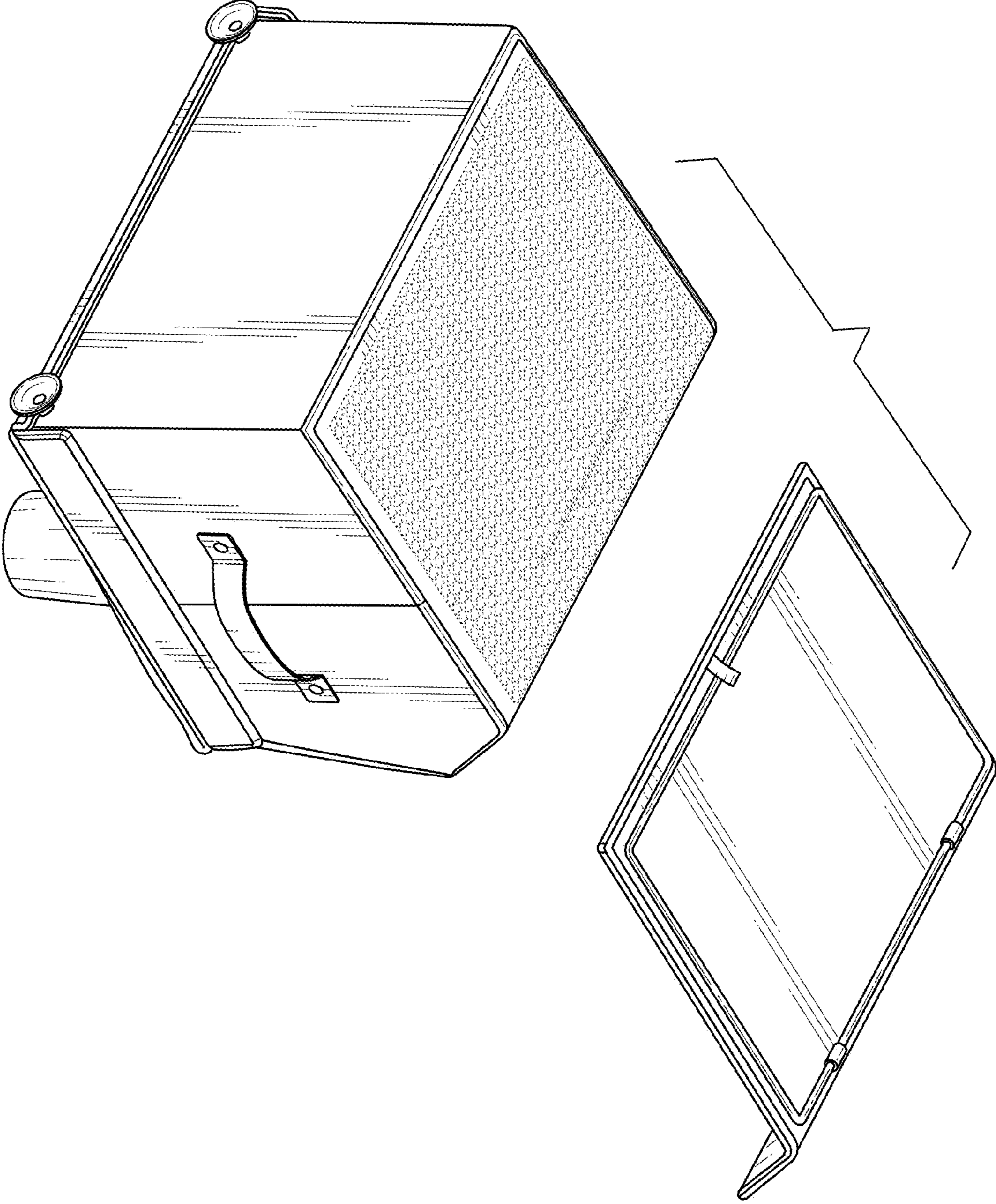


FIG. 18

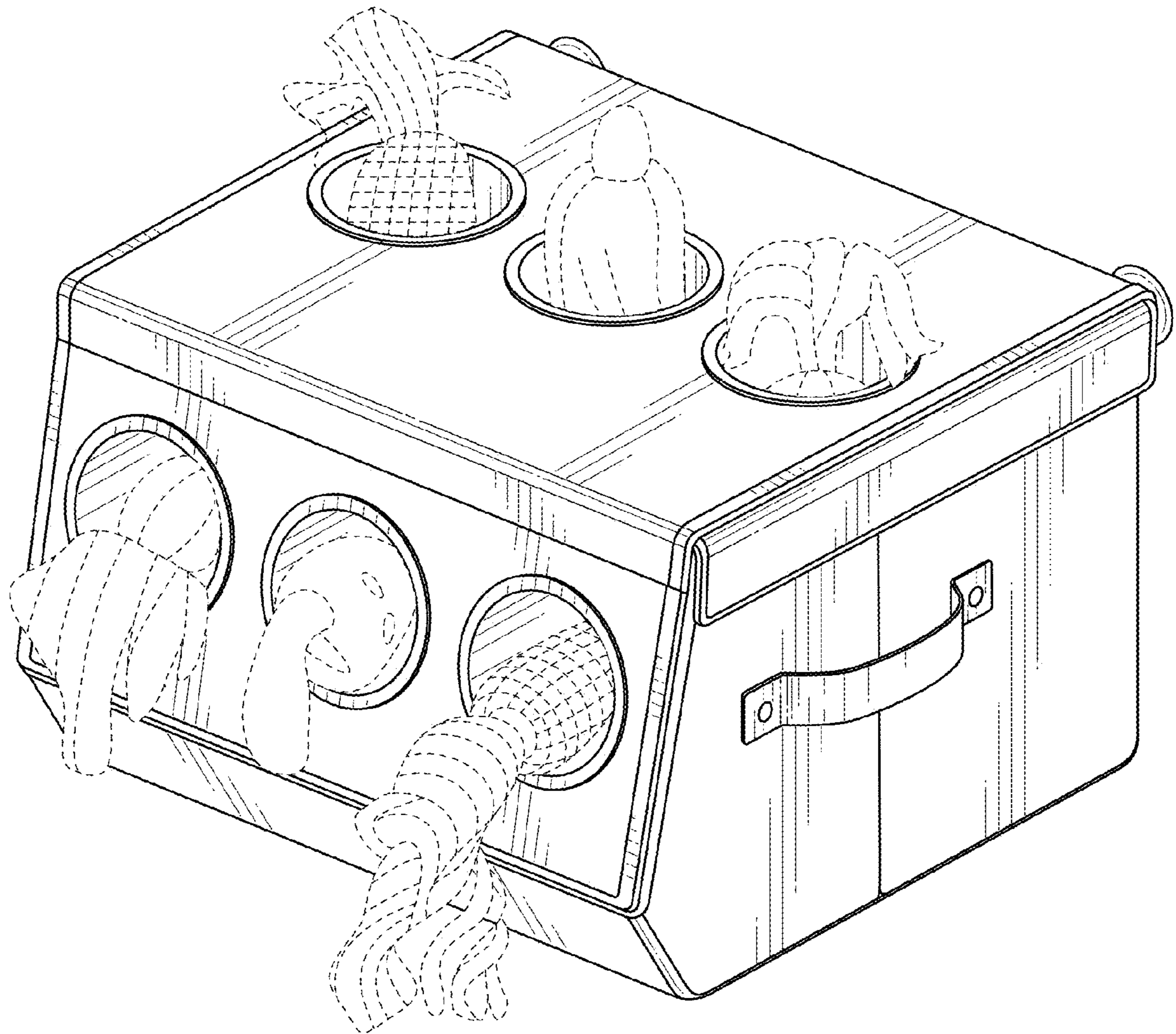


FIG. 19

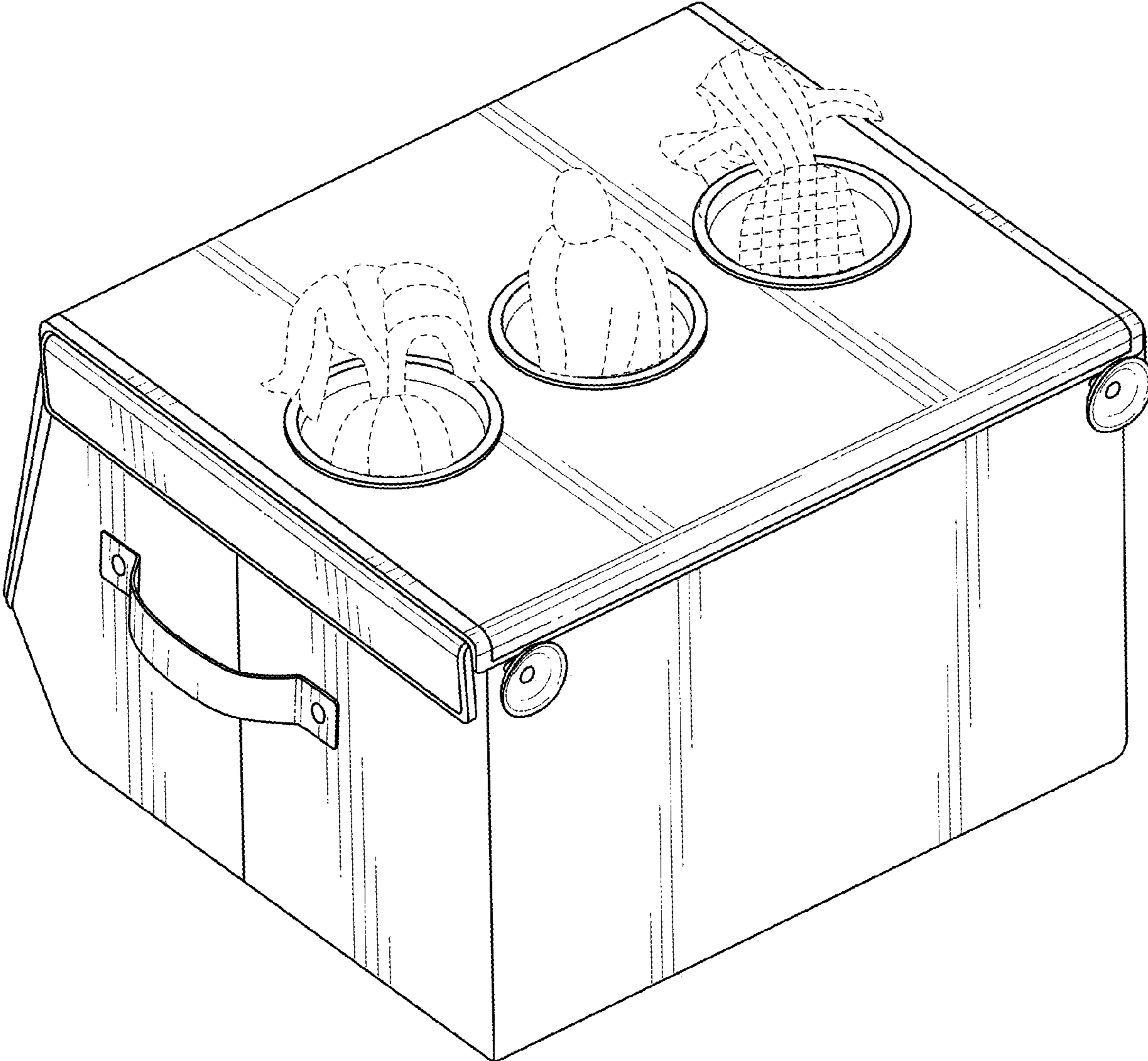


FIG. 20