



US0D1031169S

(12) **United States Design Patent** (10) **Patent No.:** **US D1,031,169 S**
Lewis (45) **Date of Patent:** **** *Jun. 11, 2024**

(54) **COMBINED FLOSS PICK AND CONTAINER**

- (71) Applicant: **Lewie Inc.**, Dallas, TX (US)
- (72) Inventor: **Amanda J. Lewis**, Dallas, TX (US)
- (73) Assignee: **Lewie Inc.**, Dallas, TX (US)
- (*) Notice: This patent is subject to a terminal disclaimer.
- (**) Term: **15 Years**
- (21) Appl. No.: **29/888,821**
- (22) Filed: **Apr. 5, 2023**

Related U.S. Application Data

- (63) Continuation of application No. 29/783,688, filed on May 14, 2021, now Pat. No. Des. 987,902.
- (51) **LOC (14) Cl.** **28-03**
- (52) **U.S. Cl.**
USPC **D28/66**
- (58) **Field of Classification Search**
USPC D24/133, 152, 176, 231; D28/7, 9, 65, D28/66, 68, 99
CPC A61C 3/00; A61C 15/00; A61C 15/04; A61C 15/041; A61C 15/043; A61C 15/046; A61C 15/048
See application file for complete search history.

(56) **References Cited**

U.S. PATENT DOCUMENTS

D484,643 S	*	12/2003	Nanda	D28/68
D671,268 S	*	11/2012	Nanda	D28/68
D671,685 S	*	11/2012	Bow	D28/66
D725,311 S	*	3/2015	Turco	D28/66
D760,958 S	*	7/2016	Xu	D28/66
D838,911 S	*	1/2019	Wong	D28/68
D853,650 S	*	7/2019	Schiffer	A45D 40/24 D28/68

(Continued)

OTHER PUBLICATIONS

Lewie Floss Coin, posted Oct. 13, 2021 [online], [retrieved Jul. 18, 2023]. Retrieved from internet, <https://www.amazon.com/dp/B09JDWL4SS/> (Year: 2021).*

Primary Examiner — Alison M Ofstun

Assistant Examiner — Evin F Ershock

(74) *Attorney, Agent, or Firm* — Thompson Coburn LLP

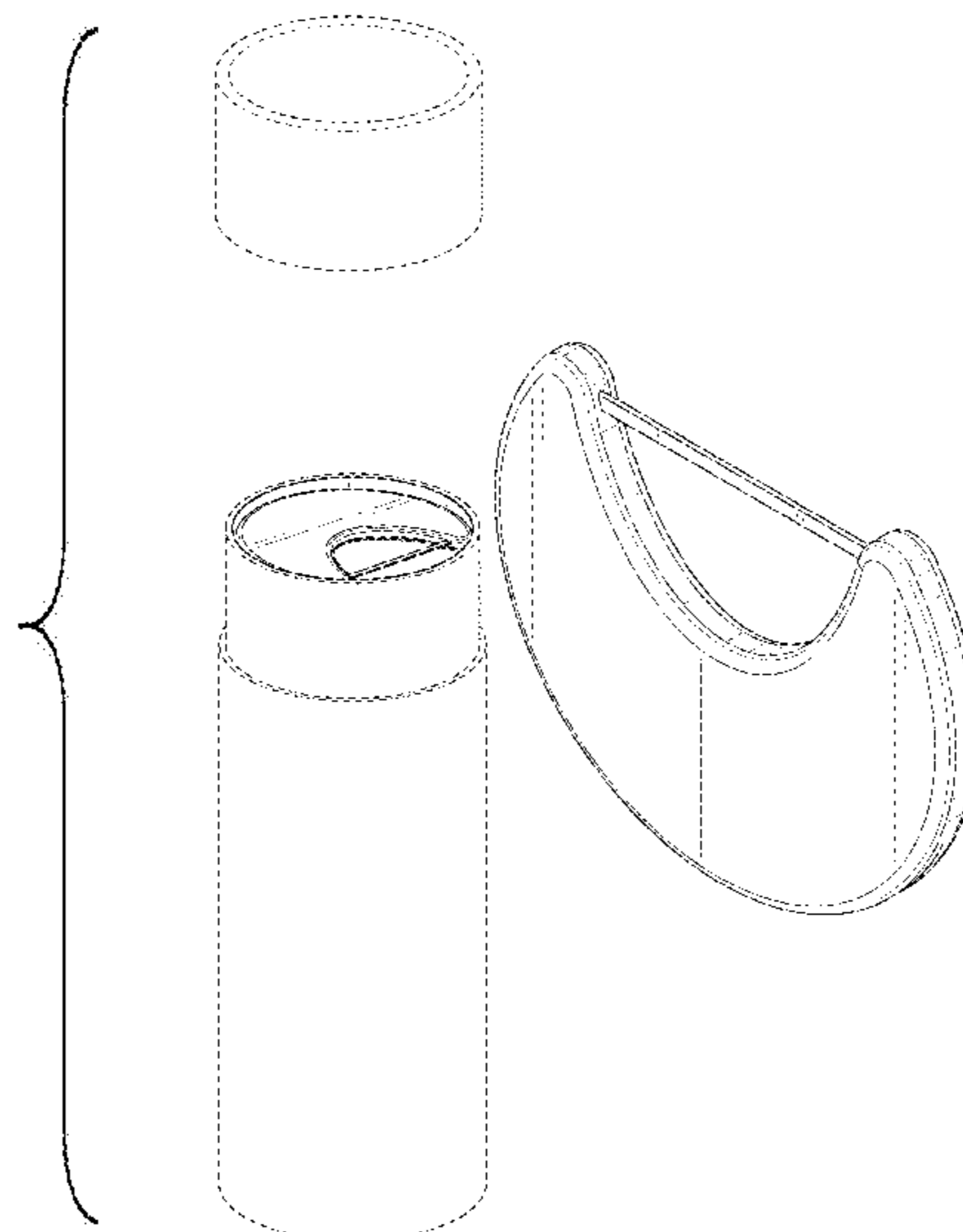
(57) **CLAIM**

The ornamental design for a combined floss pick and container, as shown and described.

DESCRIPTION

FIG. 1 is an exploded perspective view of a combined floss pick and container, showing my new design;
 FIG. 2 is a top-view thereof, shown with the cap removed;
 FIG. 3 is a front-view thereof, shown with the cap removed, the left-side, right-side, and rear views being identical thereto;
 FIG. 4 is a bottom view thereof;
 FIG. 5 is a front-view of the cap portion, shown separately to show portions of the design not clearly visible when combined, the left-side, right-side and rear views being identical thereto;
 FIG. 6 is a top-view thereof;
 FIG. 7 is a bottom-view thereof;
 FIG. 8 is a perspective view of the floss pick, shown separately to show portions of the design not clearly visible when combined;
 FIG. 9 is a front-view thereof, the rear-view being identical thereto;
 FIG. 10 is a left-side view thereof, the right-side view being identical thereto;
 FIG. 11 is a top-view thereof; and,
 FIG. 12 is a bottom-view thereof.
 The broken lines depict portions of the article, and form no part of the claimed design.

1 Claim, 10 Drawing Sheets



(56)

References Cited

U.S. PATENT DOCUMENTS

D901,777 S *	11/2020	Gentile	D28/66
D910,924 S *	2/2021	Syed	D28/68
D943,212 S *	2/2022	Chodorow	D28/66
D987,902 S *	5/2023	Lewis	D28/66
D992,822 S *	7/2023	Coxe	D28/68
2018/0084891 A1 *	3/2018	Lewis	A45D 40/24

* cited by examiner

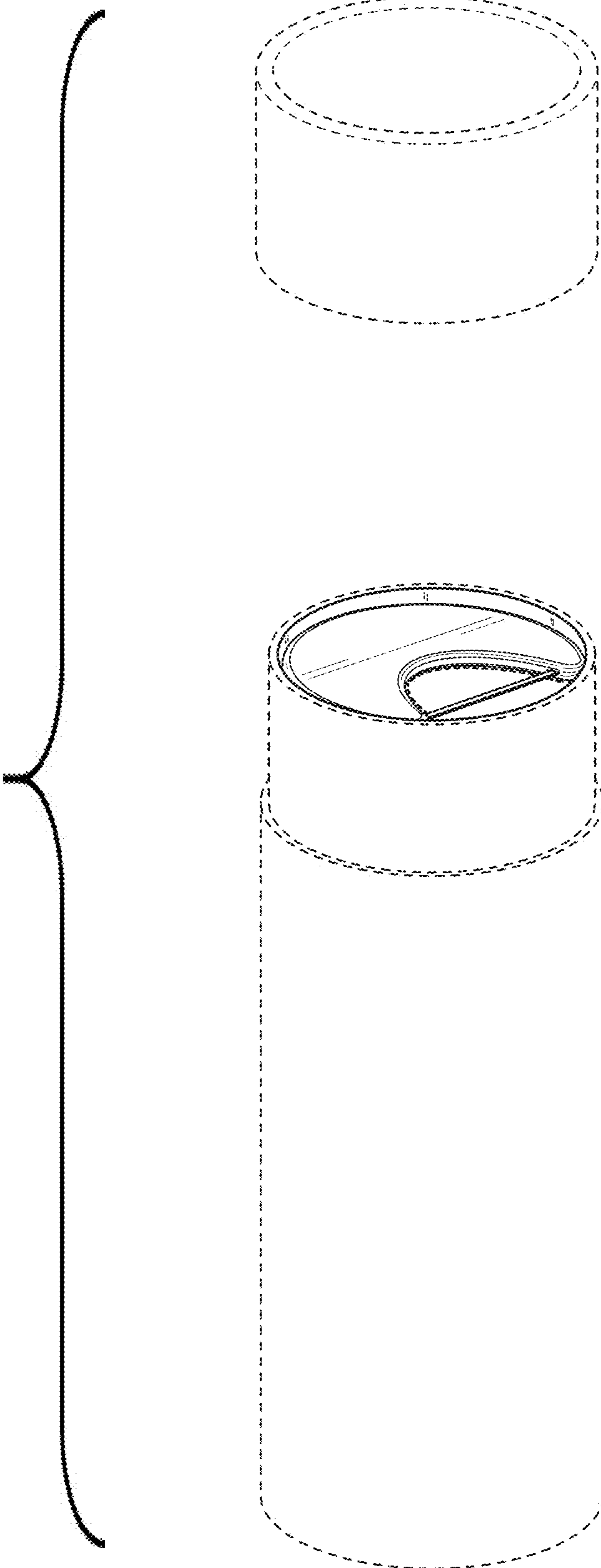


FIG. 1

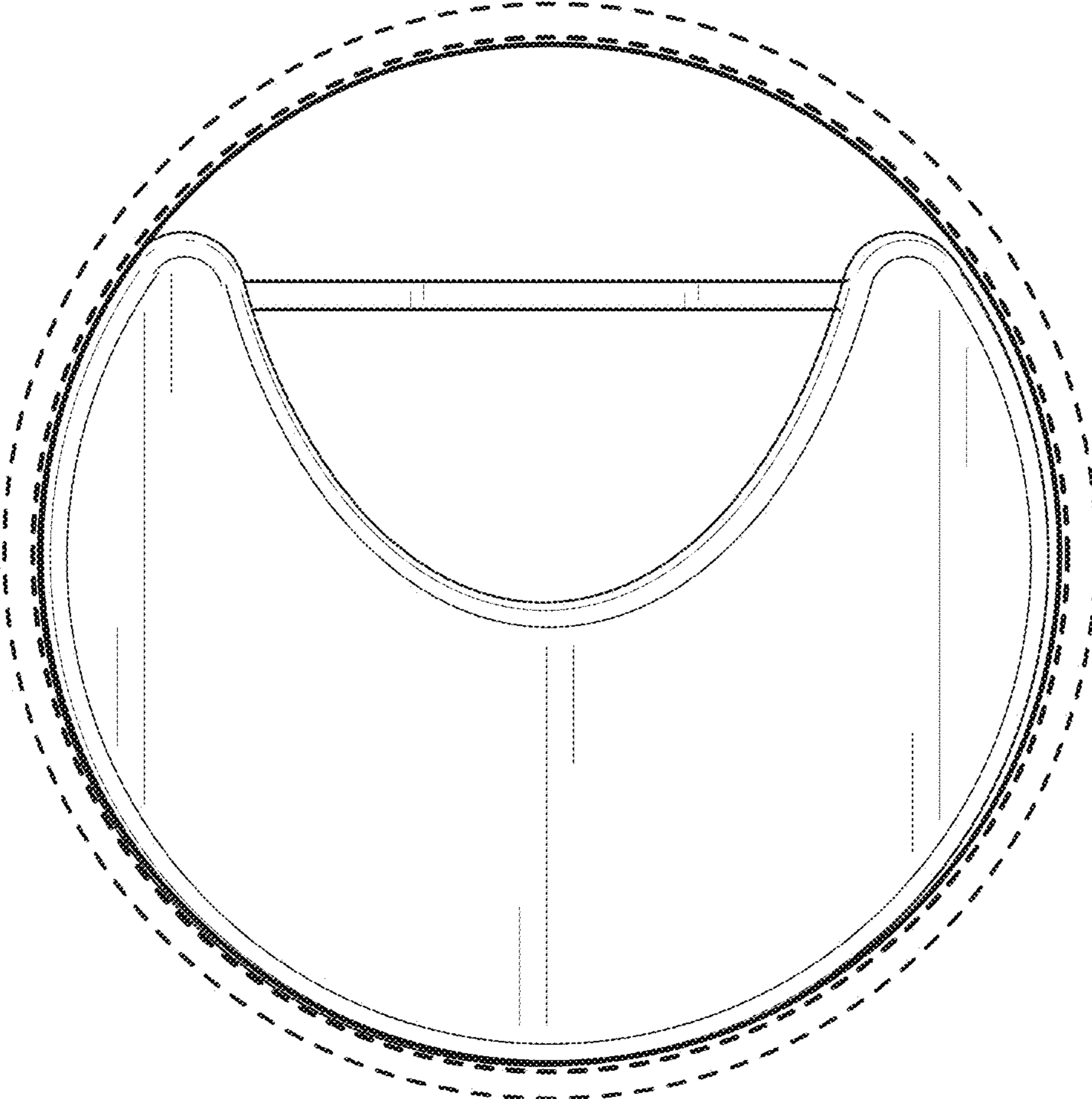


FIG. 2

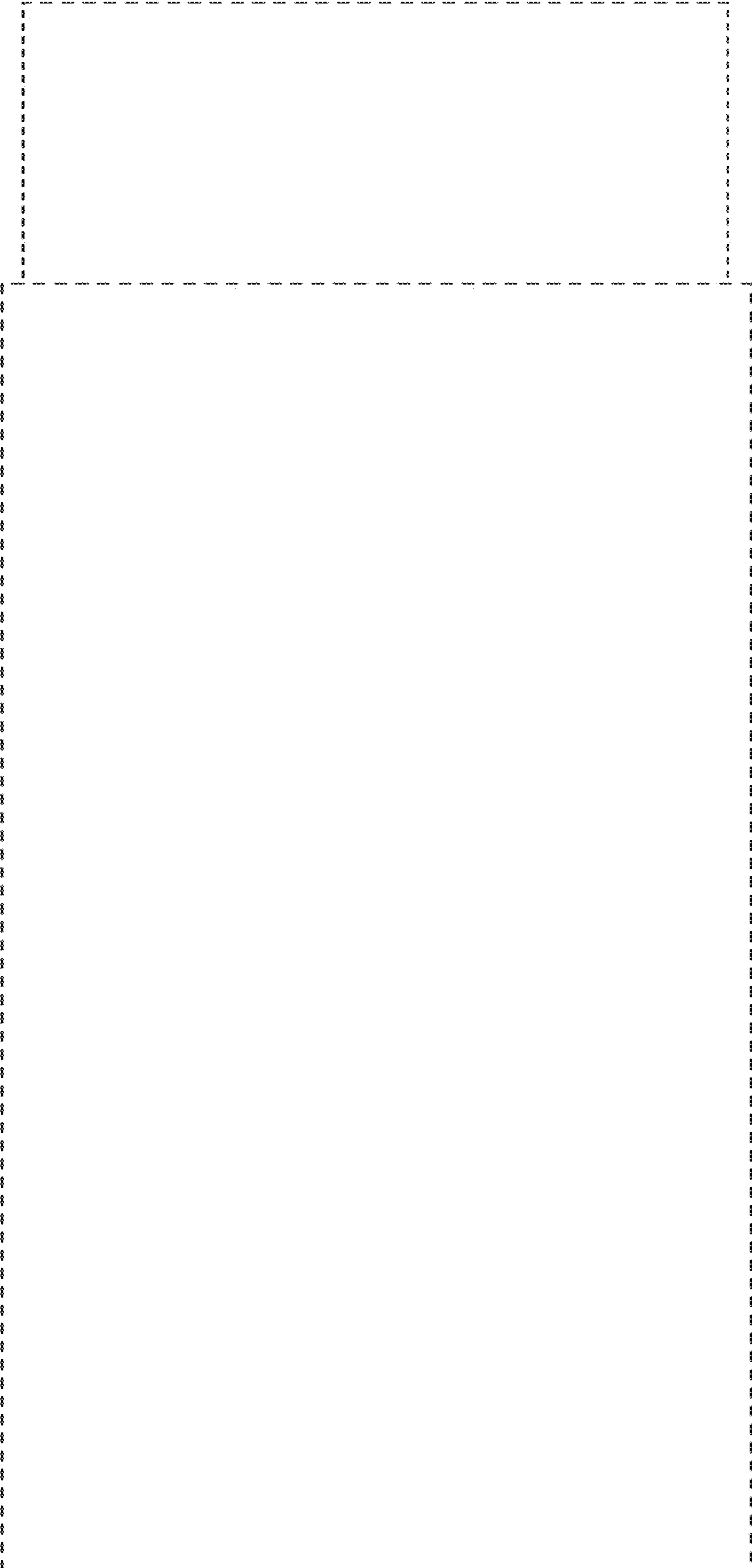


FIG. 3

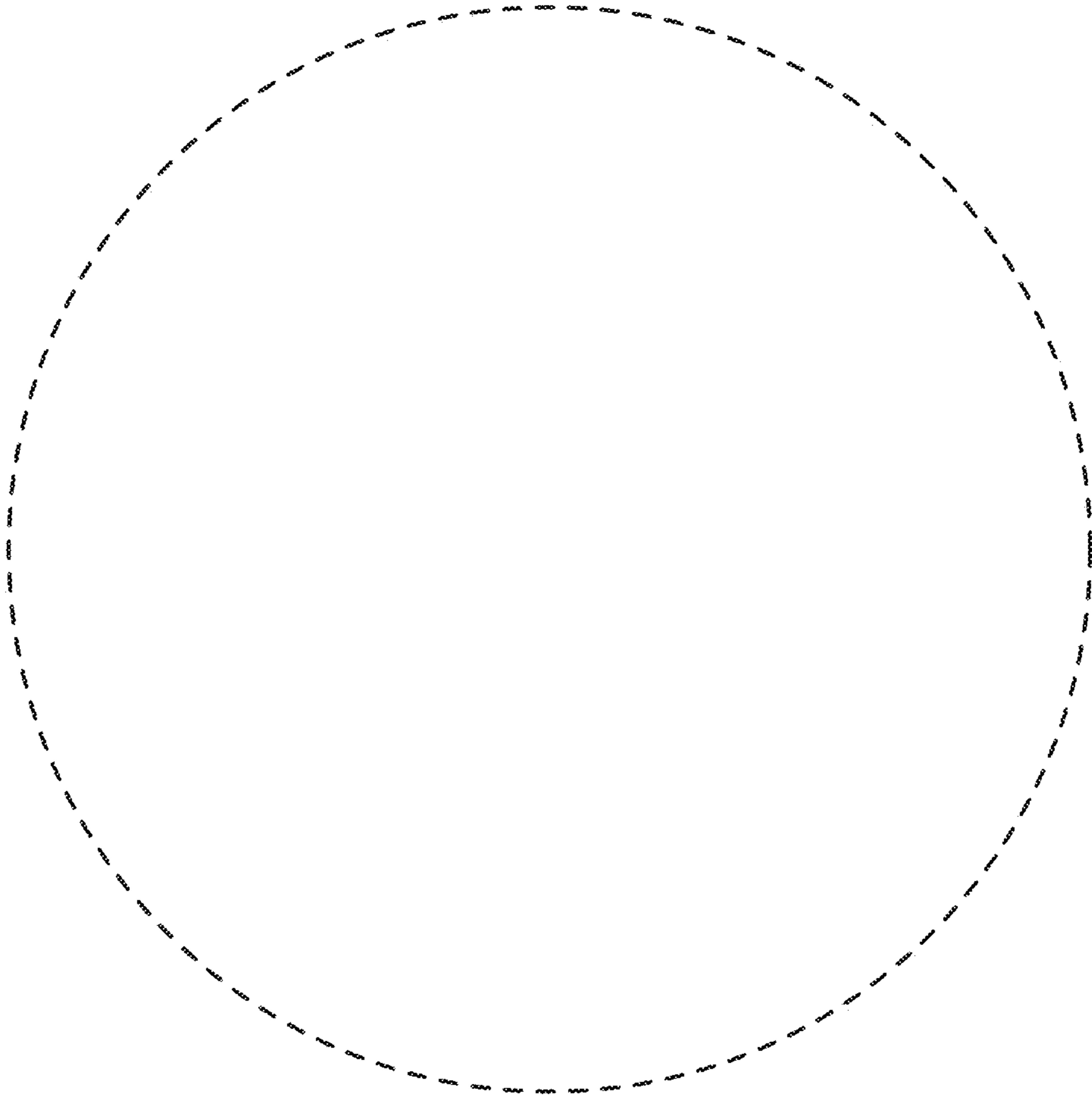


FIG. 4



FIG. 5

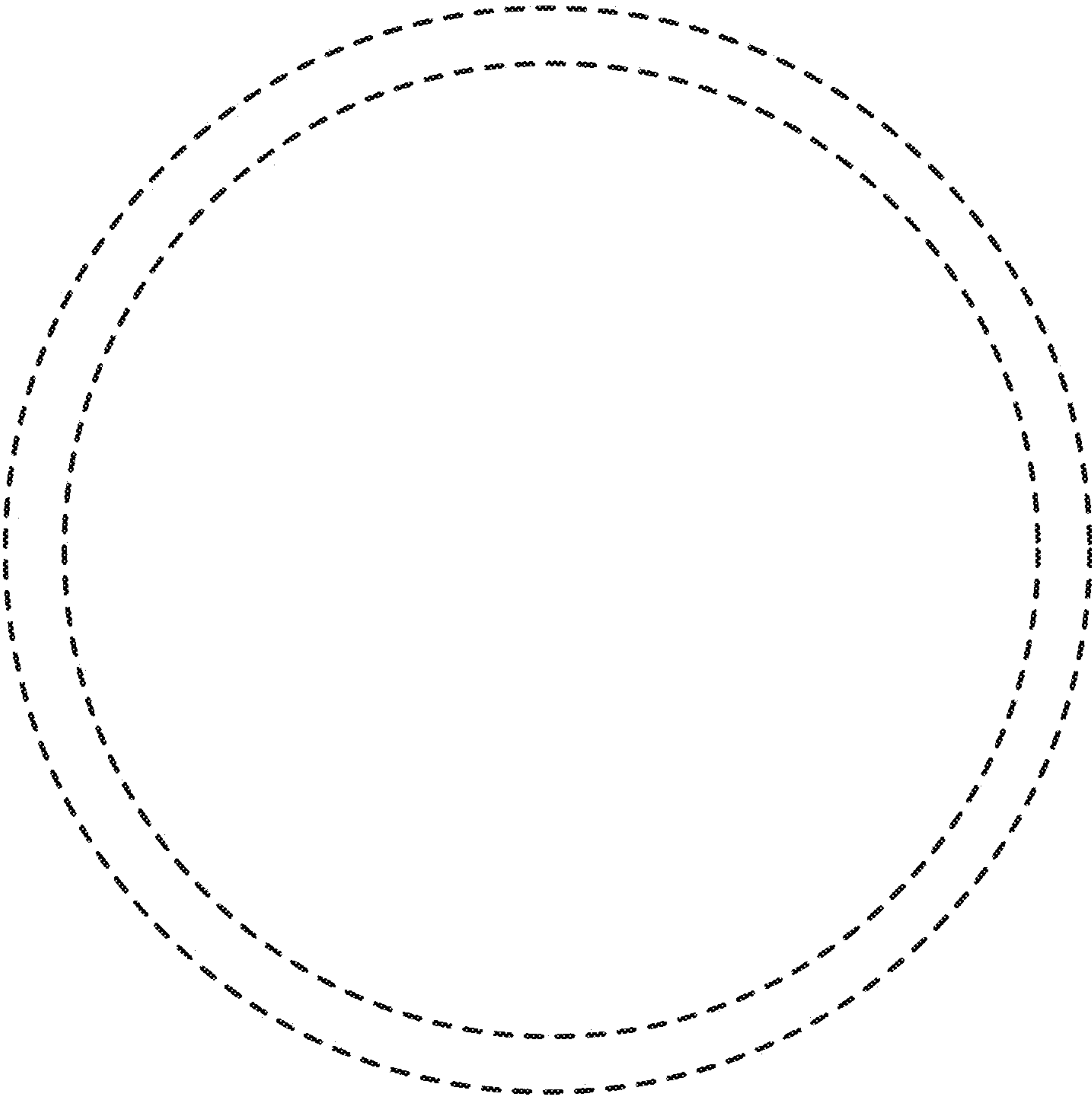


FIG. 6

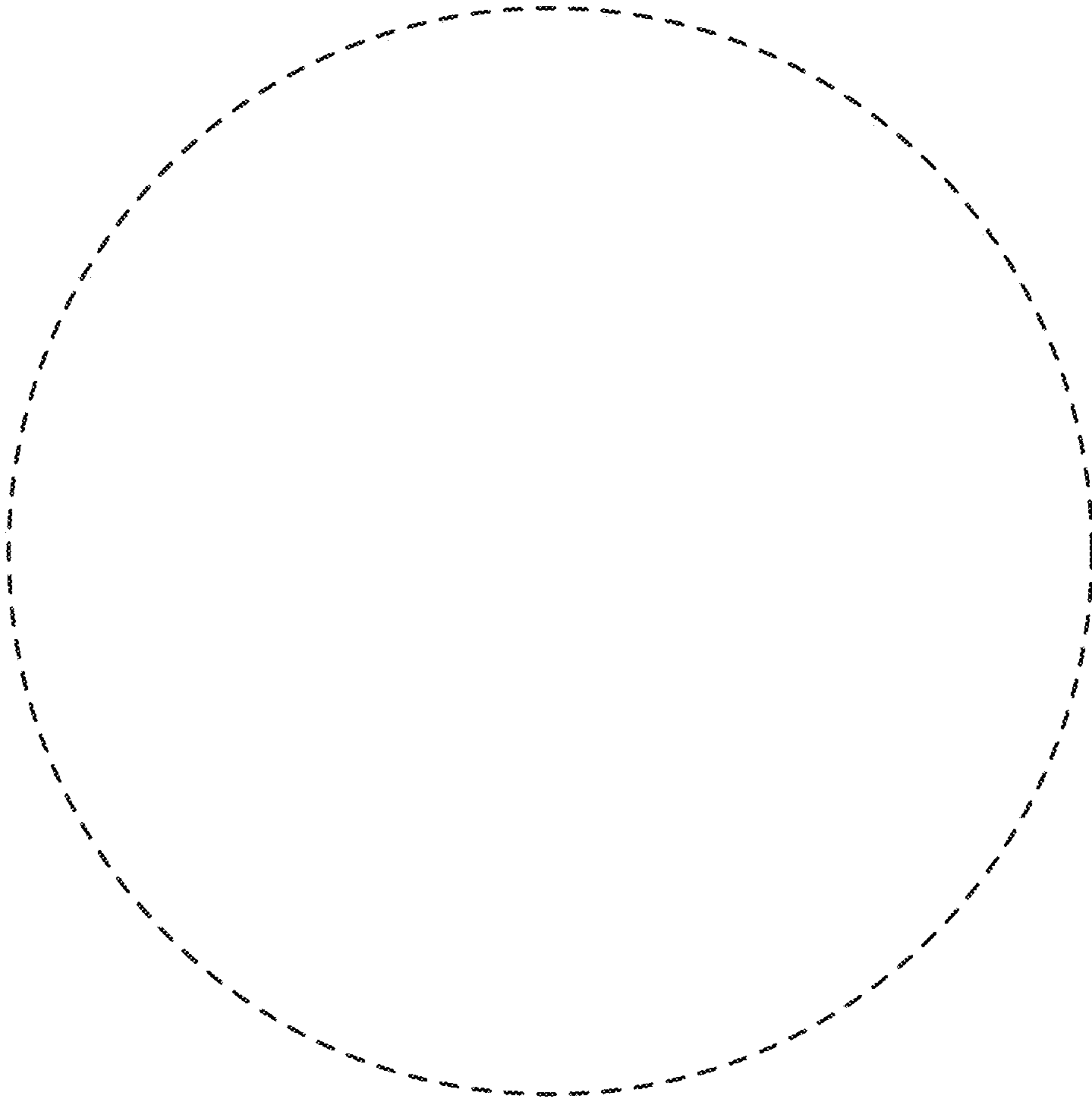


FIG. 7

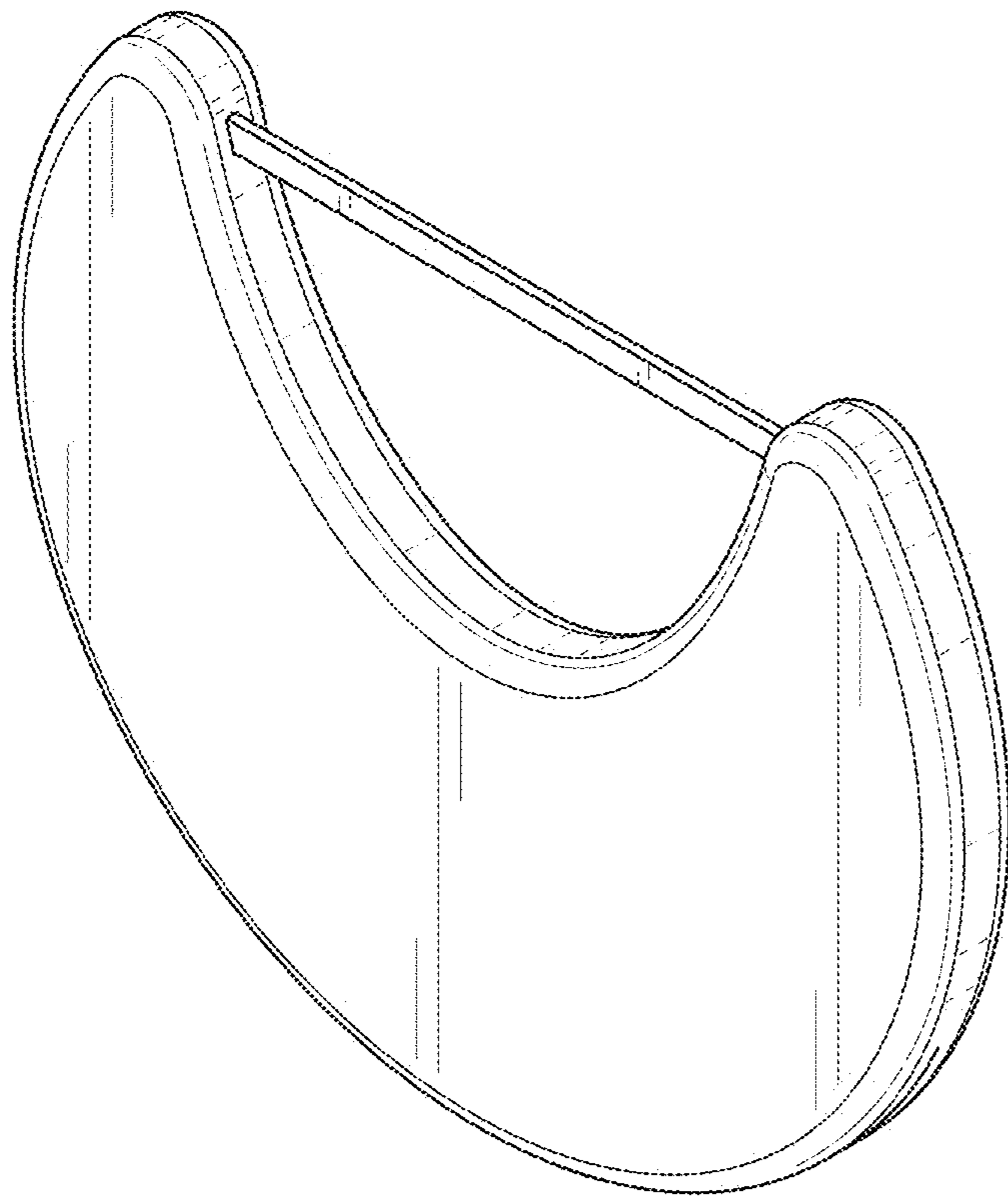


FIG. 8

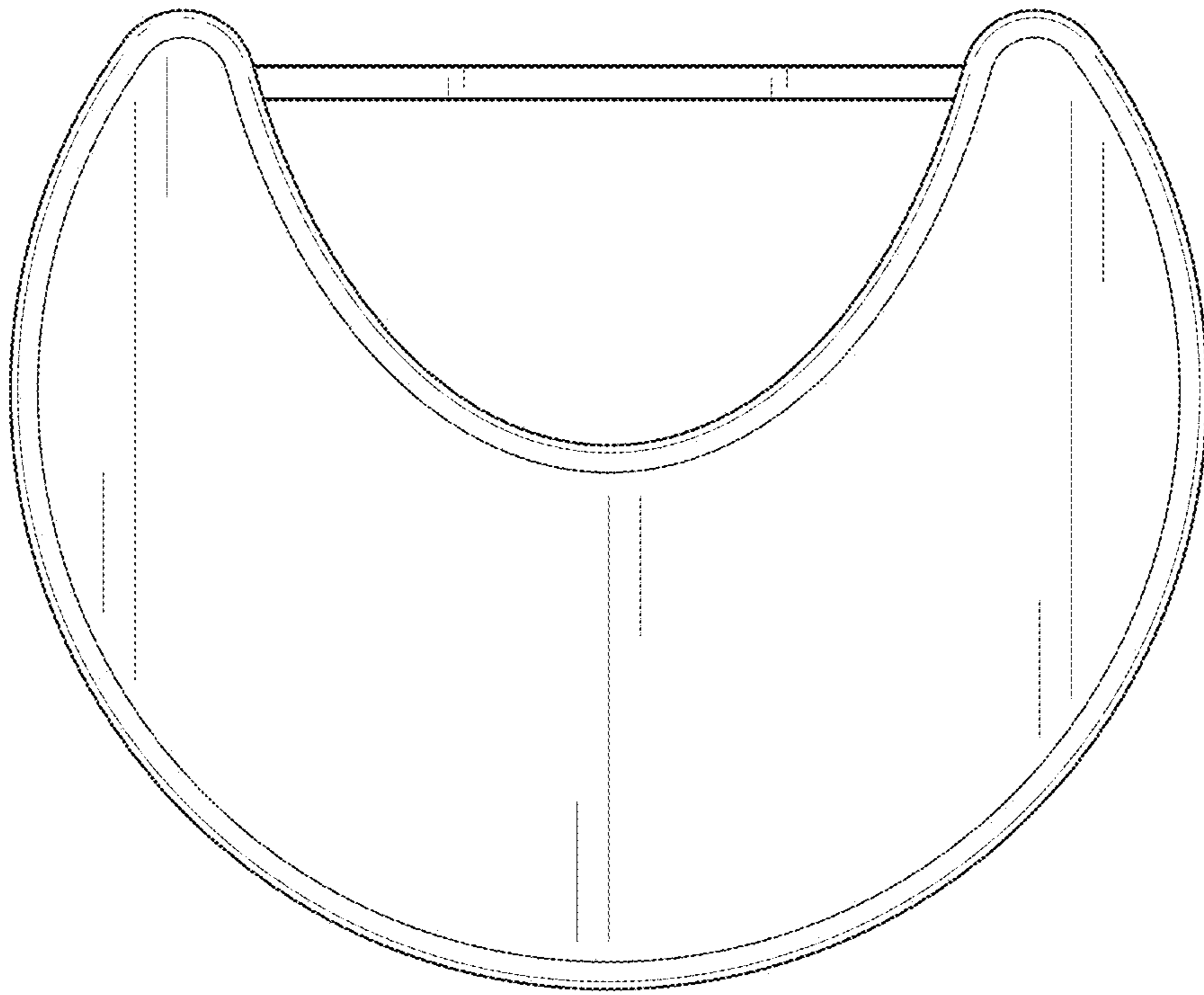


FIG. 9

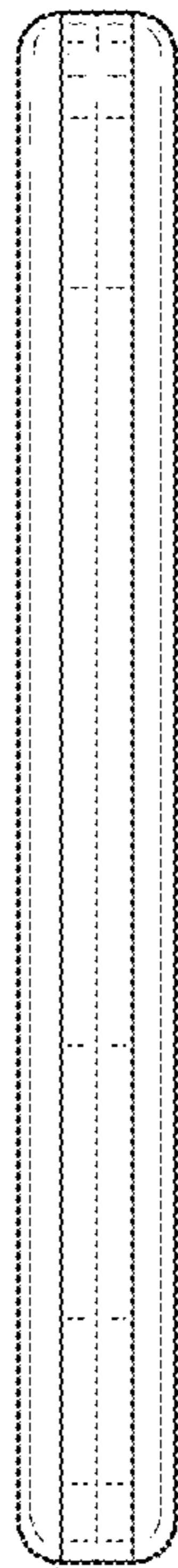


FIG. 10

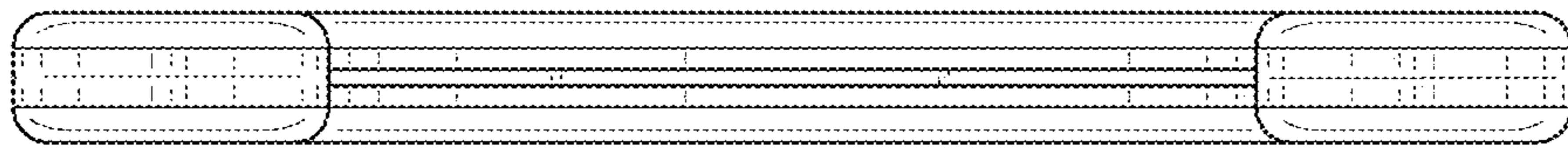


FIG. 11

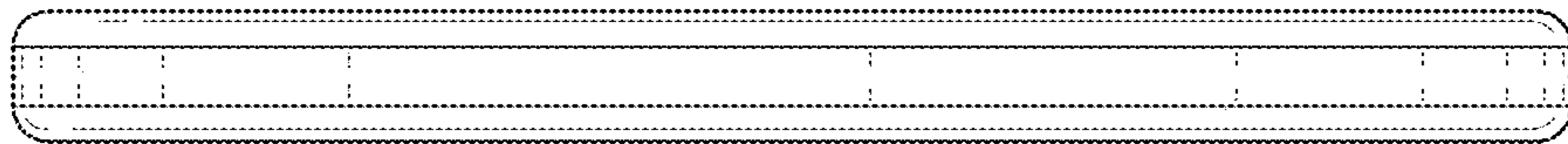


FIG. 12