



US0D1030971S

(12) **United States Design Patent**
Cai

(10) **Patent No.: US D1,030,971 S**

(45) **Date of Patent: ** Jun. 11, 2024**

(54) **WATERFALL FAUCET**

(71) Applicant: **Xianben Cai**, Zunyi (CN)

(72) Inventor: **Xianben Cai**, Zunyi (CN)

(**) Term: **15 Years**

(21) Appl. No.: **29/895,854**

(22) Filed: **Jun. 27, 2023**

(51) **LOC (14) Cl.** **23-01**

(52) **U.S. Cl.**
USPC **D23/238**

(58) **Field of Classification Search**
USPC D23/238, 249–250, 252; D8/307–308
CPC . E03C 1/02; E03C 1/04; E03C 1/0404; E03C
1/0412; F16K 31/60; F16K 31/607; F16K
31/602; F16K 31/605; Y10T 137/9464
See application file for complete search history.

(56) **References Cited**

U.S. PATENT DOCUMENTS

D946,120 S * 3/2022 Zhang D23/238
D980,952 S * 3/2023 Chen D23/238

FOREIGN PATENT DOCUMENTS

DE 102011014726 A1 * 9/2012 E03C 1/0404

OTHER PUBLICATIONS

Single handle waterfall faucet solid brass creative hollow design faucet. https://sweethome247.com/products/single-handle-waterfall-faucet-solid-brass-creative-hollow-design-faucet?gad_source=1&gclid=EAlalQobChMIvuu89MOPhQMVoOXjBx1adwCaEAQYDyABEgKqDfD_BwE (Year: 2022).*

* cited by examiner

Primary Examiner — Robert A Delehanty

(74) *Attorney, Agent, or Firm* — Jose Cherson Weissbrot

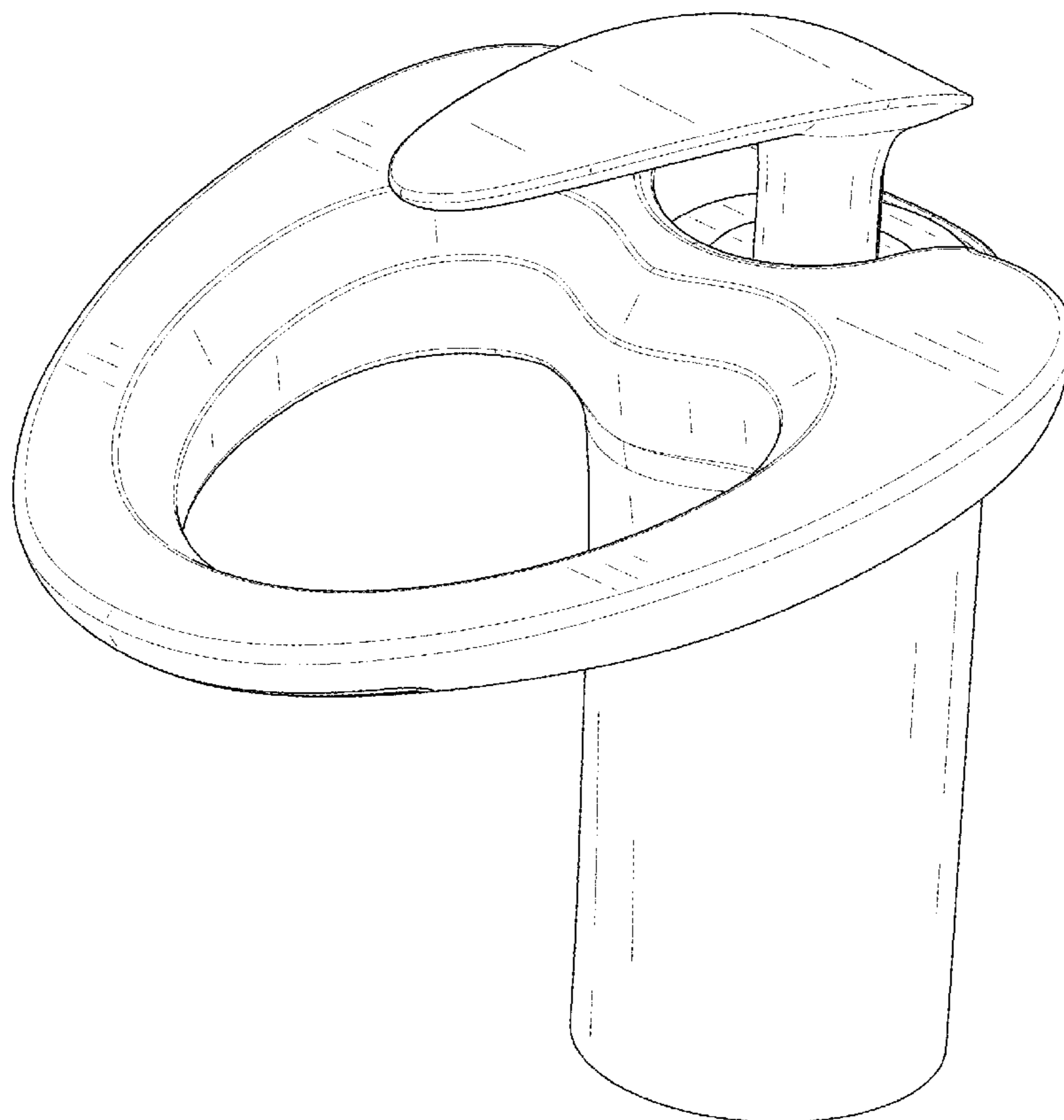
(57) **CLAIM**

The ornamental design for a waterfall faucet, as shown and described.

DESCRIPTION

FIG. 1 is a front perspective view of a waterfall faucet, showing my new design;
FIG. 2 is a rear perspective view thereof;
FIG. 3 is a bottom perspective view thereof;
FIG. 4 is a front elevational view thereof;
FIG. 5 is a rear elevational view thereof;
FIG. 6 is a left side view thereof, the right side view being a mirror image of FIG. 6;
FIG. 7 is a top plan view thereof; and,
FIG. 8 is a bottom plan view thereof.
The broken line showing of the bottom surface is included for the purpose of illustrating the faucet and forms no part of the claimed design.

1 Claim, 8 Drawing Sheets



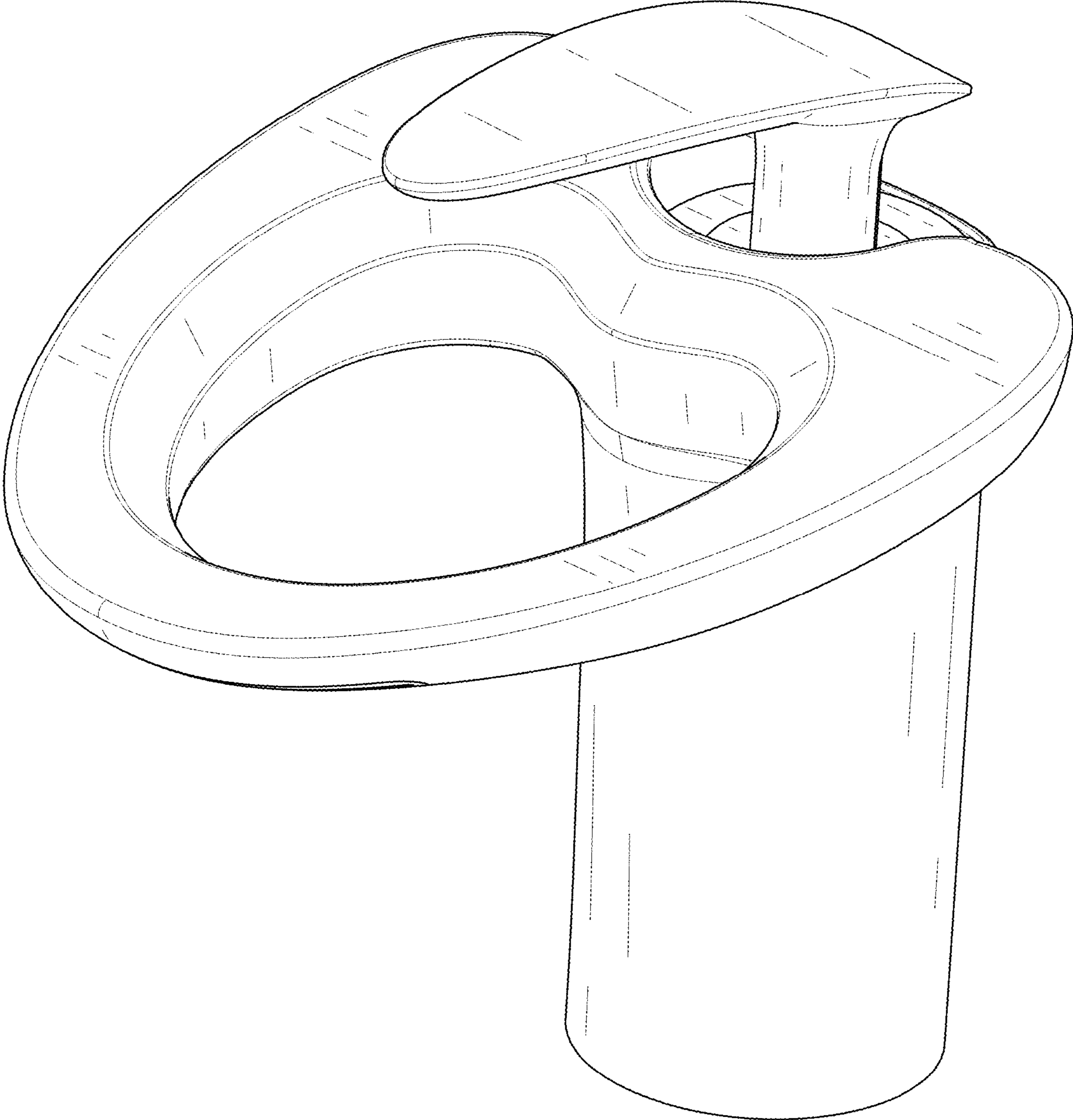


FIG. 1

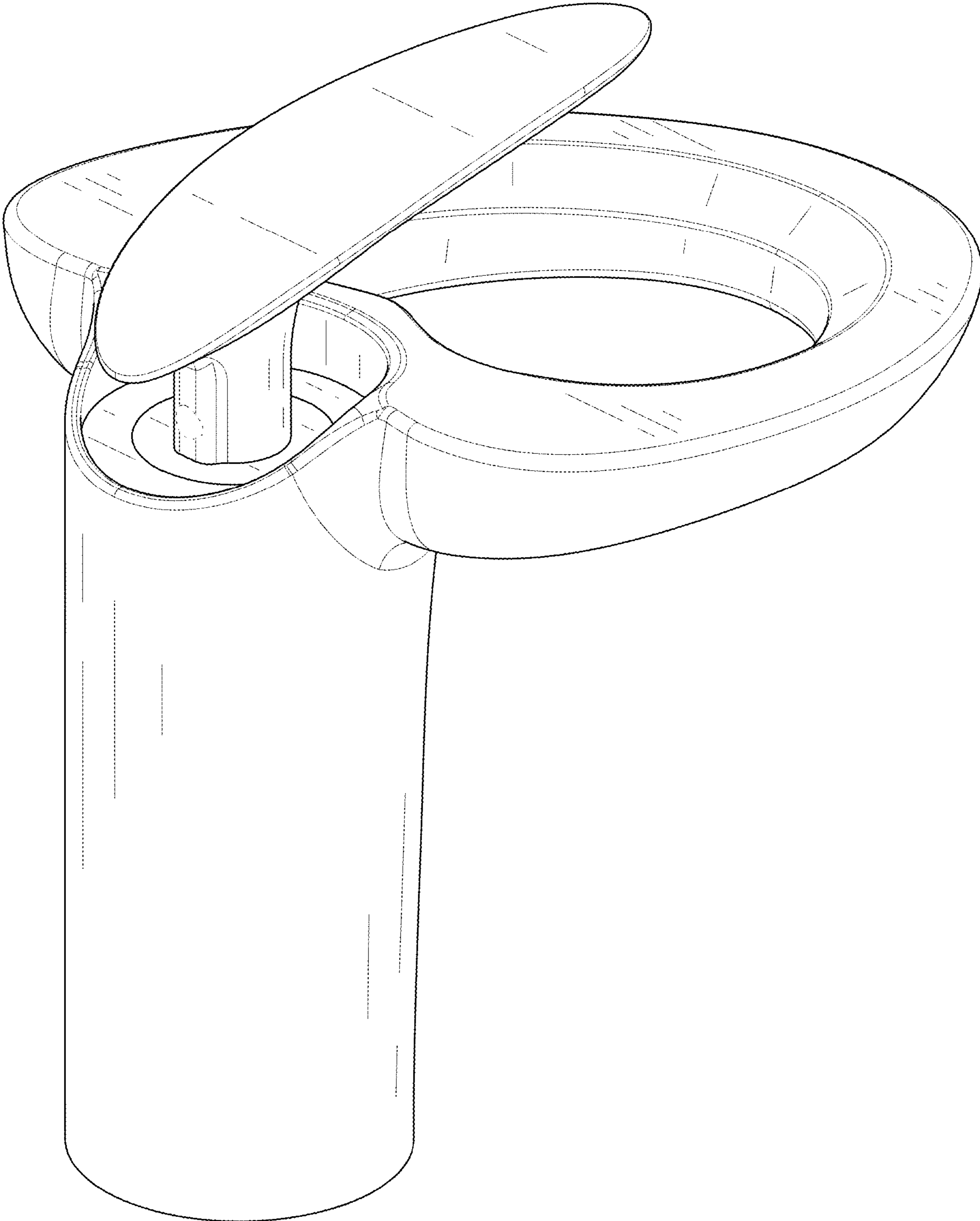


FIG. 2

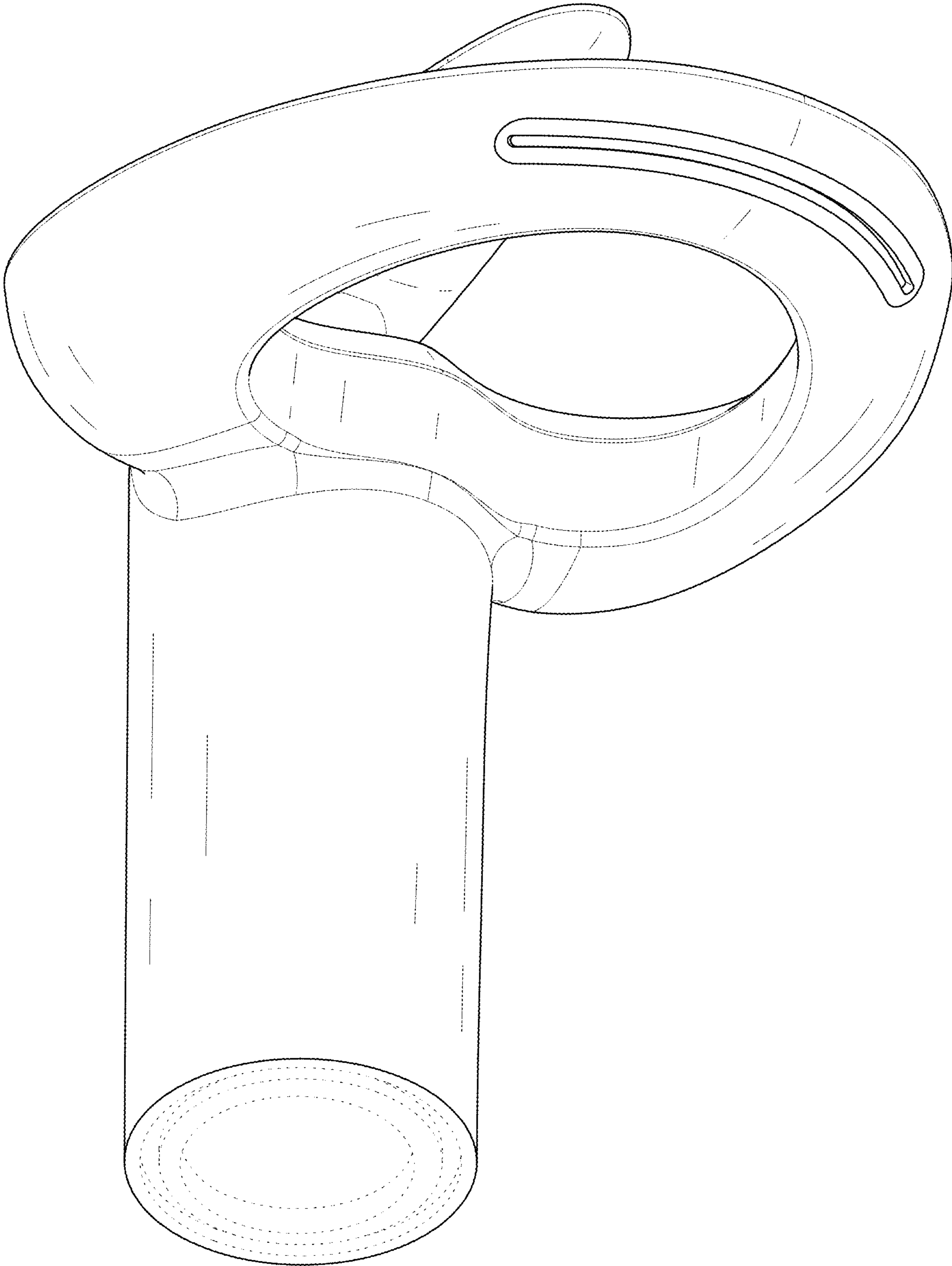


FIG.3

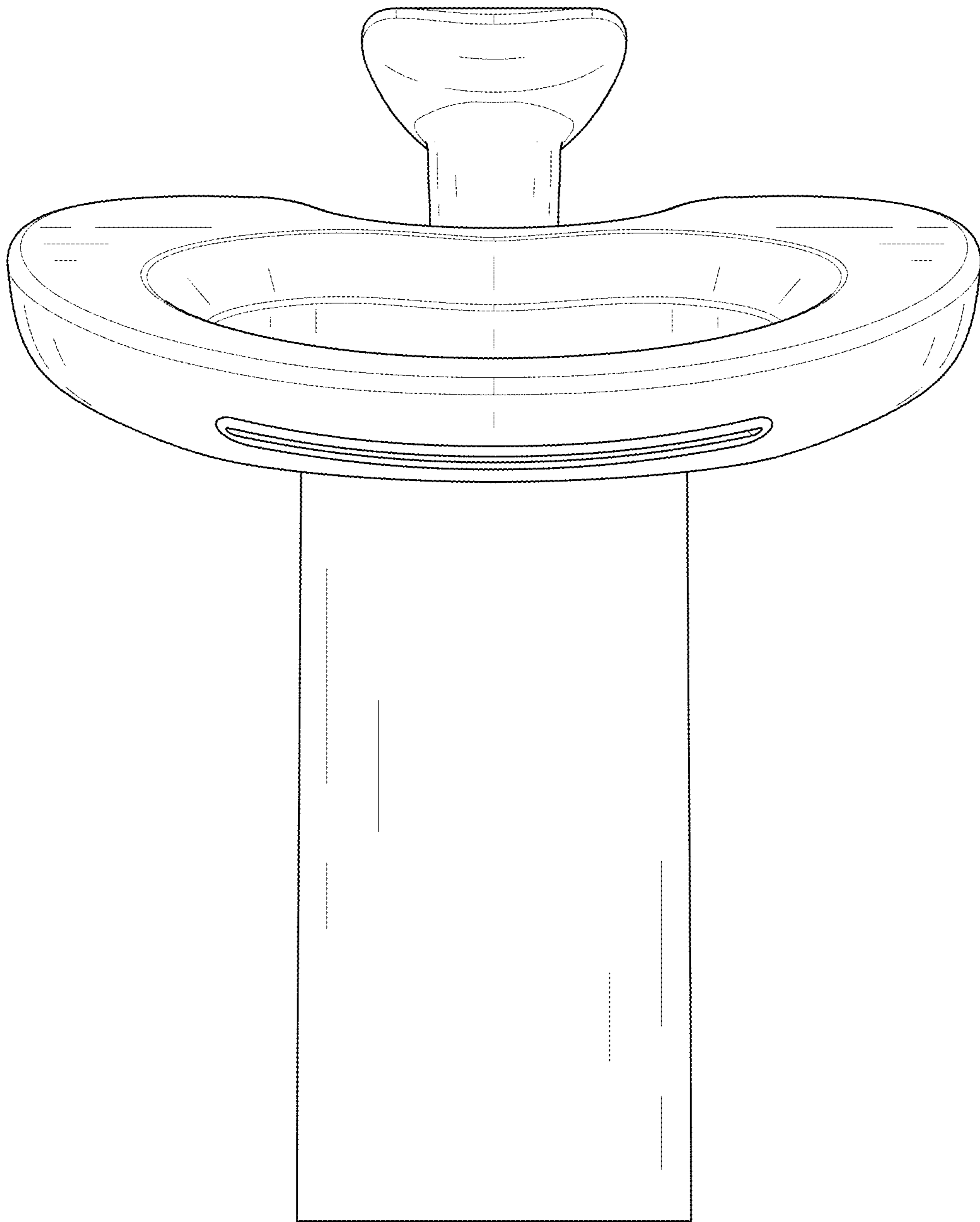


FIG. 4

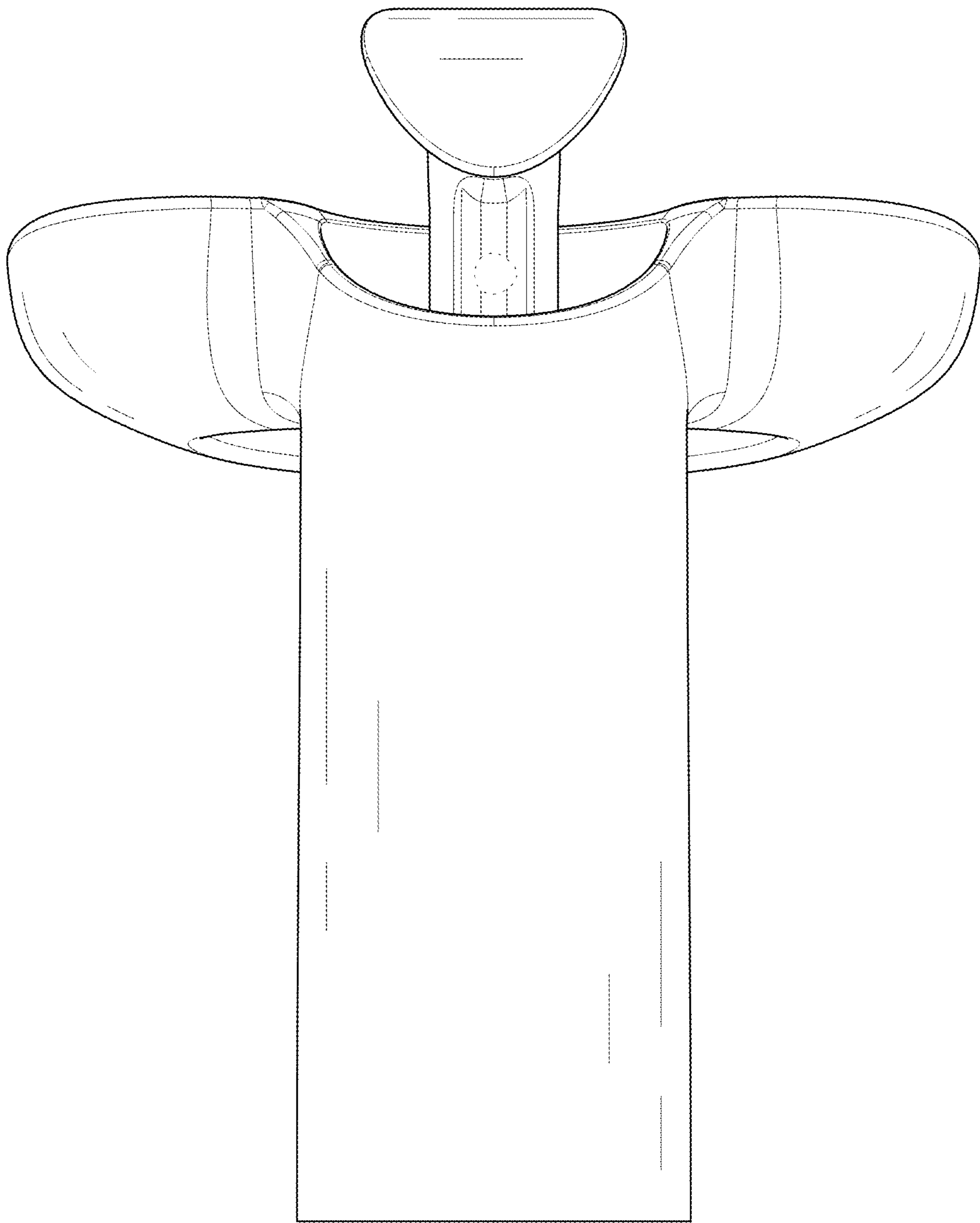


FIG. 5

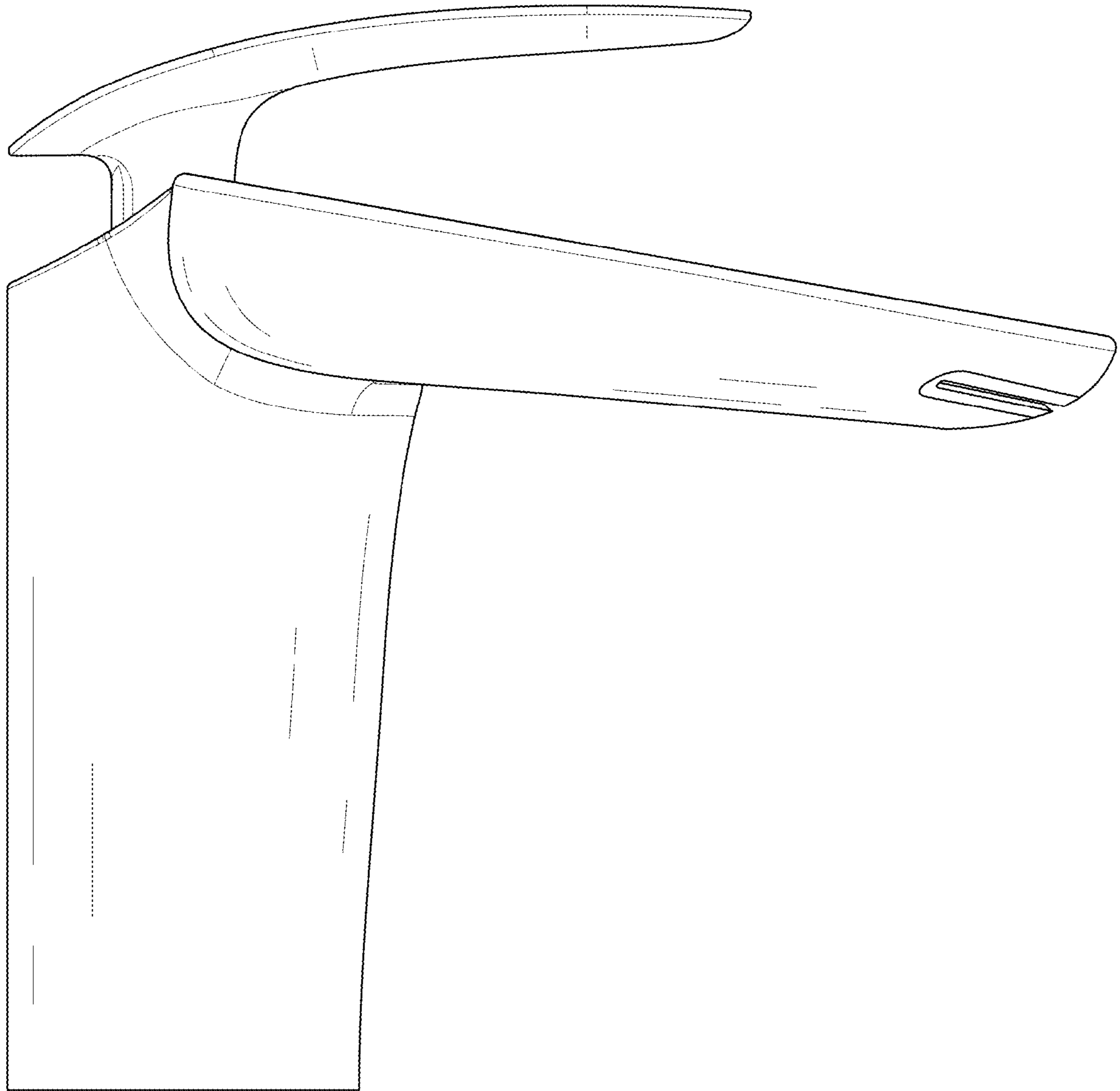


FIG. 6

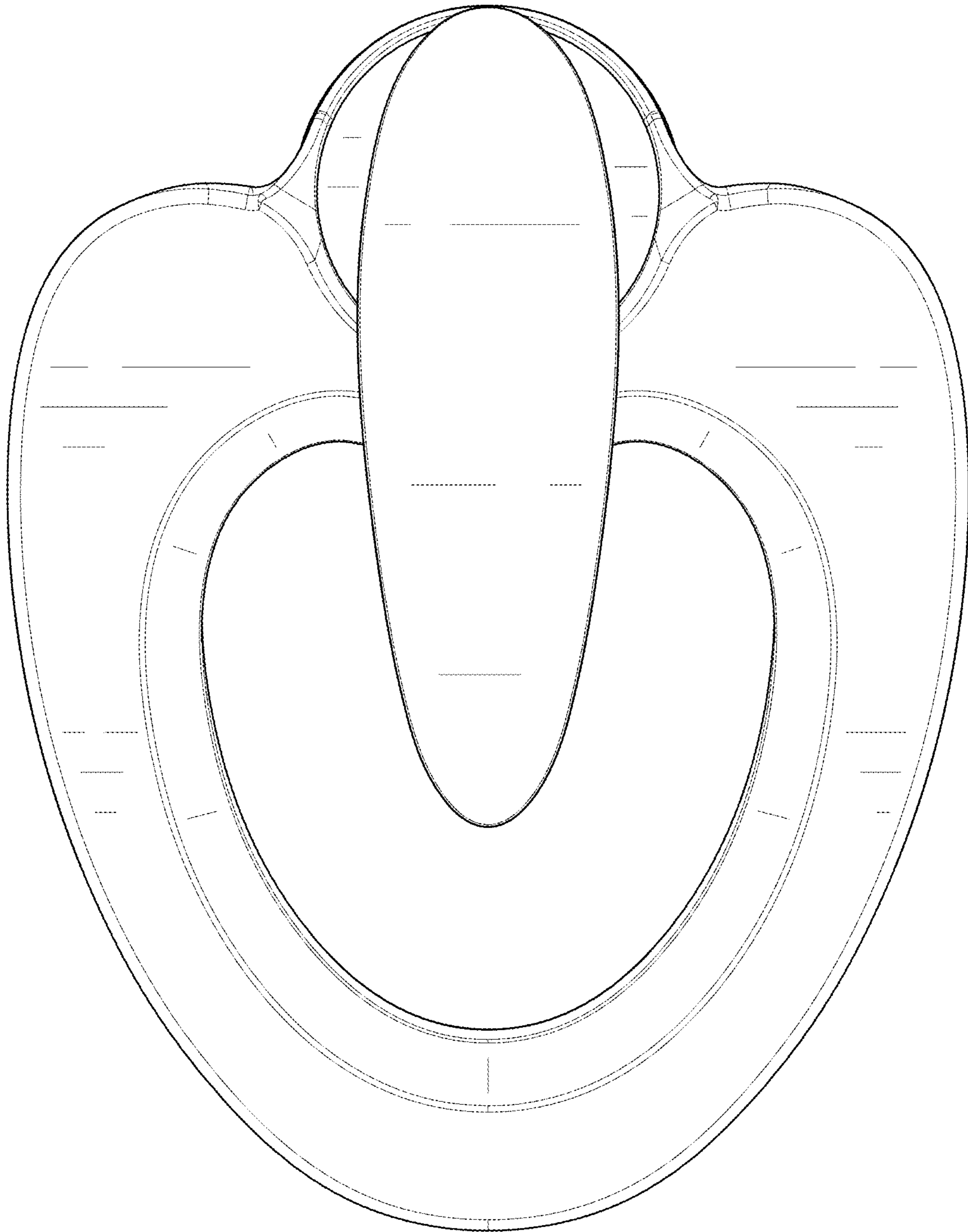


FIG. 7

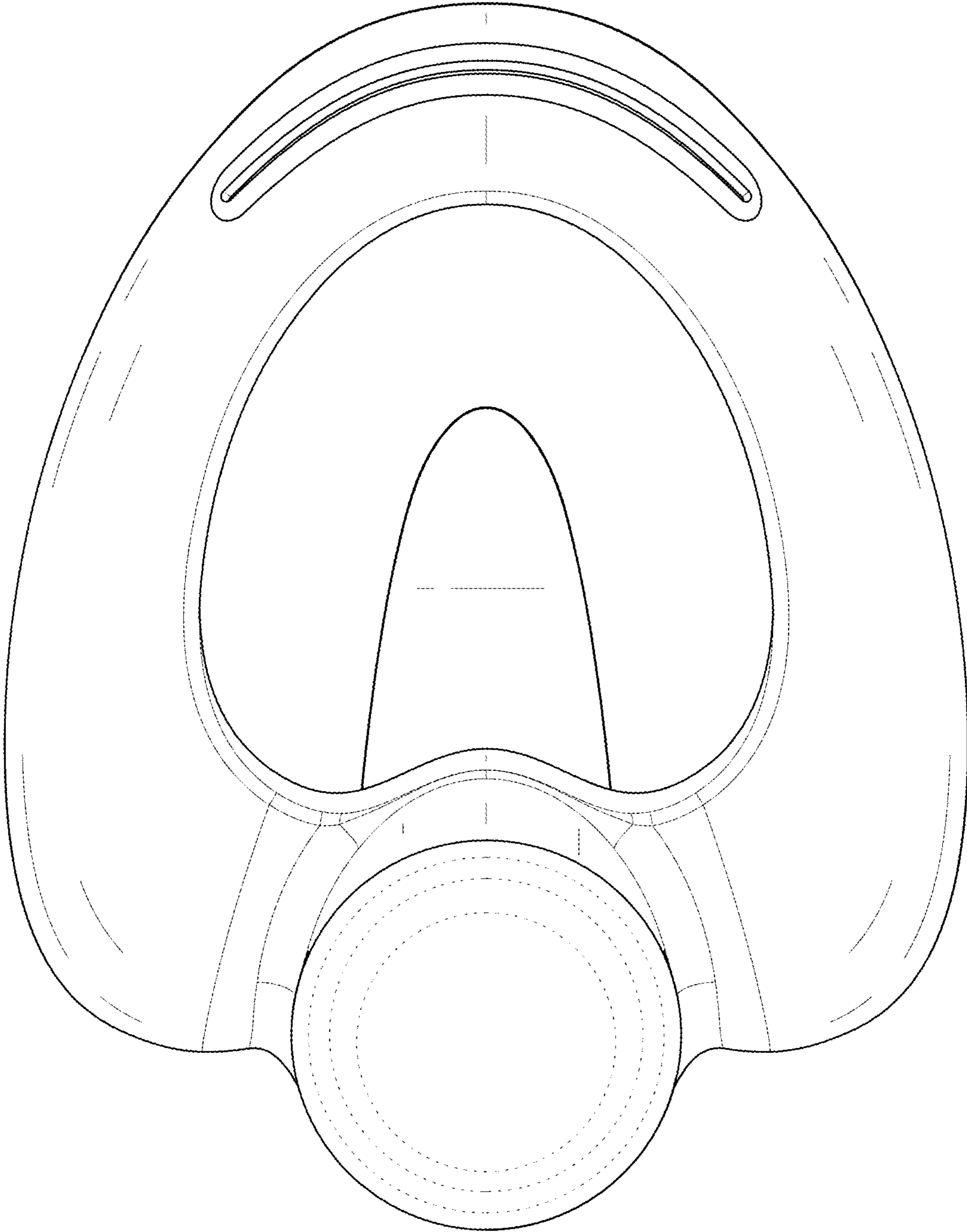


FIG. 8