



US0D1030952S

(12) **United States Design Patent**
Napier-Roden

(10) **Patent No.: US D1,030,952 S**

(45) **Date of Patent: ** Jun. 11, 2024**

(54) **SANITIZING BAG**

(71) Applicant: **Christyne Anne Napier-Roden**, San Jose, CA (US)

(72) Inventor: **Christyne Anne Napier-Roden**, San Jose, CA (US)

(**) Term: **15 Years**

(21) Appl. No.: **29/801,068**

(22) Filed: **Jul. 26, 2021**

(51) **LOC (14) Cl.** **23-01**

(52) **U.S. Cl.**

USPC **D23/208**; D3/289; D24/217

(58) **Field of Classification Search**

USPC D3/219, 226, 273, 274, 276, 284, 285, D3/289, 290, 305, 307, 319; D23/207, D23/208, 366; D24/217; D7/607

(Continued)

(56) **References Cited**

U.S. PATENT DOCUMENTS

4,805,776 A * 2/1989 Namgyal A45C 3/00
383/110

D417,076 S * 11/1999 Buban, Jr. D3/276

(Continued)

FOREIGN PATENT DOCUMENTS

CN 202130067382.0 * 6/2021

CN 202230002108.X * 8/2022

OTHER PUBLICATIONS

Rveal Uvilizer Bag. Amazon Standard ID# B089RR4ZBX. Catalogue [Online]. Amazon.com 2020. [Date First Available: Jun. 20, 2020][Retrieved on Jun. 1, 2023]. Retrieved from the Internet: <URL:https://www.amazon.com/Rveal-UVILIZER-Extra-Rechargeable-Disinfection/dp/B089RR4ZBX> (Year: 2020).*

(Continued)

Primary Examiner — Janice Hallmark

Assistant Examiner — Adedoyin Taiwo Odeyale

(57) **CLAIM**

The ornamental design for a sanitizing bag, as shown and described.

DESCRIPTION

FIG. 1 is a front-top-left perspective view of a sanitizing bag showing my new design;

FIG. 2 is a front-top-right perspective view thereof;

FIG. 3 is a rear-bottom-right perspective view thereof;

FIG. 4 is a rear-bottom-left perspective view thereof;

FIG. 5 is a front plan view thereof;

FIG. 6 is a rear plan view thereof;

FIG. 7 is a right-side elevational view thereof;

FIG. 8 is a left-side elevational view thereof;

FIG. 9 is a top plan view thereof;

FIG. 10 is a bottom plan view thereof;

FIG. 11 is a front-top-left perspective view of a sanitizing bag in an open configuration;

FIG. 12 is a front-top-right perspective view thereof;

FIG. 13 is a rear-bottom-right perspective view thereof;

FIG. 14 is a rear-bottom-left perspective view thereof;

FIG. 15 is a front plan view thereof;

FIG. 16 is a rear plan view thereof;

FIG. 17 is a left-side elevational view thereof;

FIG. 18 is a right-side elevational view thereof;

FIG. 19 is a top plan view thereof;

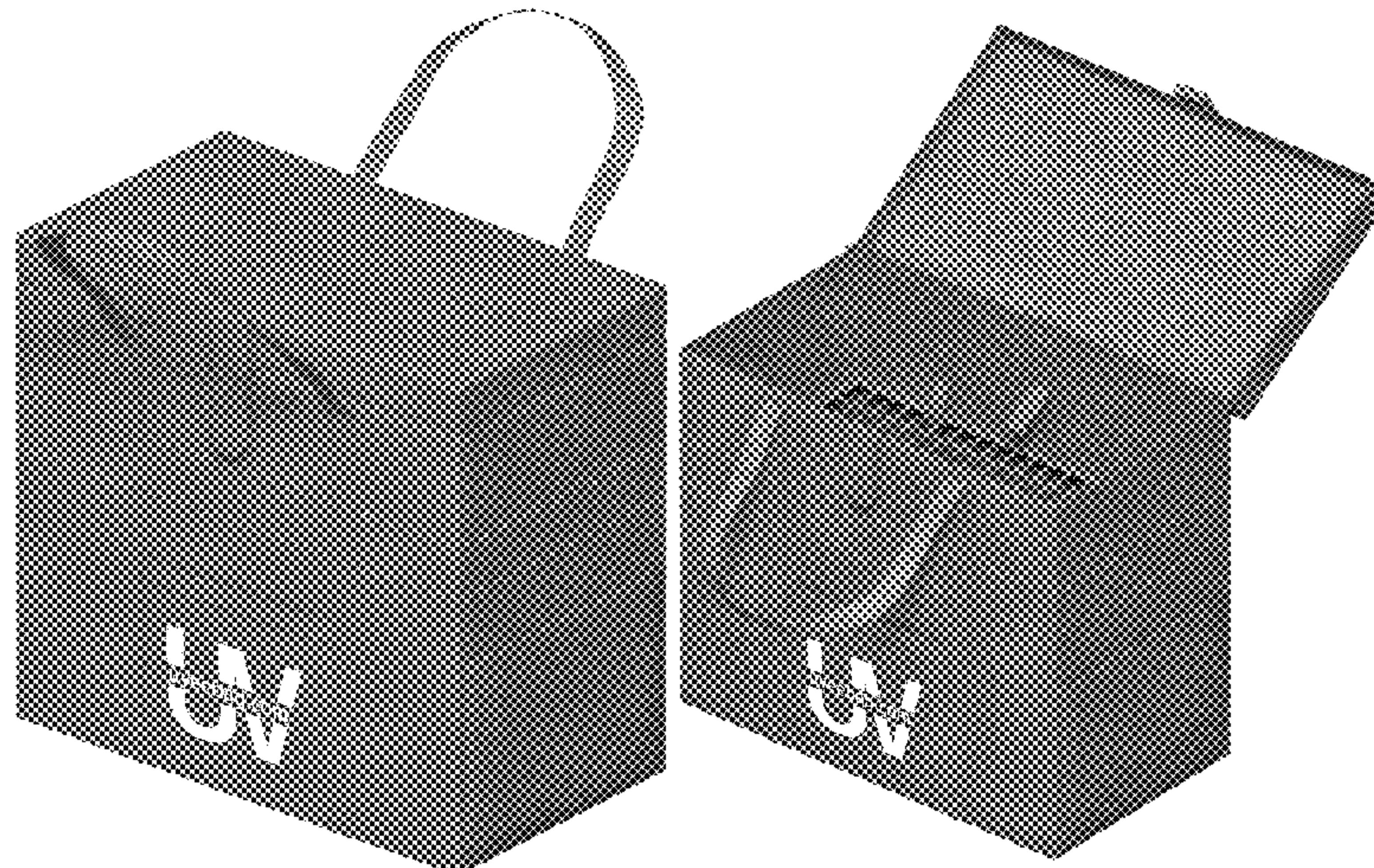
FIG. 20 is a bottom elevational view thereof;

FIG. 21 is a vertical cross-sectional perspective view thereof; taken in the direction of line 21-21 of FIG. 12, showing the rear internal cavity of the sanitizing bag in an open configuration;

FIG. 22 is a vertical cross-sectional perspective view taken in the direction of line 22-22 of FIG. 12, showing the front internal cavity thereof; and,

FIG. 23 is a horizontal cross-sectional perspective view taken in the direction of line 23-23 of FIG. 12, showing the base internal cavity thereof.

(Continued)



The broken lines showing logos in FIGS. 1, 2, 5, 7, 8, 10, 11, 12, 15, 17, 18, 20, and 23 are included for the purpose of showing environmental structure and form no part of the claimed design.

1 Claim, 23 Drawing Sheets

(58) **Field of Classification Search**

CPC A45C 11/00; A45C 1/04; A61L 2/10
See application file for complete search history.

(56)

References Cited

U.S. PATENT DOCUMENTS

D602,253	S	*	10/2009	Rees	D3/289
D671,317	S	*	11/2012	Sabounjian	D3/285
D685,575	S	*	7/2013	Cullen	D3/289
8,617,464	B2		12/2013	Kerr		
D832,579	S	*	11/2018	Monroe	D3/307
D845,625	S	*	4/2019	Barlier	D3/289
D861,335	S	*	10/2019	Barlier	D7/607
D872,871	S	*	1/2020	Roberts	D3/203.1
D883,667	S	*	5/2020	Barlier	D3/285
D884,918	S	*	5/2020	Roberts	D24/217
D911,710	S	*	3/2021	Karalis	D3/289
D914,364	S	*	3/2021	Ou Yang	D3/289
D918,296	S	*	5/2021	Merckenschlager	D19/86
D927,013	S	*	8/2021	Ou Yang	D24/217
D931,059	S	*	9/2021	Kieling	D7/607
D936,363	S	*	11/2021	Castenson	D9/705
D940,455	S	*	1/2022	Ulffers	D3/285
D946,889	S	*	3/2022	Shu	D3/274

D959,012	S	*	7/2022	Ou Yang	B65D 47/18 D24/217
2018/0154028	A1	*	6/2018	Offutt	A61L 2/24
2023/0023423	A1	*	1/2023	Napier-Roden	A61L 2/10

OTHER PUBLICATIONS

UV Light KLG-002A Sanitizer Bag. Amazon Standard ID# B08P54HTBK. Catalogue [Online]. Amazon.com 2022. [Date First Available: Dec. 28, 2020][Retrieved on Jun. 1, 2023]. Retrieved from the Internet: <URL:https://www.amazon.com/HOPE-Rechargeable-Sanitizing-Multipurpose-Wavelength/dp/B08P54HTBK> (Year: 2022).*

XLT Portable Disinfection Box UVC Sanitizer Bag. Amazon Standard ID# B0BM81XH9N. Catalogue [Online]. Amazon.com 2022. [Date First Available: Aug. 17, 2022][Retrieved on Jun. 1, 2023]. Retrieved from the Internet: <URL:https://www.amazon.com/Portable-Disinfection-Light-sanitizer-Jewelry/dp/B0BM81XH9N> (Year: 2022).*

Doctor's Choice UV Sanitizer Box. Amazon Standard ID# B091BC5HND. Catalogue [Online]. Amazon.com 2020. [Earliest Review Date: Sep. 4, 2020][Retrieved on Jun. 1, 2023]. Retrieved from the Internet: <URL:https://www.amazon.com/UV-Sanitizer-Sterilizer-Toothbrush-Pacifier/dp/B091BC5HND> (Year: 2020).*

JJ Care UV Sterilizer Bag, https://www.yoybuy.com/pd/zIQ3hHIBbZ1MBMb9JnNY.html.

UV-C Sanitizing Light Disinfection Portable Bag, https://www.amazon.com/Aduro-Sanitizer-Portable-Sterilizer-Disinfectant/dp/B08BX94VR8.

JJ Care UV Light Sanitizer Bag, Large UV Sterilizer Bag, https://www.pricepulse.app/jj-care-uv-light-sanitizer-bag-large-uv-sterilizer_us_9588266.

* cited by examiner

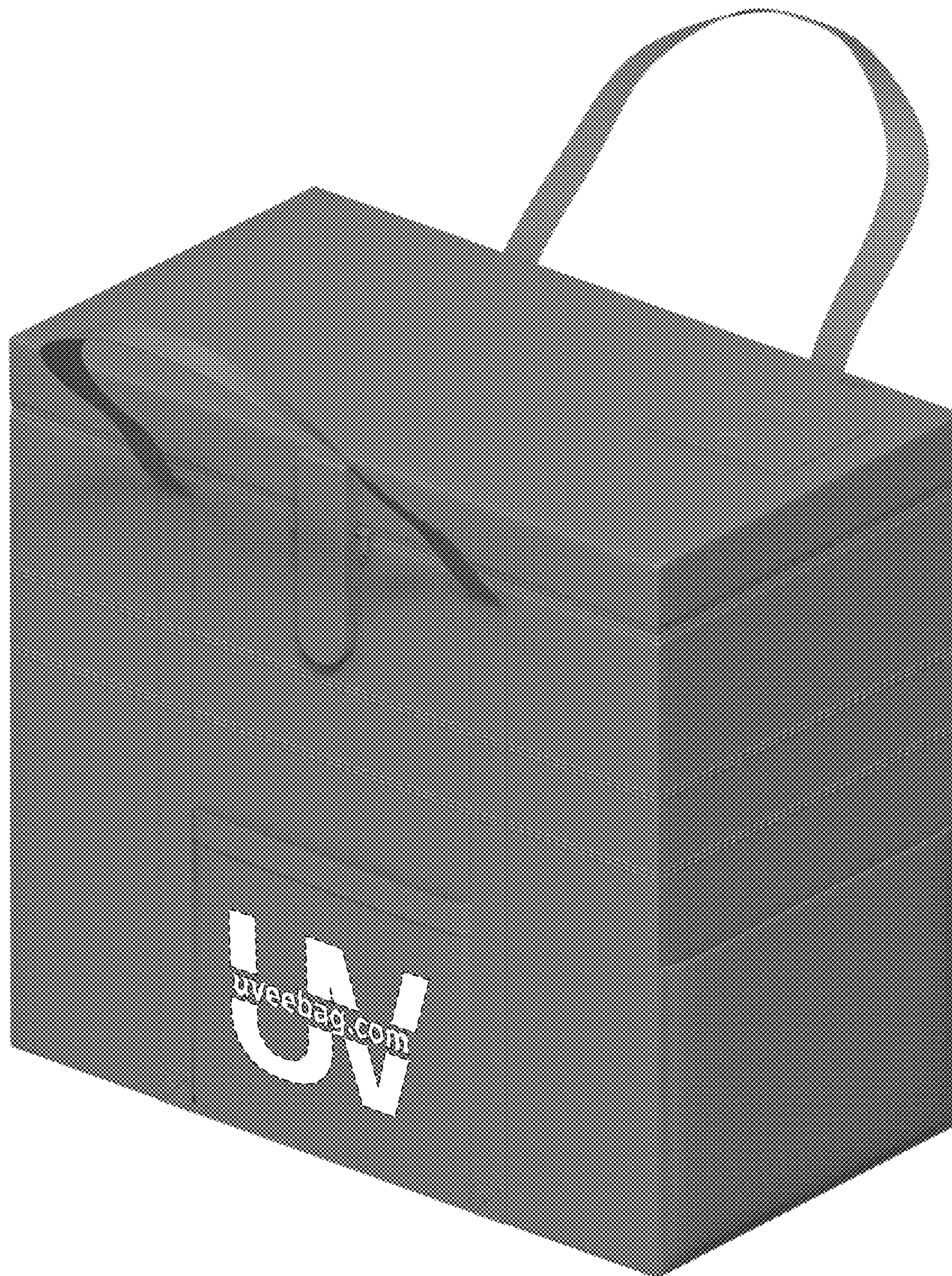


FIG. 1



FIG. 2

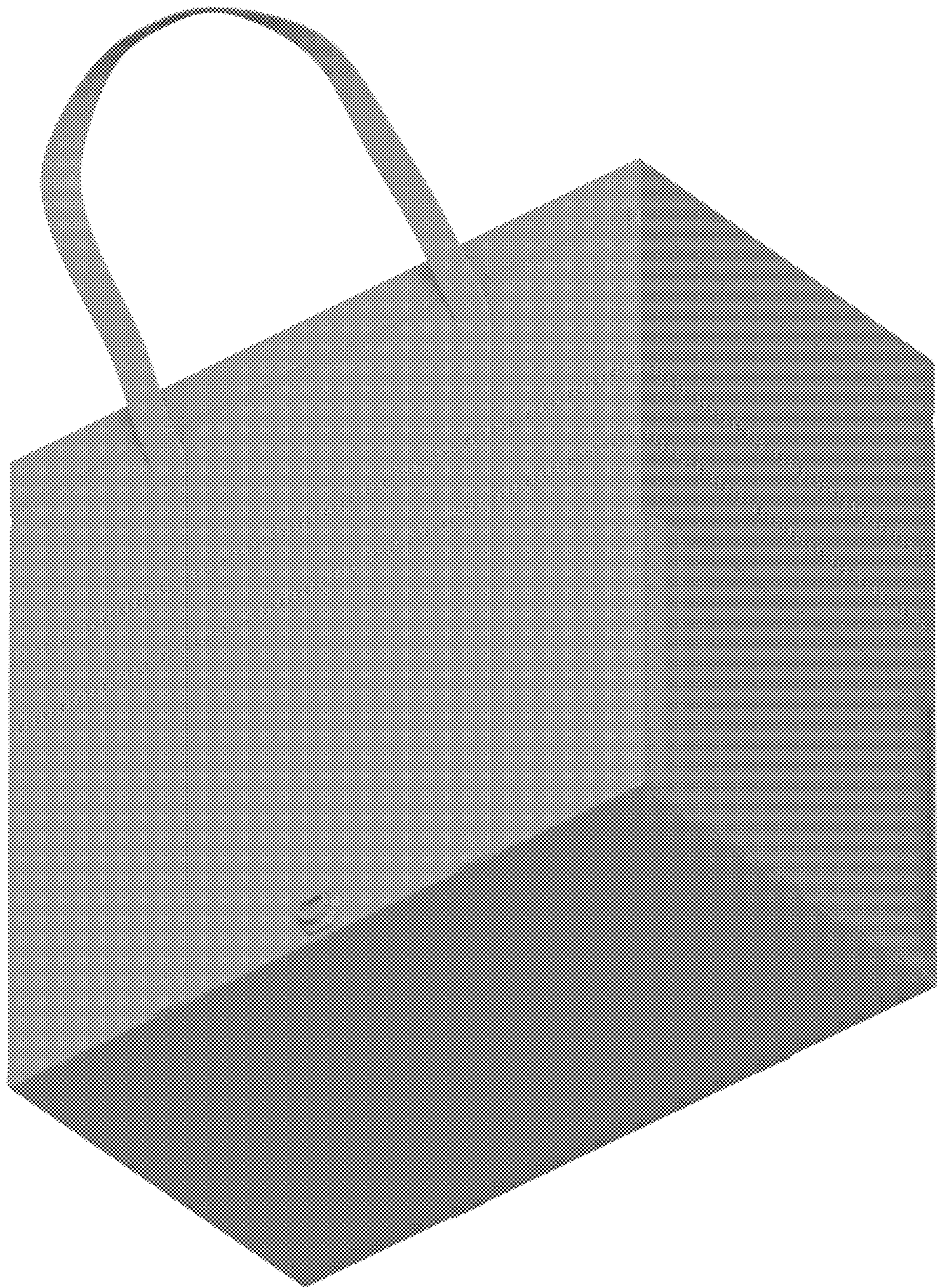


FIG. 3

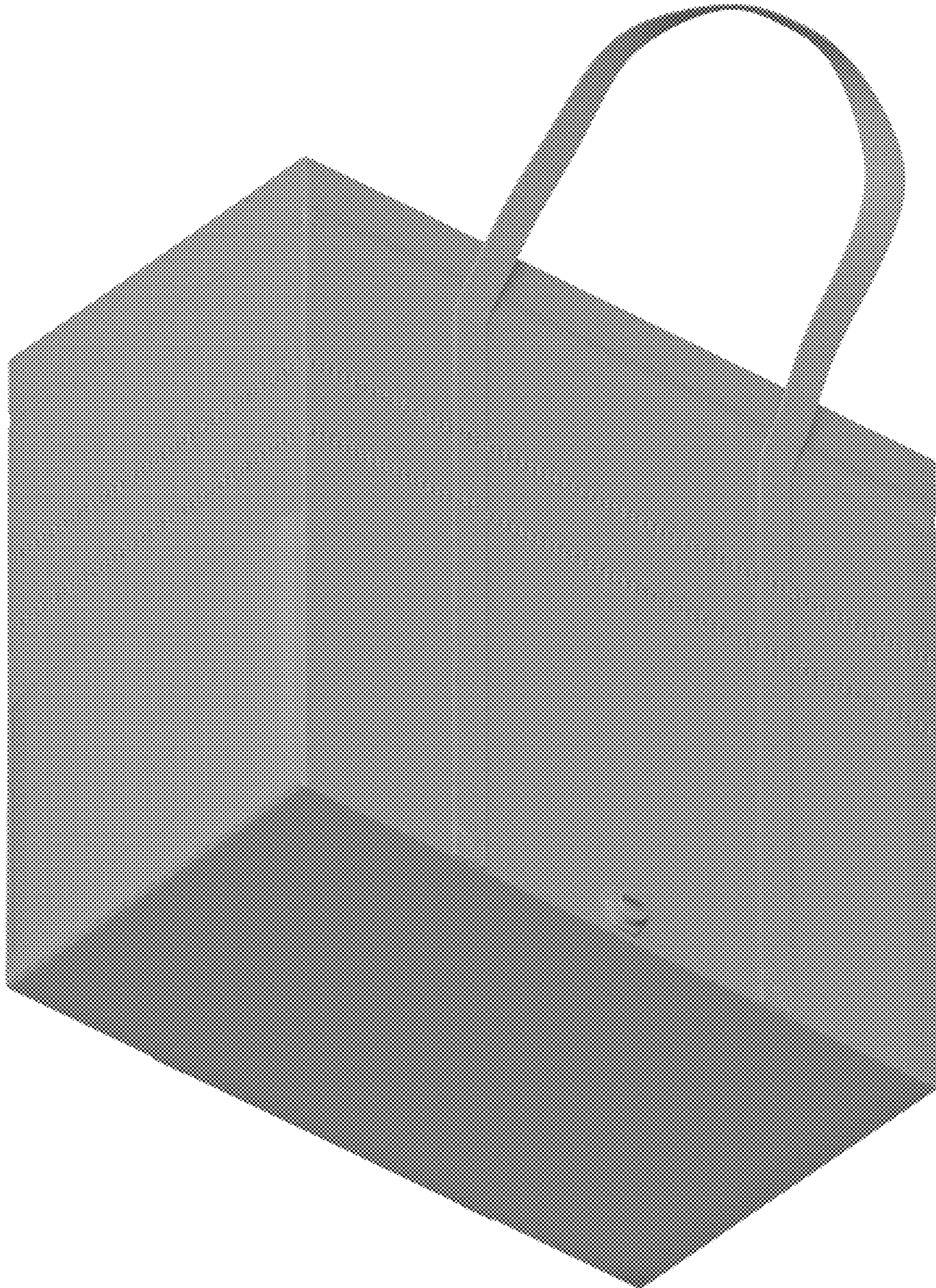


FIG. 4



FIG. 5

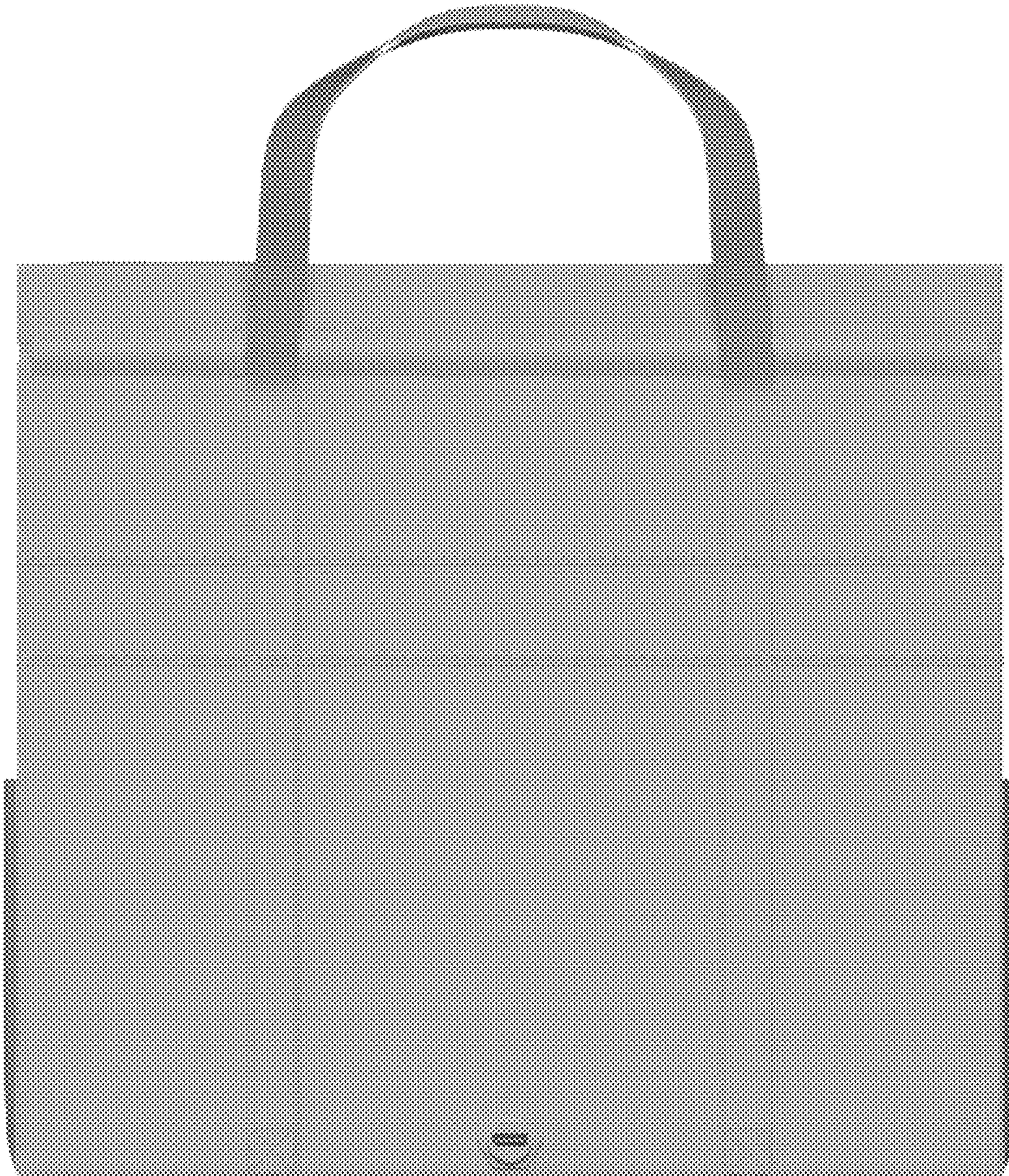


FIG. 6

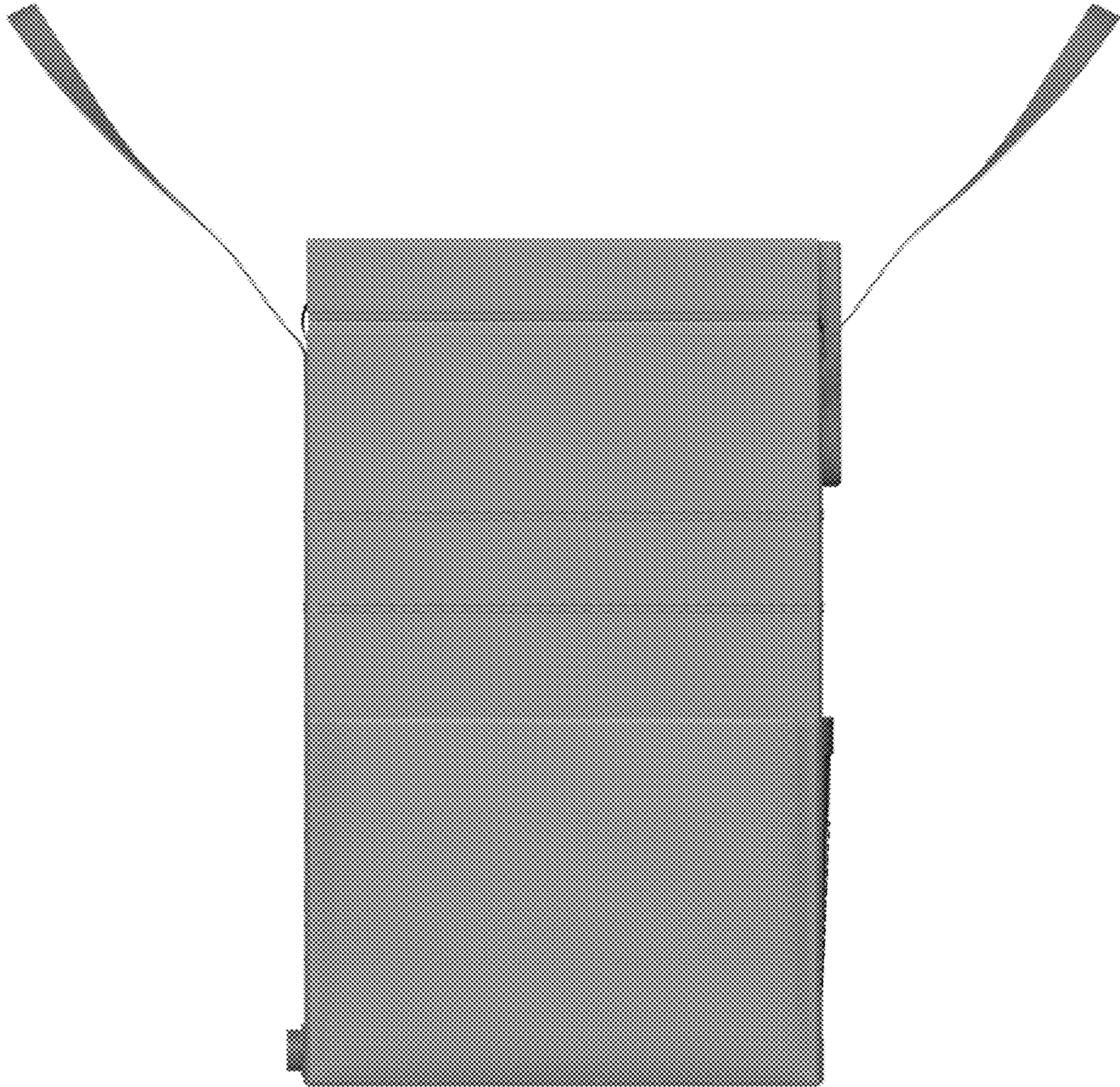


FIG. 7

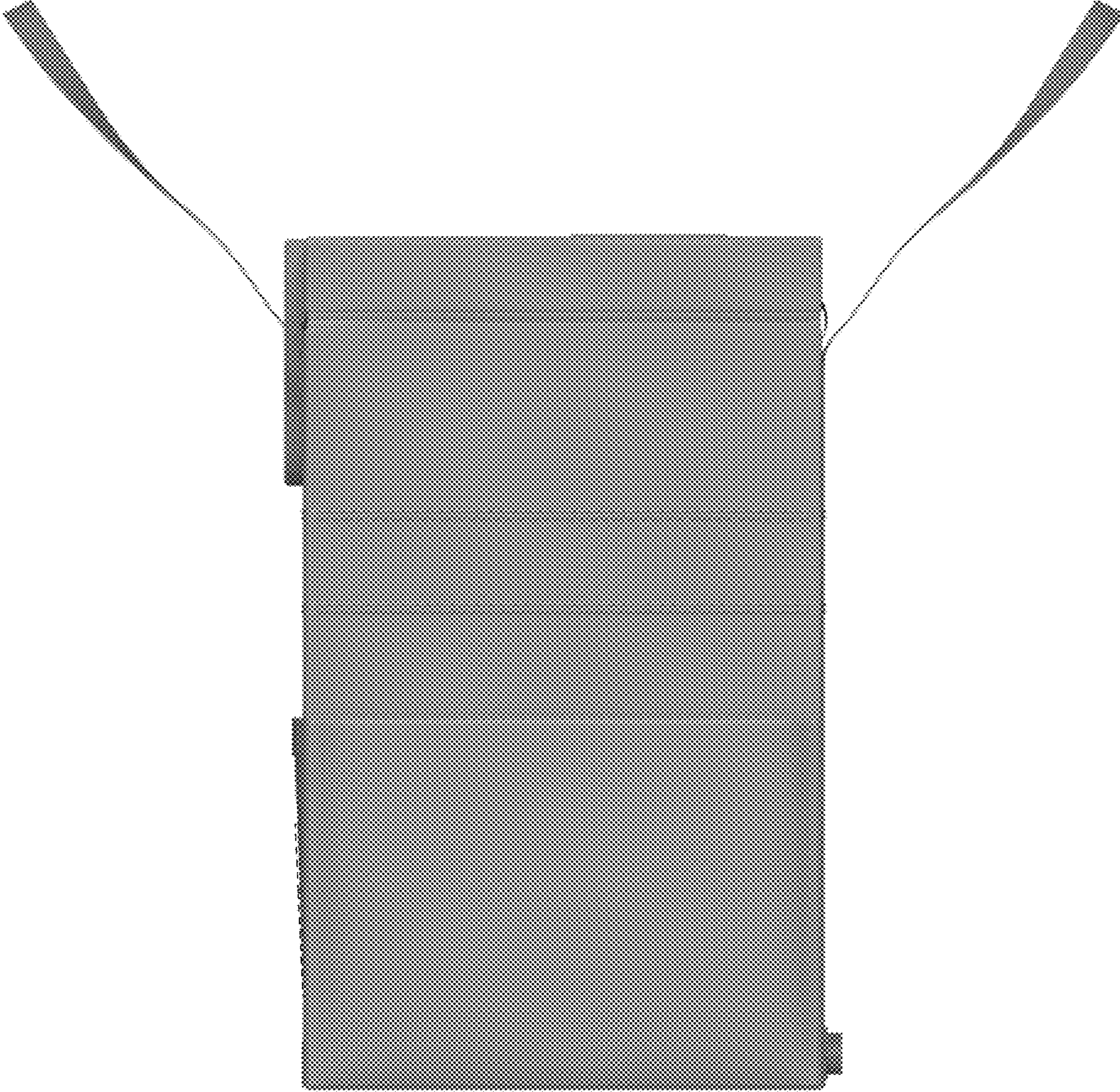


FIG. 8

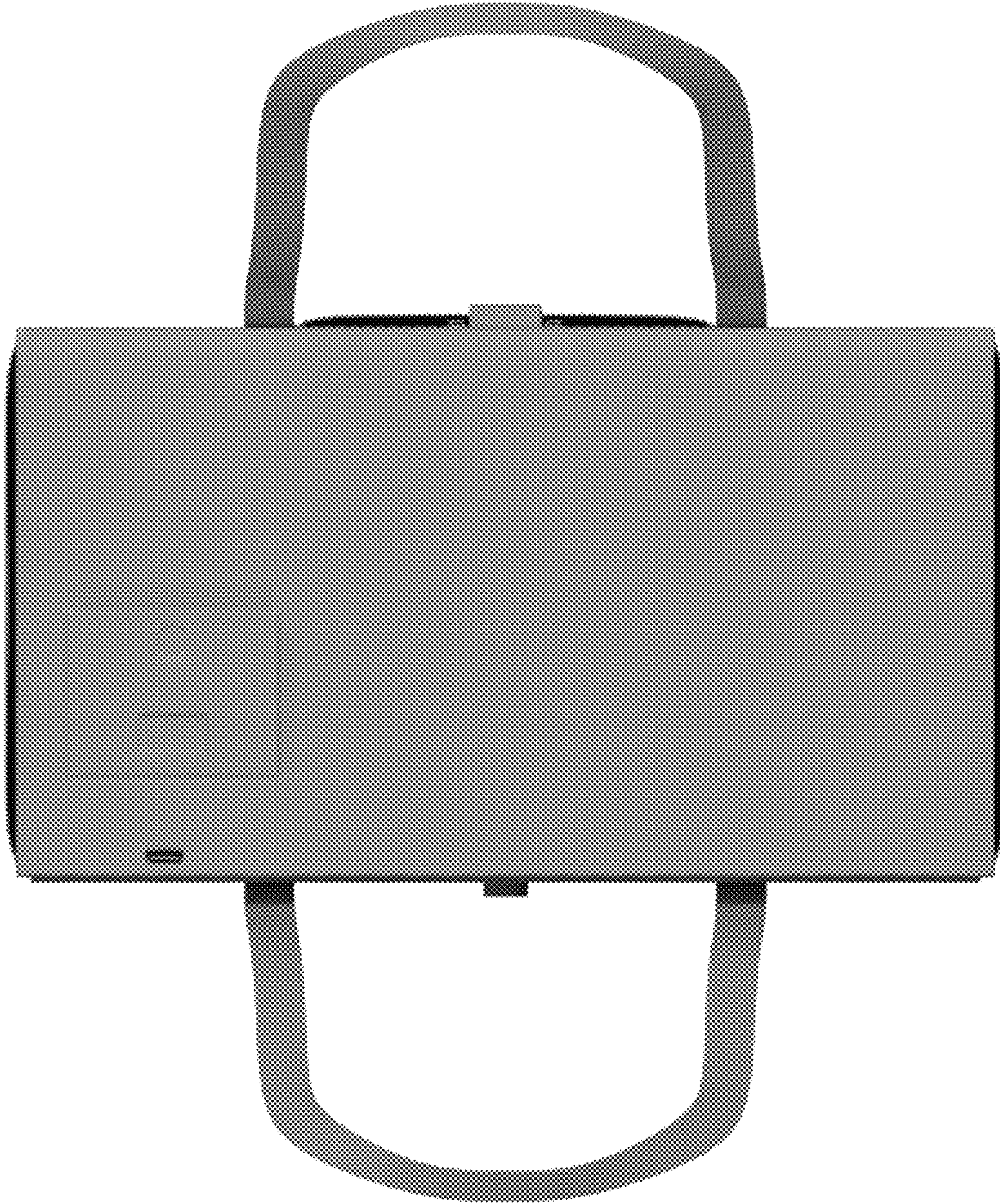


FIG. 9

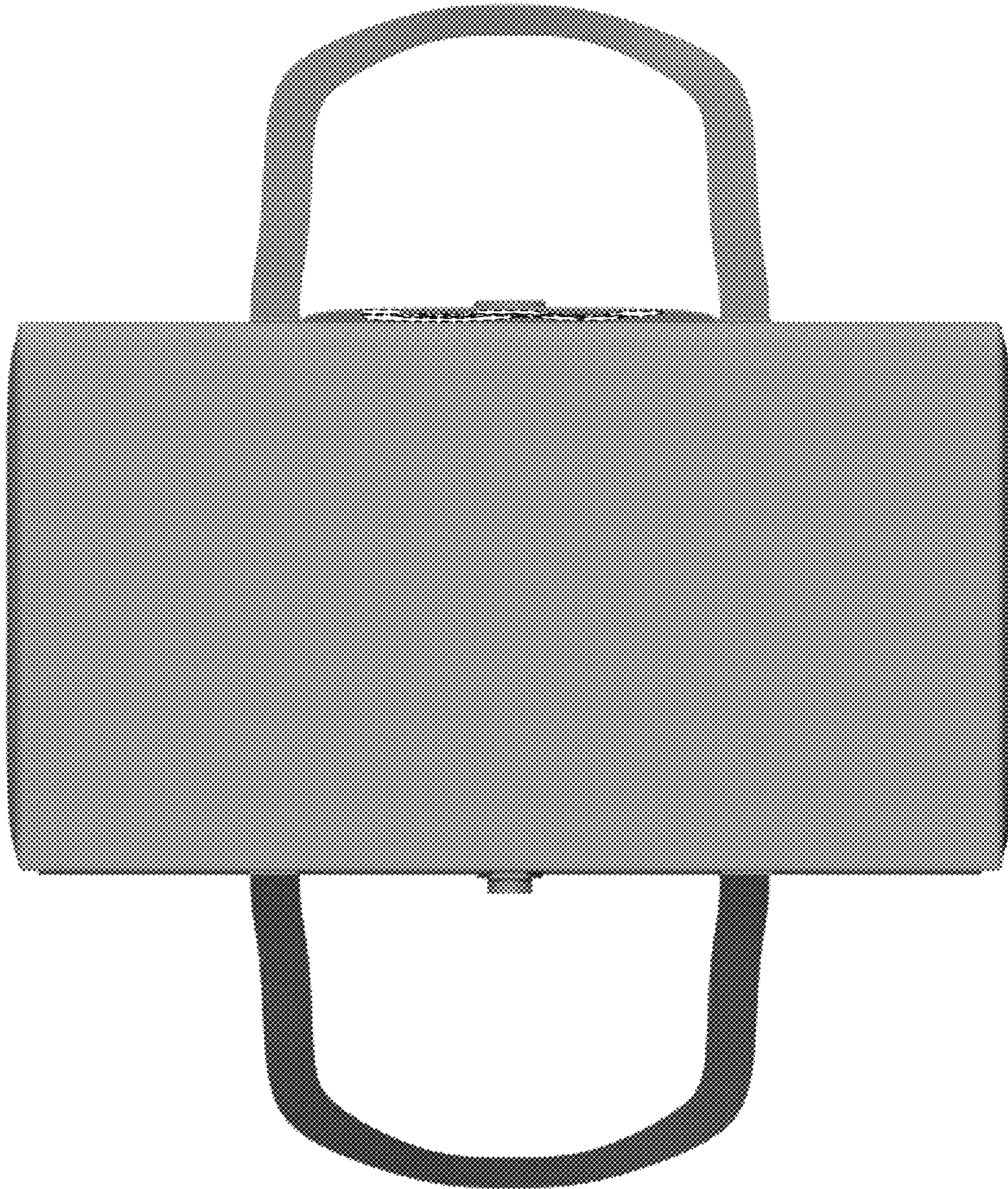


FIG. 10

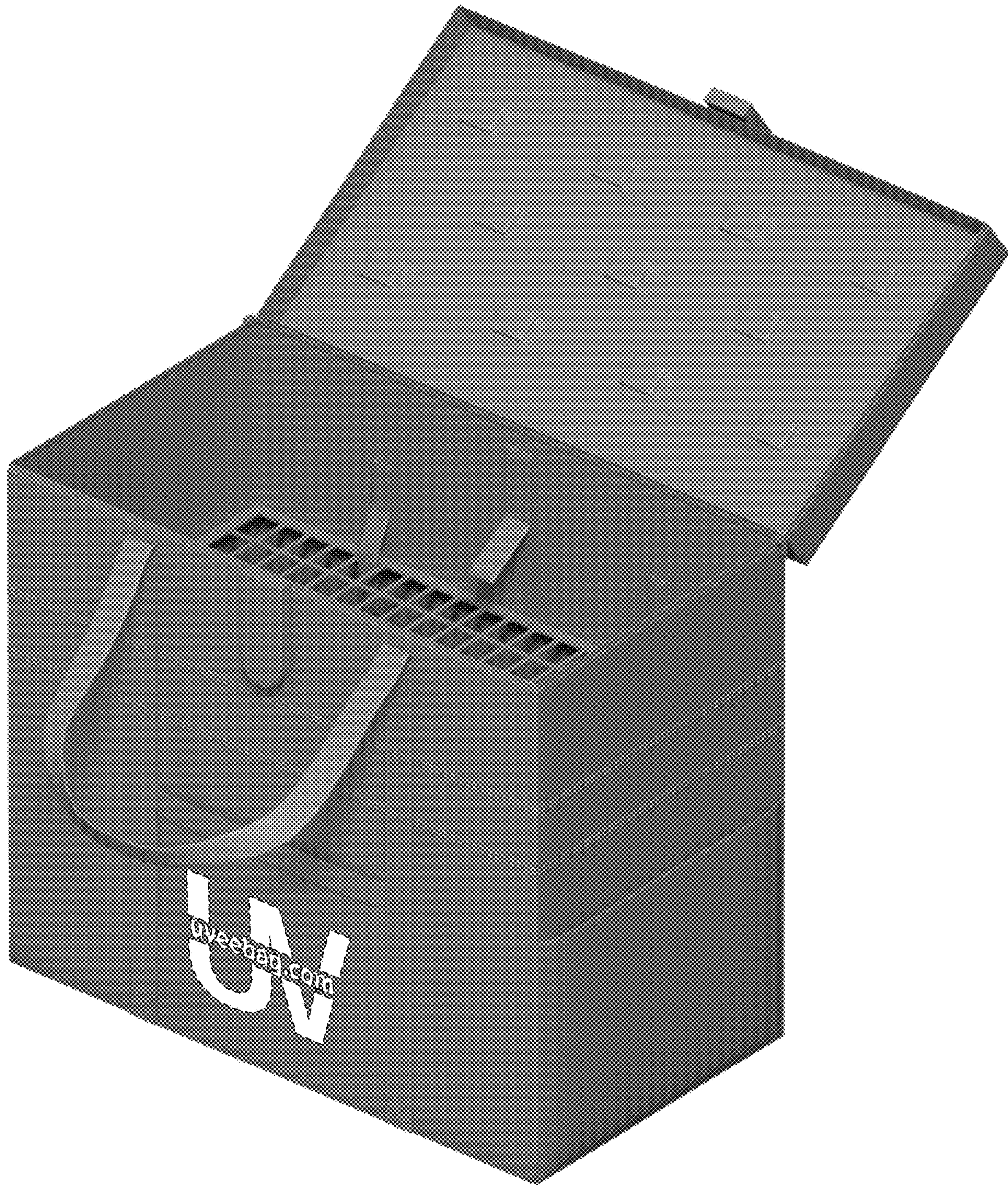


FIG. 11

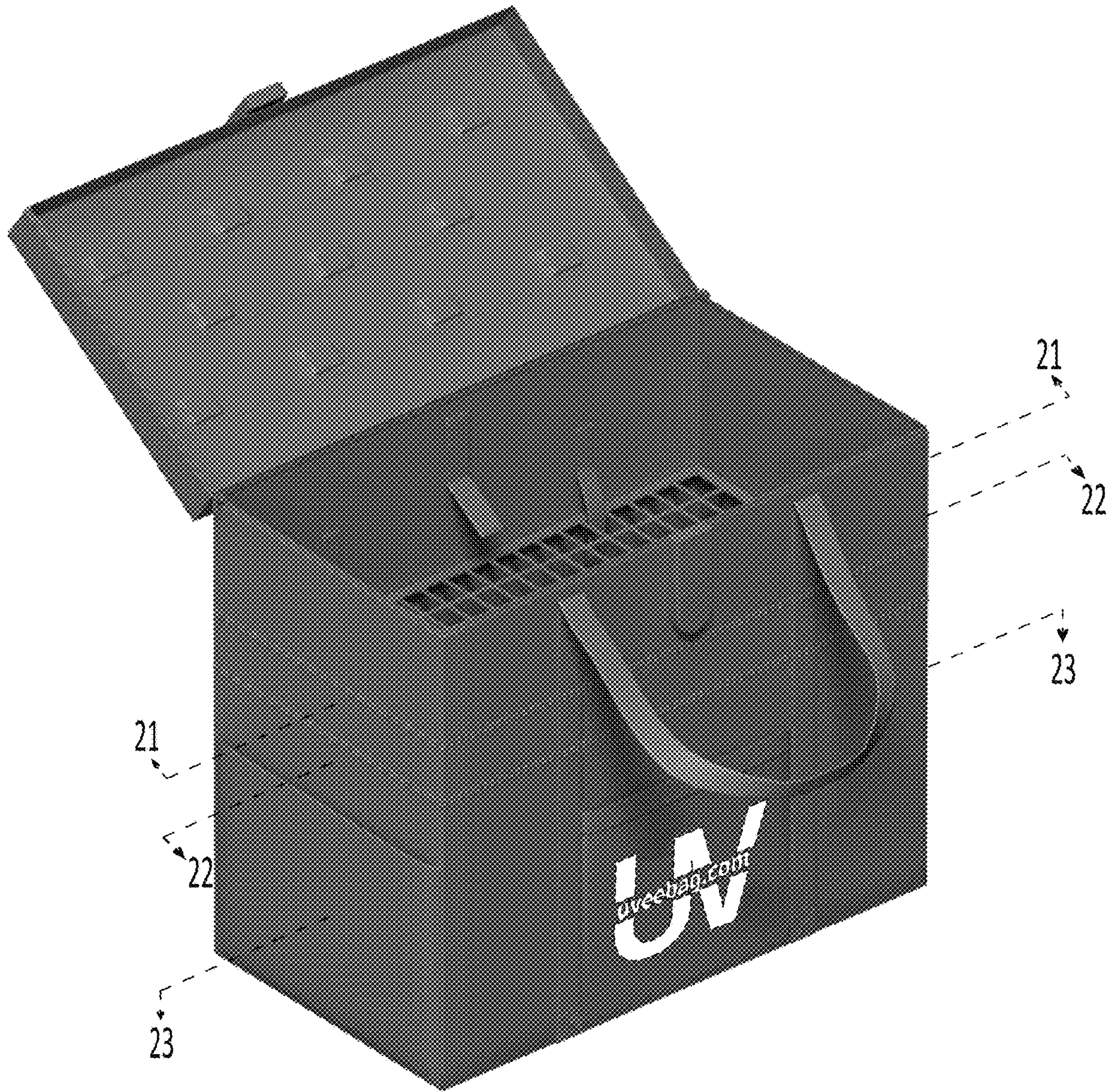


FIG. 12

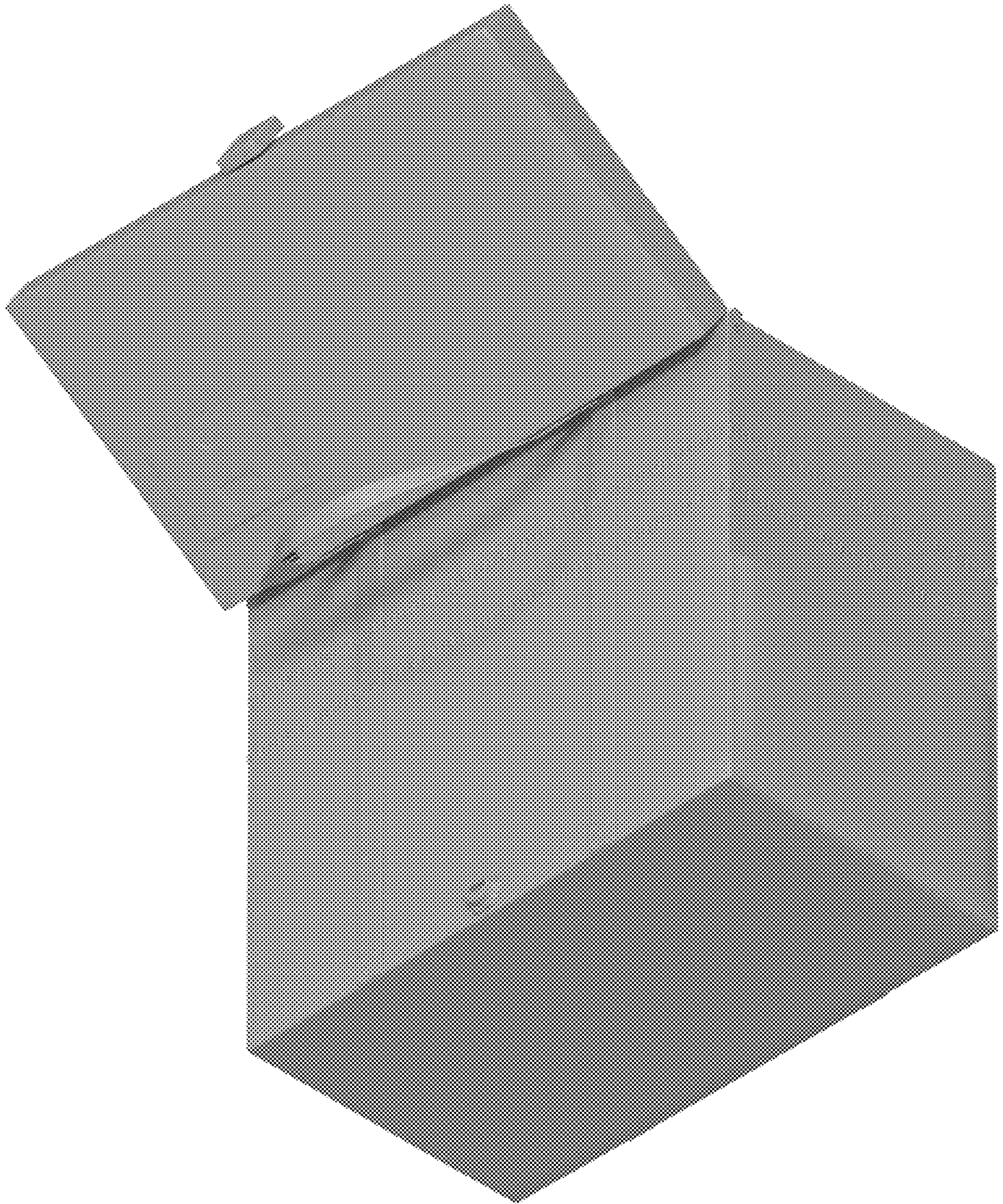


FIG. 13

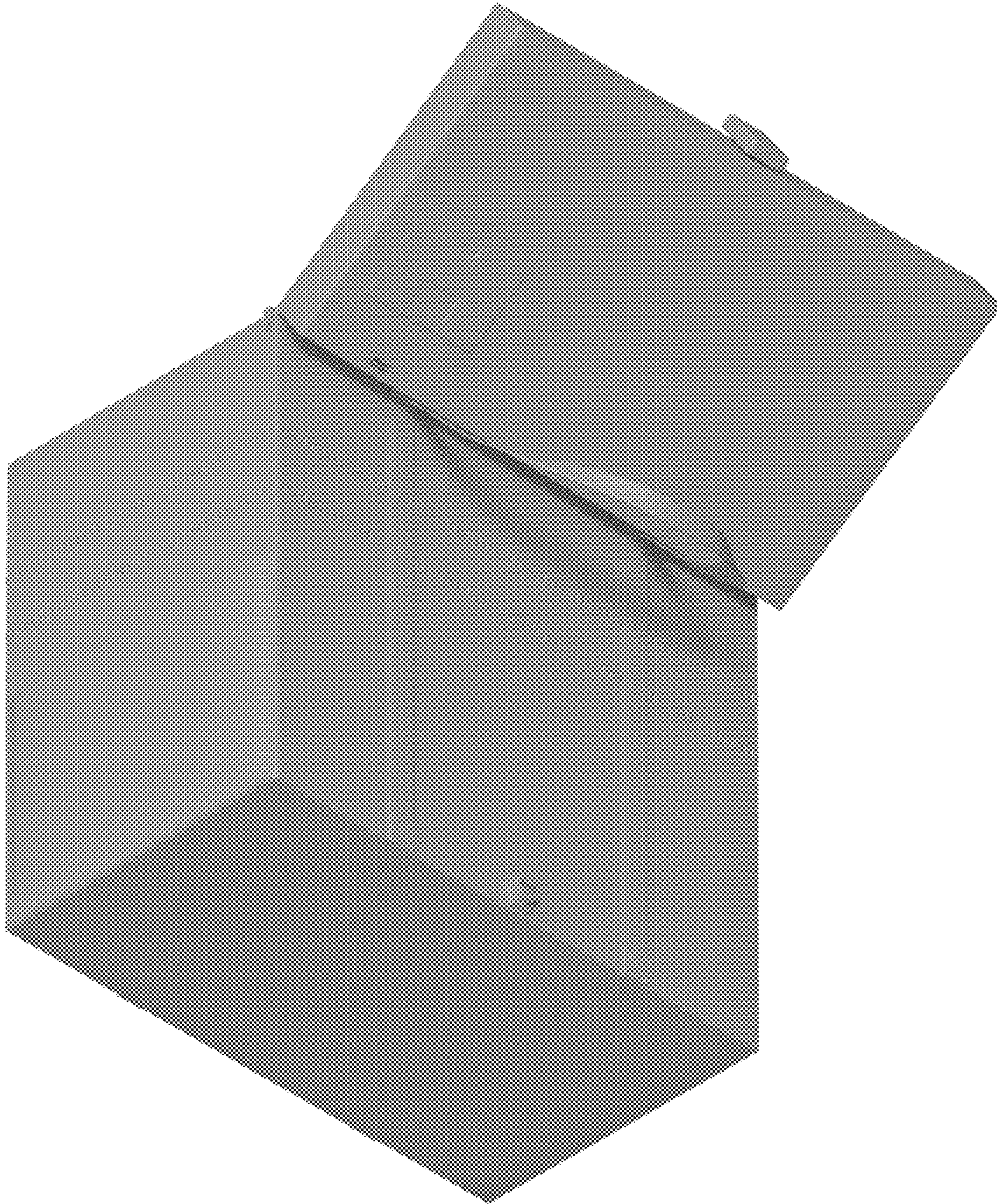


FIG. 14

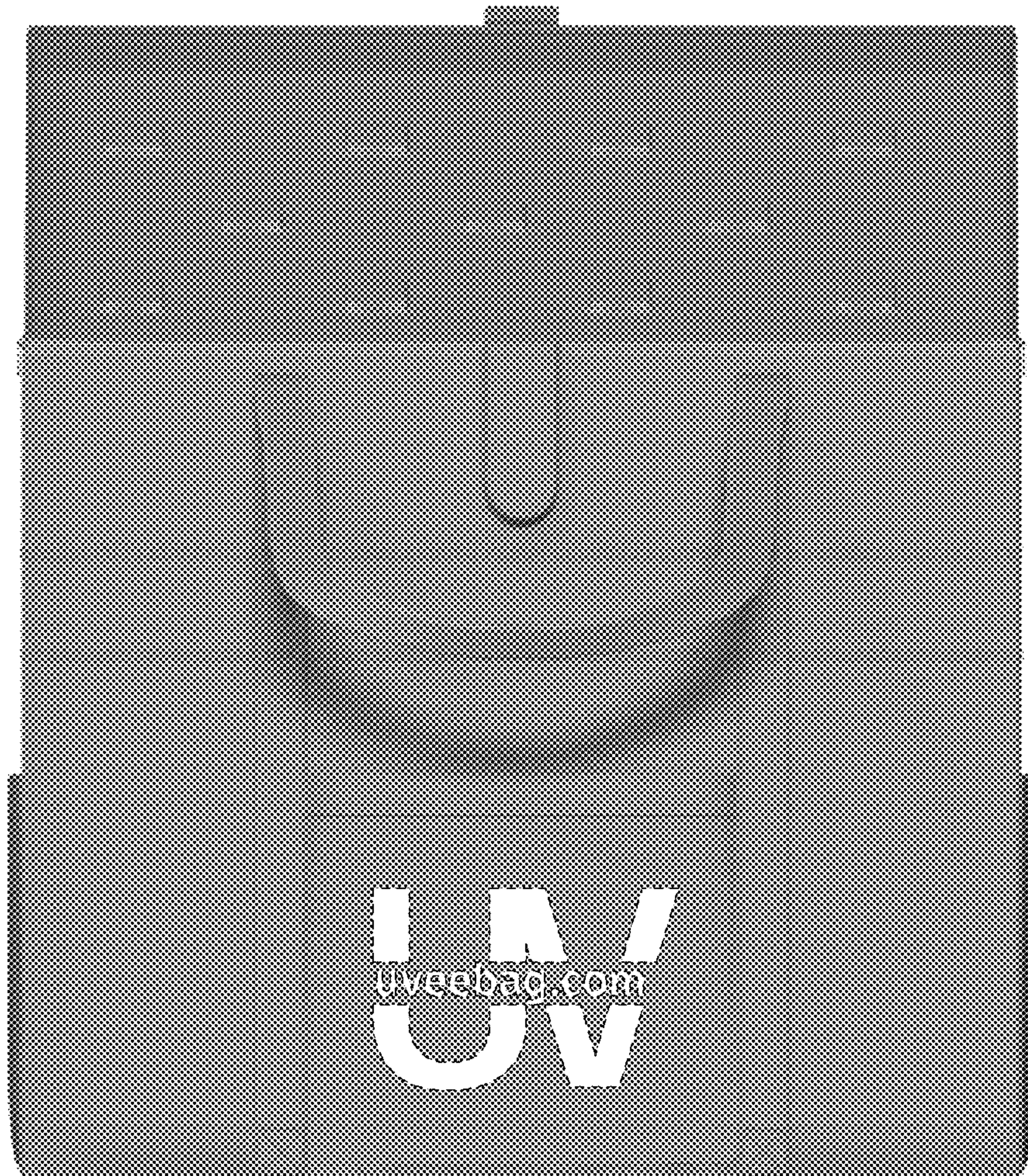


FIG. 15

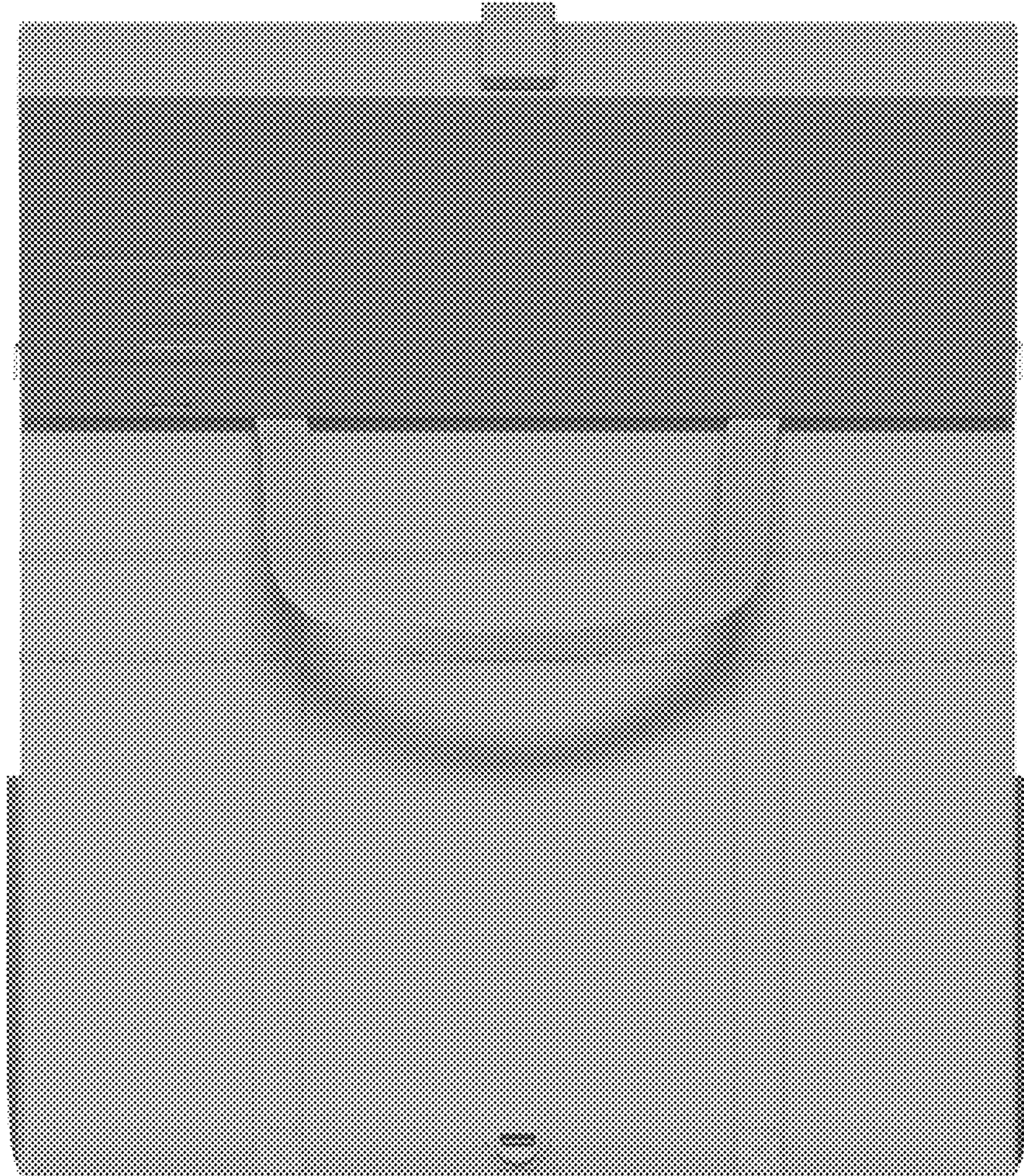


FIG. 16

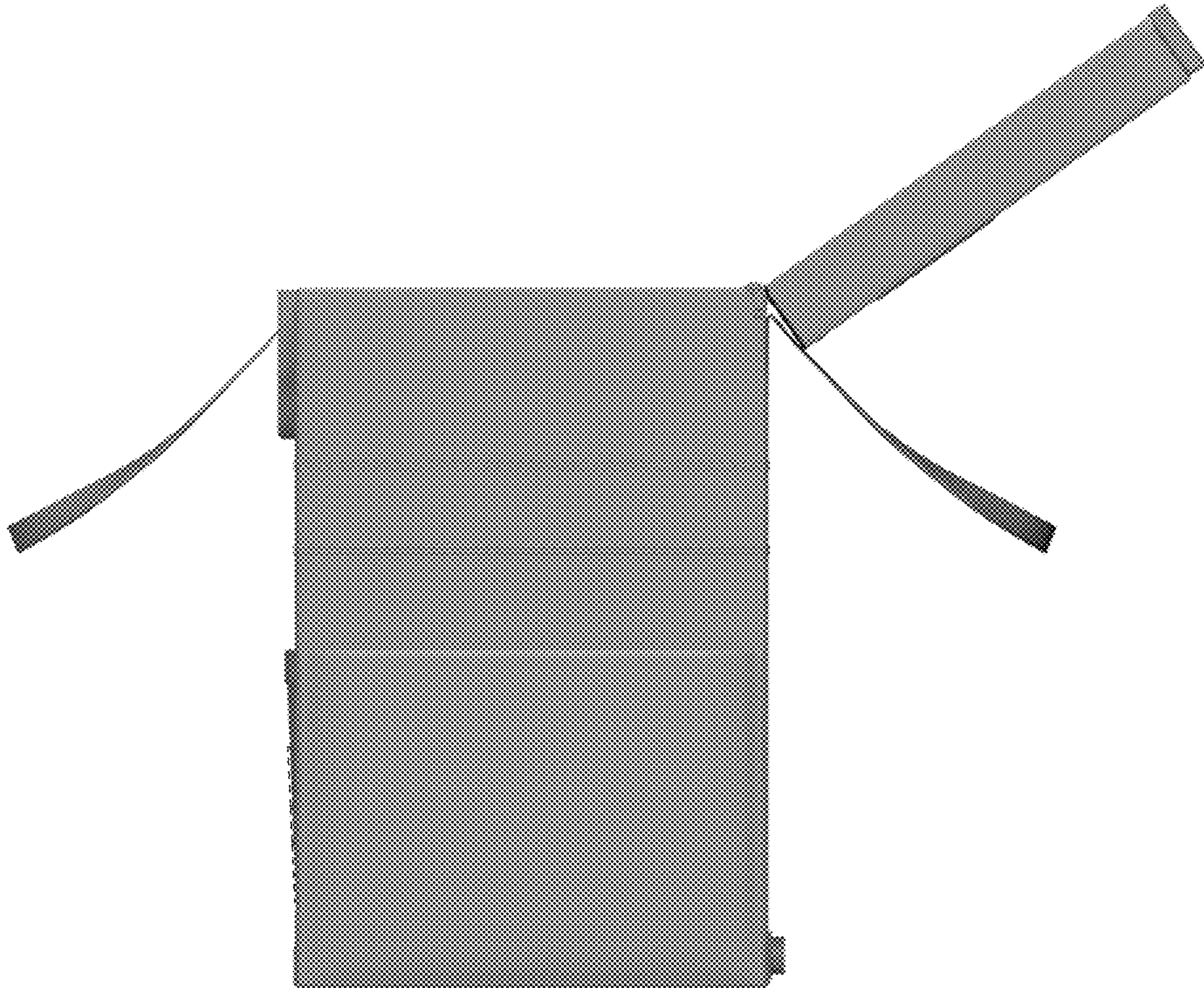


FIG. 17

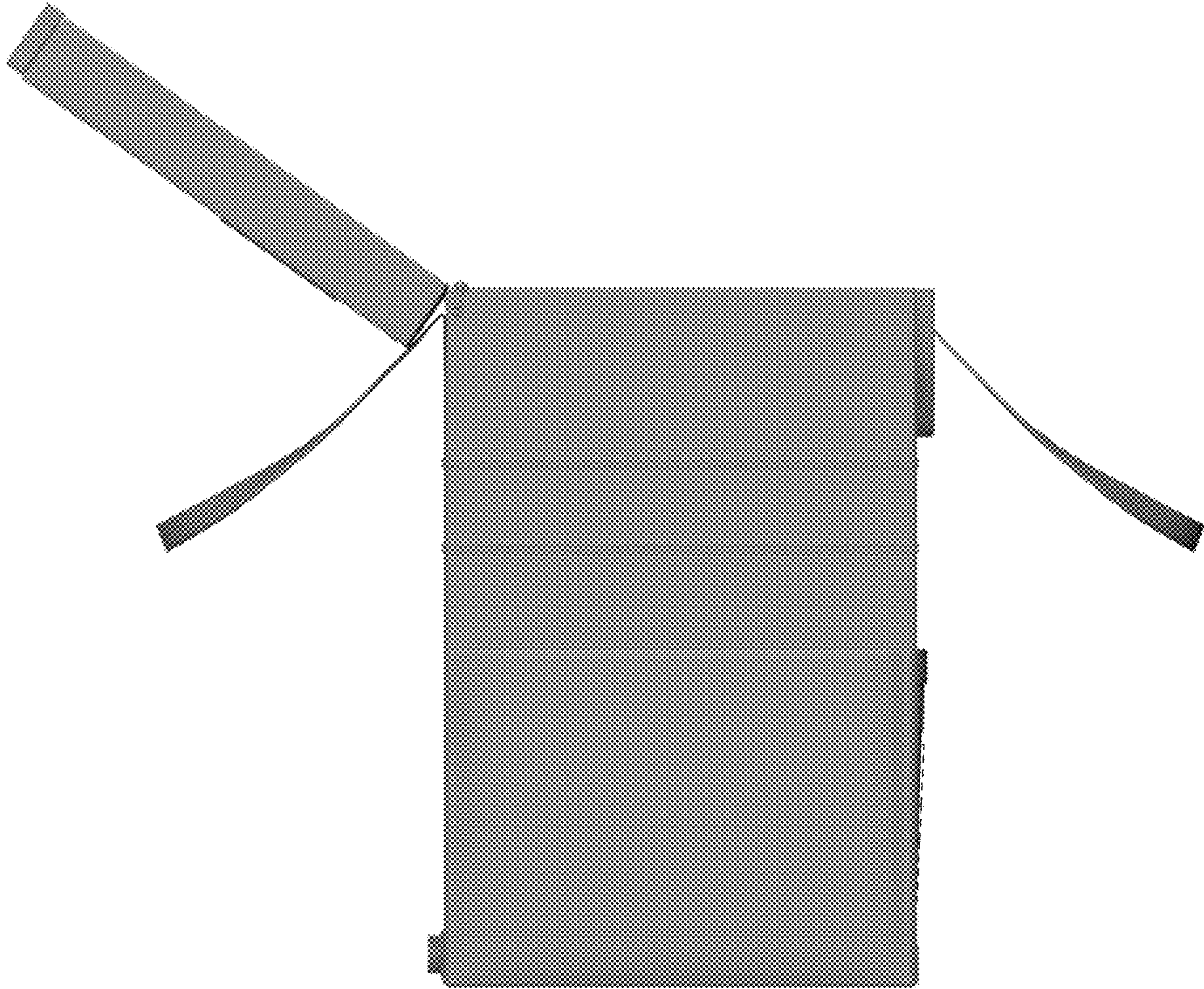


FIG. 18



FIG. 19



FIG. 20

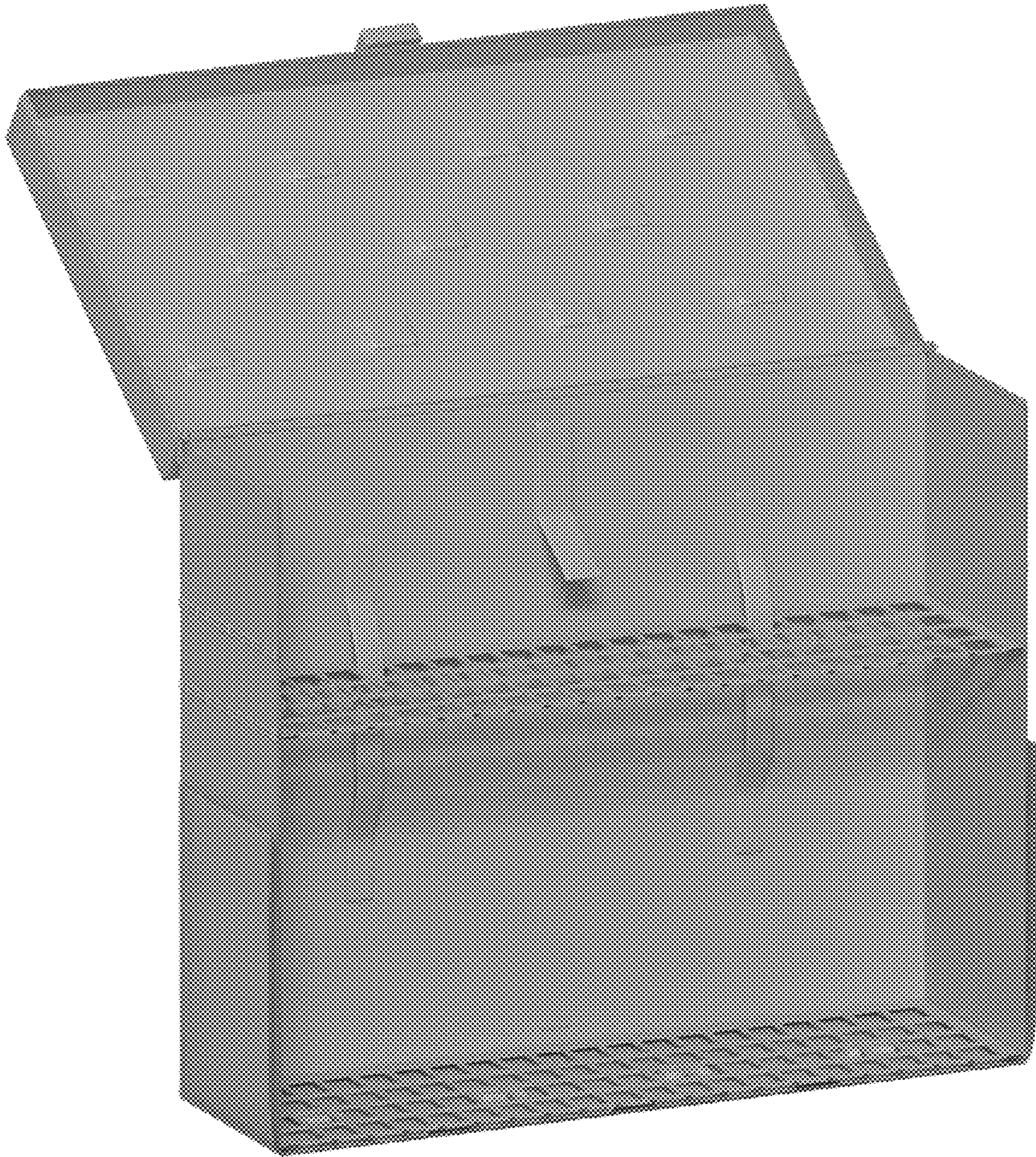


FIG. 21

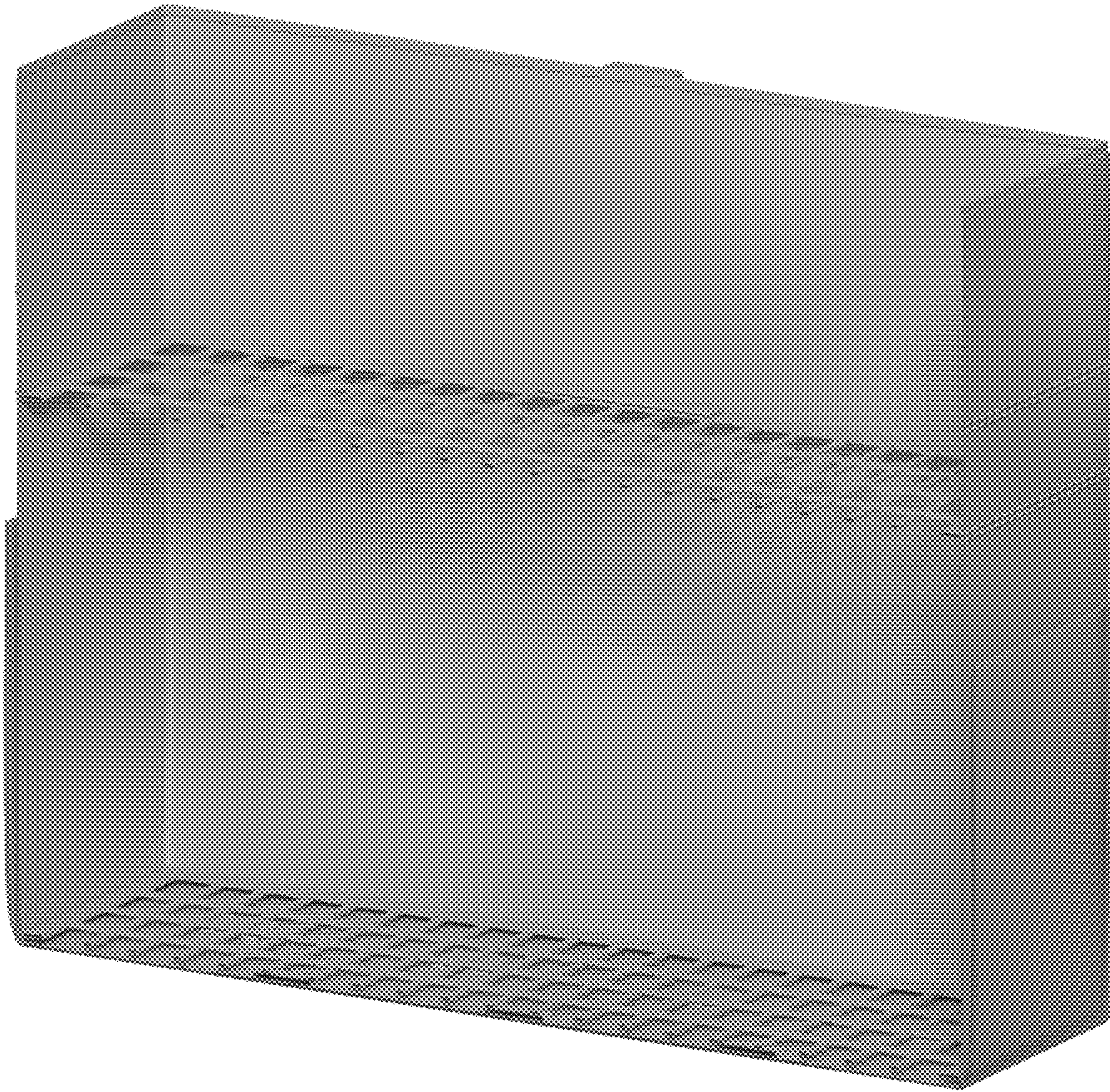


FIG. 22

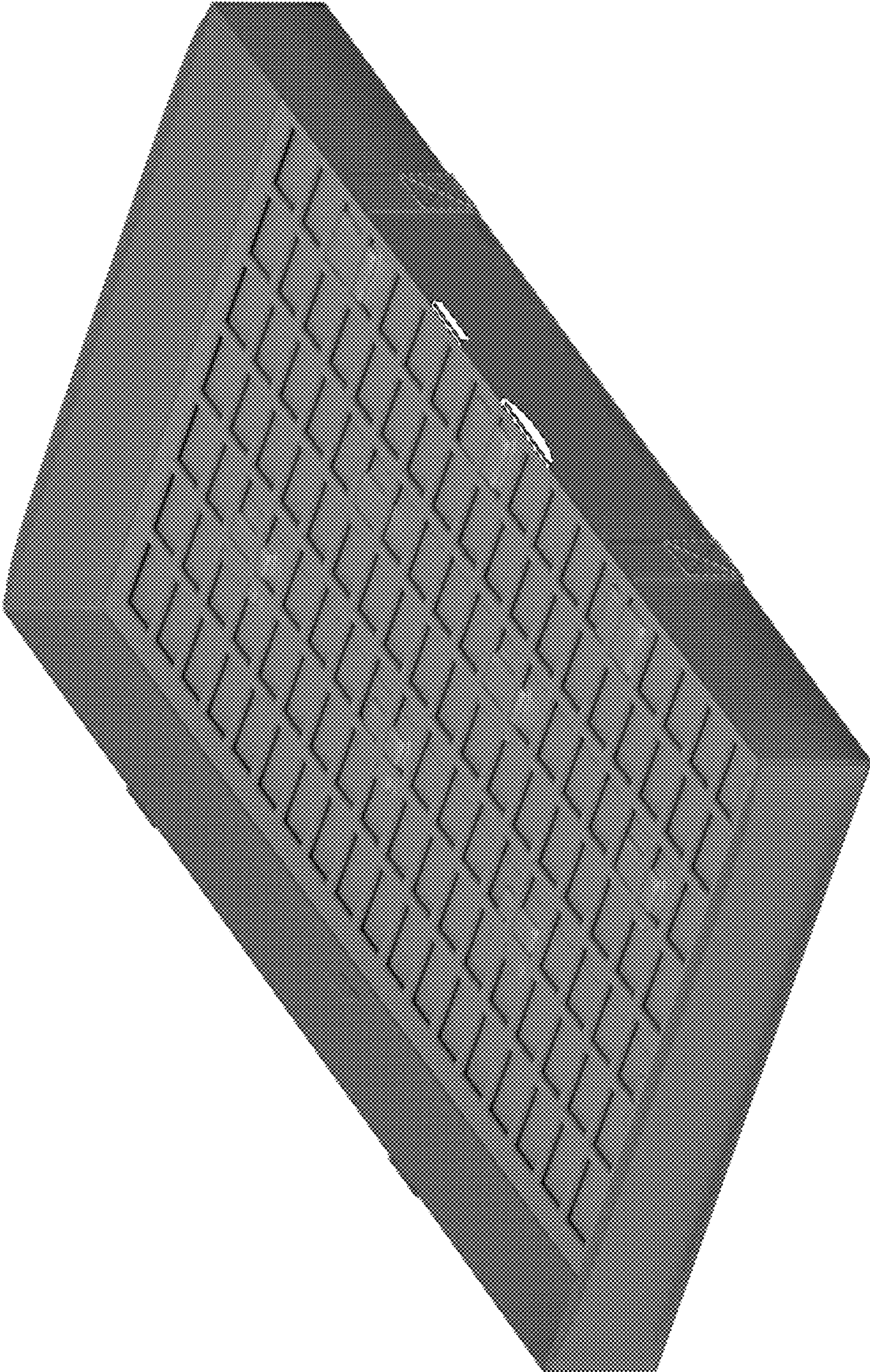


FIG. 23