



US0D1030942S

(12) **United States Design Patent** (10) **Patent No.:** **US D1,030,942 S**  
**Speeney** (45) **Date of Patent:** **\*\* Jun. 11, 2024**

(54) **SHOOTING TARGET STAND**

(71) Applicant: **Shooting Targets USA LLC**, King, NC (US)

(72) Inventor: **Michael J. Speeney**, King, NC (US)

(73) Assignee: **Shooting Targets USA LLC**, King, NC (US)

(\*\*) Term: **15 Years**

(21) Appl. No.: **29/843,913**

(22) Filed: **Jun. 24, 2022**

(51) **LOC (14) Cl.** ..... **22-04**

(52) **U.S. Cl.**  
USPC ..... **D22/113**

(58) **Field of Classification Search**  
USPC ..... D22/113; D21/302, 790  
(Continued)

(56) **References Cited**

U.S. PATENT DOCUMENTS

- D763,401 S \* 8/2016 Pixton ..... F41J 1/10  
D22/199
- D773,006 S \* 11/2016 Stark ..... D22/113  
(Continued)

*Primary Examiner* — Michael A. Pratt

(74) *Attorney, Agent, or Firm* — Martin & Associates, LLC; Derek P. Martin

(57) **CLAIM**

The ornamental design for a shooting target stand, as shown and described.

**DESCRIPTION**

FIG. 1 is an exploded perspective view of a shooting target stand showing the new design;

FIG. 2 is a perspective view thereof with the middle piece installed in the rear-most position of the side pieces;

FIG. 3 is a perspective view thereof with the middle piece installed in the next-to-the-rear-most position of the side pieces;

FIG. 4 is a perspective view thereof with the middle piece installed in the middle position of the side pieces;

FIG. 5 is a perspective view thereof with the middle piece installed in the next-to-the-front-most position of the side pieces;

FIG. 6 is a perspective view thereof with the middle piece installed in the front-most position of the side pieces;

FIG. 7 is a front view thereof with the middle piece in the middle position of the side pieces;

FIG. 8 is a back view thereof with the middle piece in the middle position of the side pieces;

FIG. 9 is a top view thereof with the middle piece in the middle position of the side pieces;

FIG. 10 is a bottom view thereof with the middle piece in the middle position of the side pieces;

FIG. 11 is a left side view thereof with the middle piece in the middle position of the side pieces;

FIG. 12 is a right side view thereof with the middle piece in the middle position of the side pieces;

FIG. 13 is a perspective view thereof with the middle piece in the middle position of the side pieces, where the shooting target stand is shown holding a torso target;

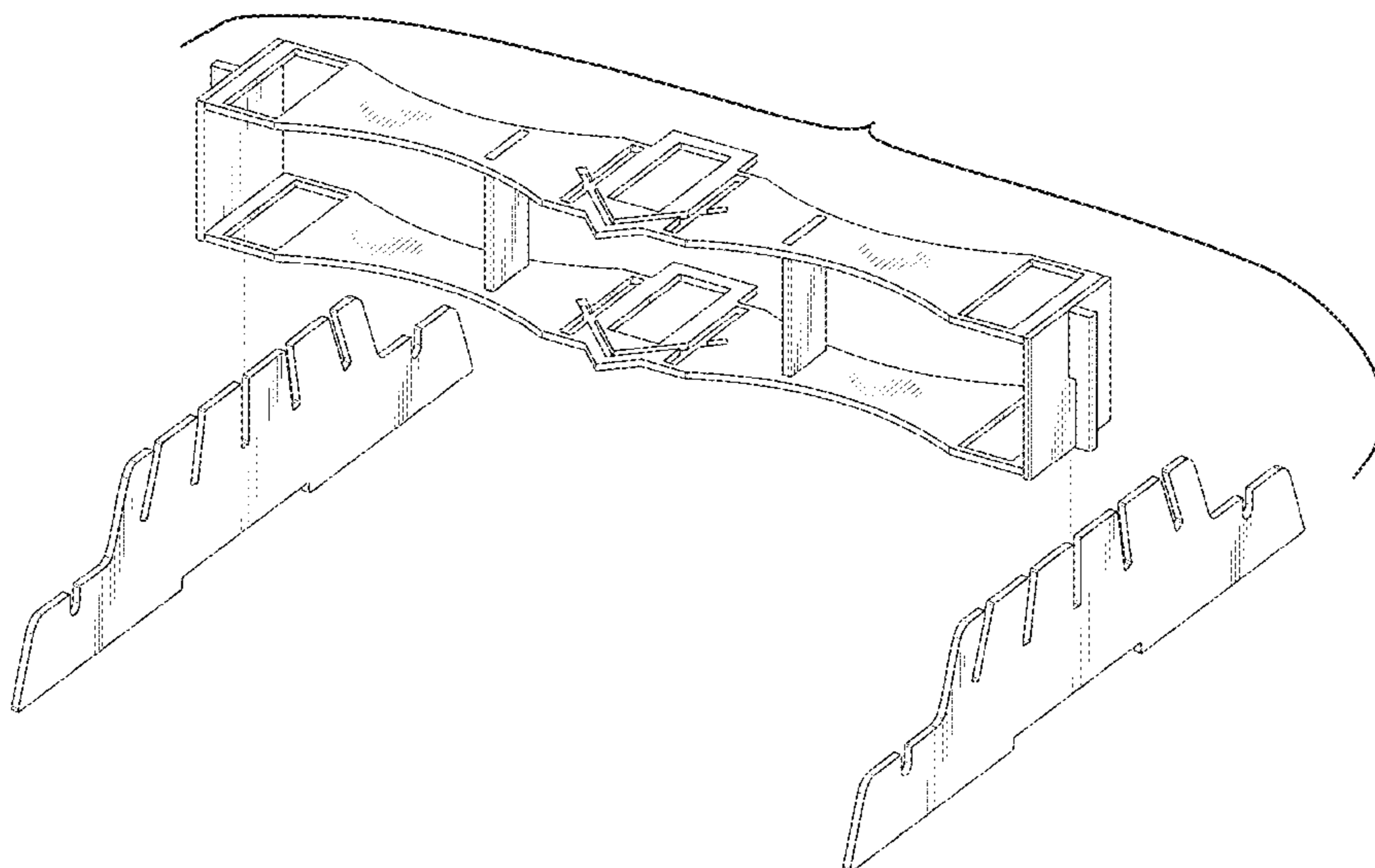
FIG. 14 is a perspective view thereof with the middle piece in the middle position of the side pieces, where the shooting target stand is shown holding two boards to which a paper target is stapled;

FIG. 15 is a perspective view thereof with the middle piece in the middle position of the side pieces, where the shooting target stand is shown holding a dueling tree; and,

FIG. 16 is a perspective view thereof with the middle piece in the middle position of the side pieces, where the shooting target stand is shown holding three boards to which individual targets are attached.

The portions shown in broken lines are not part of the claimed design.

**1 Claim, 14 Drawing Sheets**



(58) **Field of Classification Search**

CPC ..... F41J 1/10; F41J 5/14; F41J 1/00; F41J  
3/0004

See application file for complete search history.

(56) **References Cited**

U.S. PATENT DOCUMENTS

D847,936 S *	5/2019	Tension .....	D22/113
D896,916 S *	9/2020	Temple .....	D22/113
D923,134 S *	6/2021	Wu .....	D22/113
2014/0252719 A1 *	9/2014	Johnson .....	F41J 1/10 273/407
2015/0292842 A1 *	10/2015	Pixton .....	F41J 1/10 273/407

\* cited by examiner

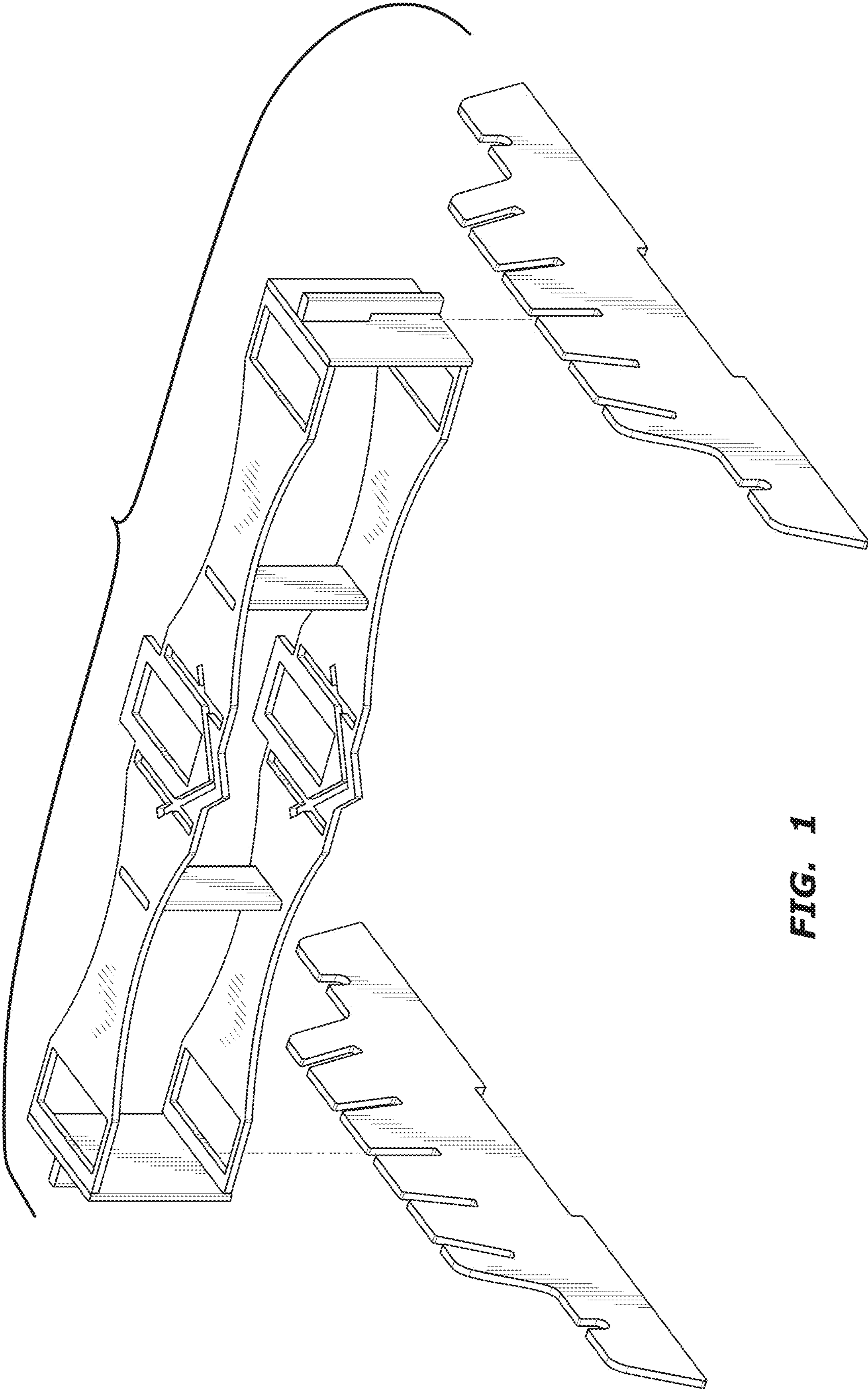


FIG. 1

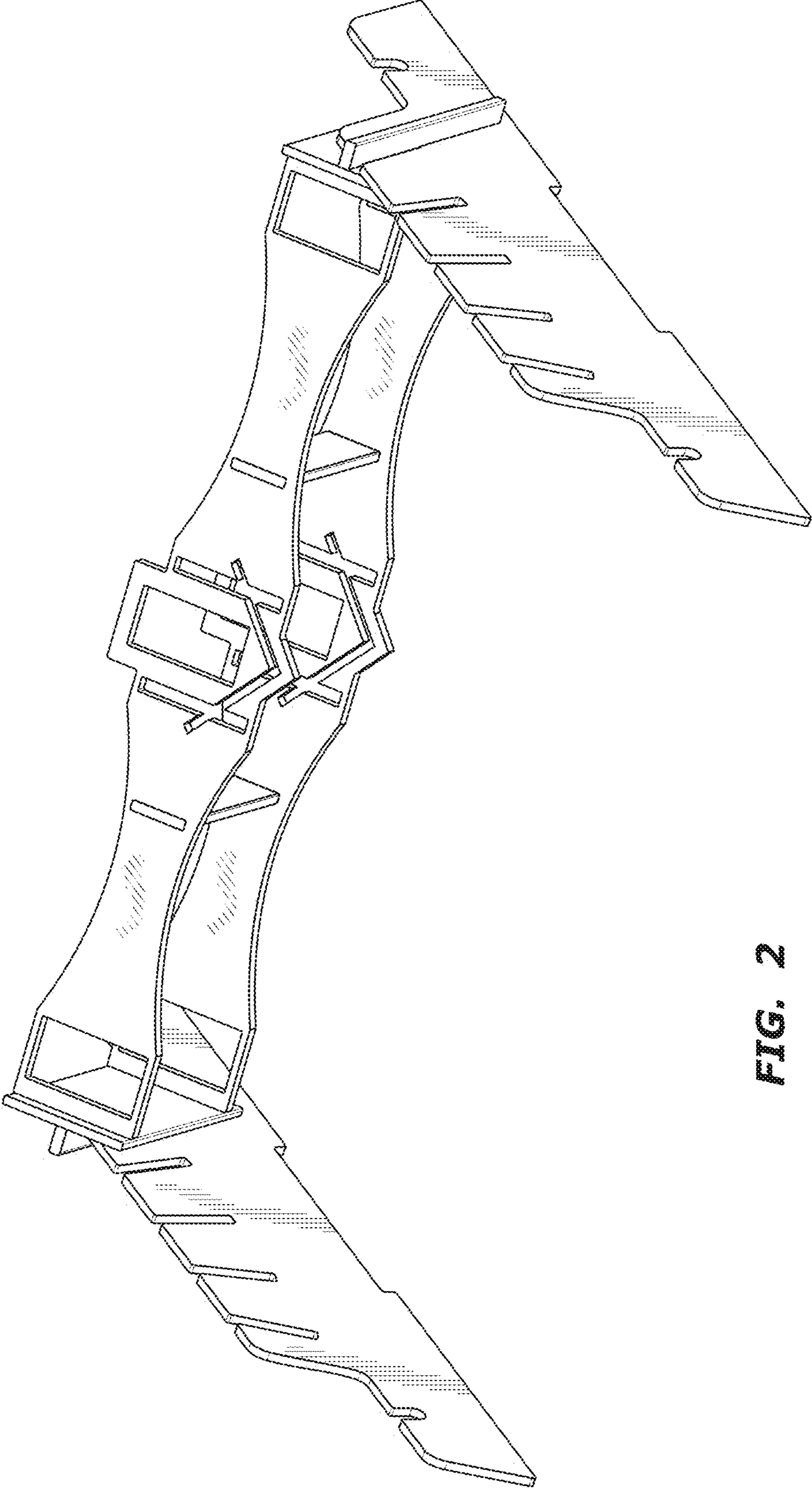


FIG. 2

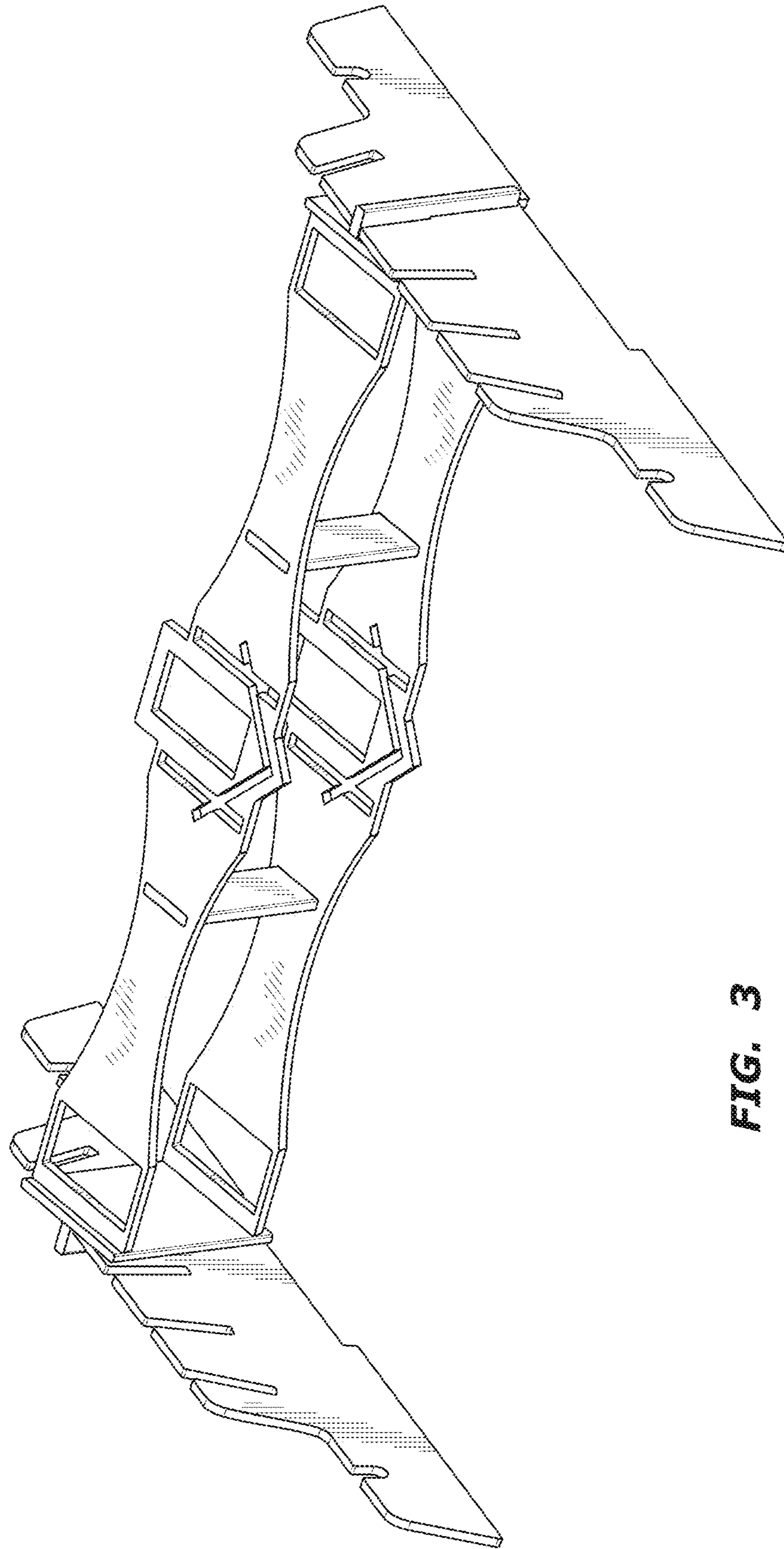


FIG. 3

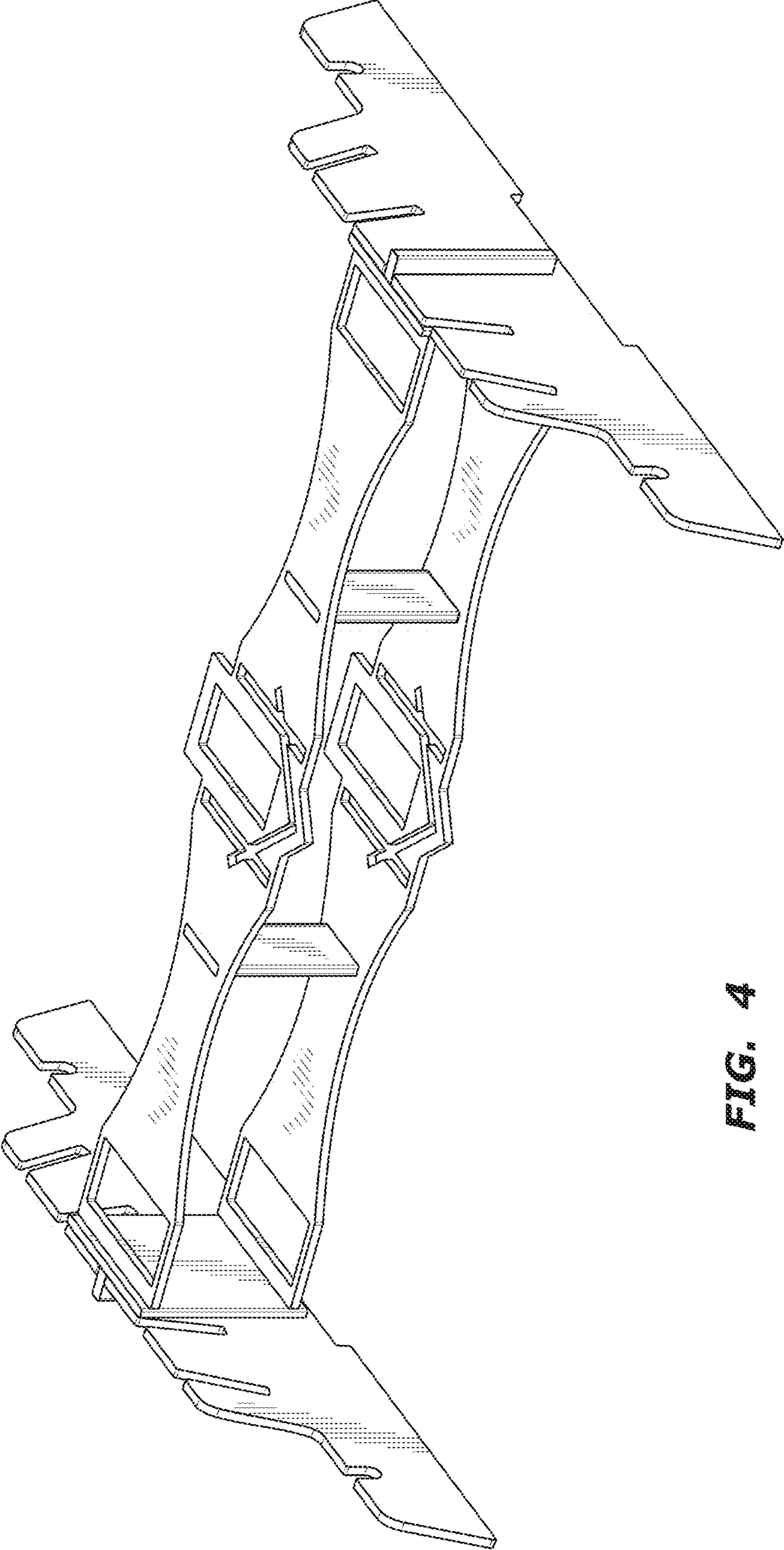


FIG. 4

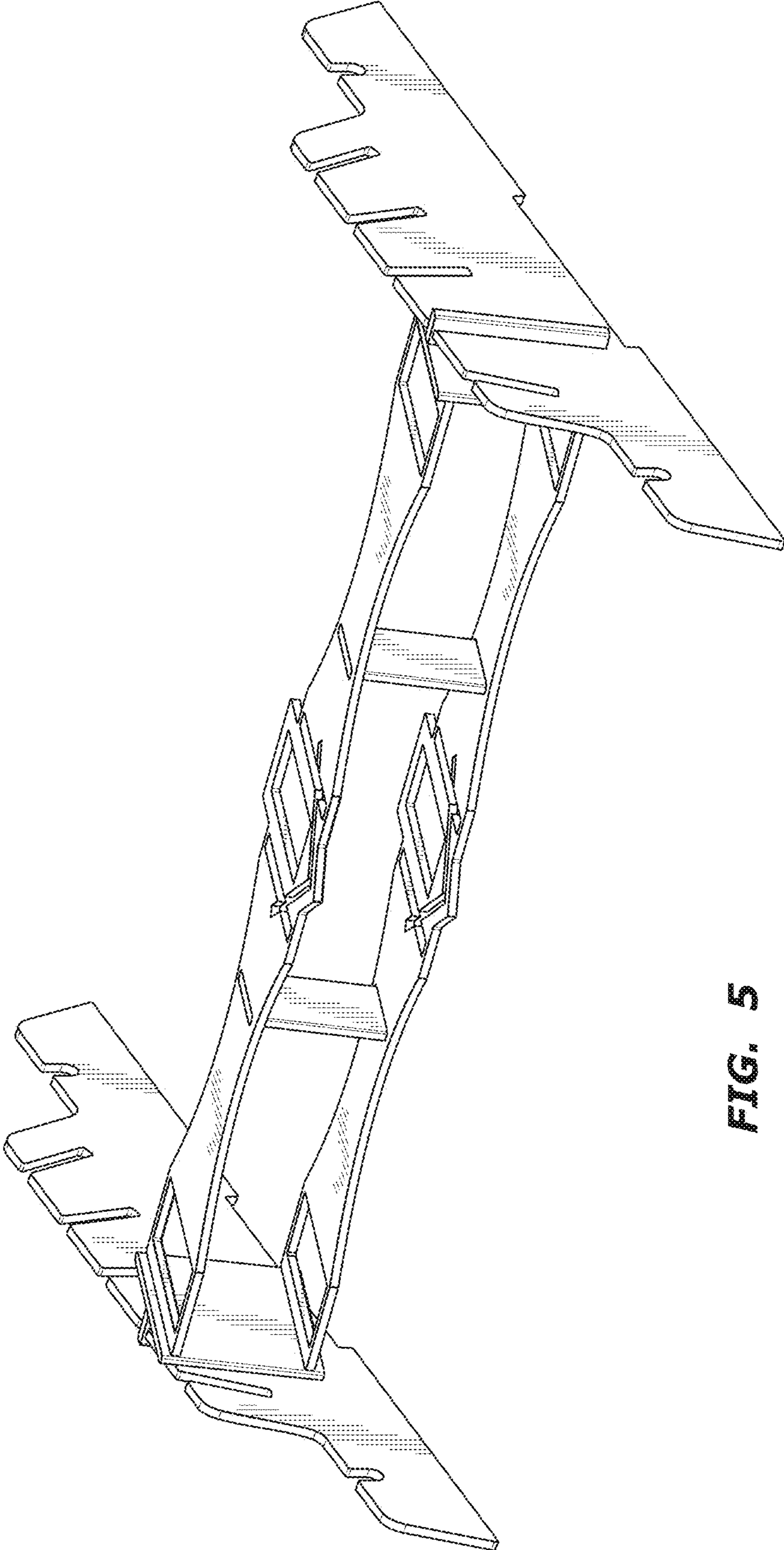


FIG. 5

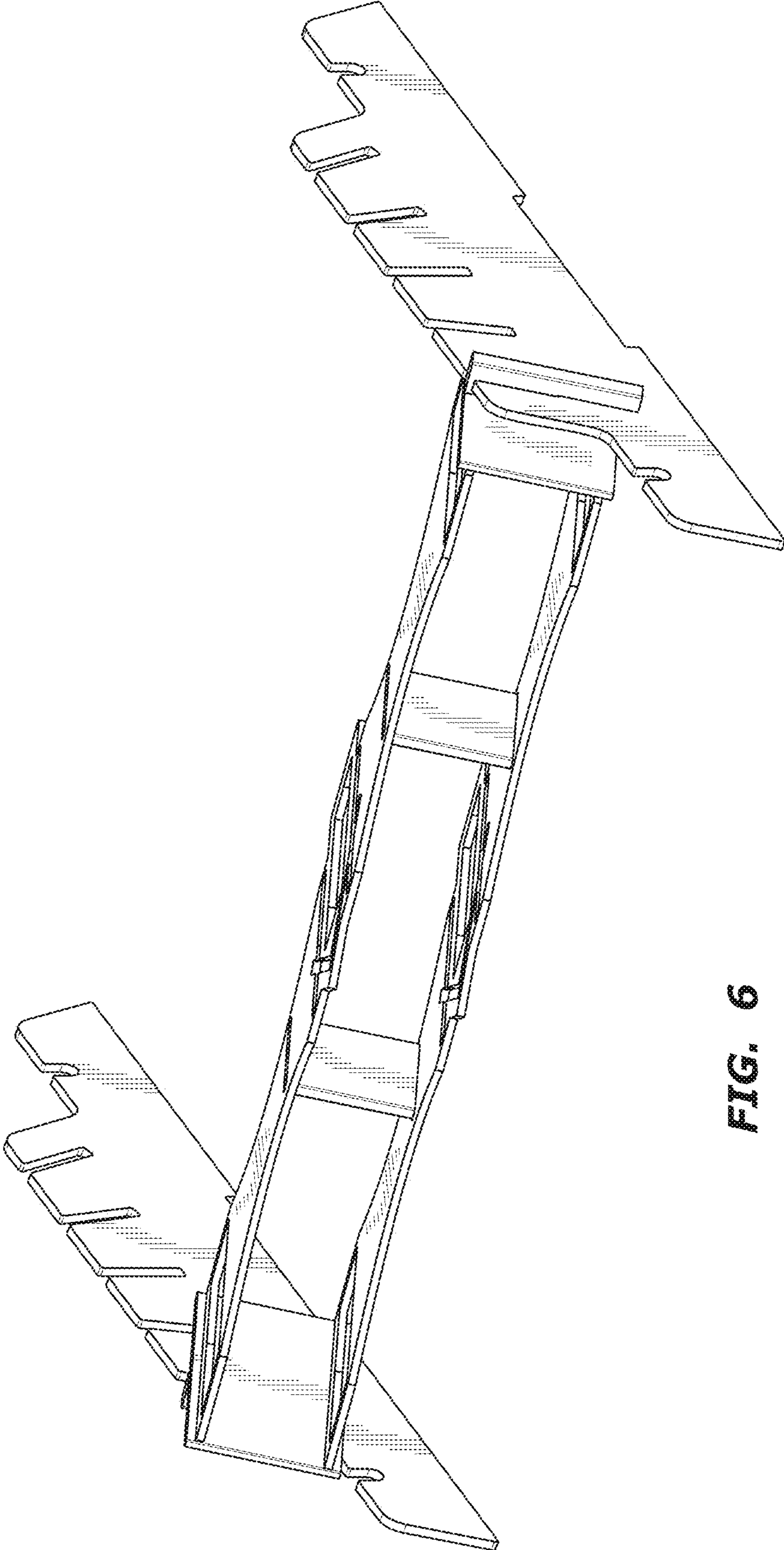
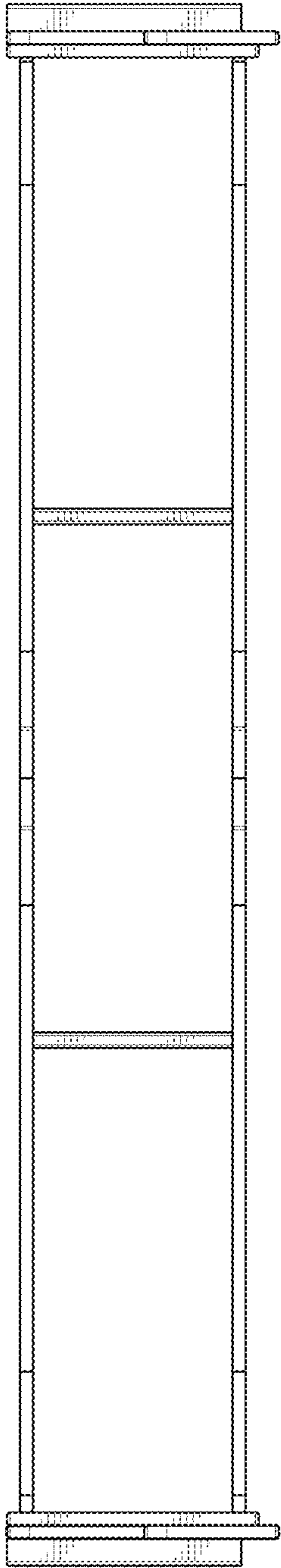
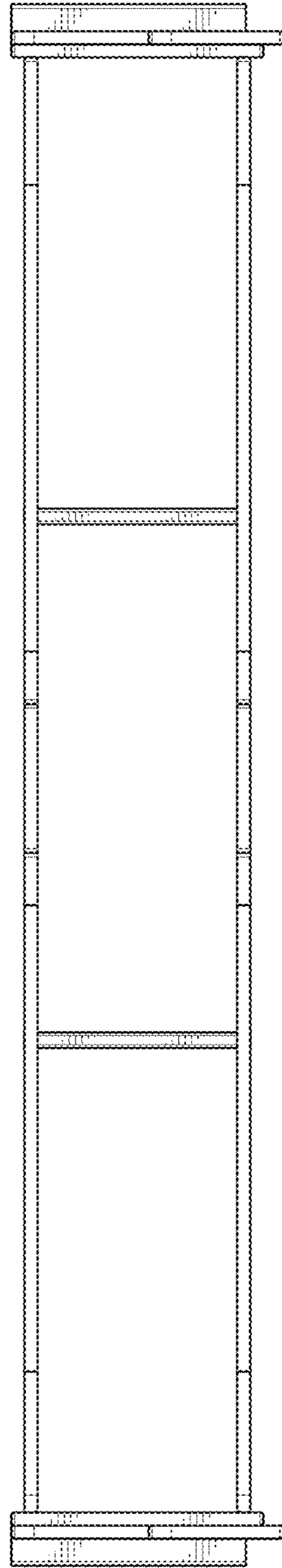


FIG. 6





**FIG. 7**



**FIG. 8**

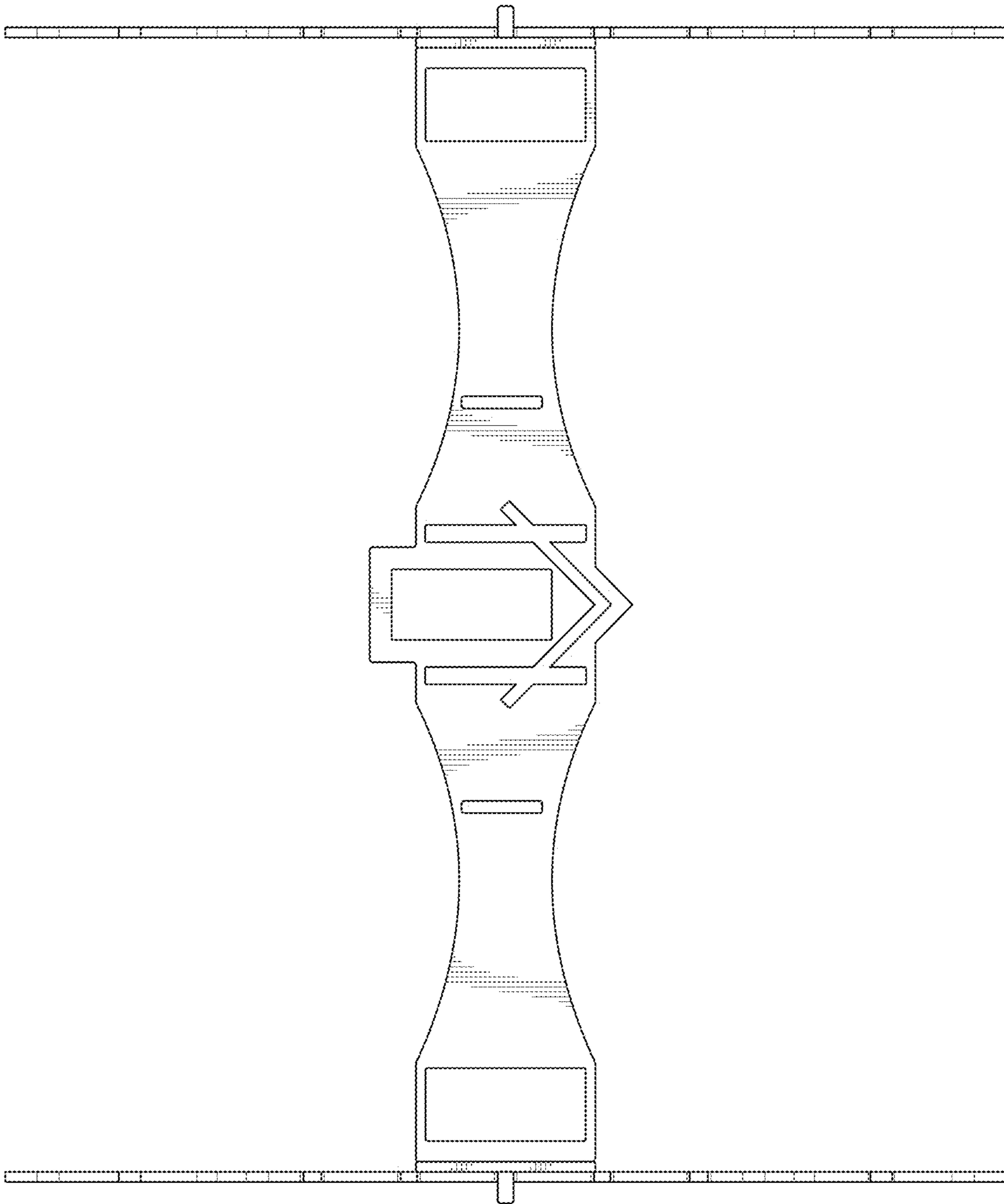


FIG. 9

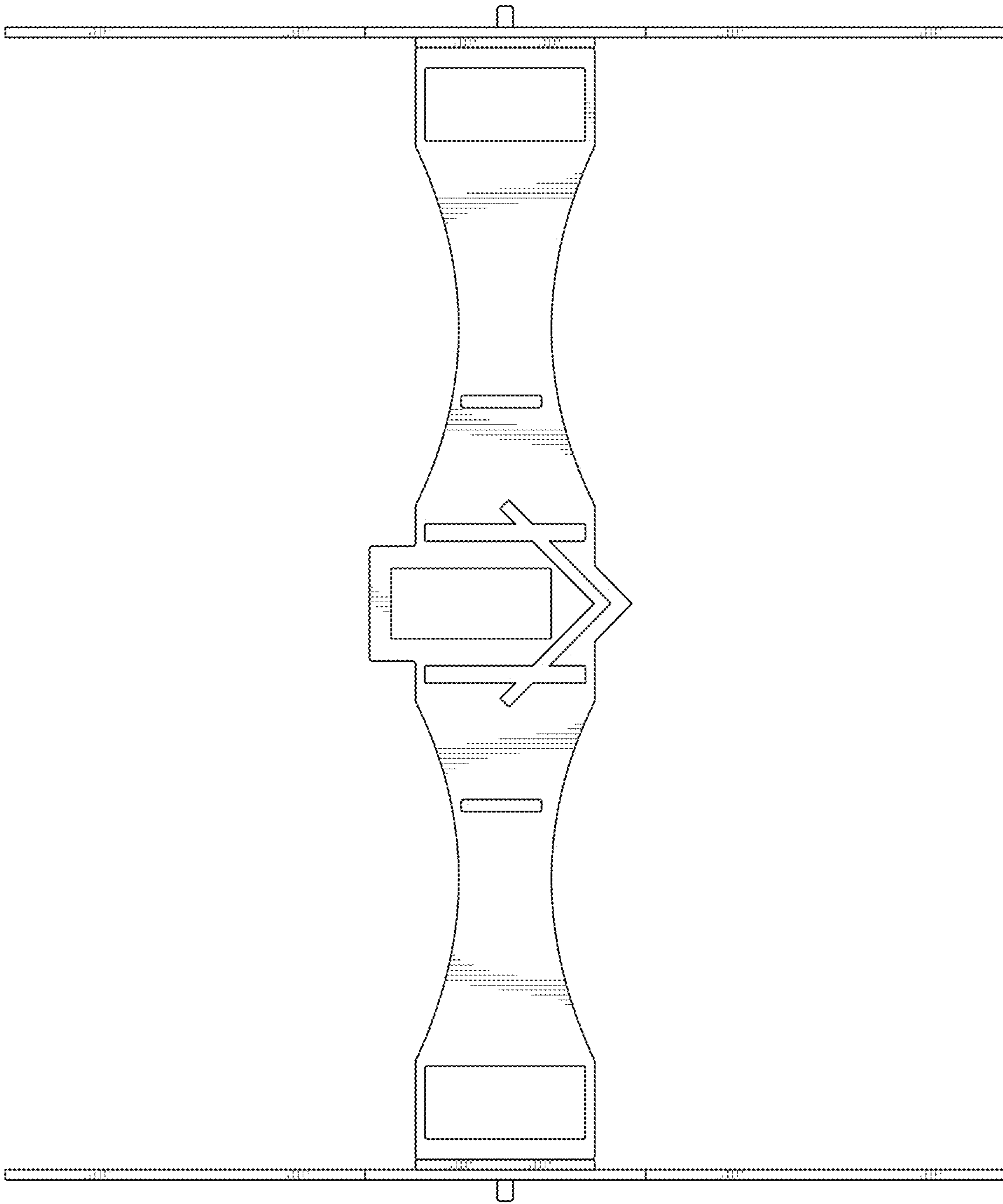
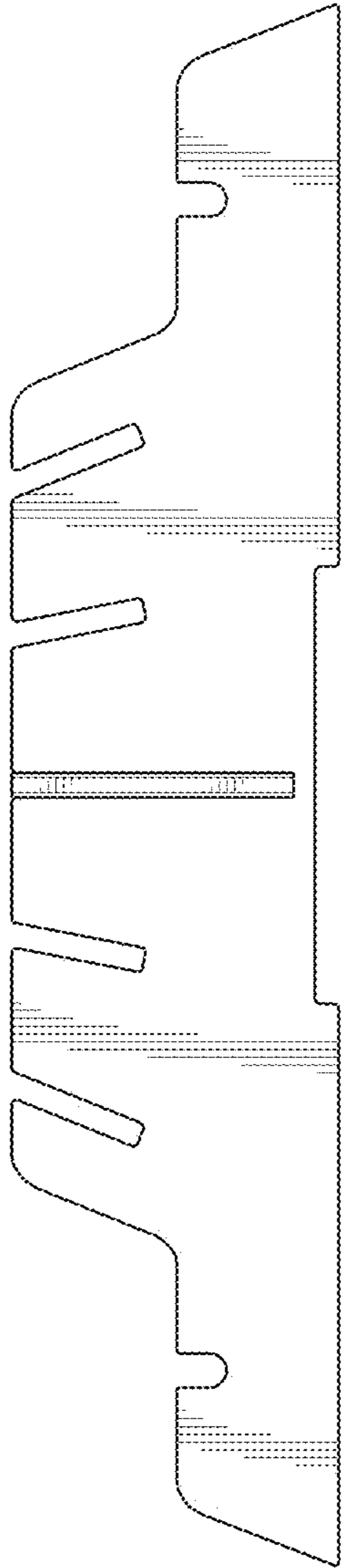
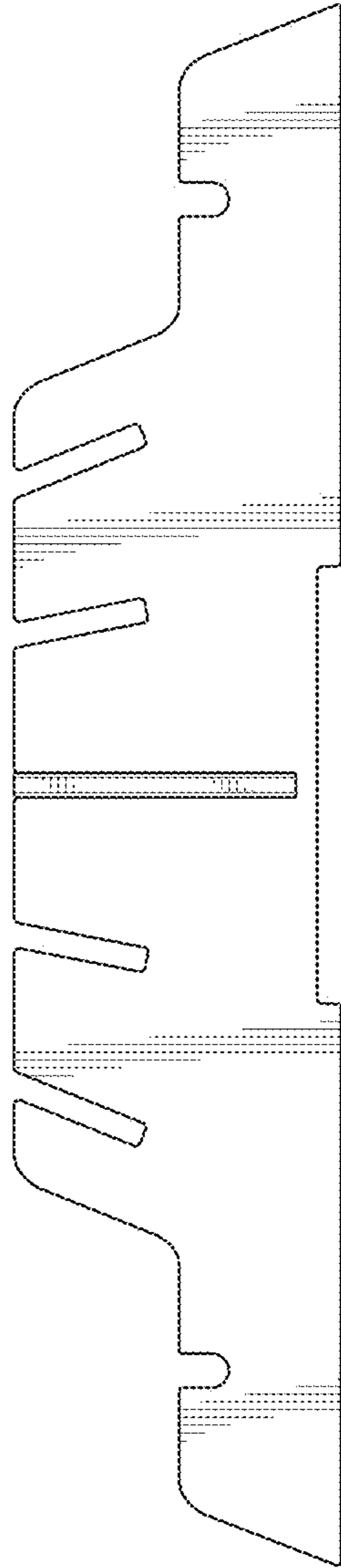


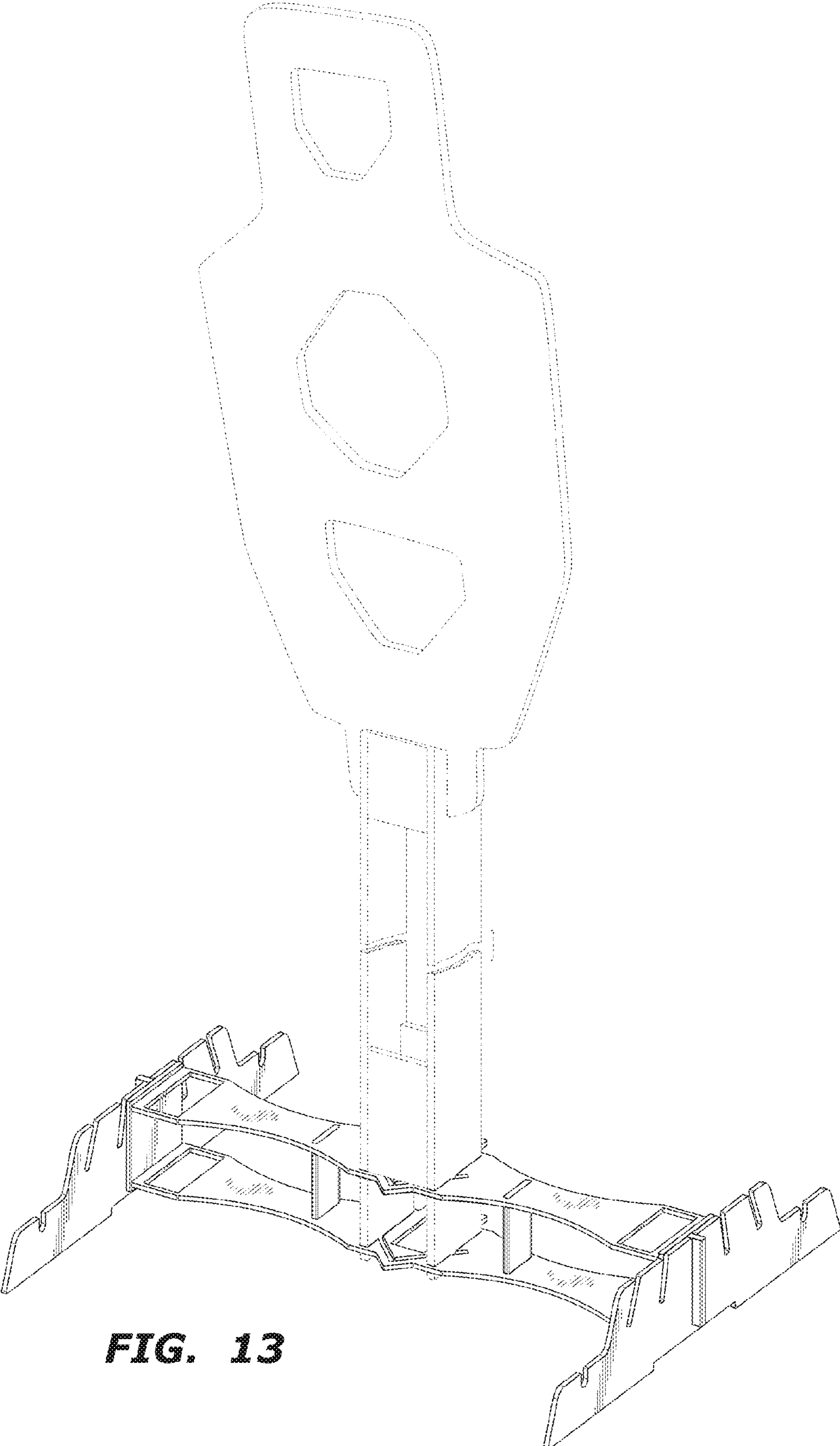
FIG. 10



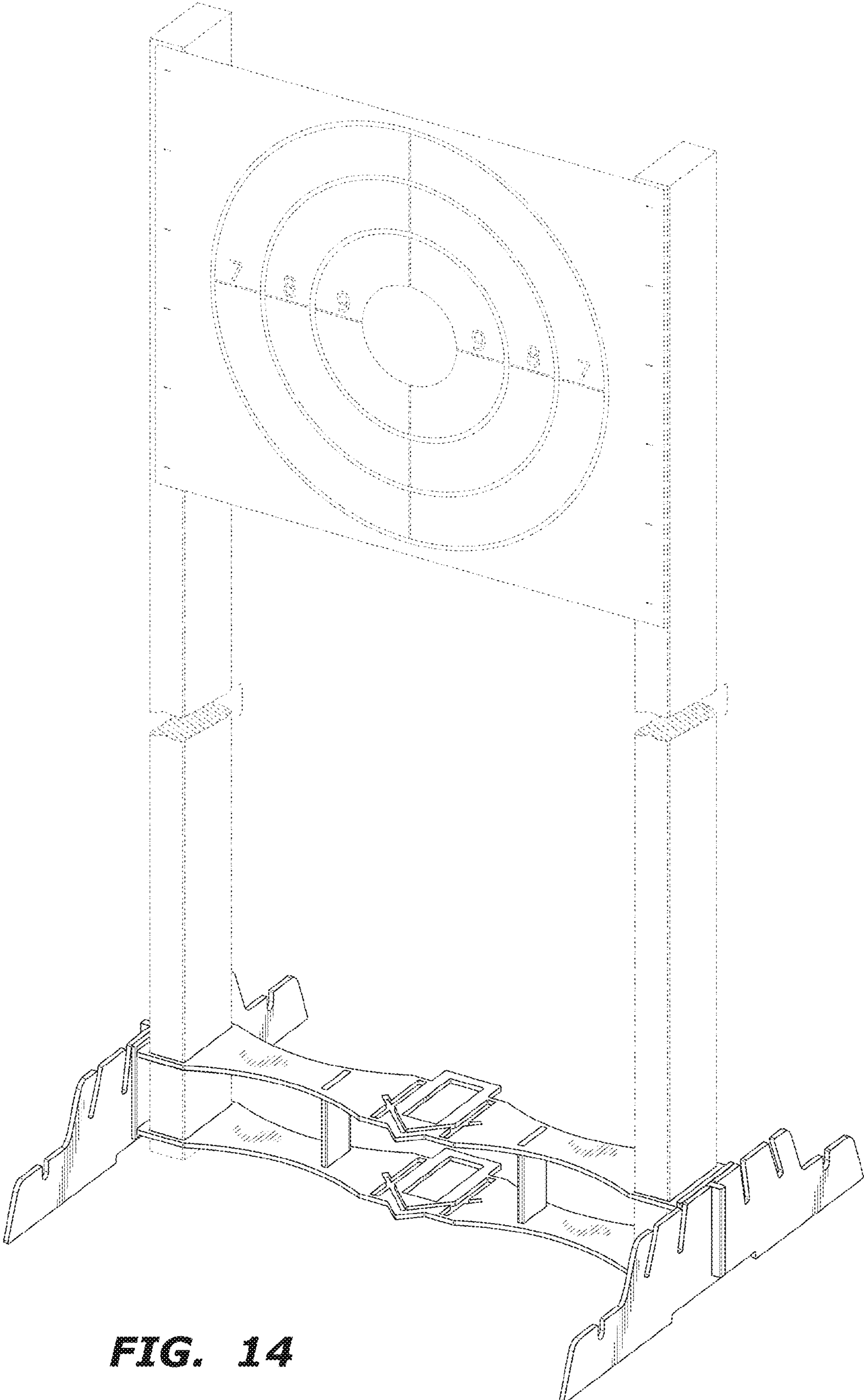
**FIG. 11**



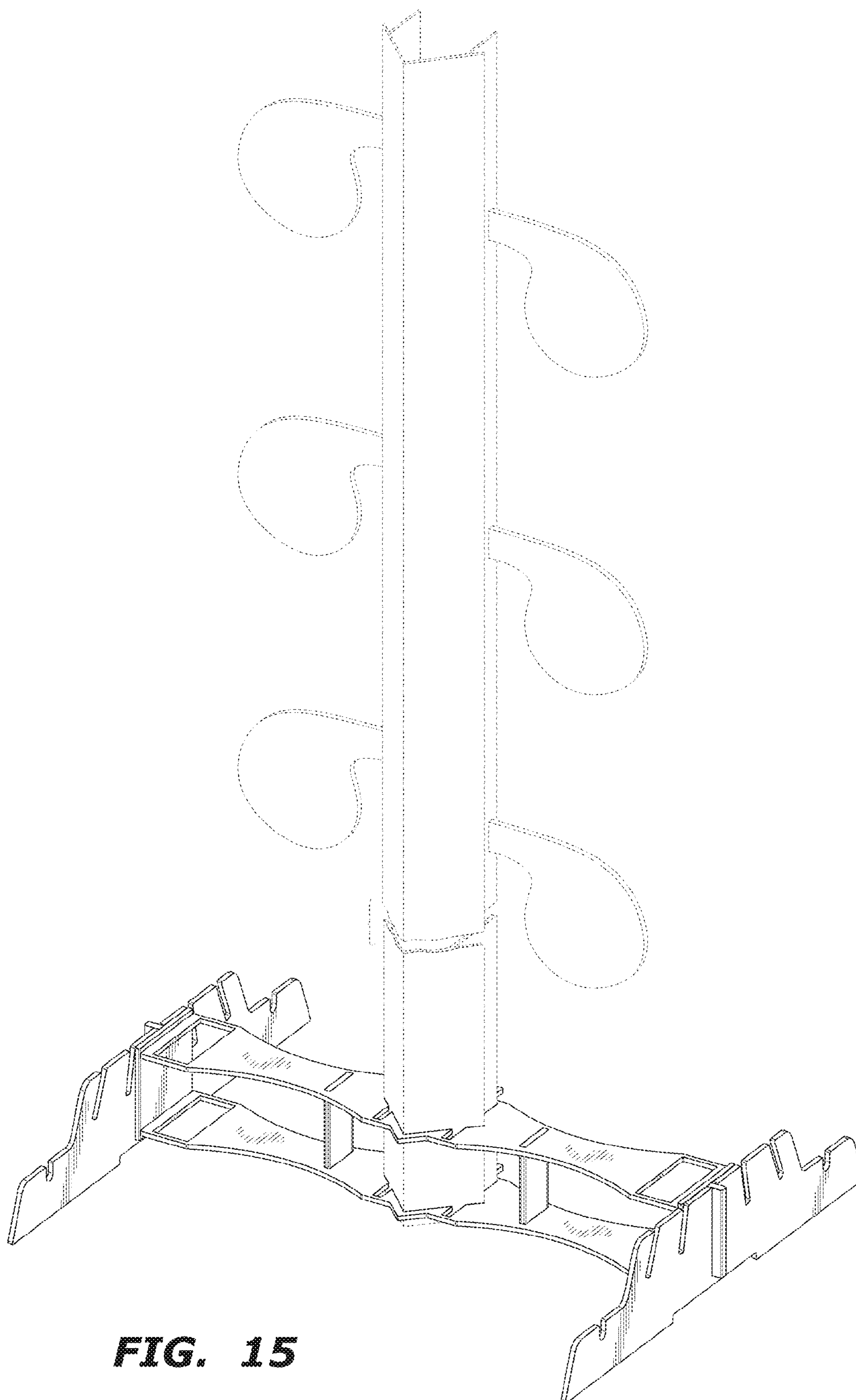
**FIG. 12**



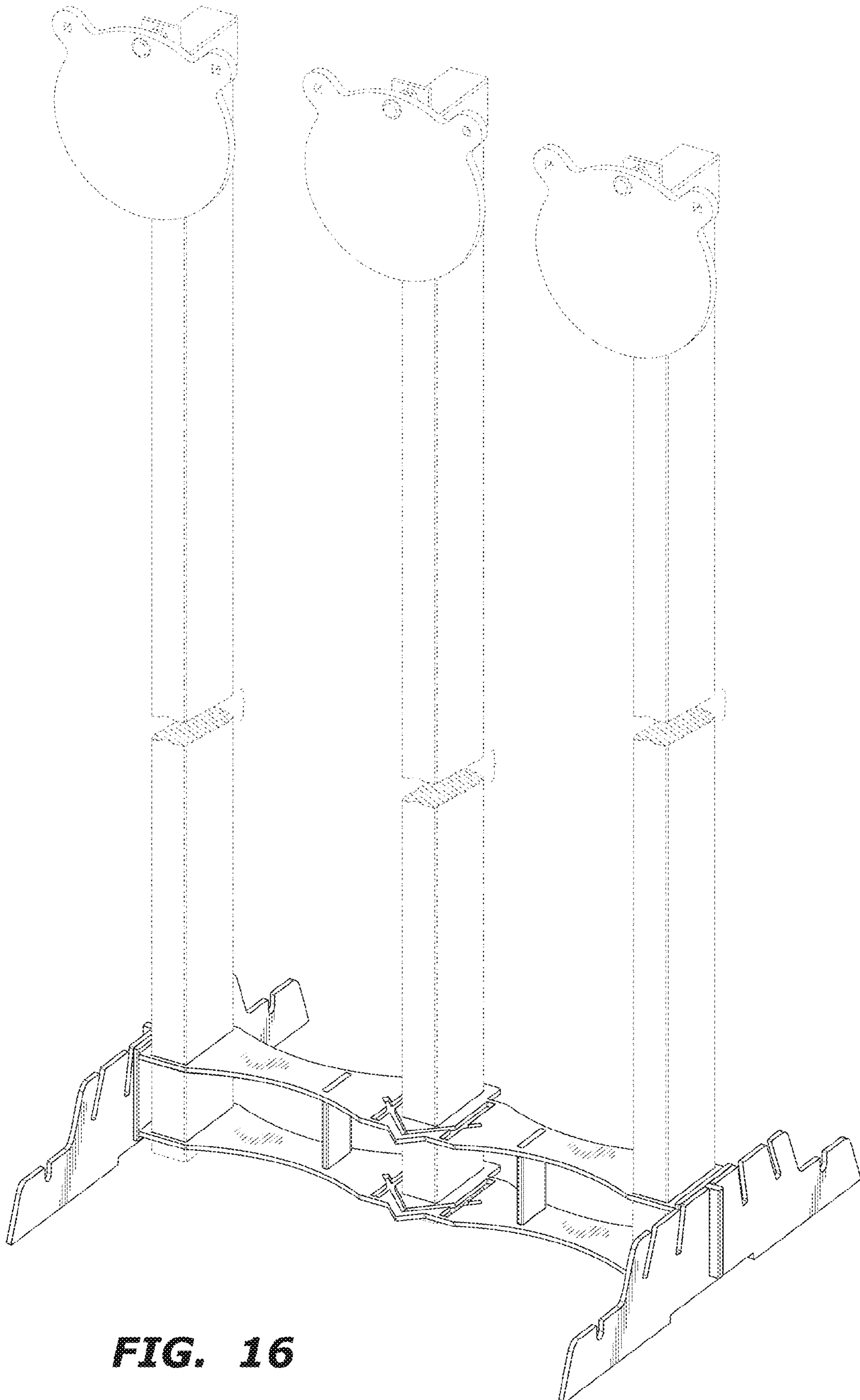
**FIG. 13**



**FIG. 14**



**FIG. 15**



**FIG. 16**