



US0D1030901S

(12) **United States Design Patent**
Chen

(10) **Patent No.:** **US D1,030,901 S**

(45) **Date of Patent:** **** Jun. 11, 2024**

- (54) **TOY**
- (71) Applicant: **Wanting Chen, Zhuhai (CN)**
- (72) Inventor: **Wanting Chen, Zhuhai (CN)**
- (**) Term: **15 Years**
- (21) Appl. No.: **29/919,405**
- (22) Filed: **Dec. 4, 2023**
- (51) **LOC (14) Cl.** **21-01**
- (52) **U.S. Cl.**
USPC **D21/398**
- (58) **Field of Classification Search**
USPC D21/386, 389, 392, 398, 426, 475;
D9/294, 423, 425, 426, 432; D19/20, 21,
D19/24, 136
CPC A63F 1/04; A63F 13/20; A63F 3/0423
See application file for complete search history.

10,463,951	B1 *	11/2019	Su	A63F 9/0073
D897,449	S *	9/2020	Xu	D21/392
D960,991	S *	8/2022	Rees	D21/335
D965,073	S	9/2022	Liu		
D982,321	S *	4/2023	Xiong	D21/392
D985,675	S *	5/2023	Xiong	D21/392
D995,649	S *	8/2023	Liu	D19/59
D998,714	S *	9/2023	Jiang	D21/398
D999,284	S *	9/2023	Peeters	D21/341
D999,291	S *	9/2023	Erickson	D21/475
D1,000,729	S *	10/2023	Wu	D30/160

* cited by examiner

Primary Examiner — Mehri F Bajoul

(74) *Attorney, Agent, or Firm* — Philip Oweimrin

(57) **CLAIM**

The ornamental design for a toy, as shown and described.

DESCRIPTION

FIG. 1 is a top perspective view of a toy, showing my new design;
 FIG. 2 is a bottom perspective view thereof;
 FIG. 3 is a front view thereof;
 FIG. 4 is a rear view thereof;
 FIG. 5 is a left side view thereof;
 FIG. 6 is a right side view thereof;
 FIG. 7 is a top view thereof; and,
 FIG. 8 is a bottom view.

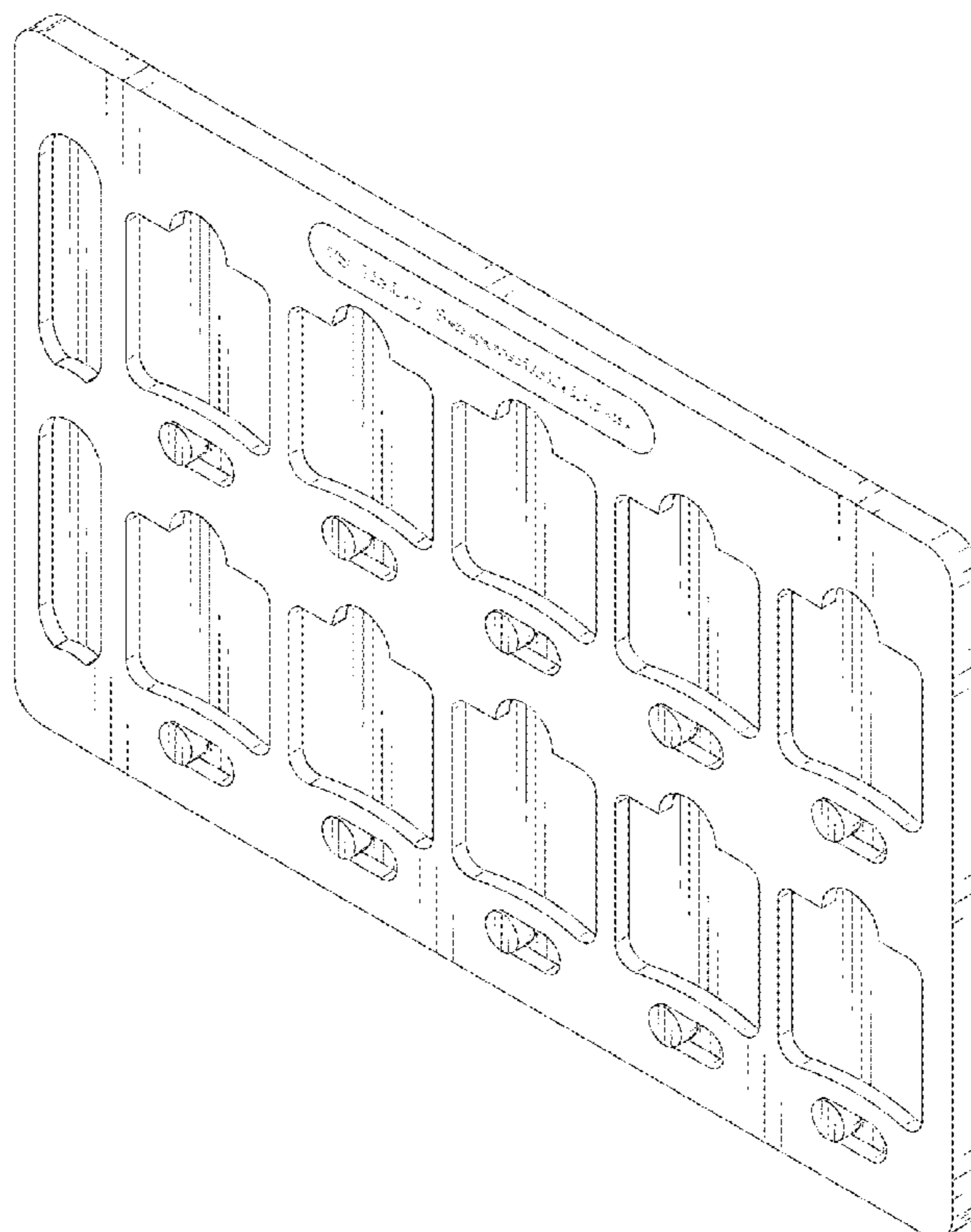
The broken lines in the drawings illustrate the portions of the toy, which form no part of the claimed design.

1 Claim, 8 Drawing Sheets

(56) **References Cited**

U.S. PATENT DOCUMENTS

D274,826	S *	7/1984	Wood	D21/392
D327,713	S *	7/1992	Thomson	D21/475
D408,464	S *	4/1999	Hanson, Sr.	D21/455
D412,942	S *	8/1999	Isabel	D21/392
D455,957	S *	4/2002	Sisinni	D9/423
D592,045	S *	5/2009	Banakar	D9/425
D646,334	S *	10/2011	Ingram	D21/303
D759,761	S *	6/2016	Connell	D21/337
D769,983	S *	10/2016	Betsui	D11/95
D787,607	S *	5/2017	Sanico	A63F 1/04 D21/389



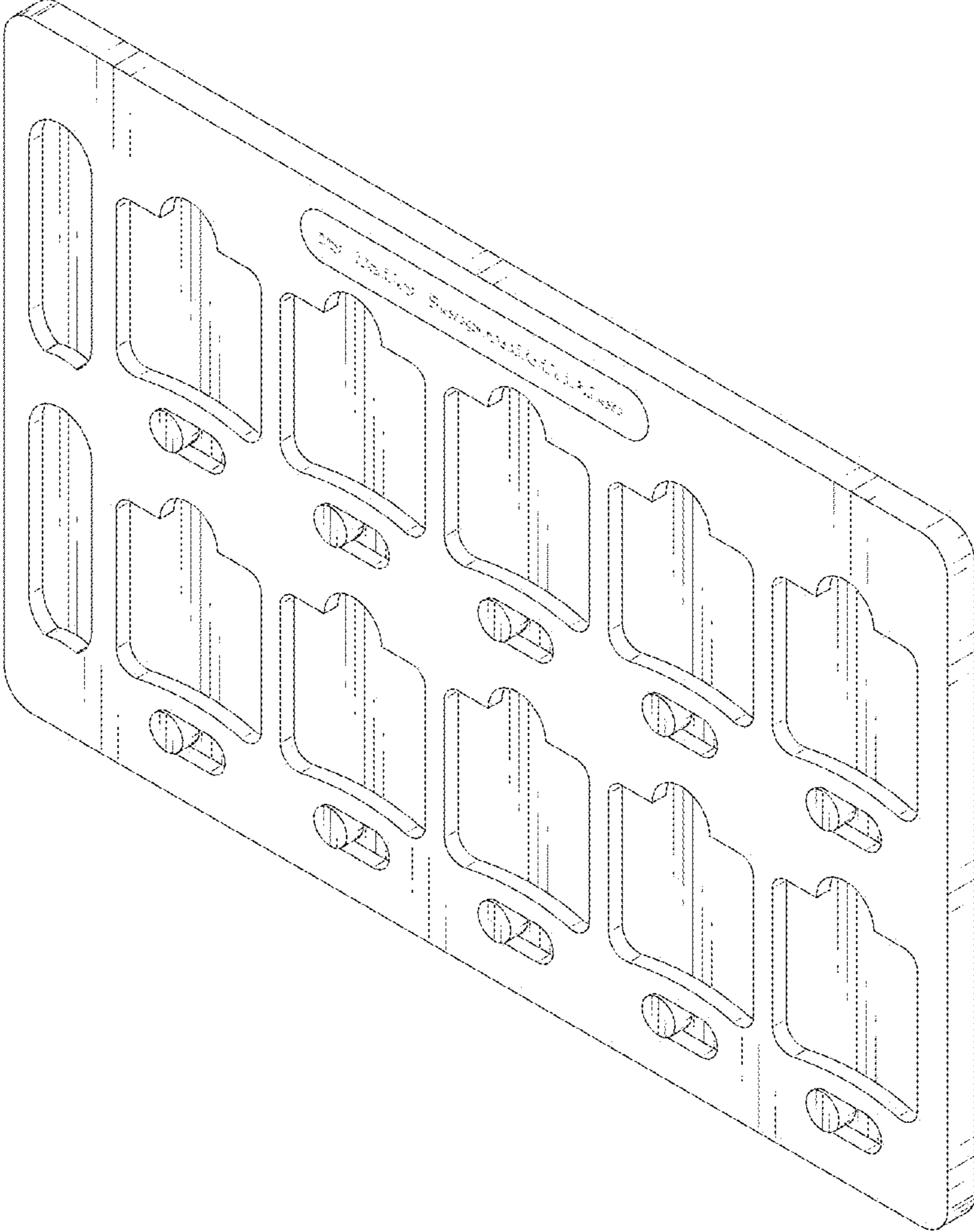


FIG. 1

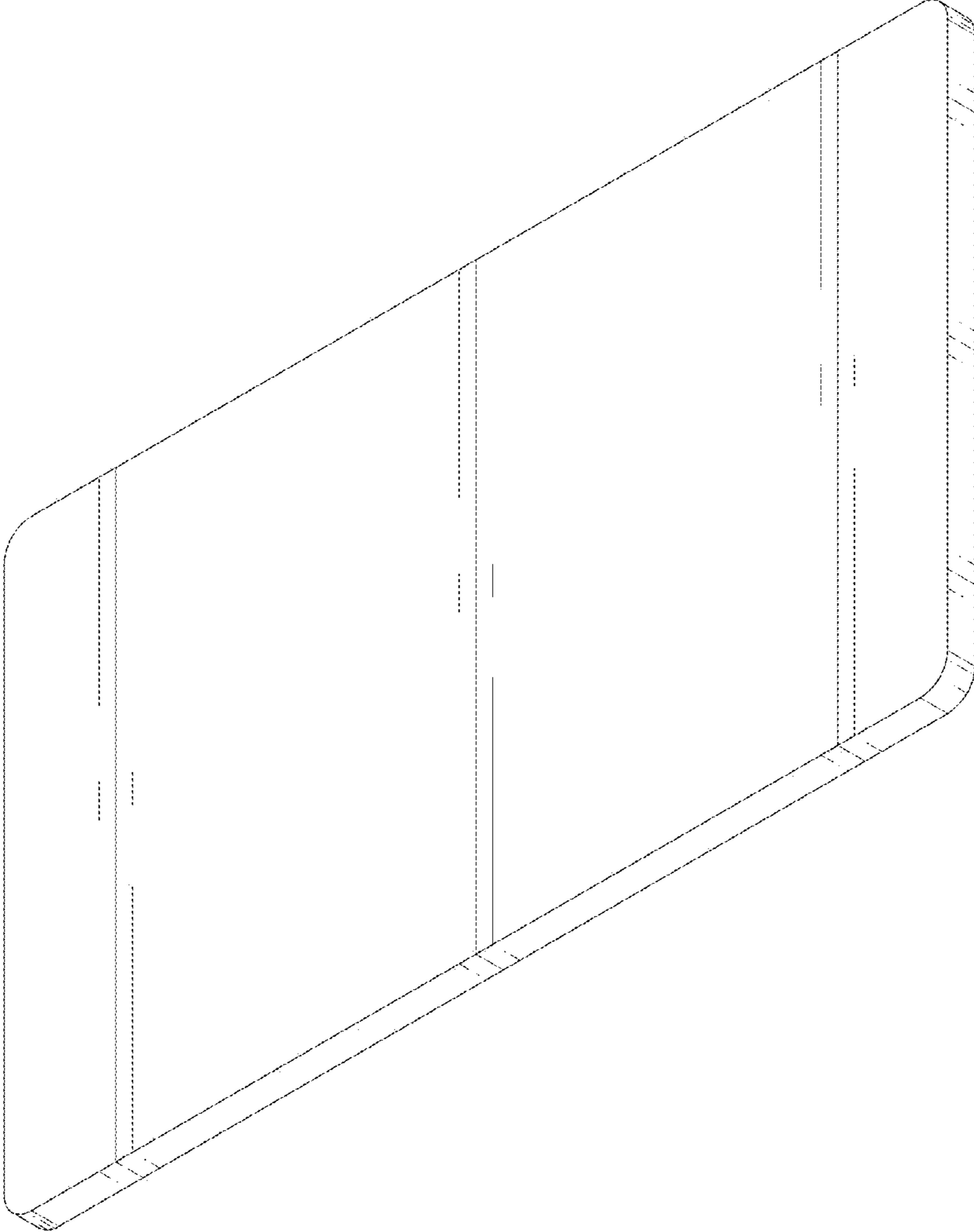


FIG. 2

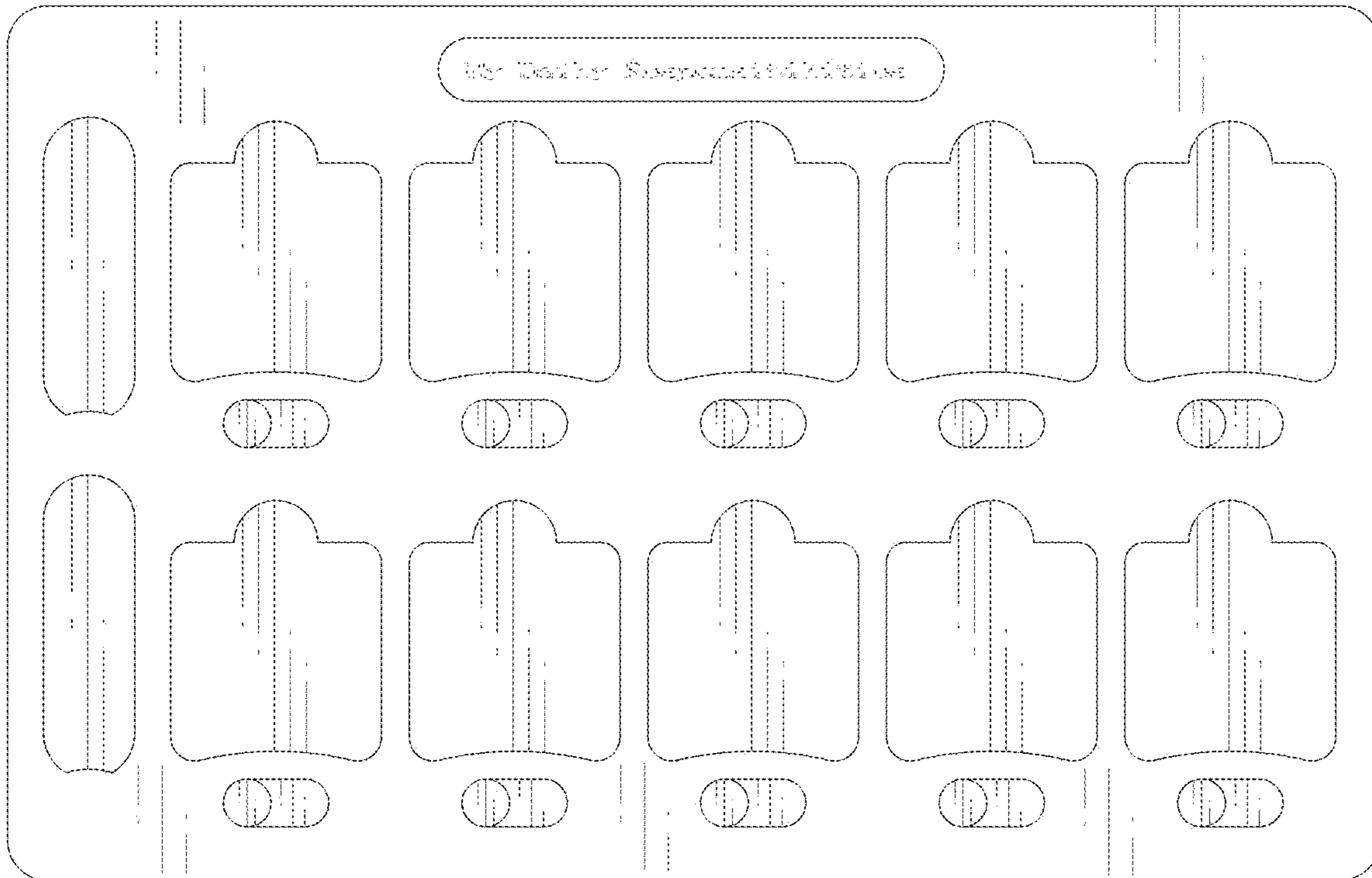


FIG. 3

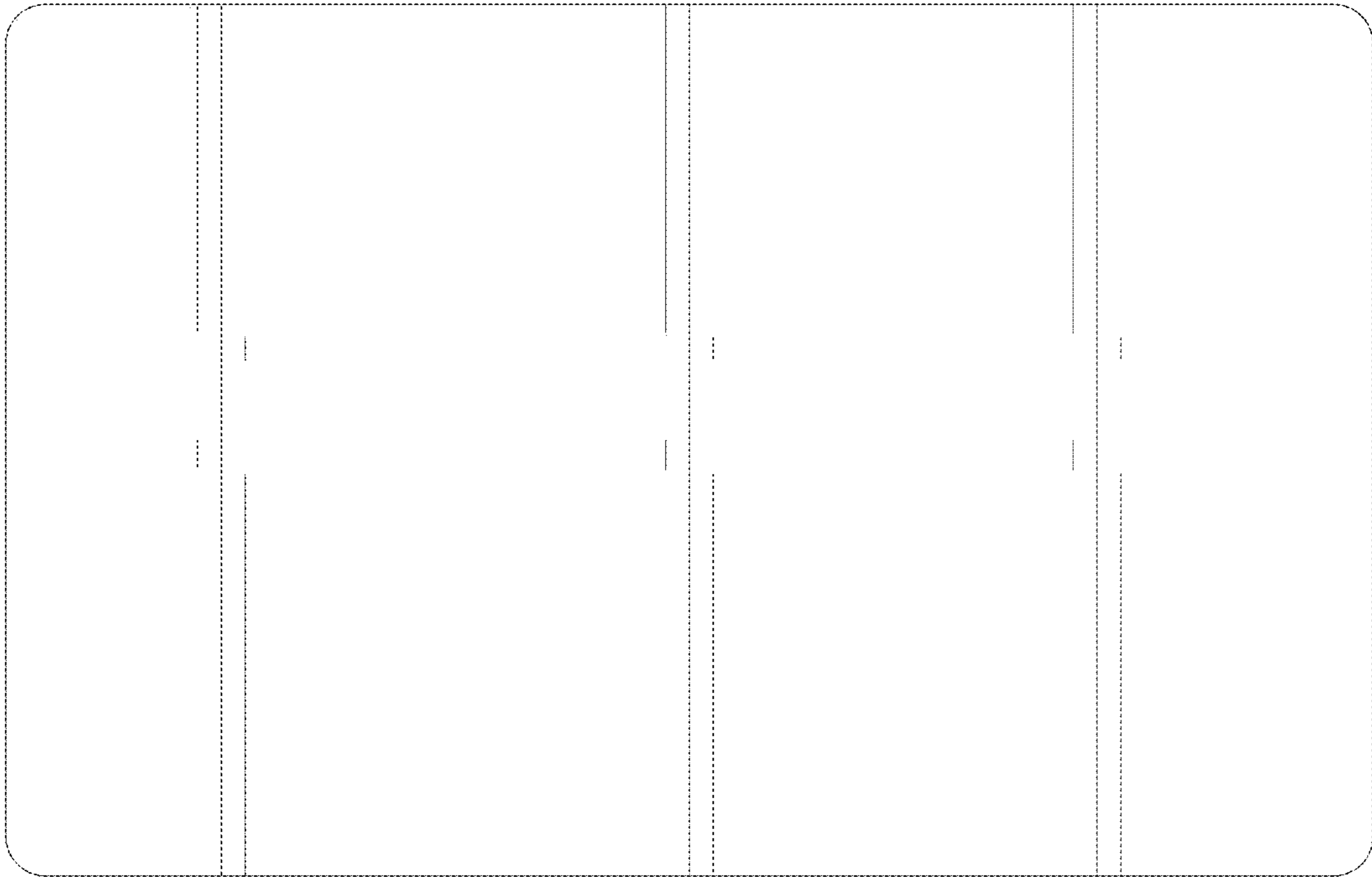


FIG. 4

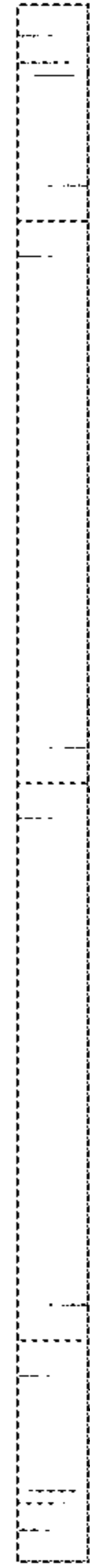


FIG. 5



FIG. 6



FIG. 7

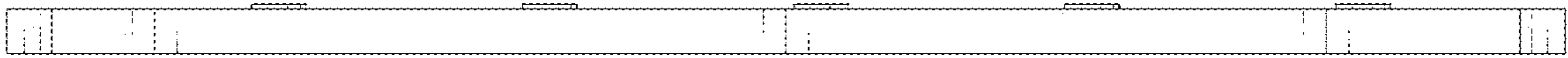


FIG. 8