



US0D1030860S

(12) **United States Design Patent**
Kida et al.

(10) **Patent No.:** **US D1,030,860 S**

(45) **Date of Patent:** **** Jun. 11, 2024**

(54) **STAMP**

(71) Applicant: **Shachihata Inc.**, Nagoya (JP)

(72) Inventors: **Masaki Kida**, Setagaya-ku (JP);
Motohide Imaizumi, Setagaya-ku (JP)

(73) Assignee: **Shachihata Inc.**, Nagoya (JP)

(**) Term: **15 Years**

(21) Appl. No.: **29/814,953**

(22) Filed: **Nov. 10, 2021**

(30) **Foreign Application Priority Data**

May 14, 2021 (JP) 2021-010146 D

(51) **LOC (14) Cl.** **19-02**

(52) **U.S. Cl.**
USPC **D18/15**

(58) **Field of Classification Search**
USPC D18/14, 15, 16, 17, 18, 19, 50;
D19/65-71; D7/672, 677
CPC . B41K 1/00; B41K 1/006; B41K 1/02; B41K
1/04; B41K 1/06; B41K 1/08; B41K
1/22; B41K 1/24; B41K 1/26; B41K
1/28; B41K 3/12; B41K 3/121; B41K
3/122; B41K 3/123; B41K 3/60; B41K
1/38; B41K 1/40; B41K 1/42; B41K
1/44; B41K 1/46; B41K 1/50; B41K
1/52; B41K 3/54; B41K 3/56; B41K
3/58; B41K 3/62
See application file for complete search history.

(56) **References Cited**

U.S. PATENT DOCUMENTS

D378,597 S * 3/1997 Harden 101/406
D378,828 S * 4/1997 Harden D18/15
D399,245 S * 10/1998 Harden D18/14
D422,017 S * 3/2000 Harden D18/15
D507,593 S * 7/2005 Kida D18/15

D507,806 S * 7/2005 Kida D18/15
D508,072 S * 8/2005 Kida D18/15
D614,688 S * 4/2010 Wilflingseder D18/15
D802,656 S 11/2017 Kida et al.
D900,210 S * 10/2020 Kida D18/15
2011/0048258 A1* 3/2011 Shih B41K 1/56
101/333

(Continued)

FOREIGN PATENT DOCUMENTS

JP D1546028 3/2016
JP D1546029 3/2016

(Continued)

OTHER PUBLICATIONS

Amazon. Link: <https://www.amazon.com/XST22402-Xstamper-XpeDater-Pre-Inked-RECEIVED/dp/B0006VPLZC/>. Sep. 7, 2012. XST22402—Xstamper XpeDater Pre-Inked Rotary Received Message/Date and Time Stamp (Year: 2012).*

(Continued)

Primary Examiner — Lauren D McVey
(74) *Attorney, Agent, or Firm* — Saidman DesignLaw Group, LLC

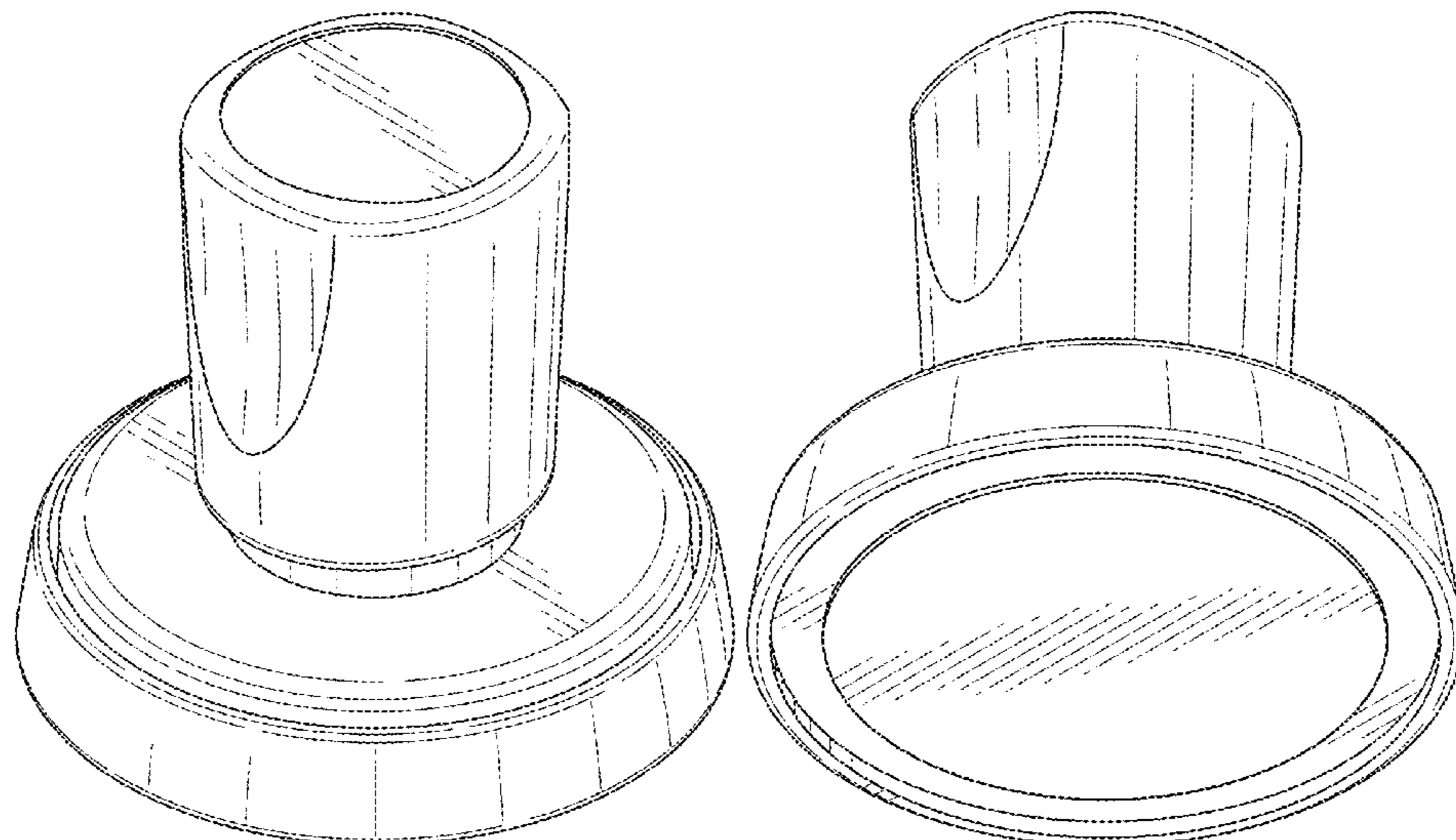
(57) **CLAIM**

The ornamental design for a stamp, as shown and described.

DESCRIPTION

FIG. 1 is a top perspective view of a stamp showing our new design;
FIG. 2 is a bottom perspective view thereof;
FIG. 3 is a front view thereof;
FIG. 4 is a rear view thereof;
FIG. 5 is a left side view thereof;
FIG. 6 is a right side view thereof;
FIG. 7 is a top plan view thereof; and,
FIG. 8 is a bottom plan view thereof.

1 Claim, 4 Drawing Sheets



(56)

References Cited

U.S. PATENT DOCUMENTS

2013/0298789 A1* 11/2013 Soma B41F 17/006
101/375
2013/0305940 A1* 11/2013 Zehetner B41K 1/50
101/333

FOREIGN PATENT DOCUMENTS

JP D1657581 * 4/2020
JP D1657695 * 4/2020
JP D1657696 * 4/2020
JP D1657698 * 4/2020
JP D1690457 * 7/2021
JP D1711584 * 4/2022

OTHER PUBLICATIONS

Amazon. Link: <https://www.amazon.com/dp/B071G3K3XL/>. Jun. 6, 2017. Xstamper Pre-Inked Custom Stamp N32 5/8" Round (Year: 2017).*

Amazon. Link: <https://www.amazon.com/dp/B09V5S6PJW/>. Mar. 9, 2022. Stamp-Ever Pre-Inked Message Stamp (Year: 2022).*

* cited by examiner

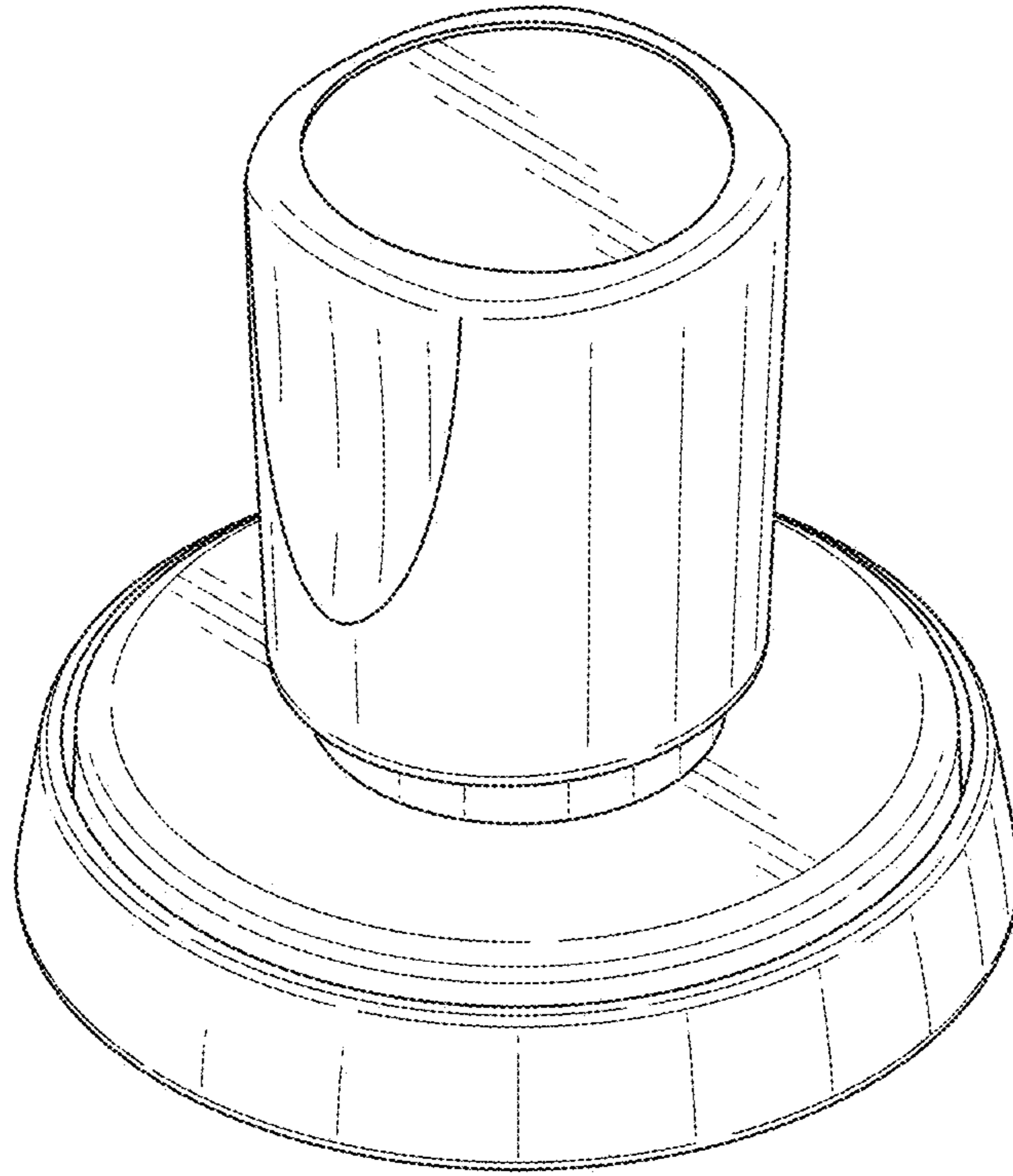


FIG. 1

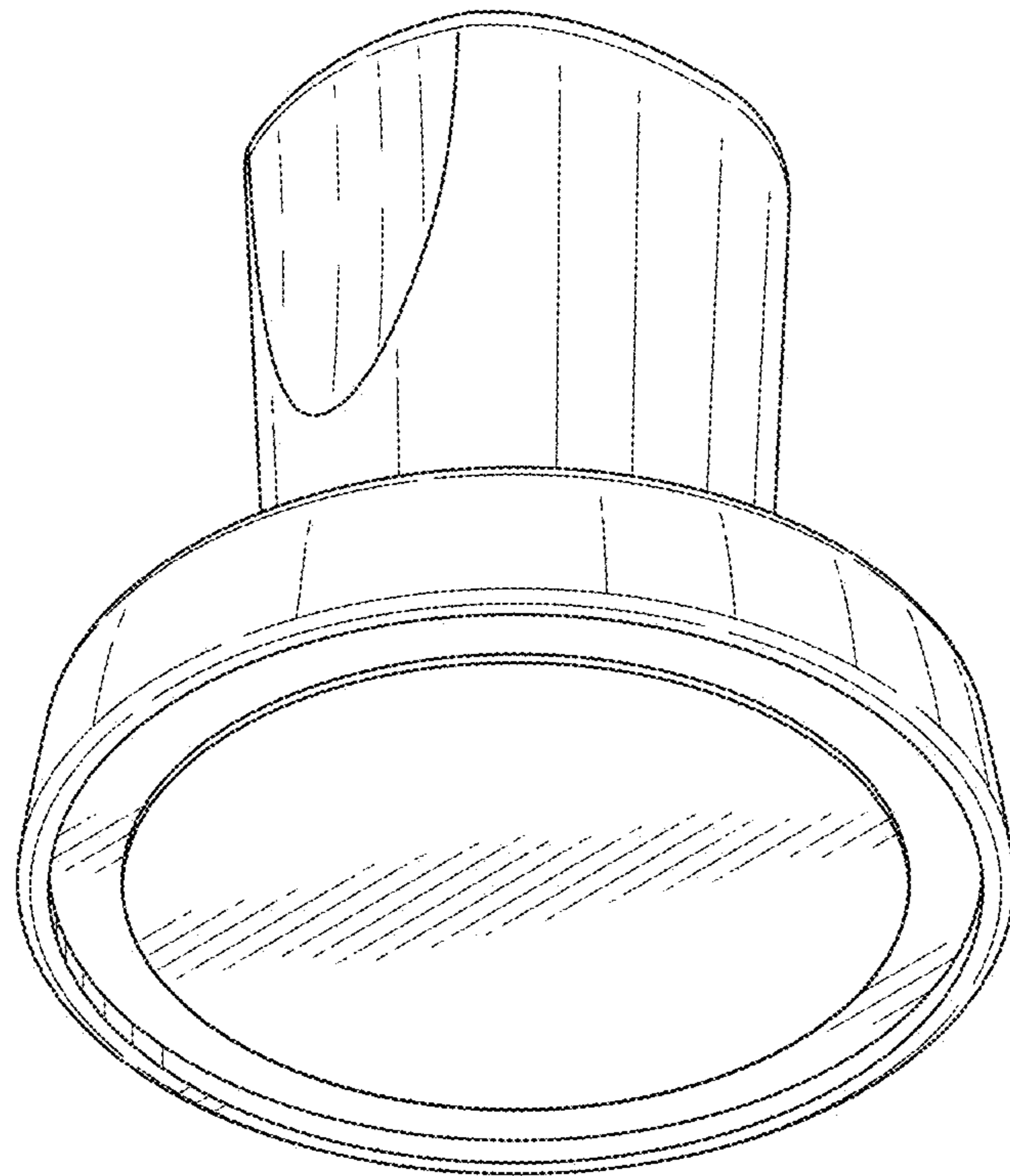


FIG. 2

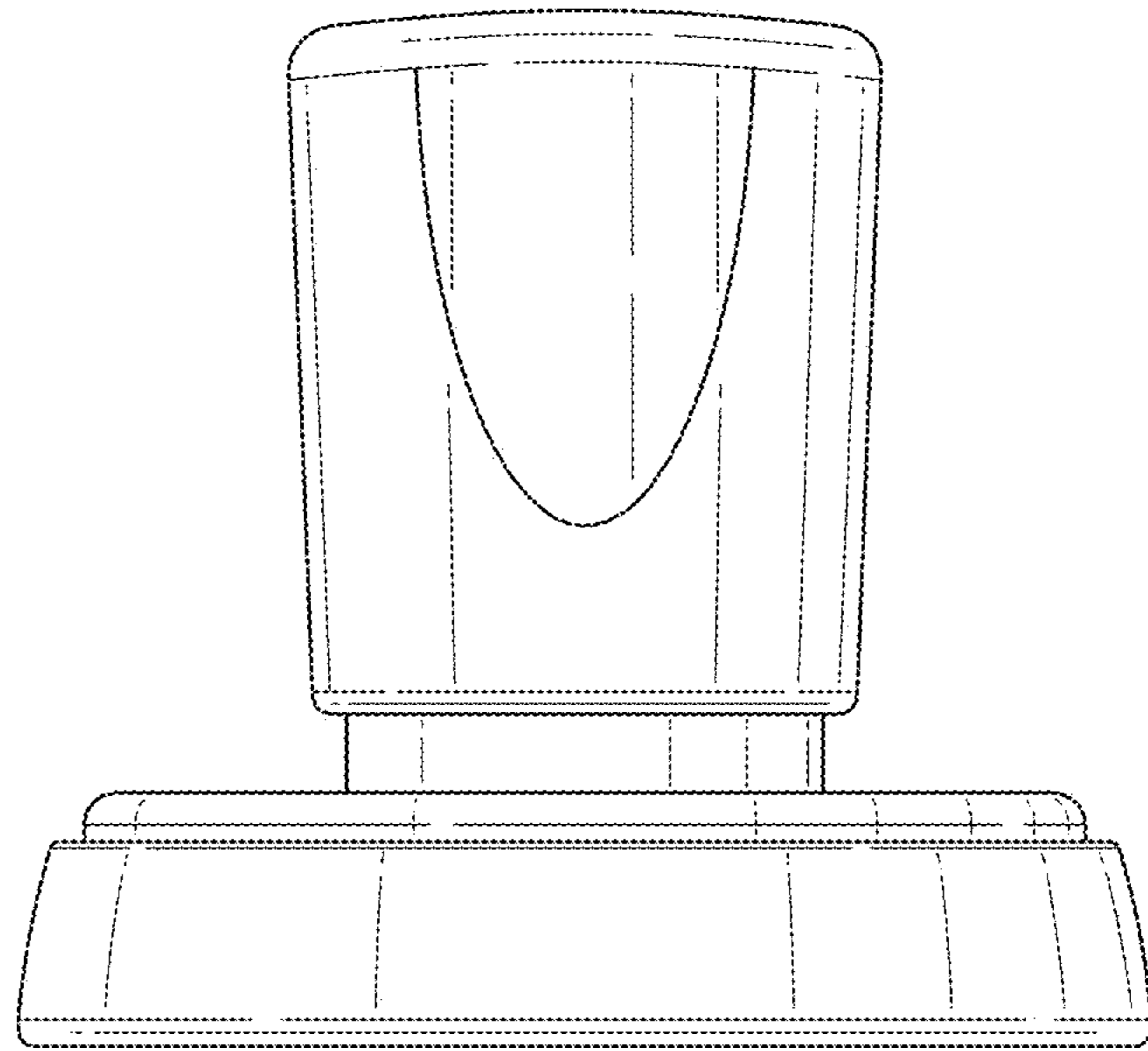


FIG. 3

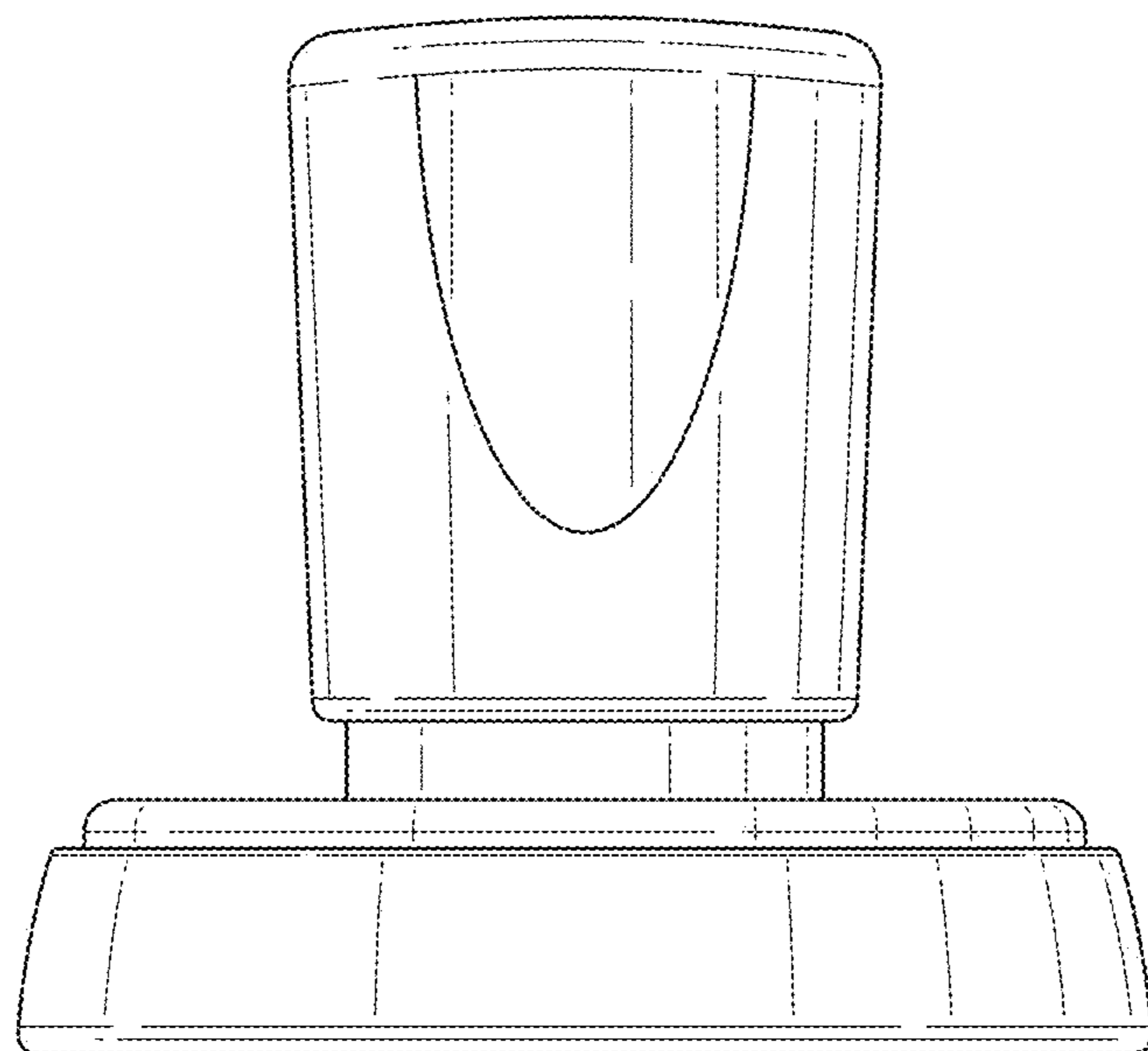


FIG. 4

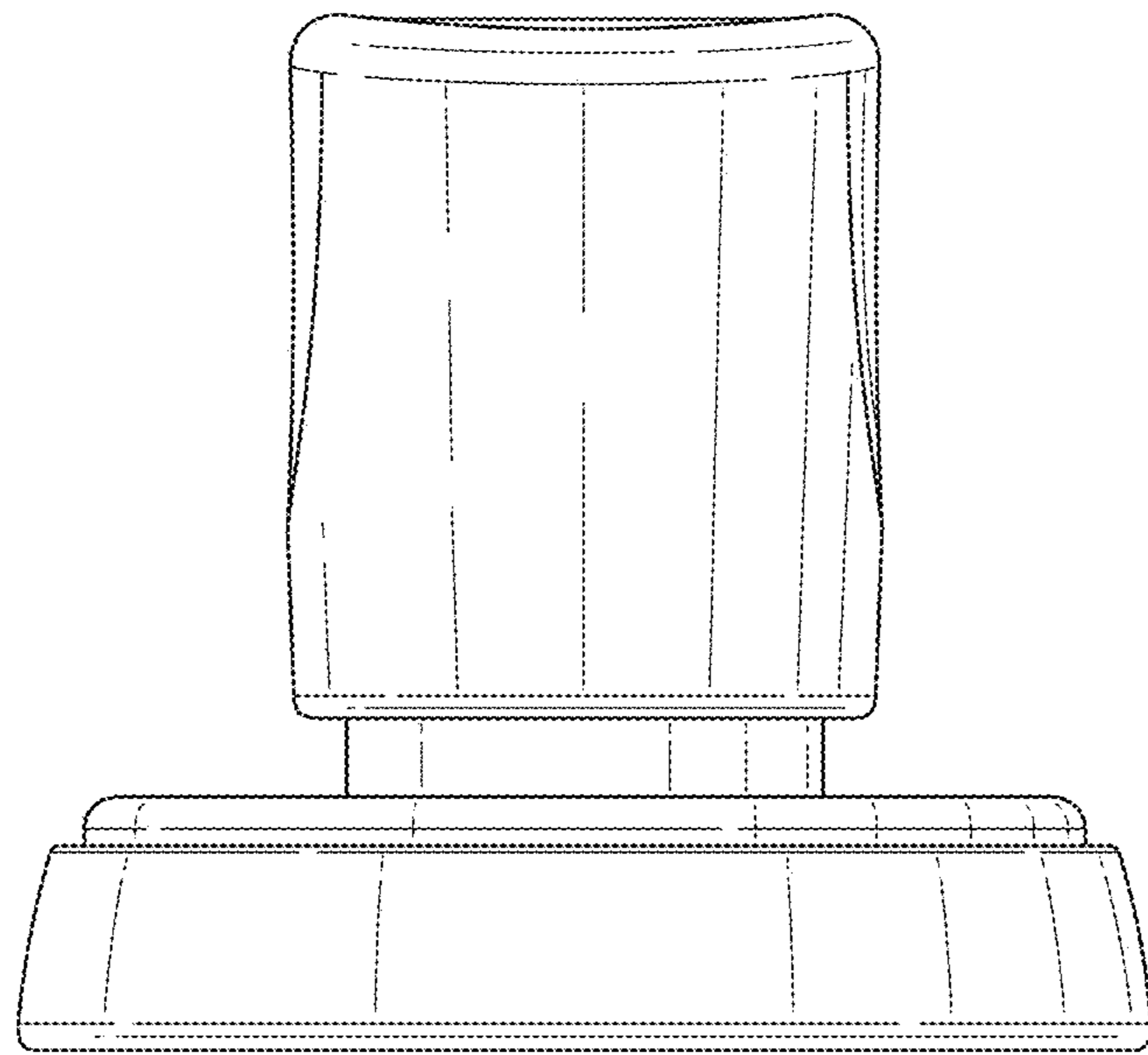


FIG. 5

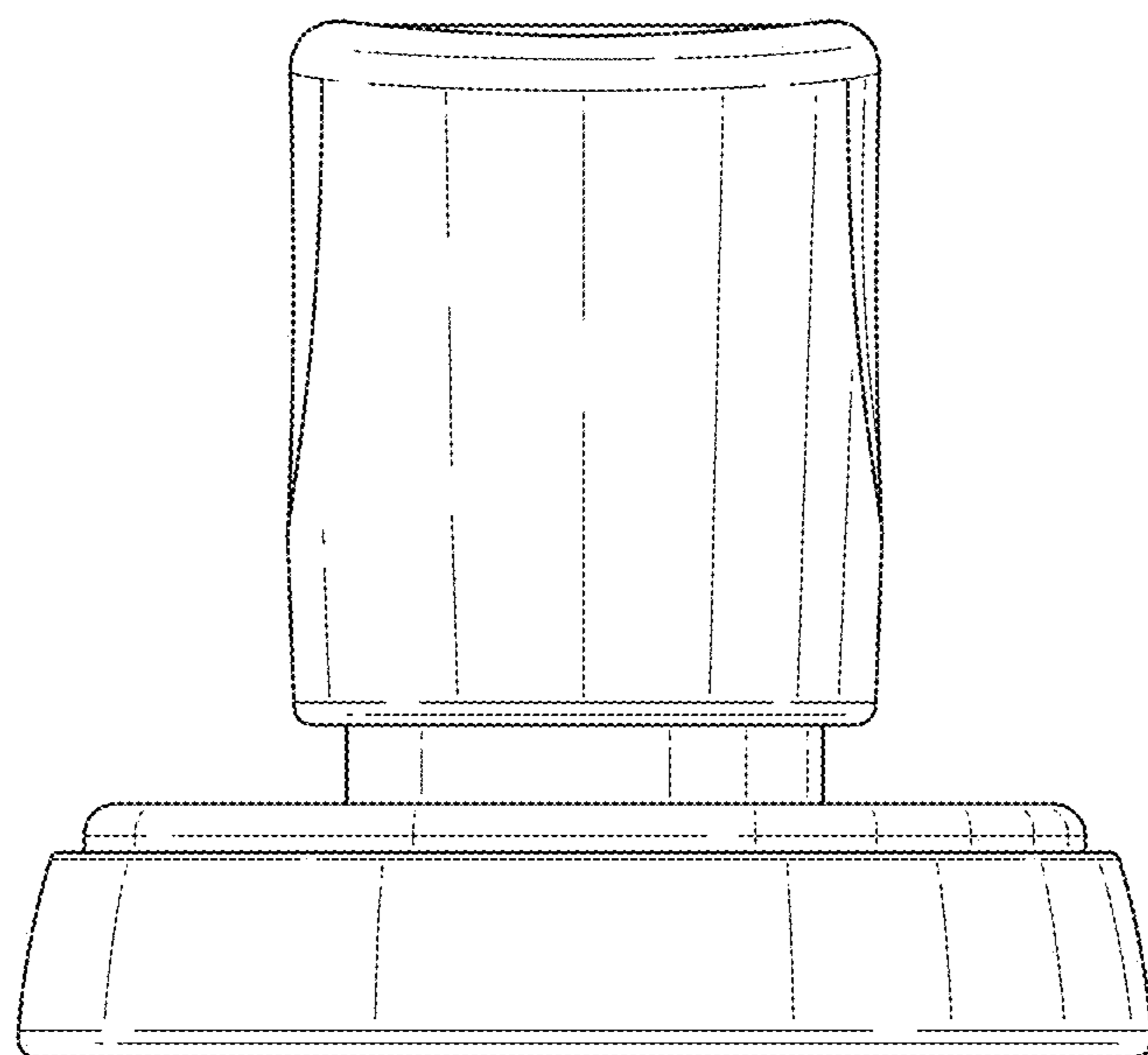


FIG. 6

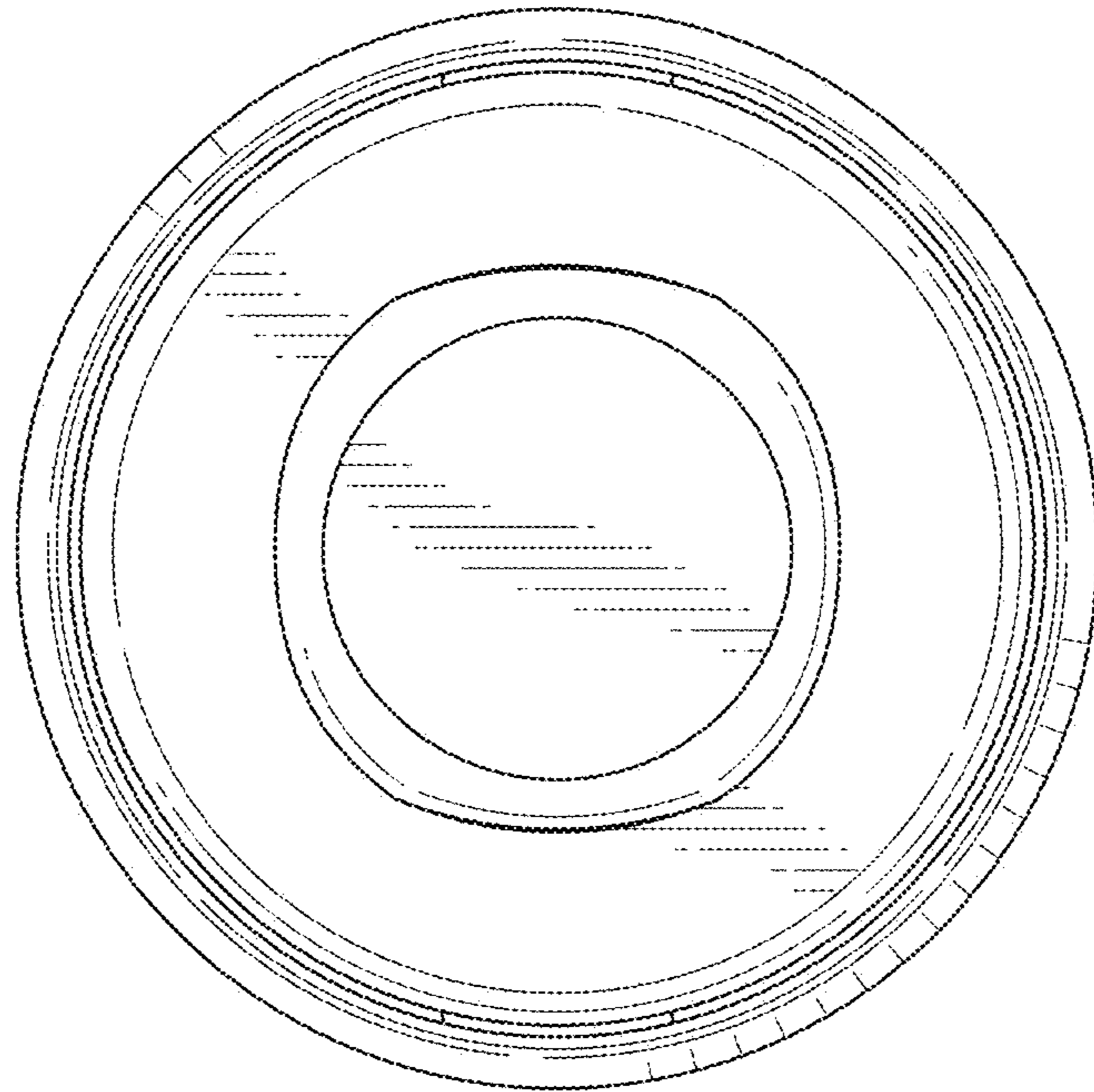


FIG. 7

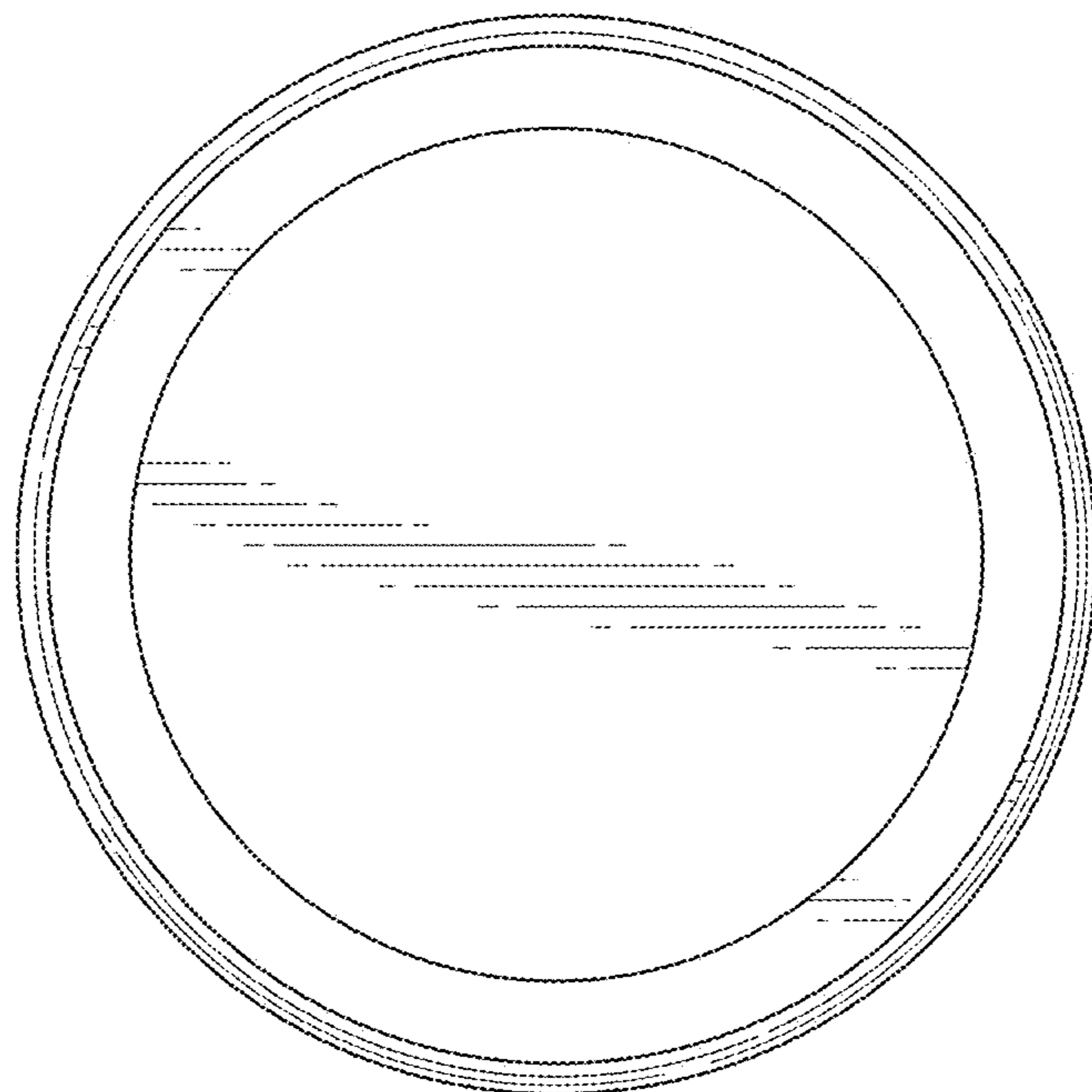


FIG. 8