



US0D1030762S

(12) **United States Design Patent** (10) **Patent No.:** **US D1,030,762 S**
Kangasmaa et al. (45) **Date of Patent:** **** Jun. 11, 2024**

(54) **CONSOLE**

- (71) Applicant: **LoupeDeck Oy**, Helsinki (FI)
- (72) Inventors: **Heikki Kangasmaa**, Espoo (FI); **Pauli Seppinen**, Vantaa (FI)
- (73) Assignee: **Loupedeck Oy**, Helsinki (FI)
- (**) Term: **15 Years**
- (21) Appl. No.: **29/775,618**
- (22) Filed: **Mar. 24, 2021**

(30) **Foreign Application Priority Data**

Oct. 27, 2020 (EM) 008216790-0001
 Oct. 27, 2020 (EM) 008216790-0002

(51) **LOC (14) Cl.** **14-02**

(52) **U.S. Cl.**
USPC **D14/388**; D14/239; D14/217

(58) **Field of Classification Search**
 USPC D14/388, 389, 390, 396, 397, 398, 399,
 D14/400, 401, 454, 455, 356, 357, 496,
 D14/217, 218, 239; D21/324-333, 517,
 D21/512; D13/162, 162.1, 163;
 D10/106.9, 106.95; D12/174; D24/185,
 D24/186
 CPC G06F 1/169; G06F 3/002; G06F 3/016;
 G06F 3/02; G06F 3/0219; G06F 3/1423;
 (Continued)

(56) **References Cited**

U.S. PATENT DOCUMENTS

D237,977 S * 12/1975 Isaacs D14/338
 D244,214 S * 5/1977 Ross D14/217
 D256,916 S * 9/1980 Gindek D14/339
 (Continued)

FOREIGN PATENT DOCUMENTS

WO WO-2018007679 A1 * 1/2018 G06F 3/0219

OTHER PUBLICATIONS

Loupedeck Review—The video editing console thats easy to set up. (online) 3 pgs. Posted Dec. 21, 2018. [Retrieved Apr. 2, 2021] <https://www.videomaker.com/reviews/computer-equipment/loupedeck-review-the-video-editing-console-thats-easy-to-set-up/>.*

(Continued)

Primary Examiner — Marie D. Fast Horse

(74) *Attorney, Agent, or Firm* — Ziegler IP Law Group LLC.

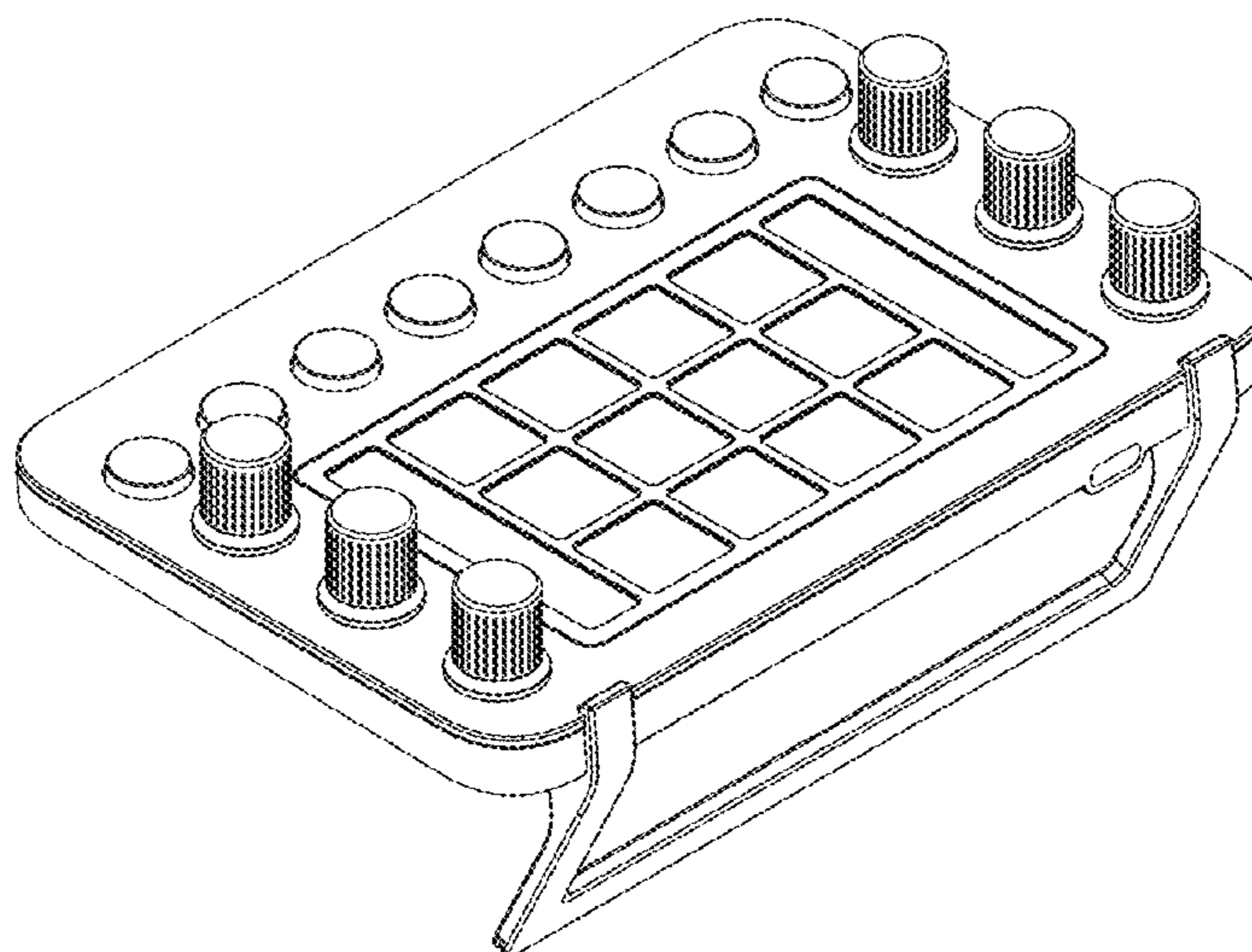
(57) **CLAIM**

The ornamental design for a console, as shown and described.

DESCRIPTION

FIG. 1 is a front perspective view of one embodiment of a console incorporating the new design, this embodiment of the console being shown with a handle but otherwise being identical to the console shown in FIG. 8, including the port along the top edge;
 FIG. 2 is a front view thereof;
 FIG. 3 is a back view thereof;
 FIG. 4 is a top view thereof;
 FIG. 5 is a bottom view thereof;
 FIG. 6 is an enlarged view thereof, the opposite side being a mirror image;
 FIG. 7 is a front perspective view of the console of FIG. 1, shown in the alternate state with the handle detached therefrom;
 FIG. 8 is a front perspective view of another embodiment of a console incorporating the new design, this embodiment of the console not including a handle;
 FIG. 9 is a front view thereof;
 FIG. 10 is a back view thereof;
 FIG. 11 is a top view thereof;
 FIG. 12 is a bottom view thereof;
 FIG. 13 is an enlarged side view thereof; and,
 FIG. 14 is an enlarged opposite side view thereof.

1 Claim, 14 Drawing Sheets



(58) **Field of Classification Search**
 CPC G06F 3/1431; G06F 3/1438; G06F 3/167;
 G06F 15/0225; H04N 5/262; H04N 5/265
 See application file for complete search history.

(56) **References Cited**

U.S. PATENT DOCUMENTS

D265,199 S * 6/1982 Urban D13/164
 D277,665 S * 2/1985 Genaro D14/149
 D291,196 S * 8/1987 Ito D14/162
 D305,430 S * 1/1990 Cohen D14/239
 D309,455 S * 7/1990 Staley D14/239
 D323,506 S * 1/1992 Breslau D14/217
 D337,120 S * 7/1993 Staley D14/239
 D338,015 S * 8/1993 Mohri D14/239
 D338,016 S * 8/1993 Mohri D14/239
 D340,916 S * 11/1993 Imura D13/162
 D341,833 S * 11/1993 MacKay D14/217
 D341,834 S * 11/1993 MacKay D14/217
 D343,622 S * 1/1994 Hanke D14/239
 D349,290 S * 8/1994 Christensen D14/217
 D355,655 S * 2/1995 Burke D14/217
 D359,954 S * 7/1995 Shimizu D14/388
 D364,389 S * 11/1995 Shimizu D18/39
 D366,261 S * 1/1996 Splane, Jr. D14/399
 D372,478 S * 8/1996 Ricotta D14/217
 D381,325 S * 7/1997 McMahan D14/388
 D385,854 S * 11/1997 Sumii D14/399
 D386,500 S * 11/1997 Matsumoto D14/239
 D391,945 S * 3/1998 Rosen D14/452
 D393,463 S * 4/1998 Beaumont D14/149
 D395,285 S * 6/1998 Allon D14/388
 D411,530 S * 6/1999 Carter D14/217
 D417,223 S * 11/1999 Groves D14/125
 D417,450 S * 12/1999 Kurachi D14/168
 D421,011 S * 2/2000 Natori D14/168
 D421,975 S * 3/2000 Steel D14/217
 D429,233 S * 8/2000 Komiyama D14/167
 D434,397 S * 11/2000 Sasago D14/125
 D448,756 S * 10/2001 Lewellen D14/217
 D449,292 S * 10/2001 Miyazaki D14/217
 D454,552 S * 3/2002 Nakane D14/168
 D454,855 S * 3/2002 Nakane D14/168
 D463,401 S * 9/2002 Miyazaki D14/217
 D475,050 S * 5/2003 Klein D14/391
 D484,886 S * 1/2004 Matsuoka D14/388
 D496,922 S * 10/2004 Kimura D14/500
 D500,027 S * 12/2004 Takahashi D14/217
 D512,409 S * 12/2005 Ishizaki D14/168
 D512,706 S * 12/2005 Nakane D14/168
 D518,022 S * 3/2006 Ishizaki D14/168
 D548,230 S * 8/2007 Lipman D14/240
 D553,118 S * 10/2007 Williamson D14/168
 D553,620 S * 10/2007 Schroeder D14/399
 D560,203 S * 1/2008 Williamson D14/168

D578,514 S * 10/2008 Mazur D14/217
 D583,798 S * 12/2008 Iijima D14/168
 D589,961 S * 4/2009 Hackenberg D14/388
 D593,544 S * 6/2009 Iijima D14/217
 D602,022 S * 10/2009 Heck D14/388
 D615,544 S * 5/2010 Pascucci D14/399
 D615,555 S * 5/2010 Ho D14/496
 D616,410 S * 5/2010 Sonoda D14/168
 D622,257 S * 8/2010 Hansson D14/168
 D624,899 S * 10/2010 Hansson D14/168
 D628,981 S * 12/2010 Mazur D14/217
 D687,019 S * 7/2013 O'Donnell D14/217
 D689,486 S * 9/2013 O'Donnell D14/388
 D715,265 S * 10/2014 Kuramoto D14/217
 D715,267 S * 10/2014 Tschetter D14/217
 D728,571 S * 5/2015 Perris D14/399
 D743,942 S * 11/2015 Tschetter D14/217
 D765,058 S * 8/2016 Matsubayashi D14/217
 D767,537 S * 9/2016 Matsubayashi D14/217
 D771,594 S * 11/2016 Hong D14/217
 D771,595 S * 11/2016 Medas D14/217
 D789,932 S * 6/2017 Chu D14/388
 D791,134 S * 7/2017 Chu D14/388
 D803,814 S * 11/2017 Harms D14/217
 D815,064 S * 4/2018 Garncarz D14/217
 D826,935 S * 8/2018 Son D14/358
 D826,938 S * 8/2018 Son D14/388
 D827,645 S * 9/2018 Raken D14/388
 D832,822 S * 11/2018 Cho D14/217
 D834,020 S * 11/2018 Pascucci D14/399
 D846,528 S * 4/2019 Kuramoto D14/217
 D846,529 S * 4/2019 Yang D14/217
 D850,411 S * 6/2019 Rowe D14/217
 D870,077 S * 12/2019 Kobayashi D14/217
 D872,056 S * 1/2020 Akaishi D14/217
 D881,268 S * 4/2020 Kuramoto D14/217
 D890,754 S * 7/2020 Raken D14/388
 D895,574 S * 9/2020 Schillebeeckx D14/217
 D910,597 S * 2/2021 Akaishi D14/217
 D912,718 S * 3/2021 Jobetto D16/237
 D931,280 S * 9/2021 Kangasmaa D14/388
 D951,914 S * 5/2022 Wan D14/217
 D978,837 S * 2/2023 Xie D14/217
 D978,838 S * 2/2023 Xie D14/217
 D978,839 S * 2/2023 Xie D14/217
 D993,219 S * 7/2023 Li D14/217
 2005/0231642 A1 * 10/2005 Roman G10H 1/46
 348/578
 2021/0064231 A1 * 3/2021 Seppinen G06F 3/0219

OTHER PUBLICATIONS

Loupedeck Live. (online) 12 pgs. Available Sep. 15, 2020. [Retrieved Aug. 22, 2023] <https://www.amazon.com/Loupedeck-Live-Streaming-Customizable-Touchscreen/dp/B08F7RJYZV>.*

* cited by examiner

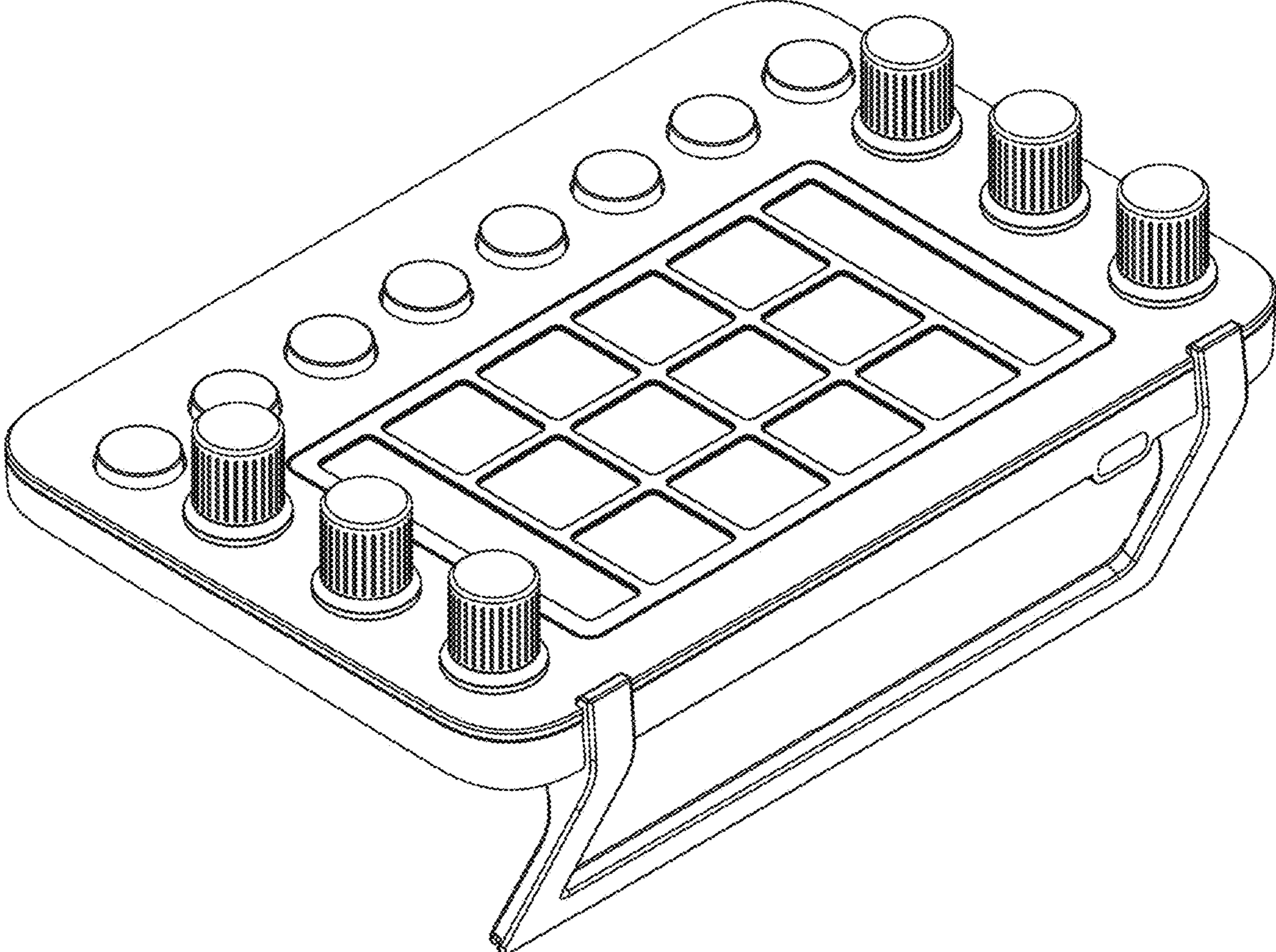


FIG. 1

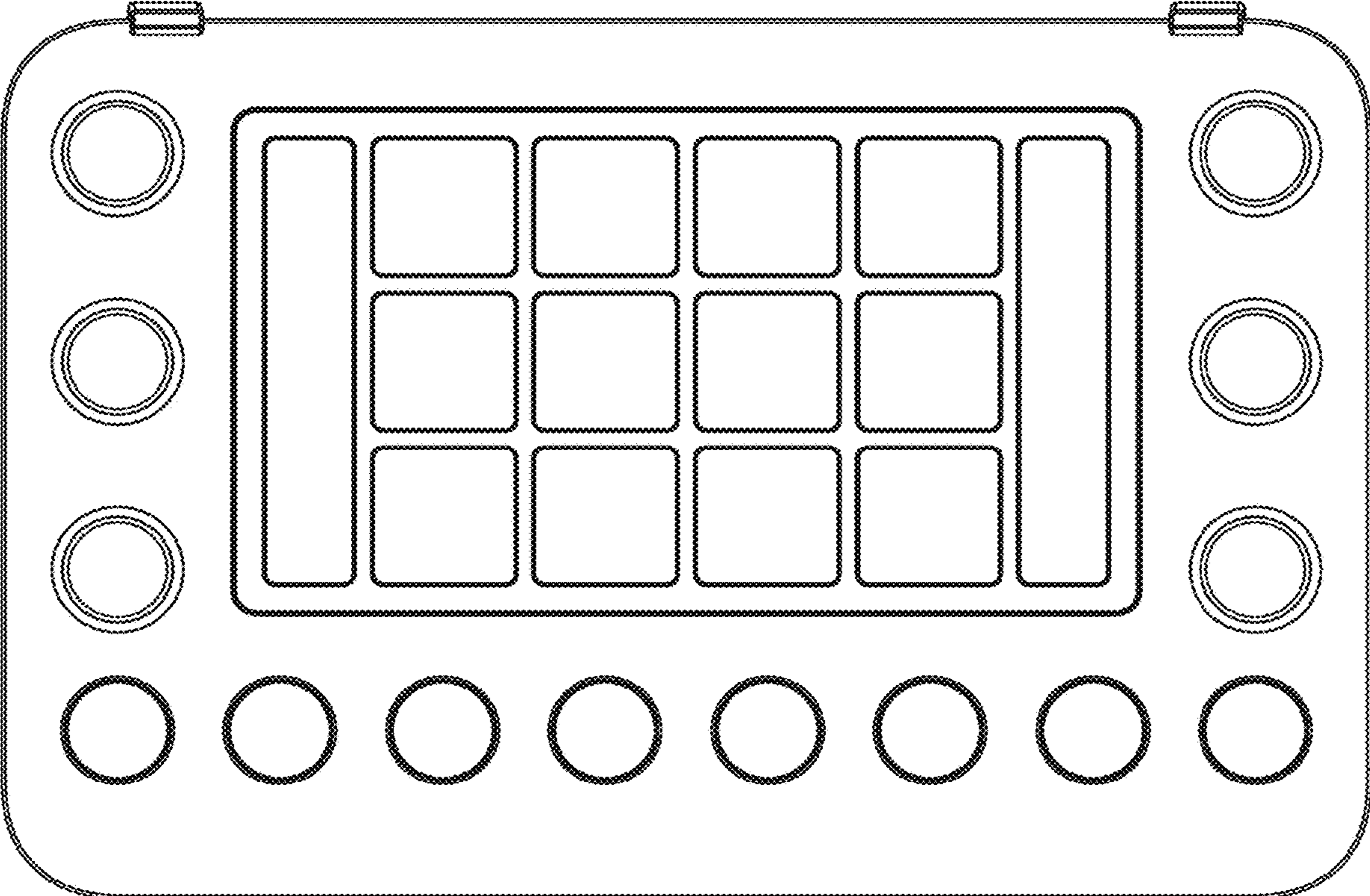


FIG. 2

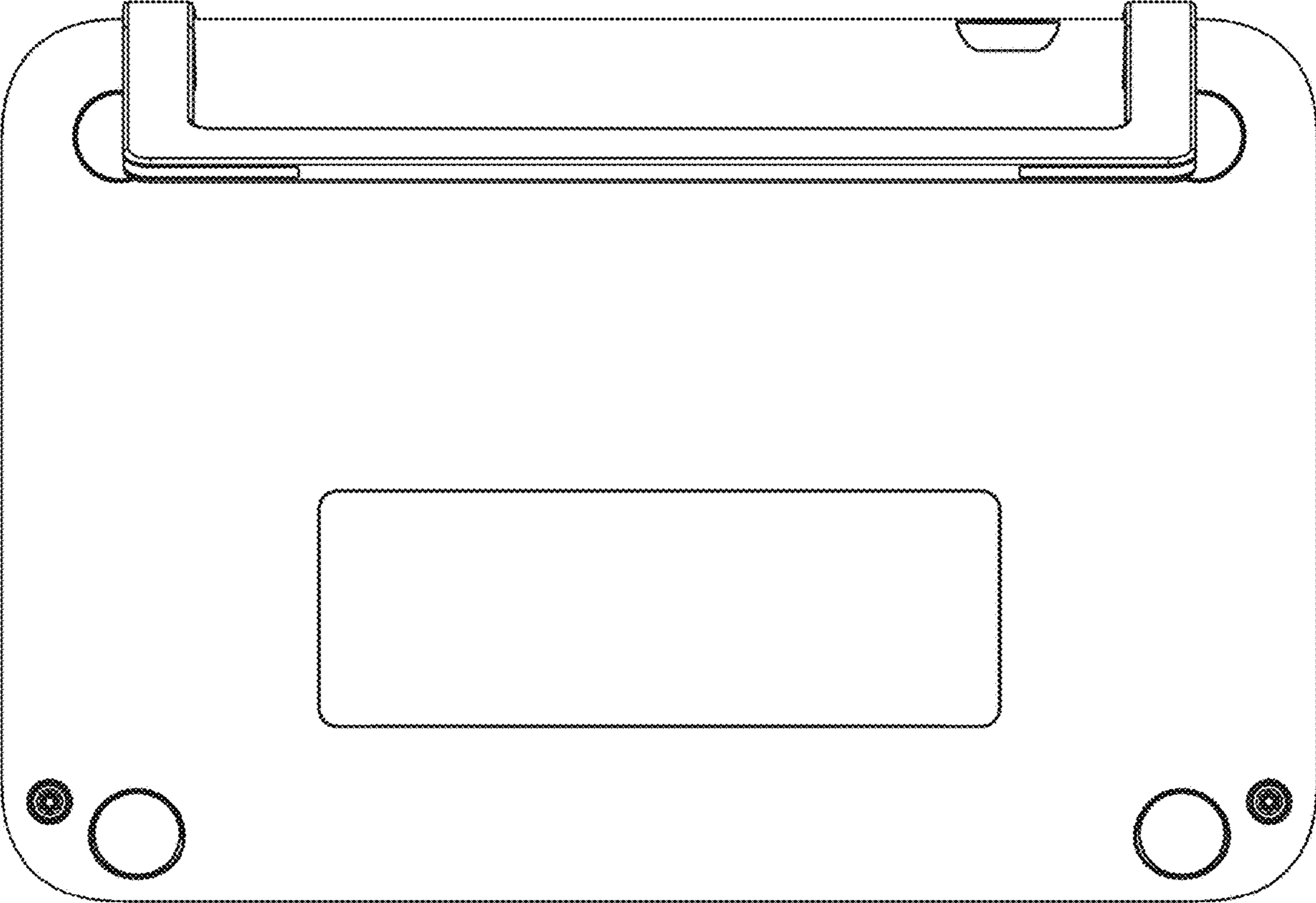


FIG. 3

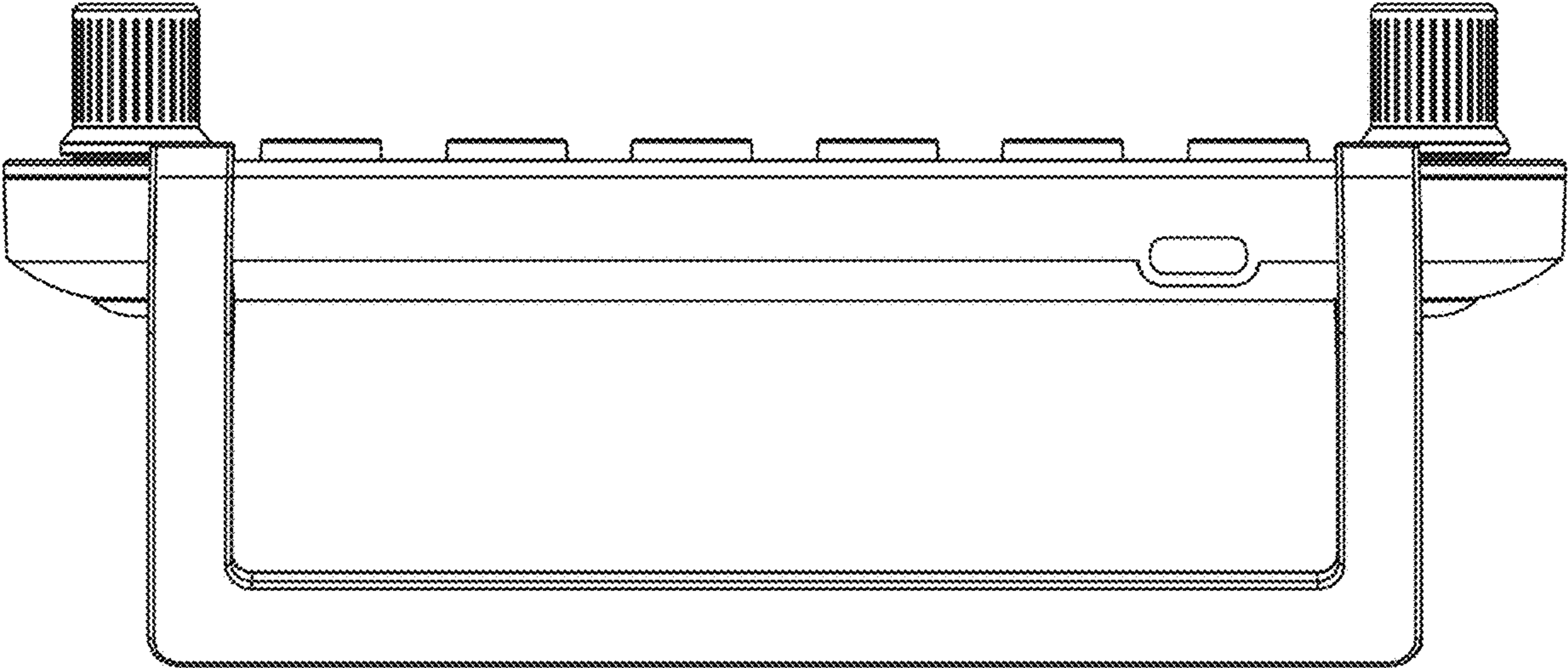


FIG. 4

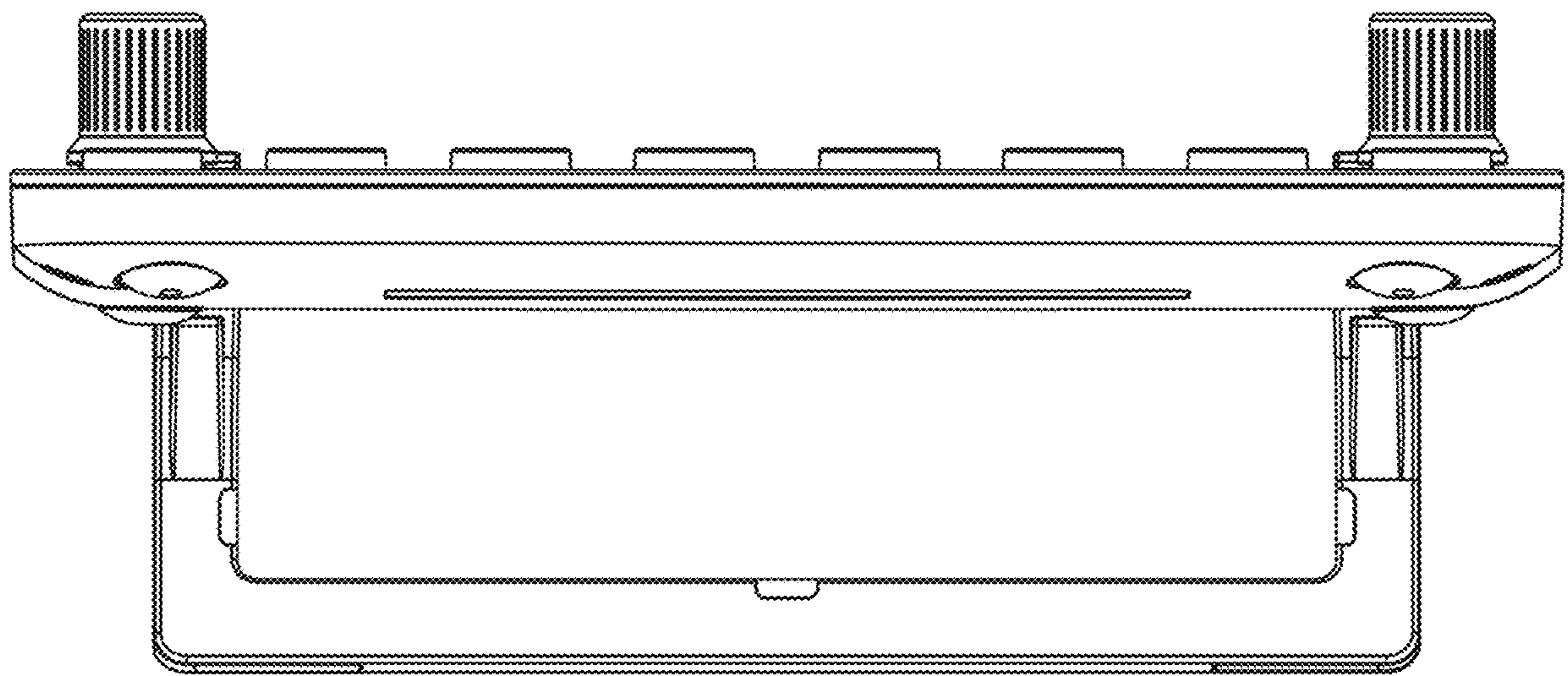


FIG. 5

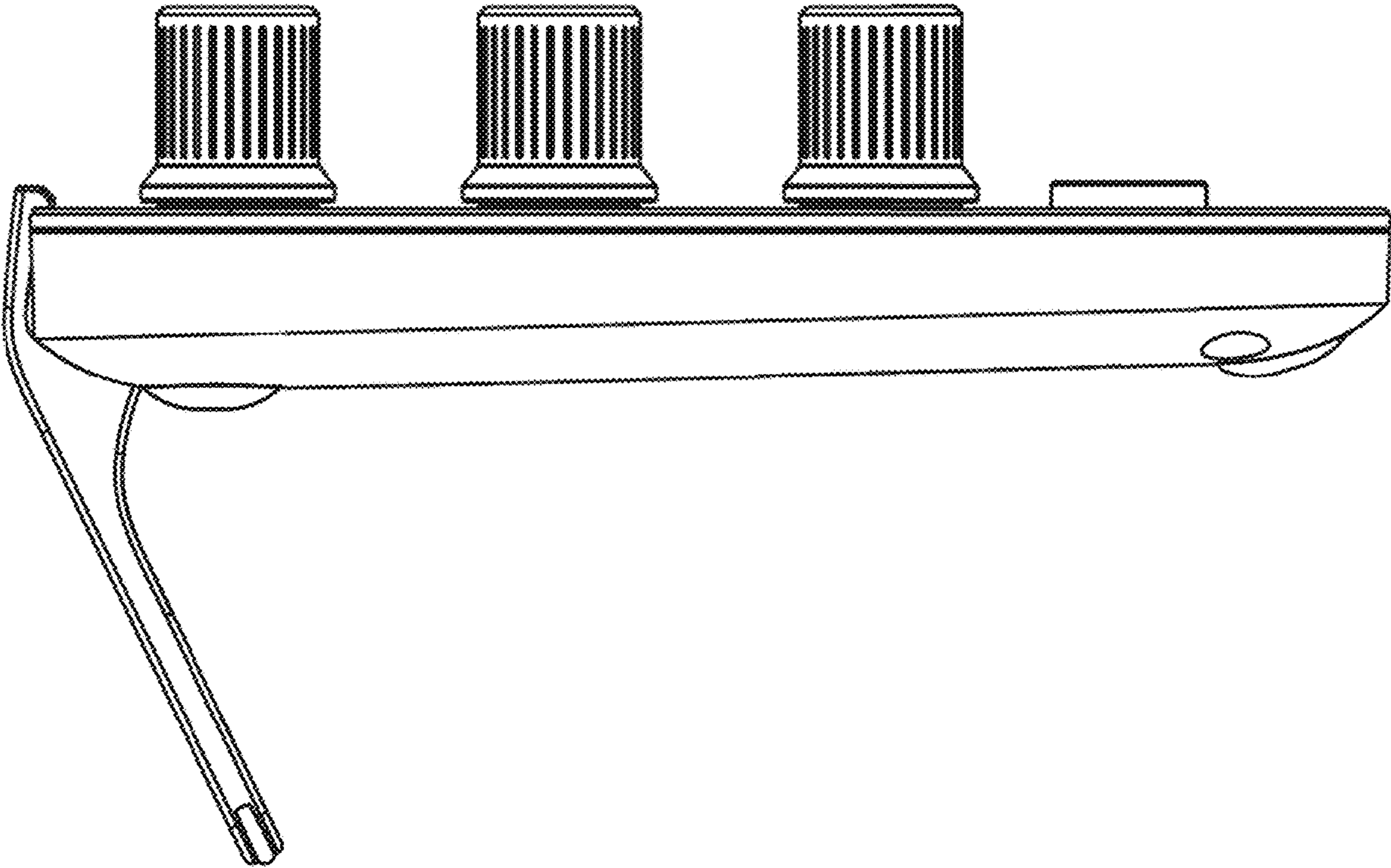


FIG. 6

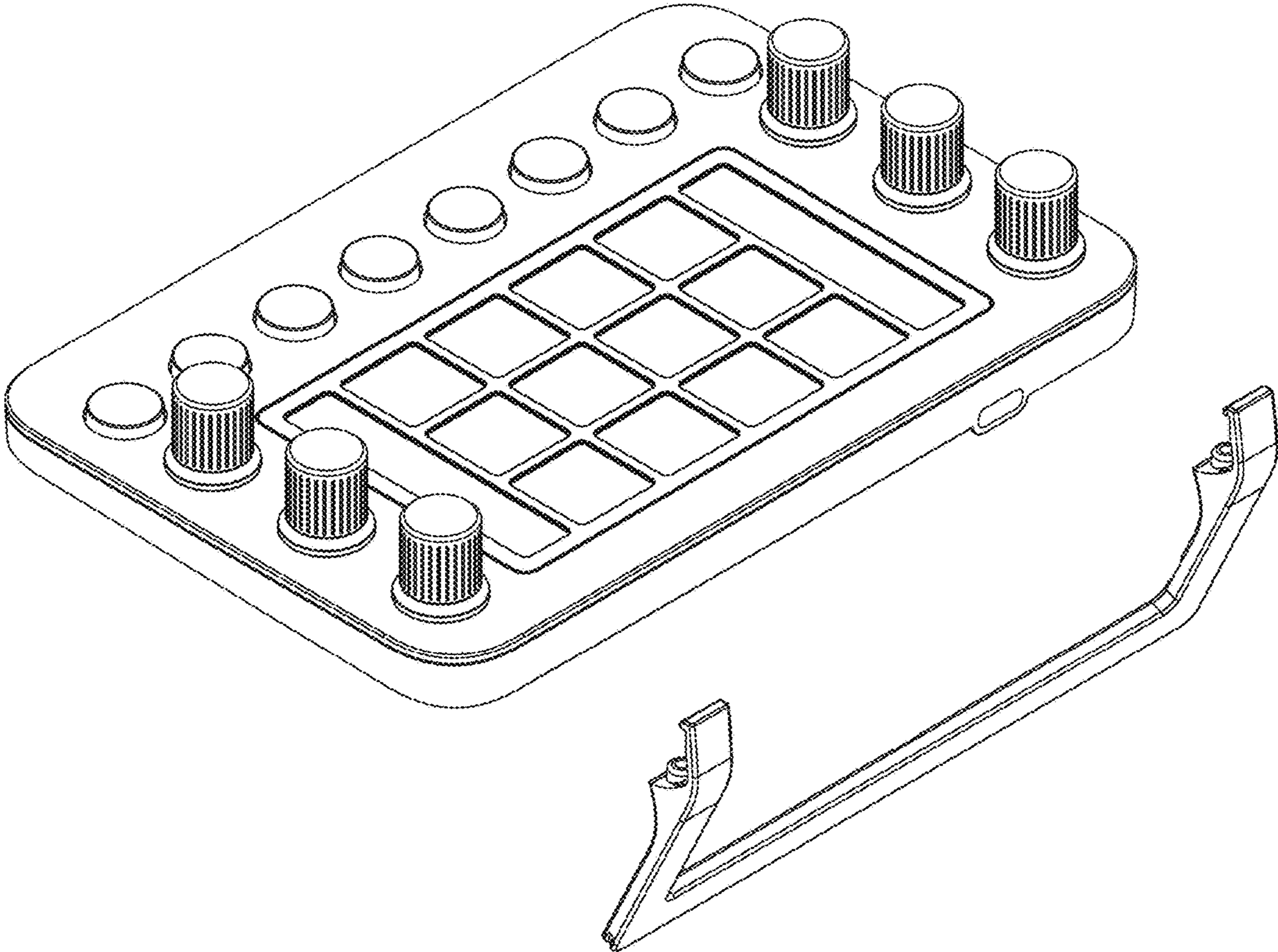


FIG. 7

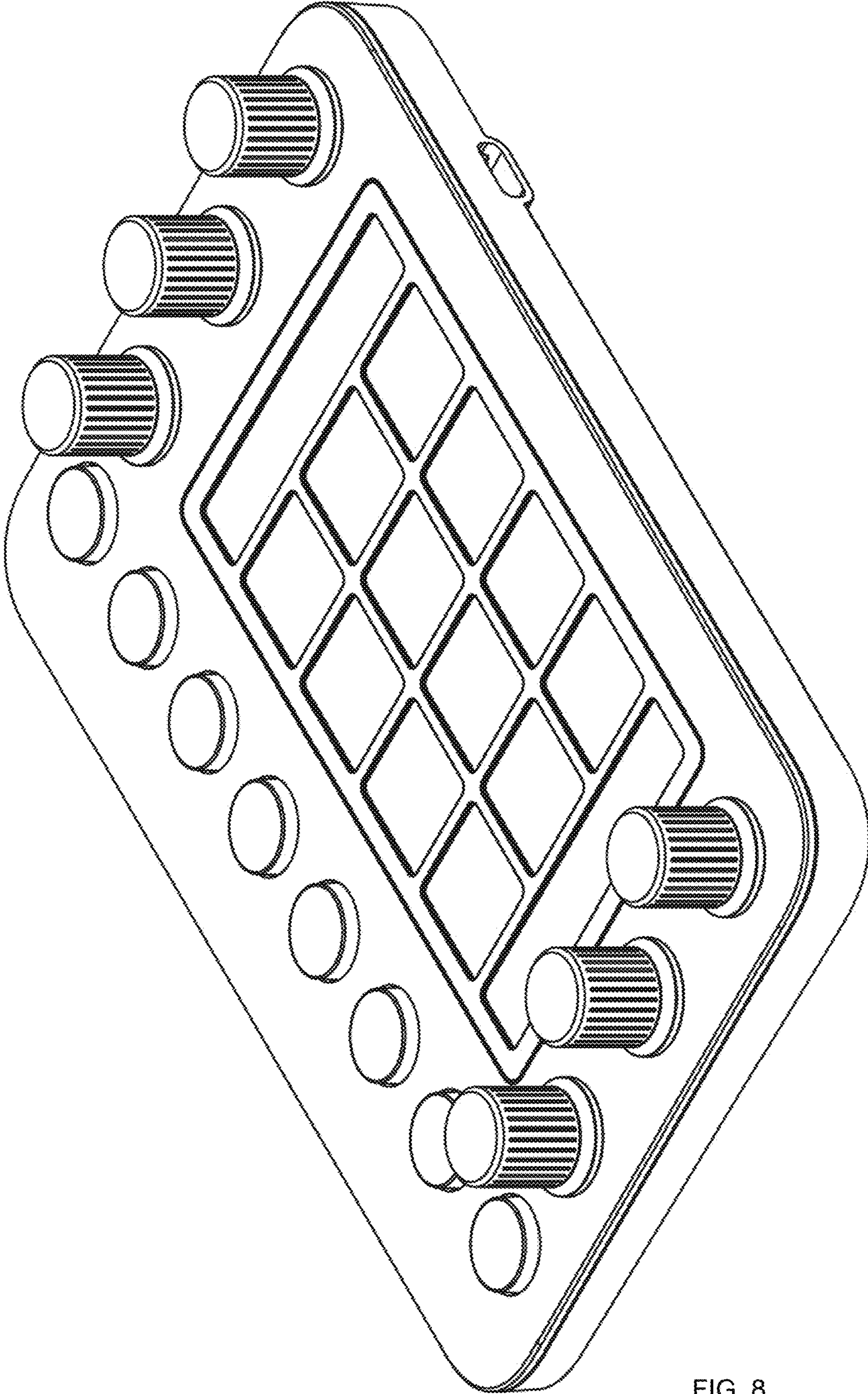


FIG. 8

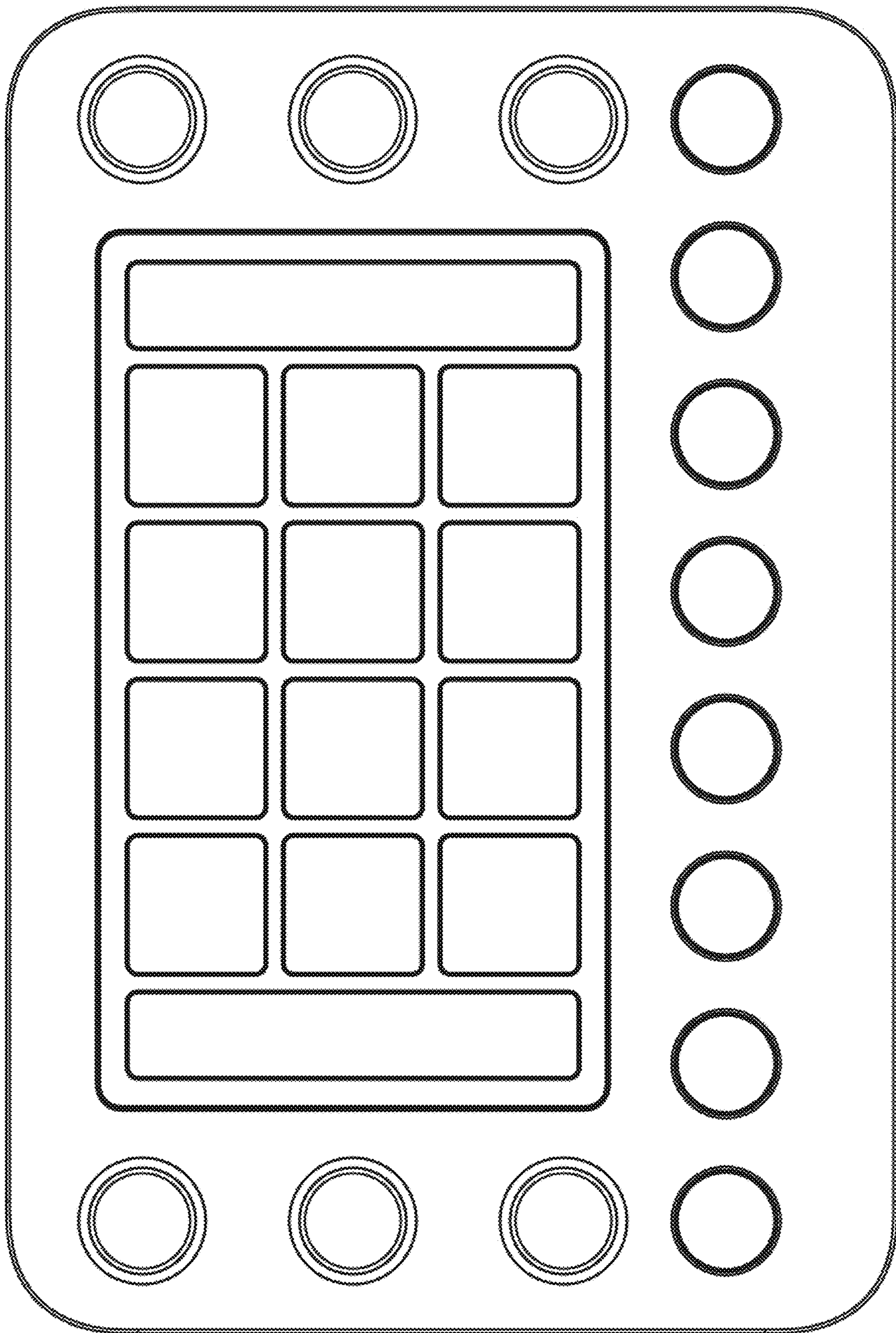


FIG. 9

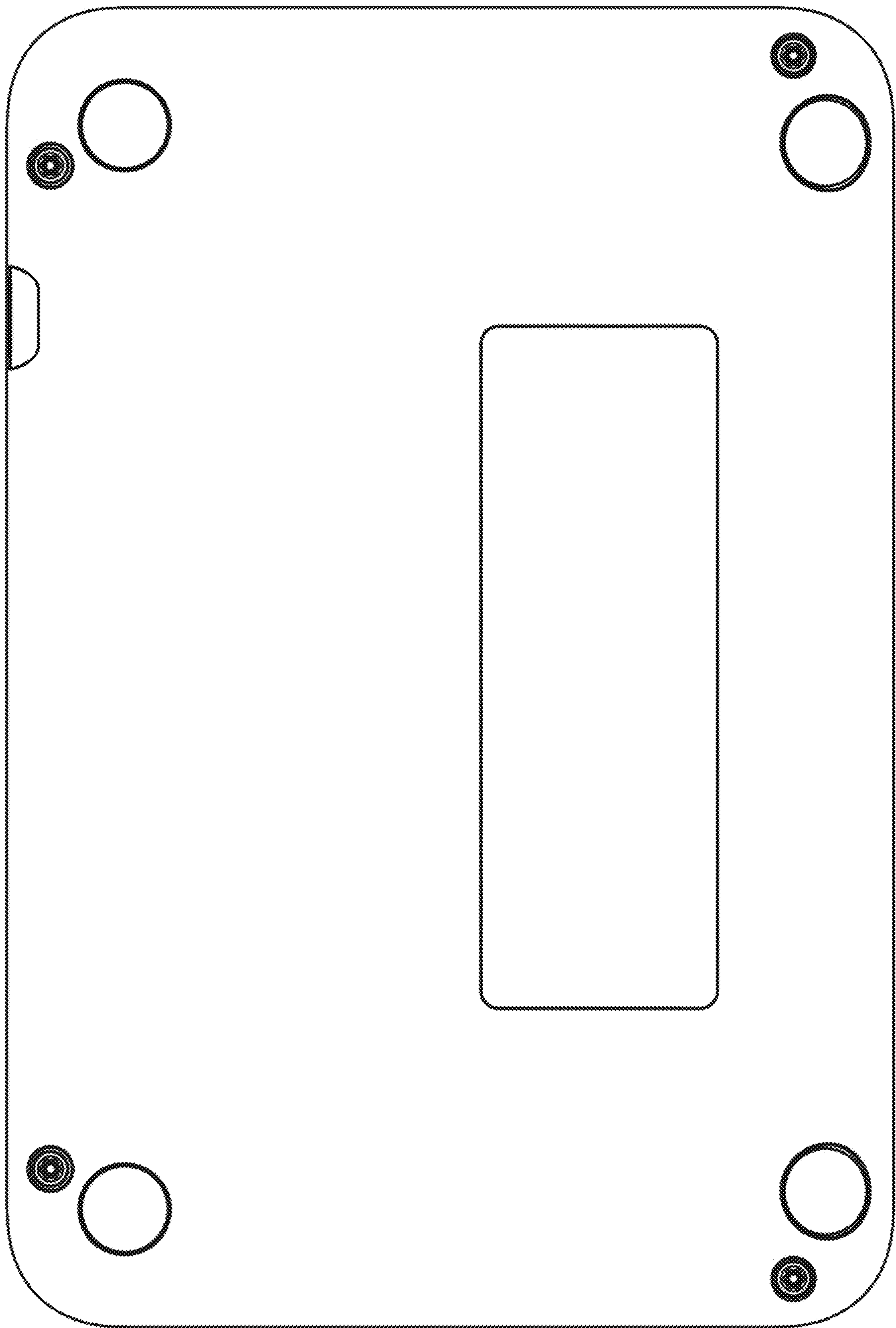


FIG. 10

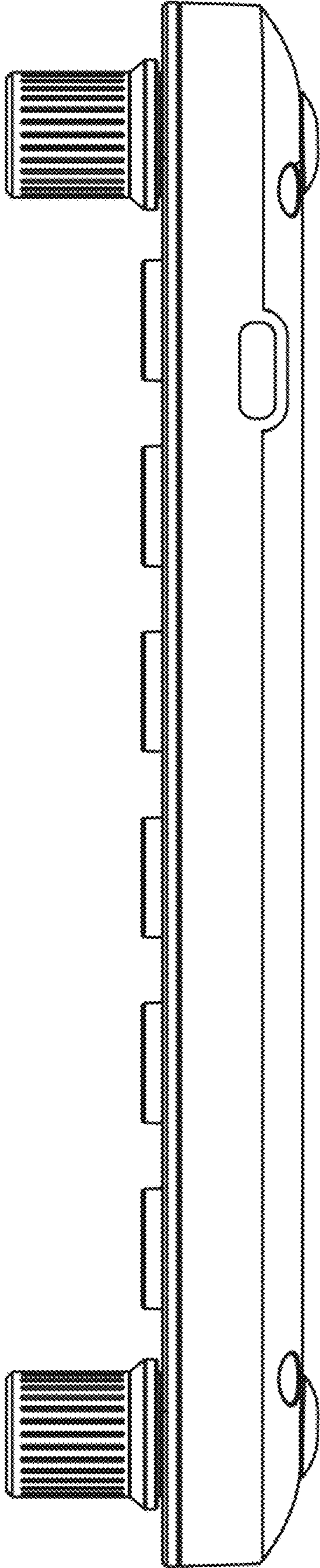


FIG. 11

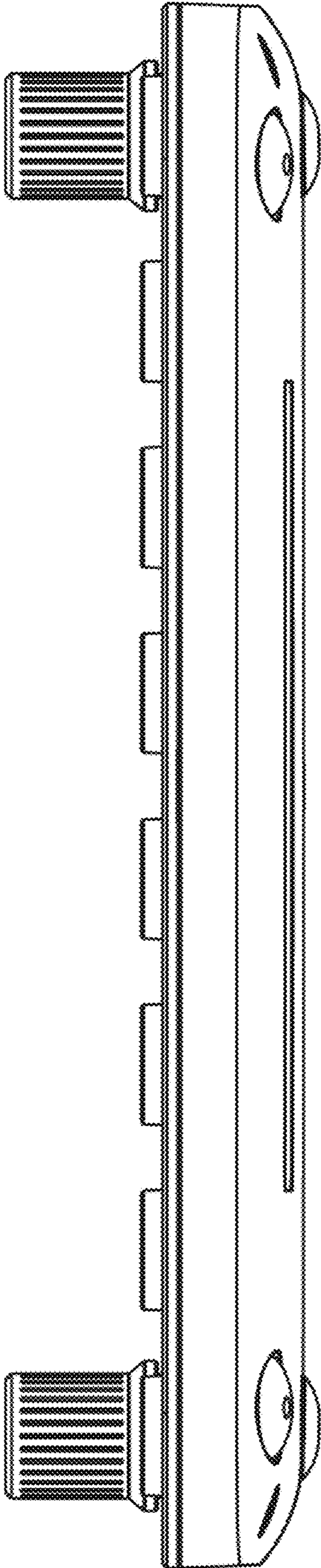


FIG. 12

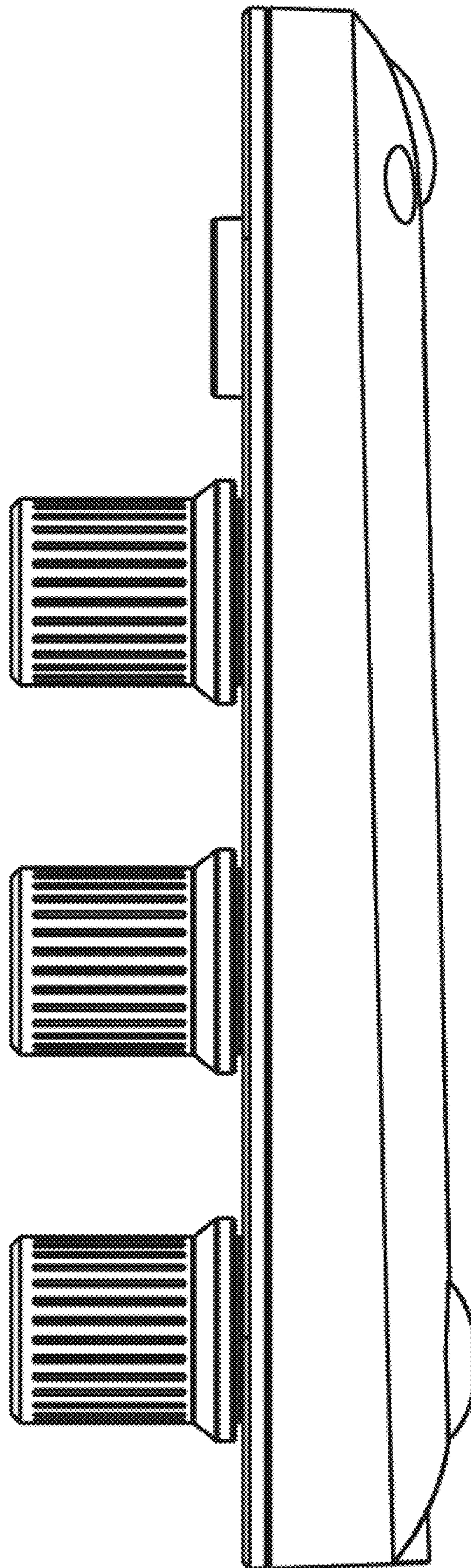


FIG. 13

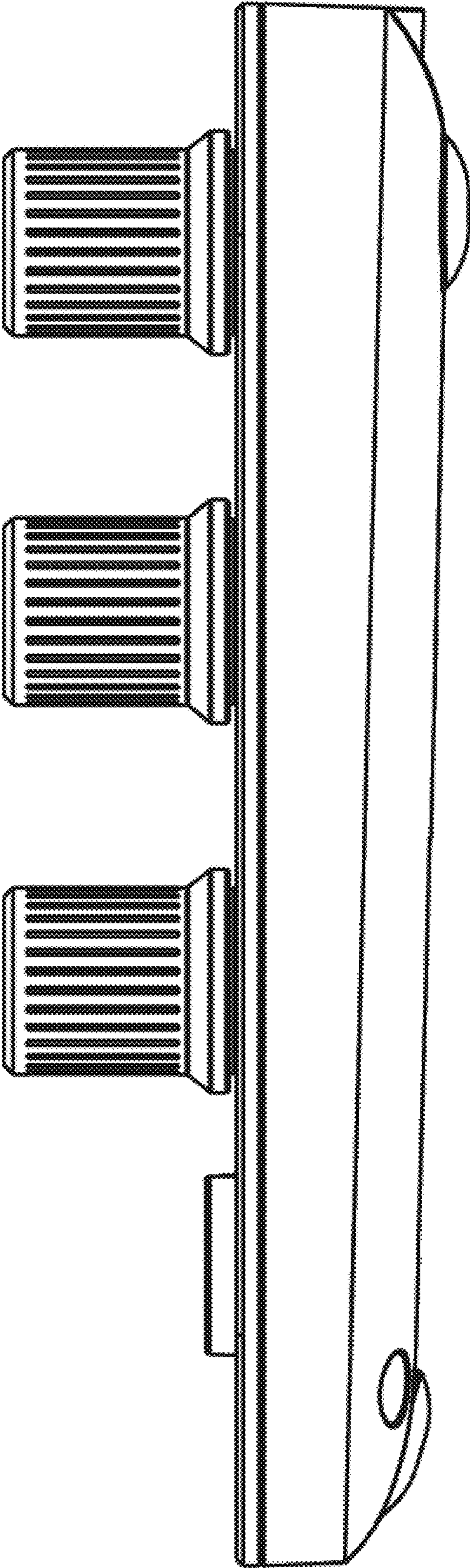


FIG. 14