



US0D1030676S

(12) **United States Design Patent** (10) **Patent No.:** **US D1,030,676 S**
Wu (45) **Date of Patent:** **** Jun. 11, 2024**

(54) **WATERPROOF CONNECTOR**

13/562; H01R 43/005; H01R 13/422;
H01R 31/06; H01R 13/6315;

(71) Applicant: **Chogori Technology Co., Ltd,**
Shenzhen (CN)

(Continued)

(72) Inventor: **Yuanze Wu,** Shenzhen (CN)

(56) **References Cited**

(73) Assignee: **Chogori Technology Co., Ltd,**
Shenzhen (CN)

U.S. PATENT DOCUMENTS

(**) Term: **15 Years**

5,906,500 A * 5/1999 Kakuta H01R 13/637
439/310
D816,616 S * 5/2018 Corona D13/149
(Continued)

(21) Appl. No.: **29/847,389**

OTHER PUBLICATIONS

(22) Filed: **Jul. 25, 2022**

Chogori NPL1, posted Oct. 6, 22 [online], [retrieved Jan. 22, 2024].
Retrieved from internet, <https://www.digikey.com/Site/Global/Layouts/DownloadPdf.ashx?pdfUrl=D7B56D2171A0486AB5F16CC2D0867A30> (Year: 2022).*
(Continued)

(30) **Foreign Application Priority Data**

Jan. 26, 2022 (CN) 202230053711.0

(51) **LOC (14) Cl.** **13-03**

(52) **U.S. Cl.**
USPC **D13/133**

(58) **Field of Classification Search**
USPC D13/107, 110, 112, 118, 123, 133, 145,
D13/147, 149, 151, 154, 156, 173, 184,
D13/199
CPC H01R 13/00; H01R 13/40; H01R 13/50;
H01R 13/52; H01R 13/62; H01R 13/64;
H01R 13/405; H01R 13/58; H01R 13/63;
H01R 13/639; H01R 13/659; H01R
13/70; H01R 24/64; H01R 13/11; H01R
13/111; H01R 13/18; H01R 13/6683;
H01R 2201/26; H01R 27/02; H01R
13/5219; H01R 13/5202; H01R 13/5045;
H01R 13/5205; H01R 13/701; H01R
13/504; H01R 13/6275; H01R 13/717;
H01R 13/5227; H01R 13/745; H01R
13/5213; H01R 13/6273; H01R 13/447;
H01R 27/00; H01R 12/718; H01R
13/512; H01R 13/4364; H01R 13/6276;
H01R 13/665; H01R 13/73; H01R
13/4367; H01R 24/58; H01R 35/04;
H01R 2103/00; H01R 13/6271; H01R

Primary Examiner — George D. Kirschbaum
Assistant Examiner — Denis Houyoux
(74) *Attorney, Agent, or Firm* — FIDELI LAW PLLC

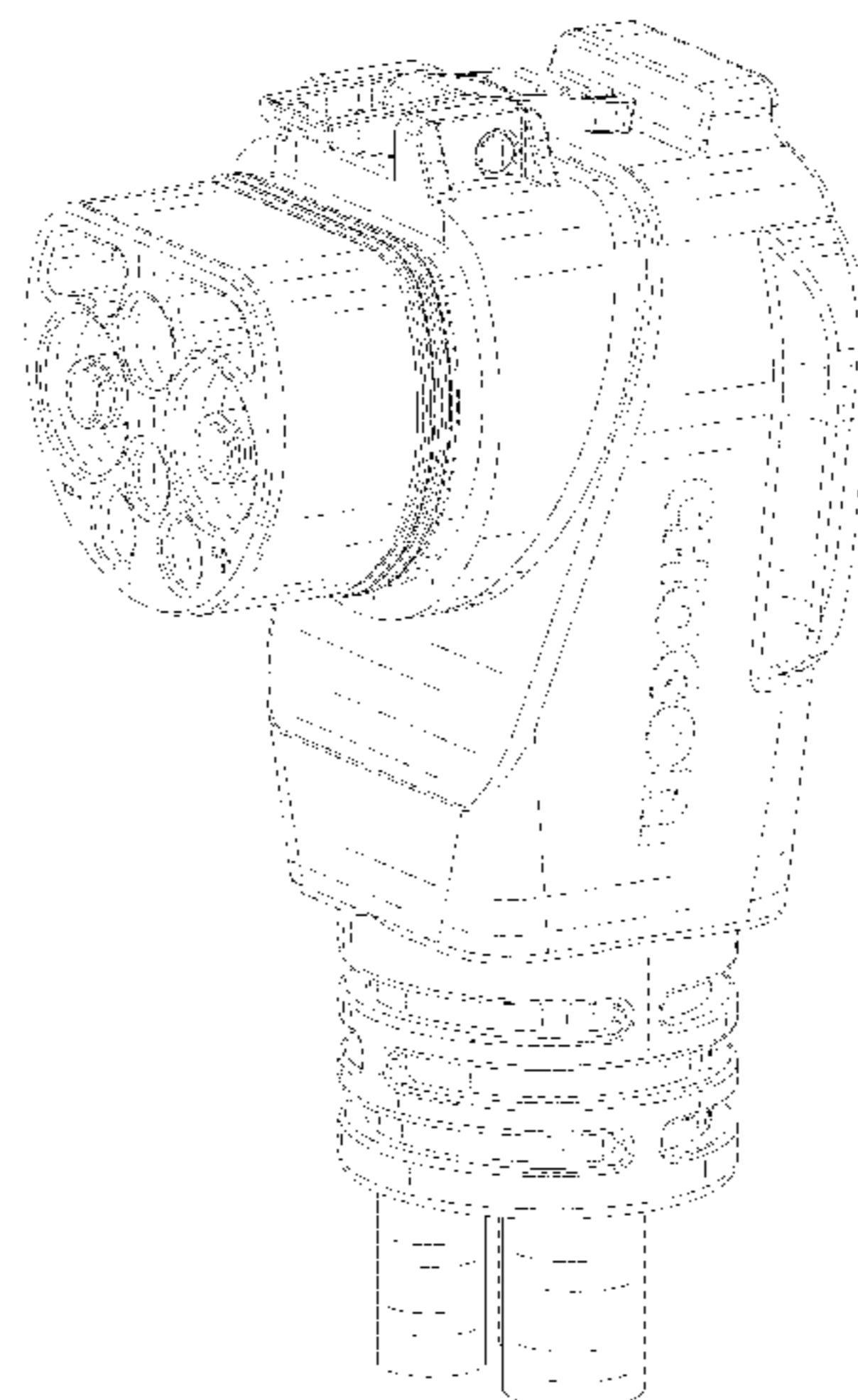
(57) **CLAIM**

The ornamental design for a waterproof connector, as shown and described.

DESCRIPTION

FIG. 1 is a perspective view of a waterproof connector, showing my new design;
FIG. 2 is another perspective view thereof;
FIG. 3 is a front view thereof;
FIG. 4 is a rear view thereof;
FIG. 5 is a left side view thereof;
FIG. 6 is a right side view thereof;
FIG. 7 is a top plan view thereof; and,
FIG. 8 is a bottom plan view thereof.

(Continued)



The broken line showing of the waterproof connector is for the purpose of illustrating portions of the article that form no part of the claimed design.

1 Claim, 8 Drawing Sheets

(58) **Field of Classification Search**

CPC .. H01R 13/748; B60L 53/16; B60L 2240/36;
B60L 2270/34; B60L 2270/32; B60L
2240/667; Y02T 10/7072; Y02T 90/14;
Y02T 10/70; Y02T 90/16; Y02T 10/72;
Y10T 29/49176; Y10T 29/49959; G02B
6/3816; G02B 6/389; G02B 6/3825;
G02B 6/3893; G02B 6/3897; G02B
6/3894; G02B 6/3891

See application file for complete search history.

(56)

References Cited

U.S. PATENT DOCUMENTS

2012/0171887 A1* 7/2012 Sebald B60L 53/16
29/858
2013/0105219 A1* 5/2013 Osawa H01R 13/5208
174/77 R
2022/0324342 A1* 10/2022 Ke H01R 13/5816

OTHER PUBLICATIONS

Article Name, posted Apr. 2023 [online], [retrieved Jan. 22, 2024]. Retrieved from internet, <https://s-pintl.com/featured-product-chogori-banga-x100/> (Year: 2023).*

Chogori magazine NPL, posted Jan. 22, 2024 [online], [retrieved Jan. 22, 2024]. Retrieved from internet, <https://online.flippingbook.com/view/4755326/46> (Year: 2024).*

* cited by examiner

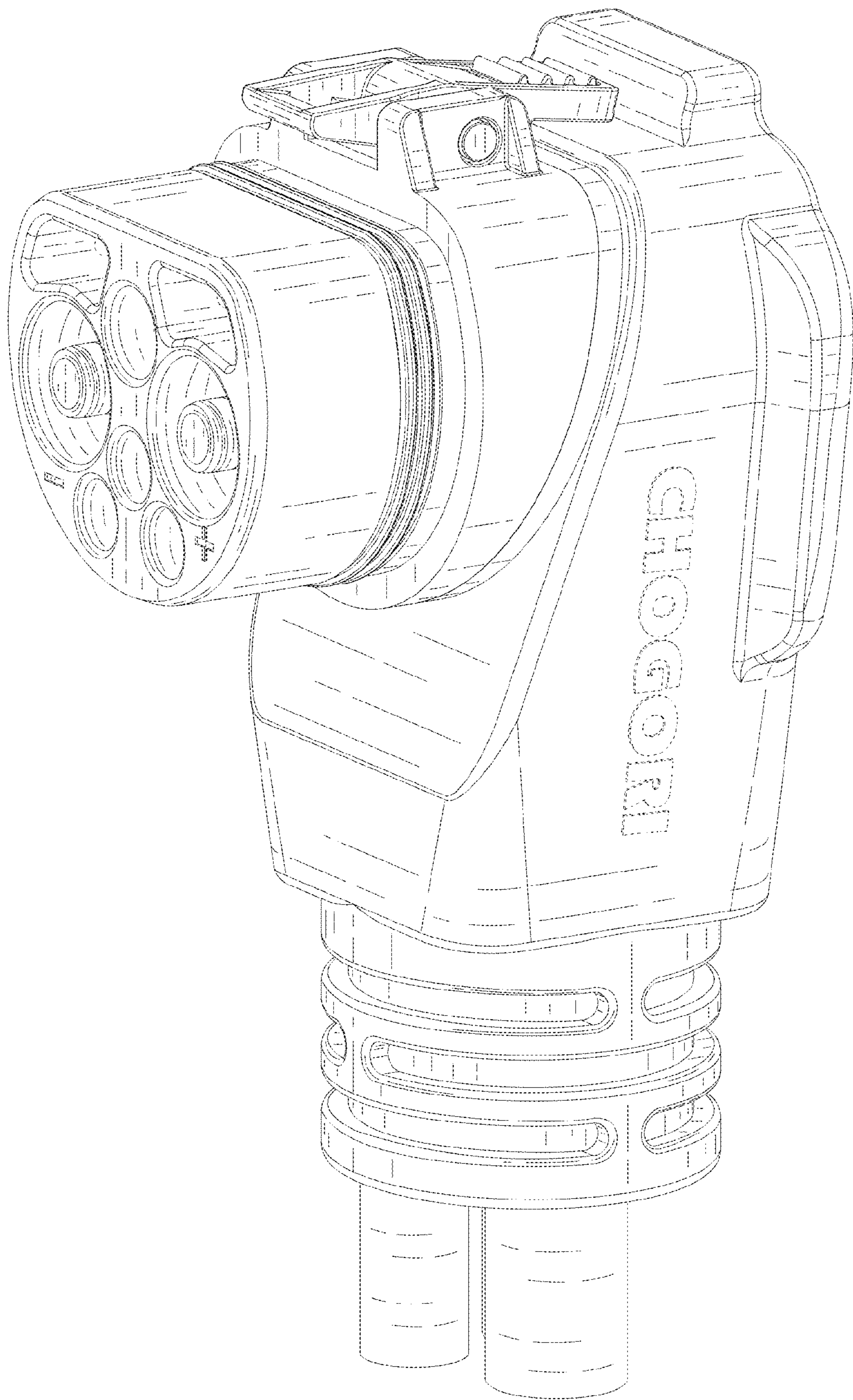


FIG. 1

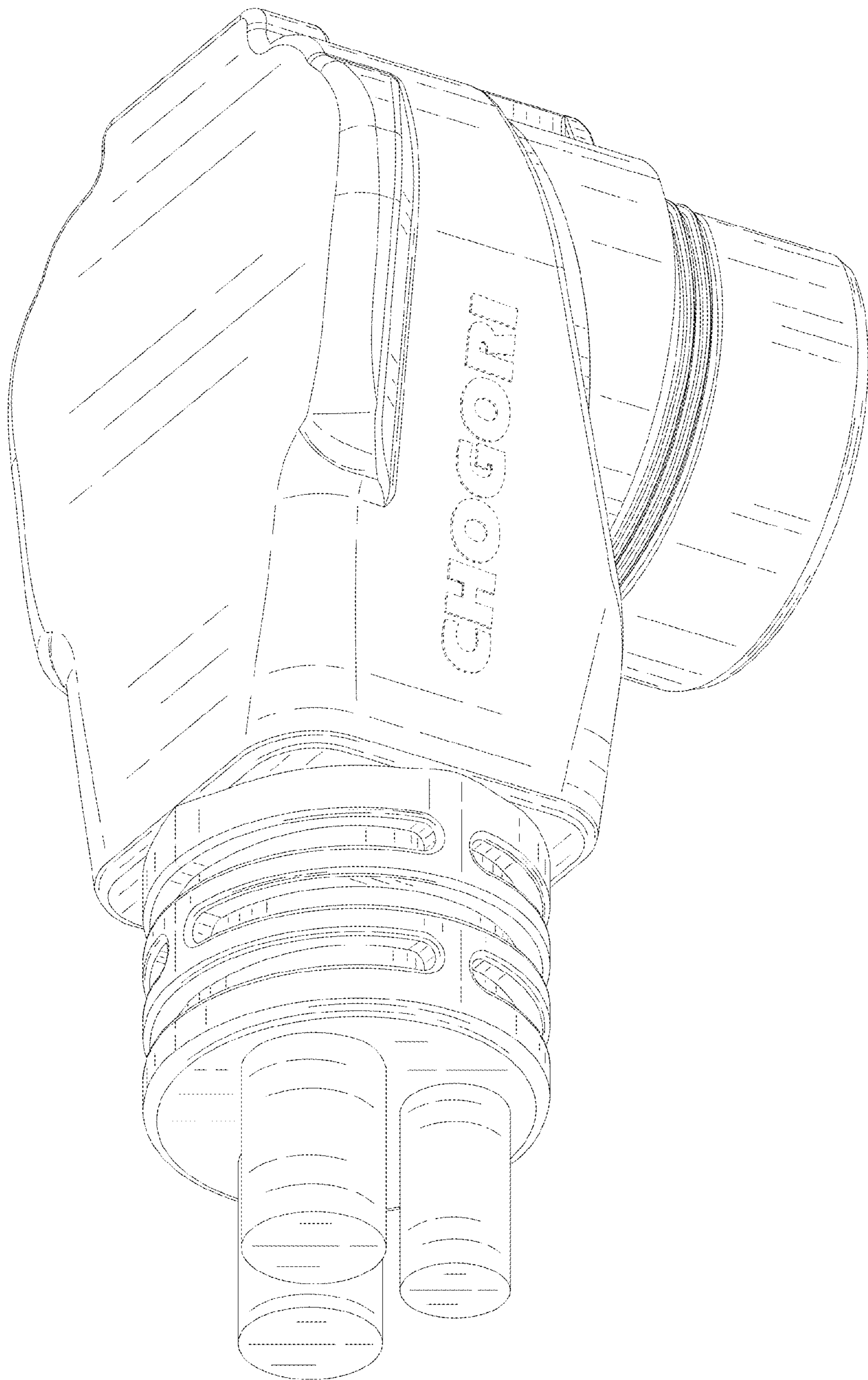


FIG. 2

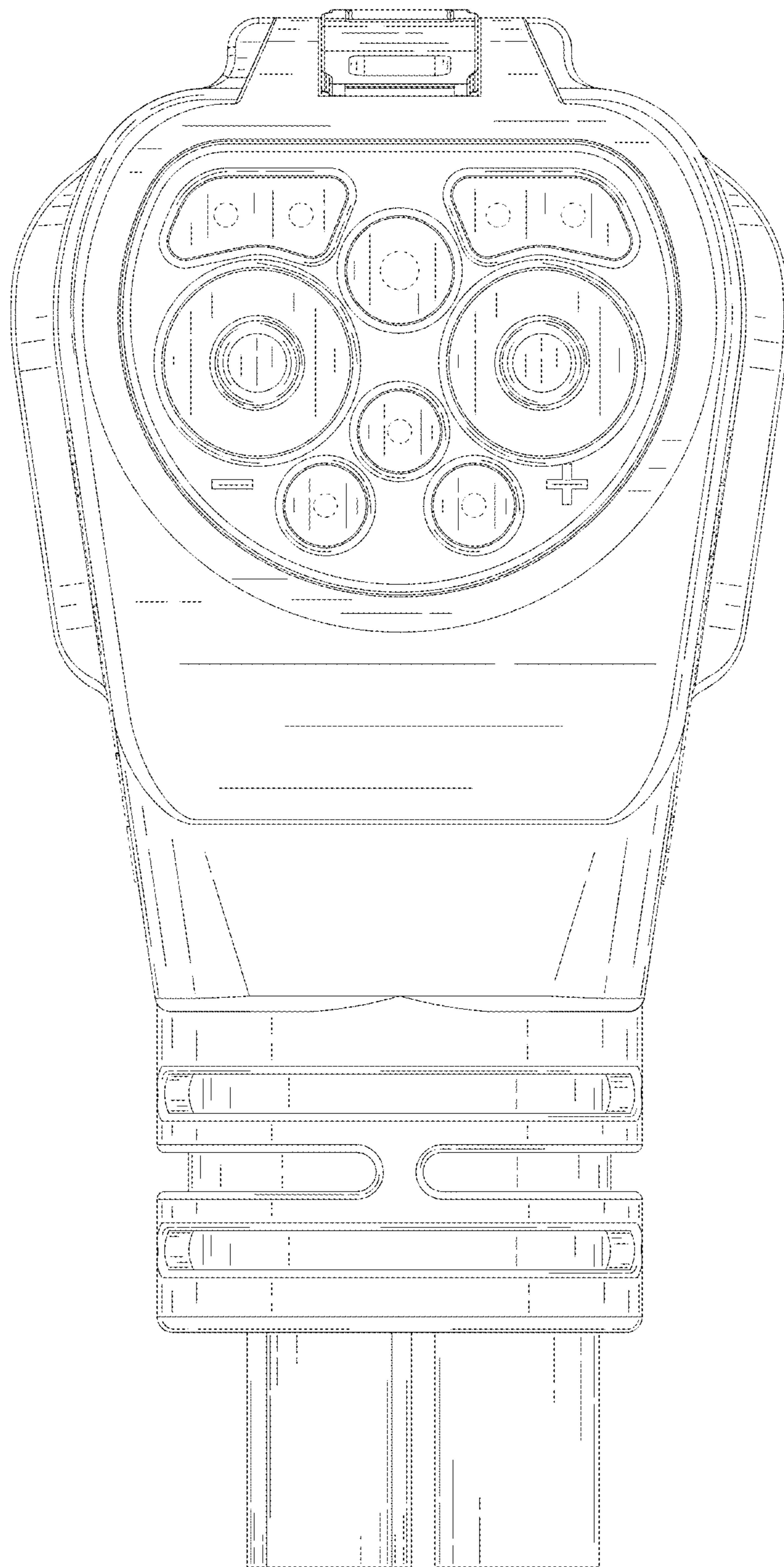


FIG. 3

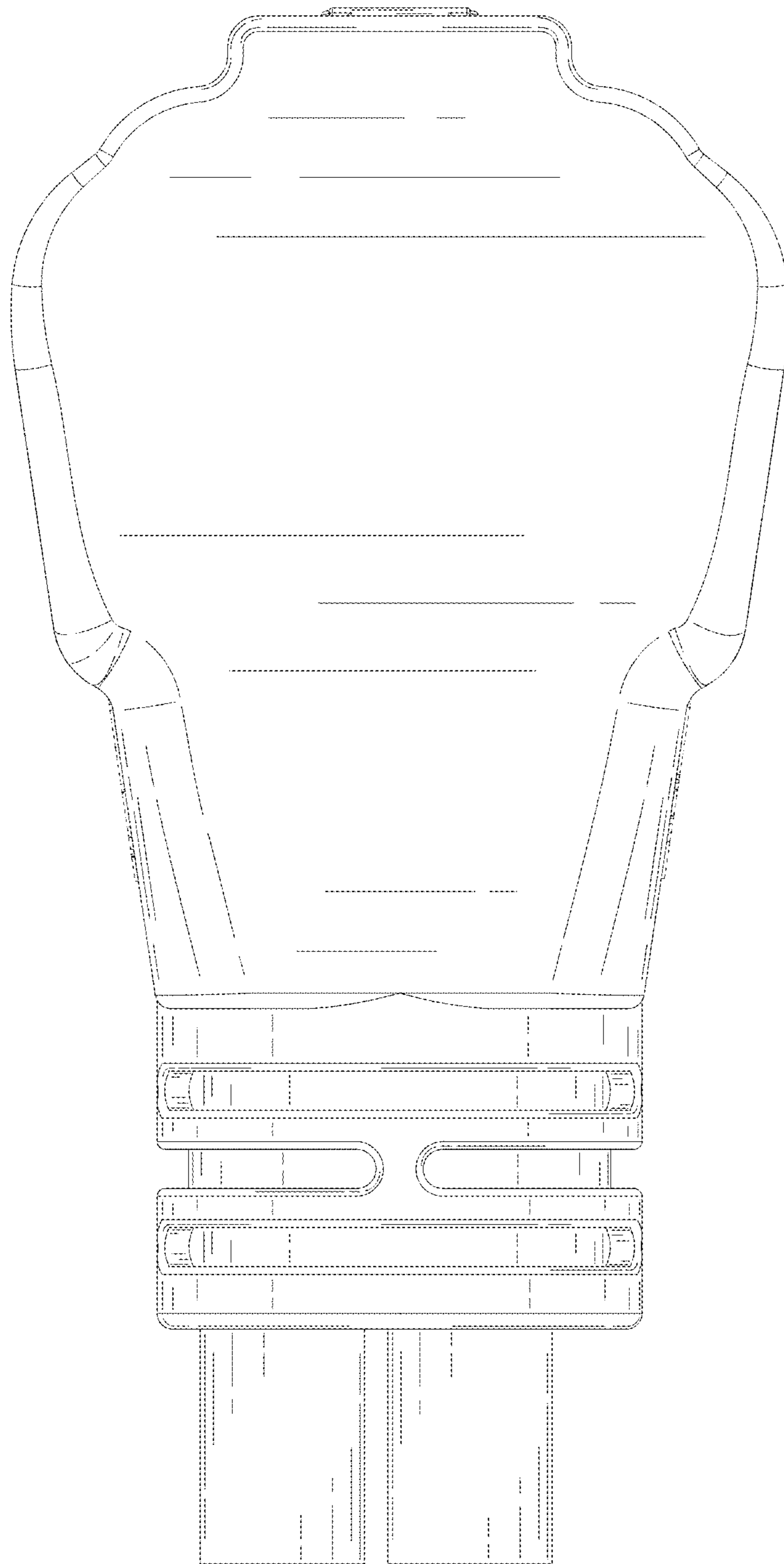


FIG. 4

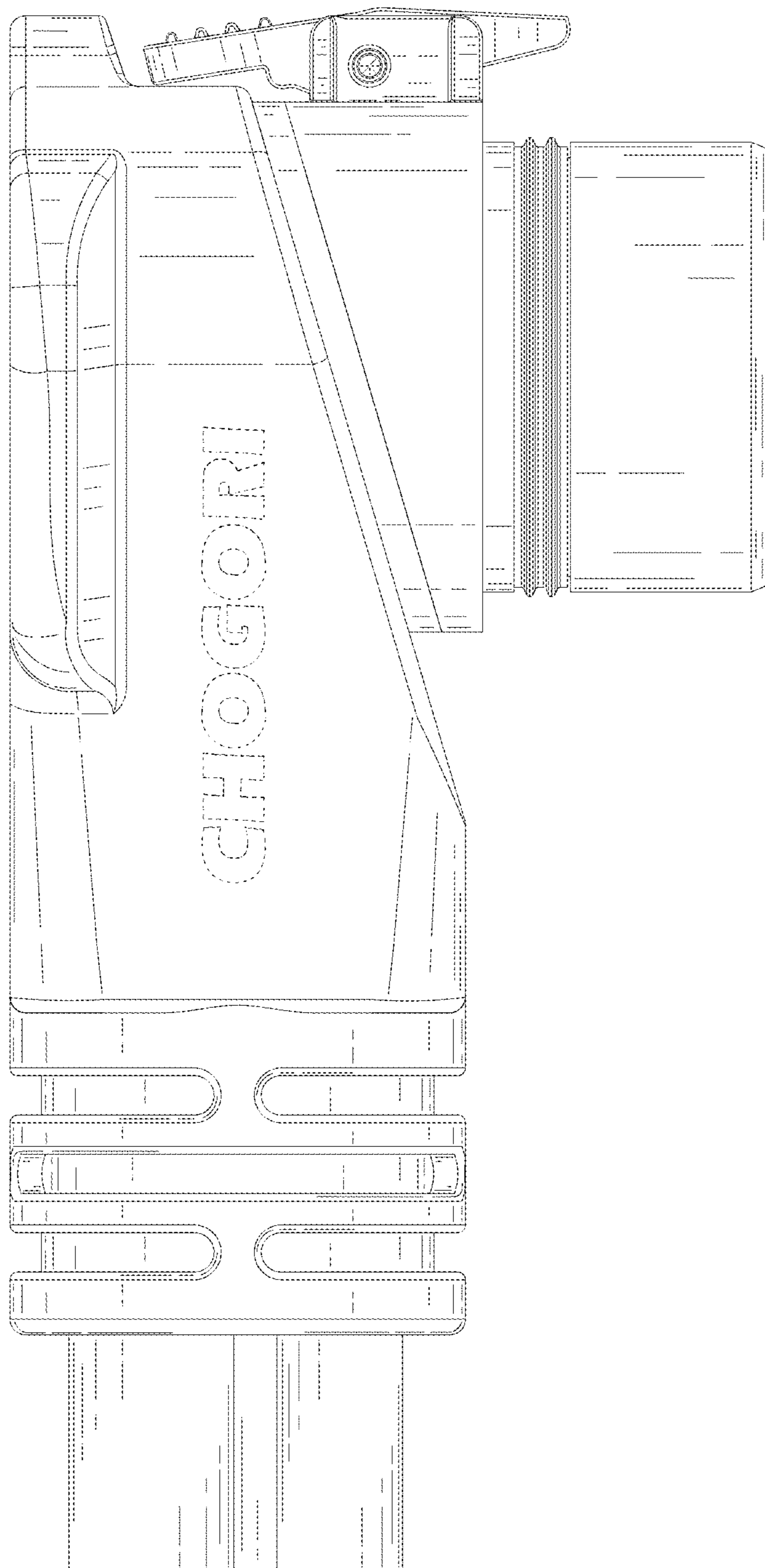


FIG. 5

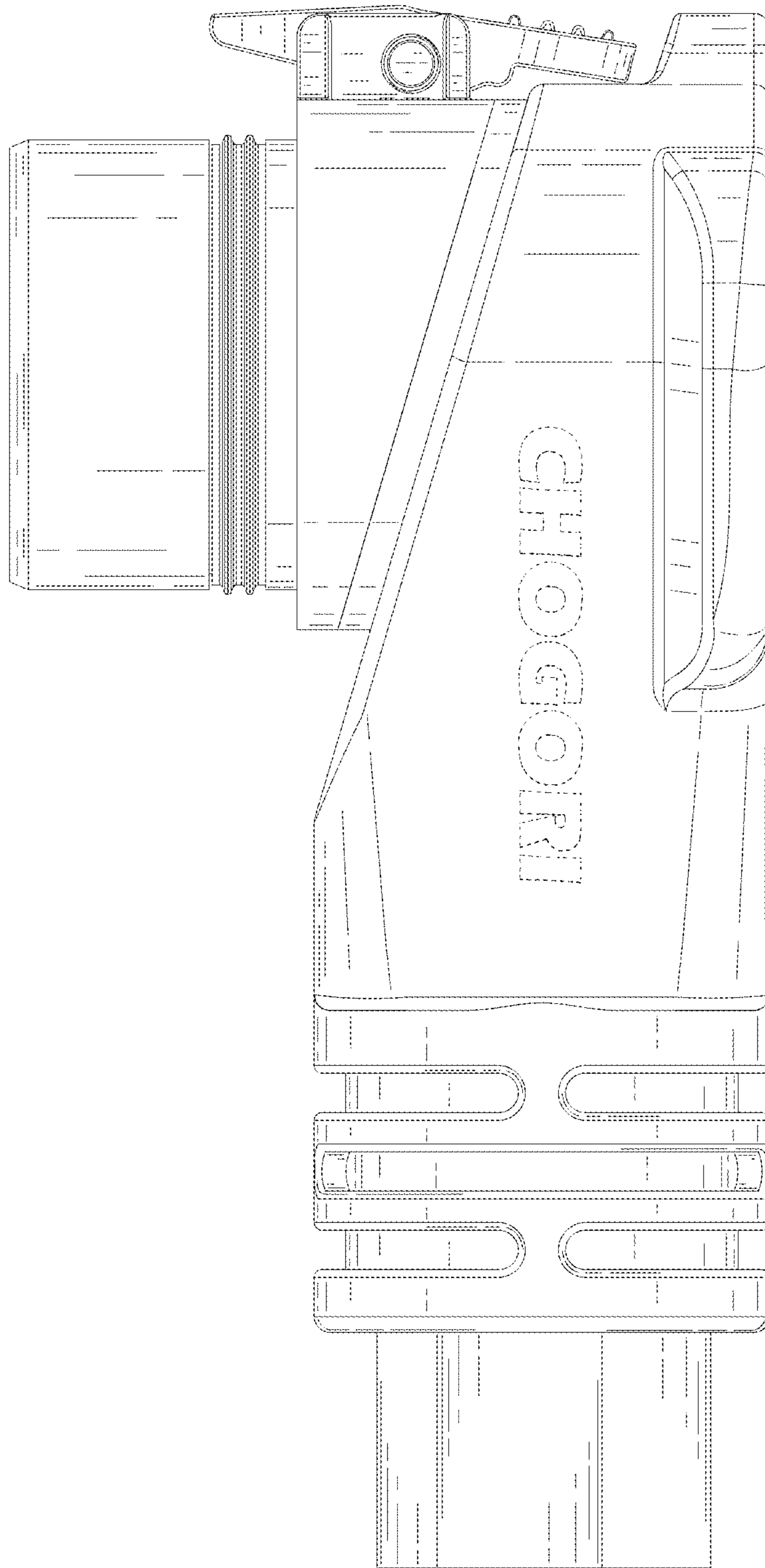


FIG. 6

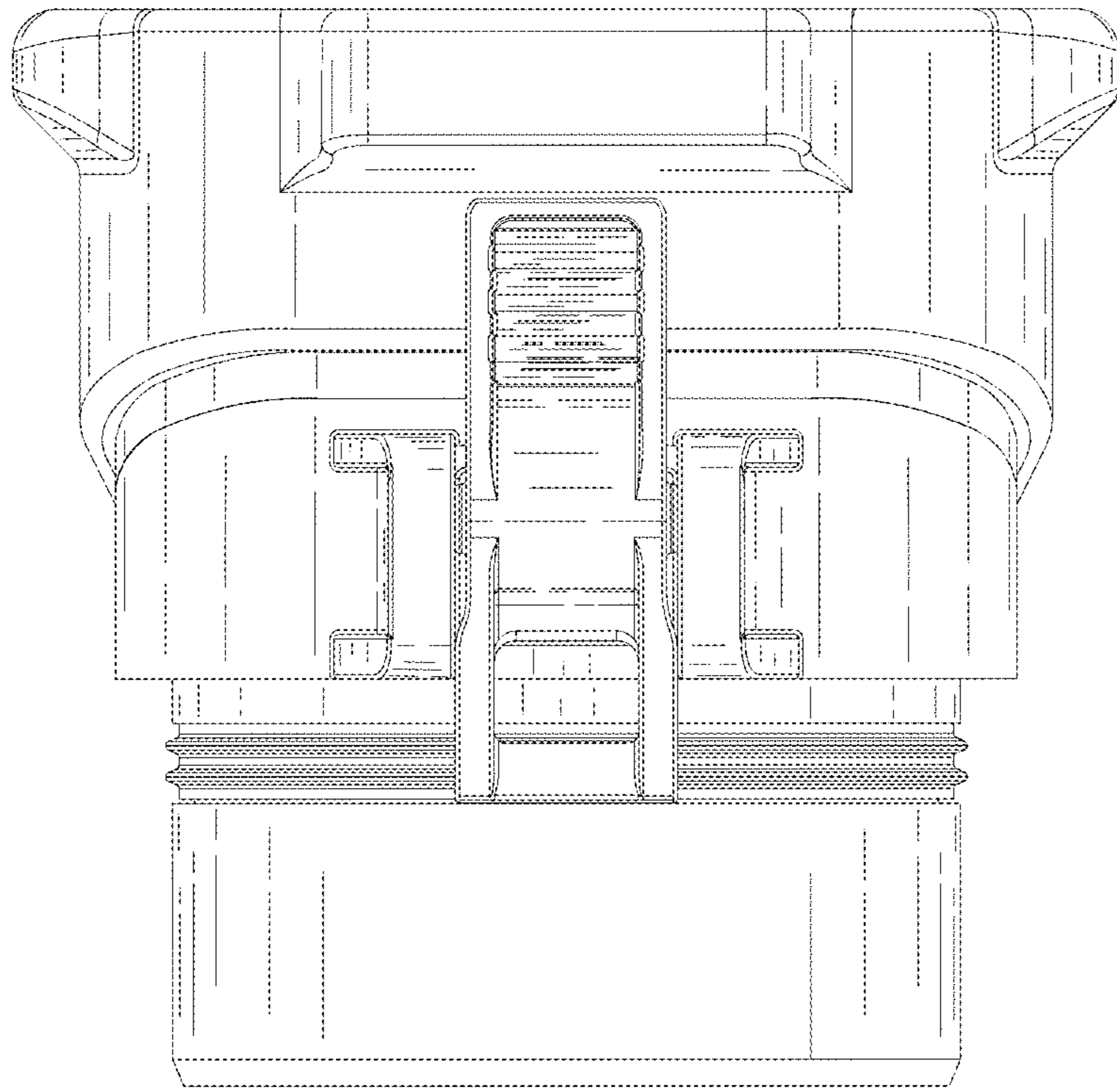


FIG. 7

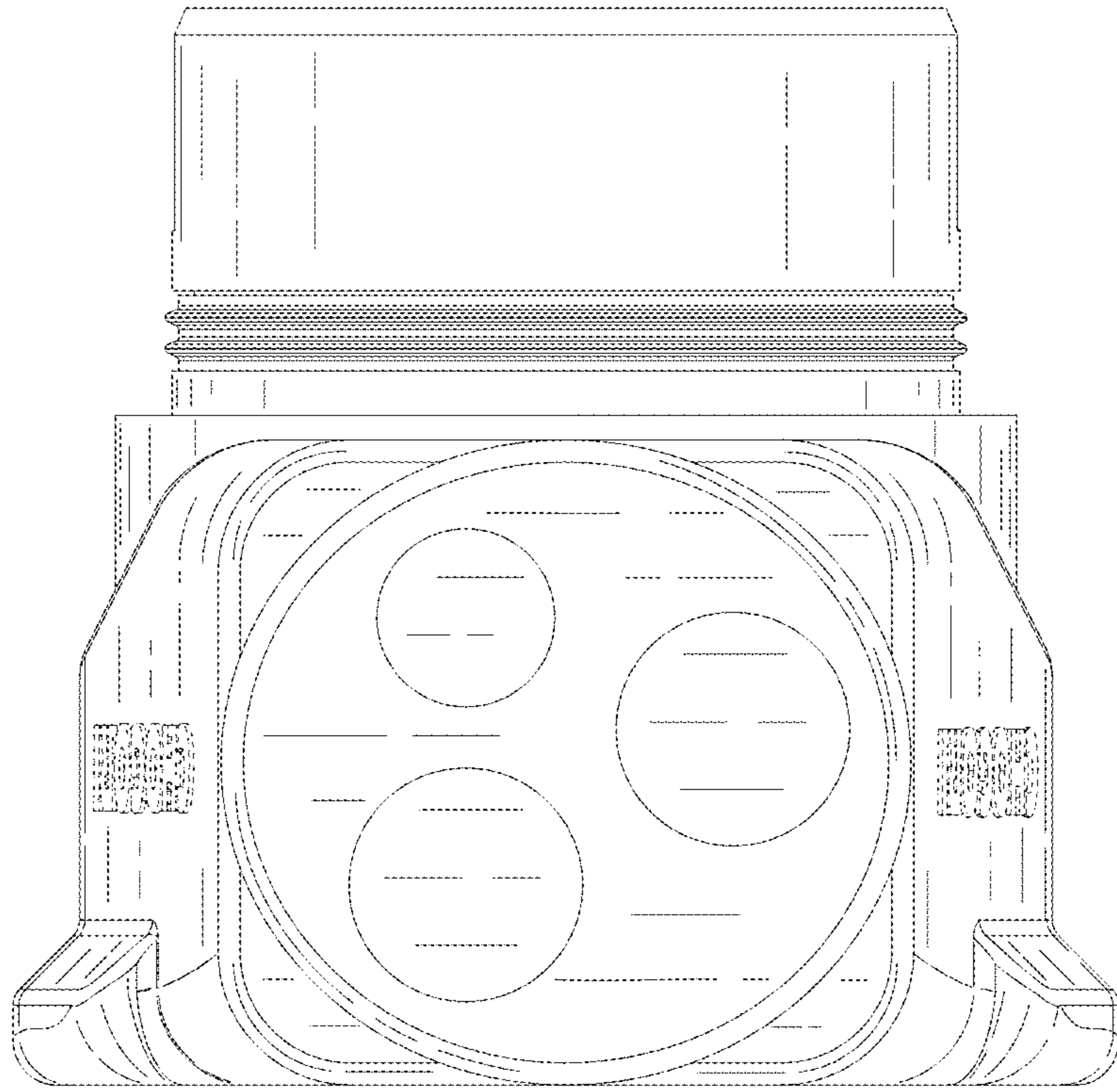


FIG. 8