



US0D1030607S

(12) **United States Design Patent** (10) **Patent No.:** **US D1,030,607 S**
Oliver et al. (45) **Date of Patent:** **** Jun. 11, 2024**

(54) **FRAMELESS TOP TRIM**

(71) Applicant: **Taylor Made Group, LLC**,
Gloversville, NY (US)

(72) Inventors: **Michael Oliver**, Kilcormac (IE); **Eric Wagner**, Clonmel (IE); **Joseph Duggan**, Kildare (IE)

(73) Assignee: **TAYLOR MADE GROUP, LLC**,
Gloversville, NY (US)

(**) Term: **15 Years**

(21) Appl. No.: **29/841,518**

(22) Filed: **Jun. 7, 2022**

(51) **LOC (14) Cl.** **12-11**

(52) **U.S. Cl.**
USPC **D12/317**

(58) **Field of Classification Search**
USPC D12/317, 190, 181, 196, 400, 114, 86,
D12/300, 318; D25/119, 121-125
CPC B60R 21/215; B60R 21/205
See application file for complete search history.

(56) **References Cited**

U.S. PATENT DOCUMENTS

D505,909 S *	6/2005	Erskine	D12/317
D636,313 S *	4/2011	Schlater	D12/190
D636,314 S *	4/2011	Wang	D12/190
D660,755 S *	5/2012	Inoue	D12/190
2020/0079312 A1 *	3/2020	Stroebe	B60R 21/205
2022/0410819 A1 *	12/2022	Bauer	B60R 21/213

OTHER PUBLICATIONS

“Stickgoo 22ft Peel and Stick Trim Molding, Premium Self-Adhesive Wall Trim for Tile Edges, Furniture Accent” amazon.com, post Published Apr. 6, 2023. Retrieved Dec. 8, 2023. Available

online at URL:https://www.amazon.com/STICKGOO-Molding-Self-Adhesive-Furniture-Backsplash/dp/B0C1MLP6QZ/ref=sr_1_19? (Year: 2023).*

“20 Ft Peel and Stick Trim Flexible Self-Adhesive Tile Edge Semicircle Waterproof Trim Tile Edge Liner for Kitchen” amazon.com, post Published Jan. 17, 2022. Retrieved Dec. 8, 2023. Available online at URL:https://www.amazon.com/Self-Adhesive-Semicircle-Waterproof-Backsplash-Countertop/dp/B09QK (Year: 2022).*

* cited by examiner

Primary Examiner — Christian P. McLean
Assistant Examiner — Jessica Lynn Devilbiss
(74) *Attorney, Agent, or Firm* — NIXON & VANDERHUYE P.C.

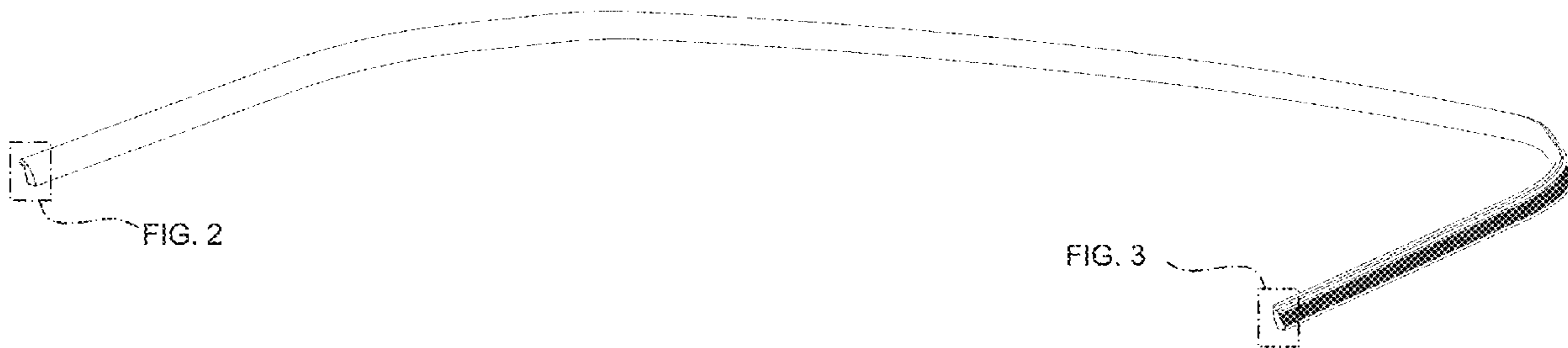
(57) **CLAIM**

The ornamental design for a frameless top trim, as shown and described.

DESCRIPTION

FIG. 1 is a perspective view of a frameless top trim according to an exemplary embodiment;
FIG. 2 is a close-up view of a cross-section on one side;
FIG. 3 is a close-up view of a cross-section on an opposite side;
FIG. 4 is a right side view thereof;
FIG. 5 is a left side view thereof;
FIG. 6 is a top view thereof;
FIG. 7 is a bottom view thereof;
FIG. 8 is a front view thereof;
FIG. 9 is a rear view thereof; and,
FIG. 10 is another perspective view thereof.
The broken lines illustrate the periphery of the enlarged views of the frameless top trim that form no part of the claimed design.

1 Claim, 8 Drawing Sheets



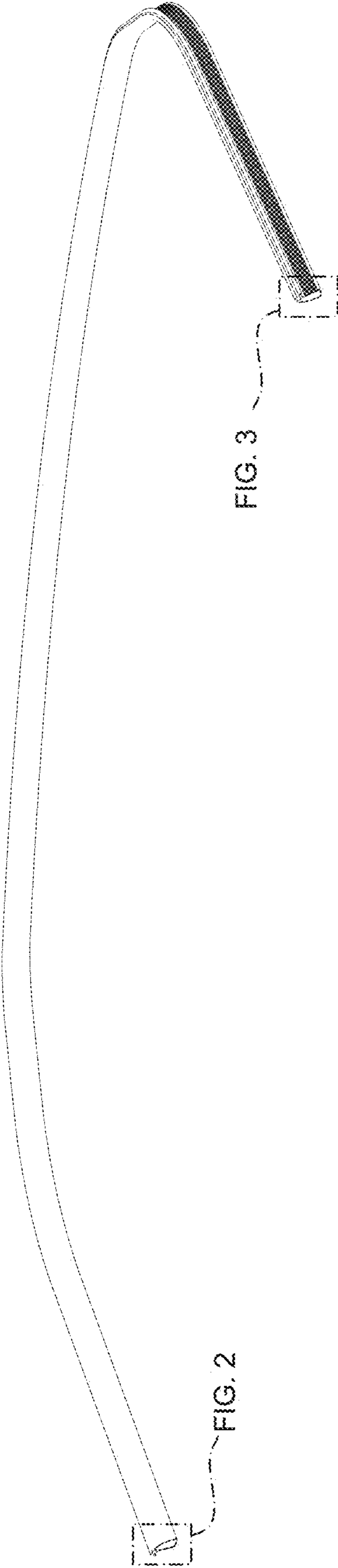


FIG. 1

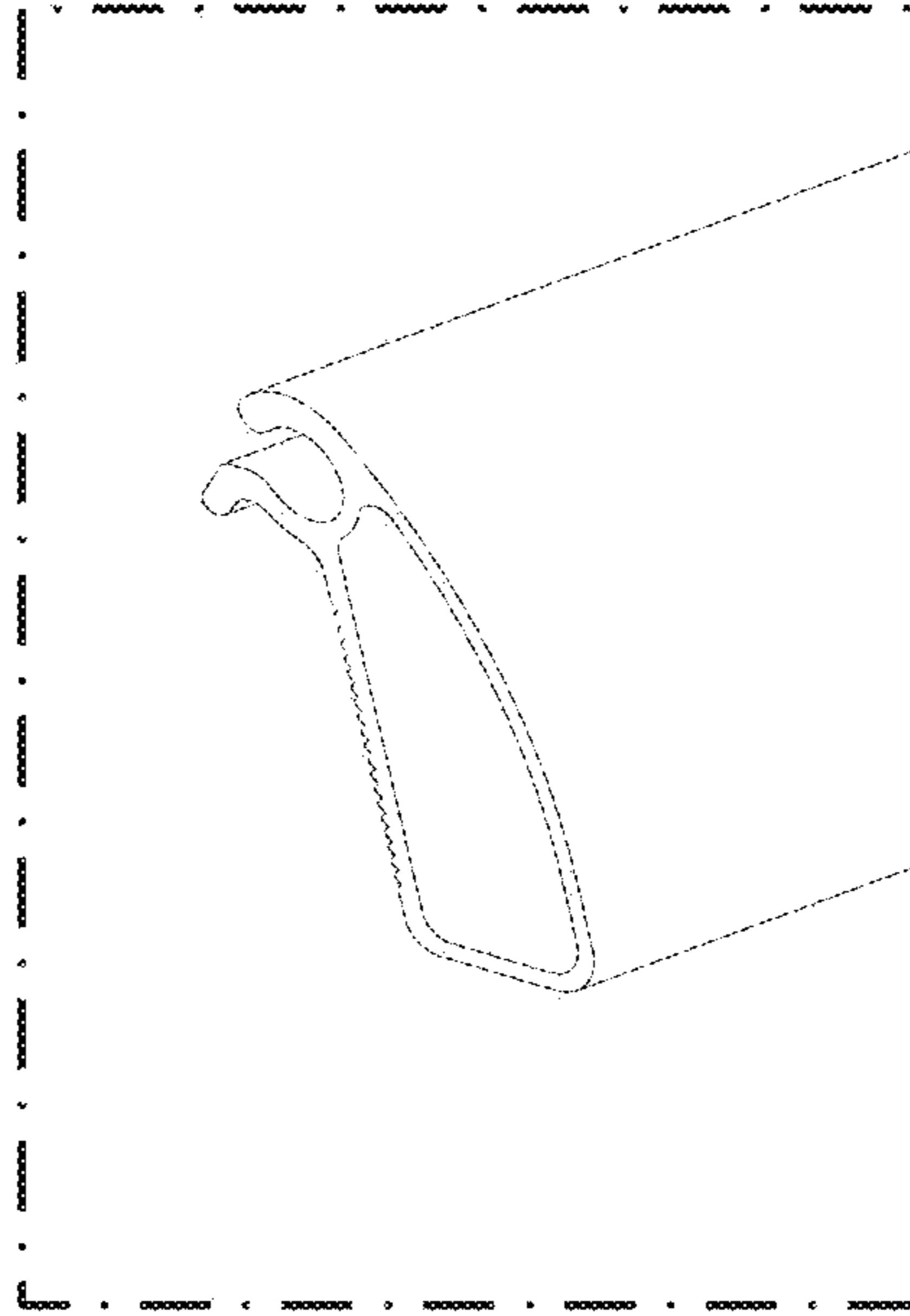


FIG. 2

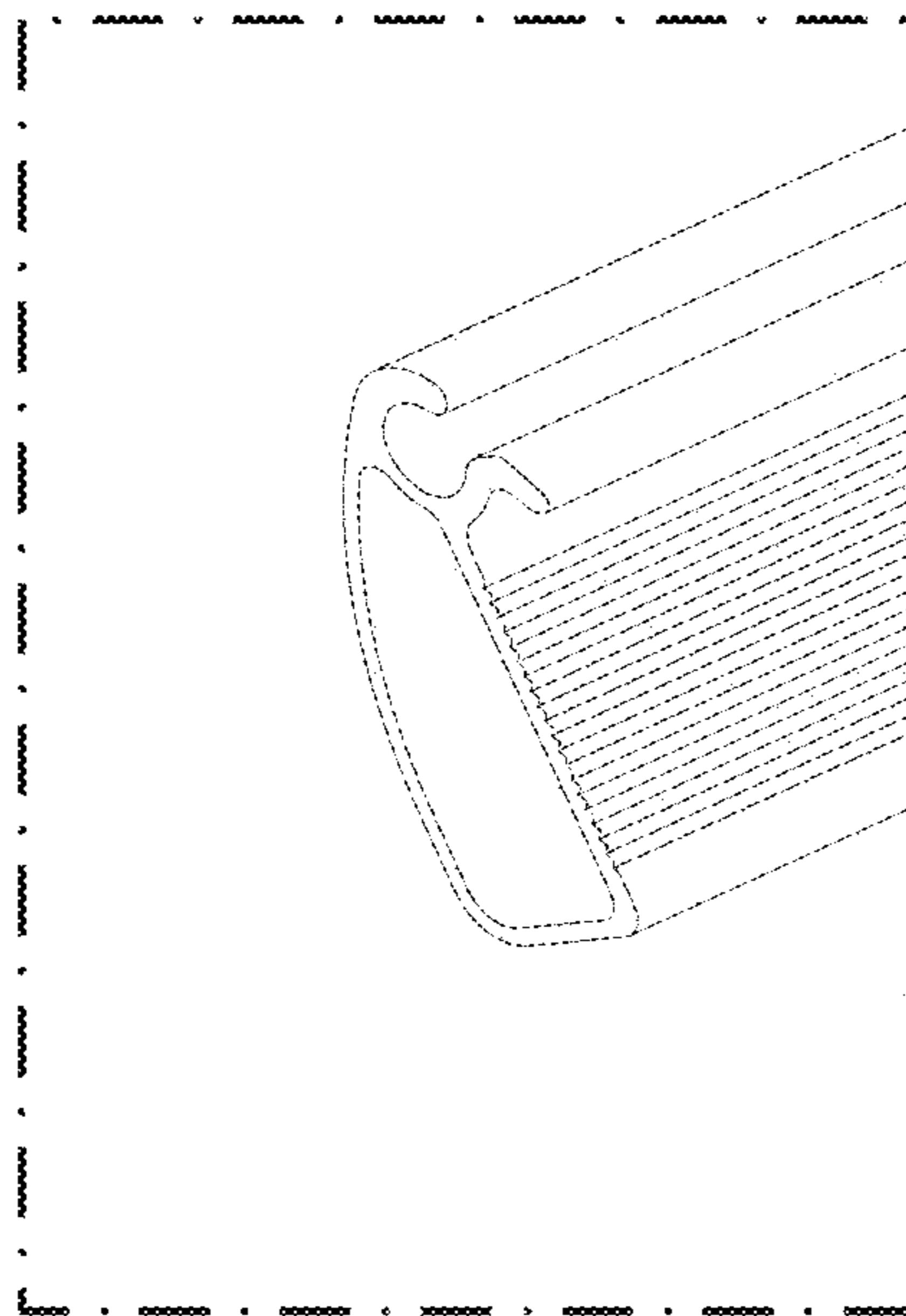


FIG. 3

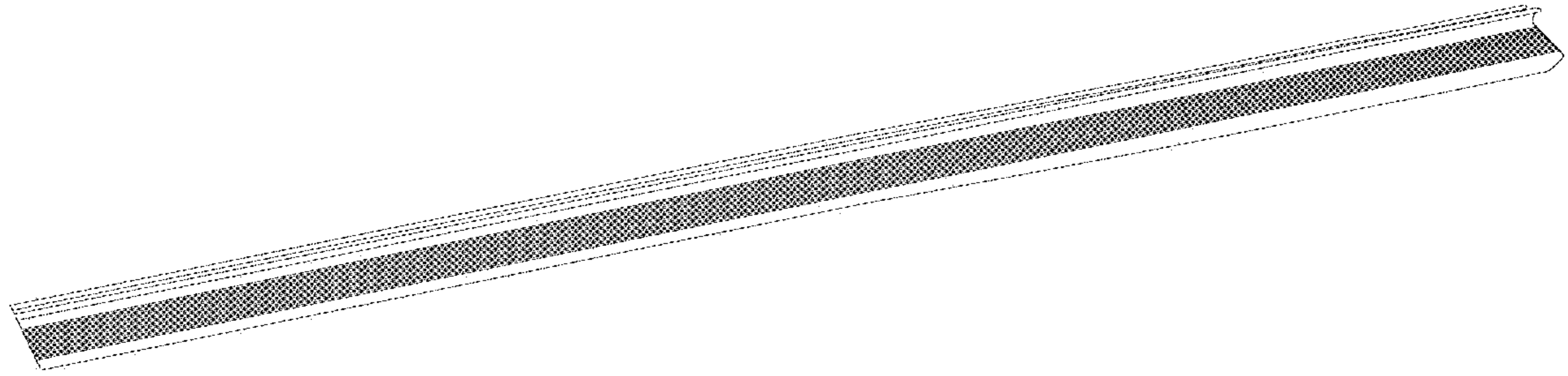


FIG. 4

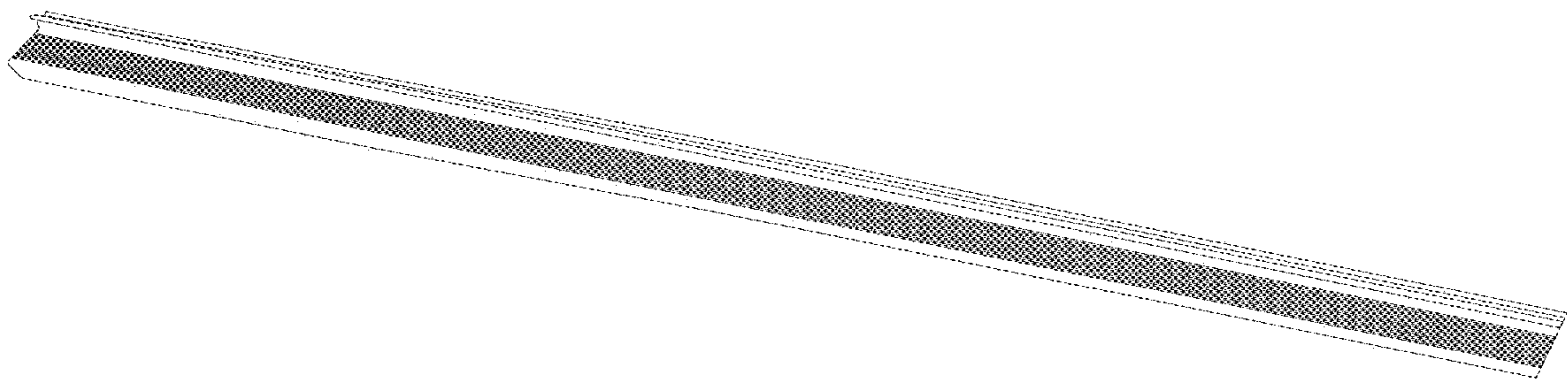


FIG. 5



FIG. 6

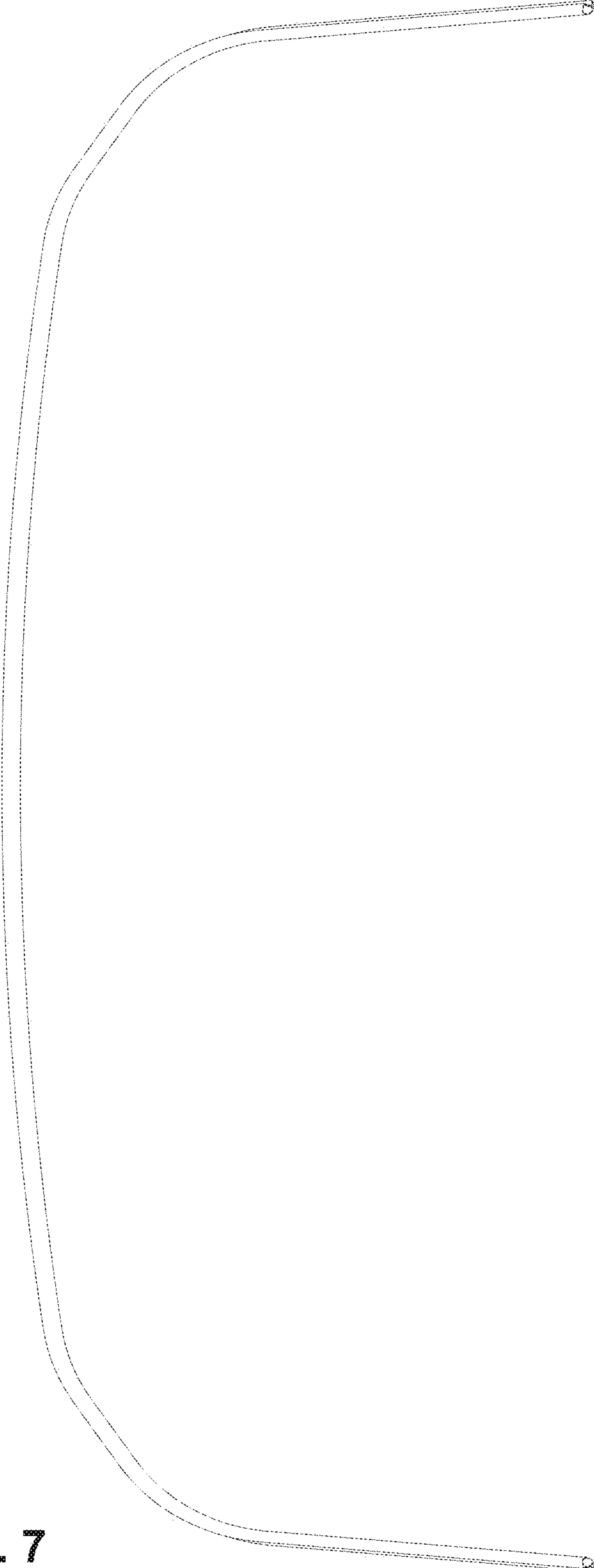


FIG. 7

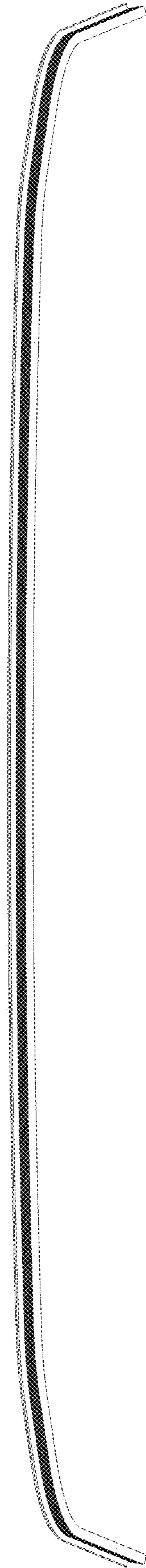


FIG. 8

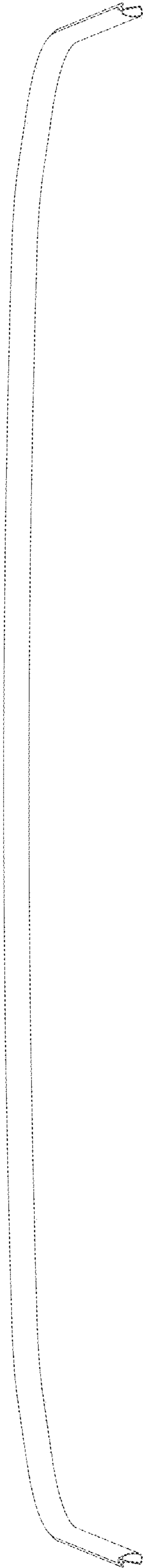


FIG. 9

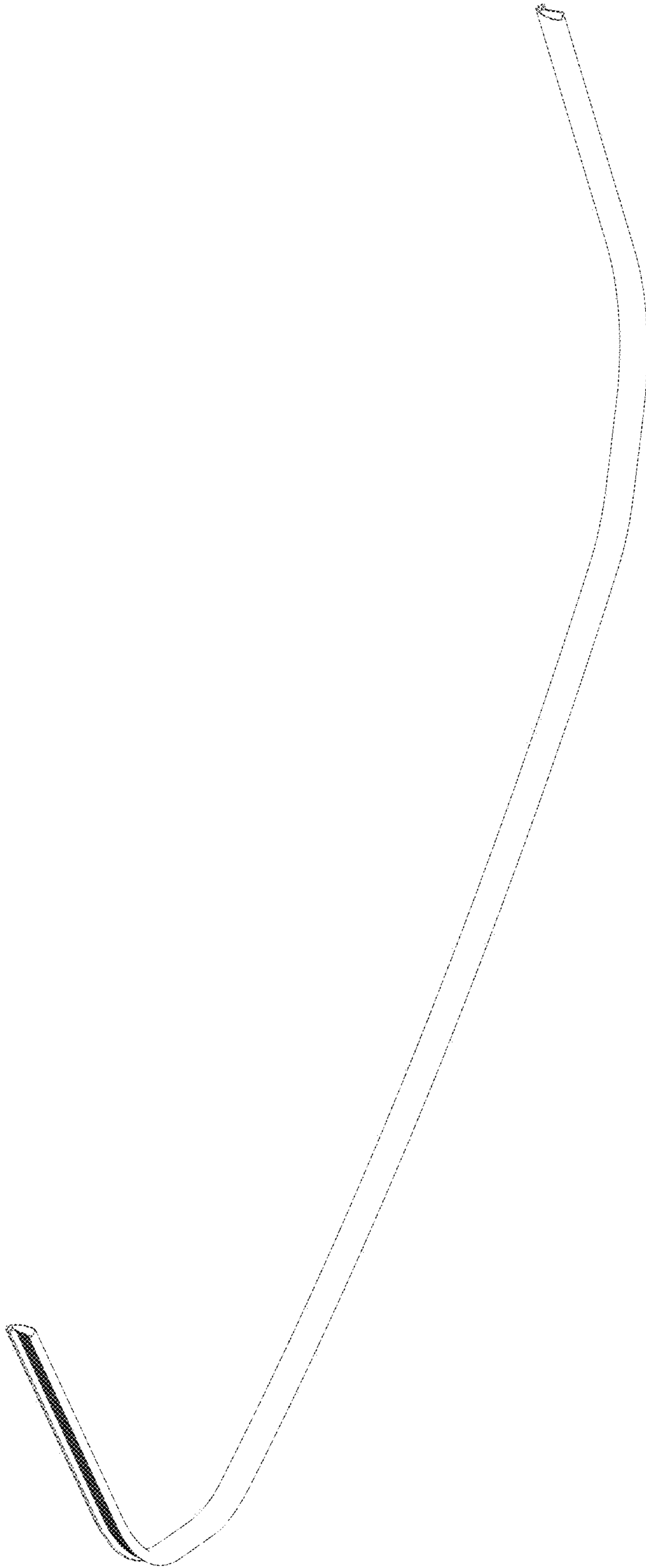


FIG. 10