



US0D1030569S

(12) **United States Design Patent** (10) **Patent No.:** **US D1,030,569 S**  
**Heilaneh et al.** (45) **Date of Patent:** **\*\* Jun. 11, 2024**

(54) **AIR INTAKE GRILLE**

FOREIGN PATENT DOCUMENTS

(71) Applicant: **PACCAR Inc**, Bellevue, WA (US)

CN 305757914 \* 5/2020

(72) Inventors: **Louis Heilaneh**, Denton, TX (US);  
**Brad Powell**, Corinth, TX (US);  
**Christian Elliott**, Aubrey, TX (US)

CN 307958405 \* 4/2023

CN 308106383 \* 6/2023

(73) Assignee: **PACCAR Inc**, Bellevue, WA (US)

OTHER PUBLICATIONS

(\*\*) Term: **15 Years**

Linskip Fender Side Vent Cover Trim Compatible with Bronco 2021 2022 2023, available in Amazon.com, date first available Apr. 14, 2023 [online], [site visited Oct. 3, 2023], Available from the internet URL: [https://www.amazon.com/Linskip-Fender-Compatible-Bronco-Accessories/dp/B0C2GQT8V6/ref=sr\\_1\\_3?crd=3VQESSJBAST17&key.\\*](https://www.amazon.com/Linskip-Fender-Compatible-Bronco-Accessories/dp/B0C2GQT8V6/ref=sr_1_3?crd=3VQESSJBAST17&key.*)

(21) Appl. No.: **29/825,566**

(Continued)

(22) Filed: **Feb. 2, 2022**

(51) **LOC (14) Cl.** ..... **12-16**

(52) **U.S. Cl.**  
USPC ..... **D12/163**

(58) **Field of Classification Search**  
USPC ..... D12/163, 164, 169-171, 86, 90-92, 190,  
D12/196, 216; D21/533, 548, 552, 561;  
D15/31

*Primary Examiner* — Darlington Ly

*Assistant Examiner* — D. Ryan Tisdale

(74) *Attorney, Agent, or Firm* — Seed IP Law Group LLP

CPC ..... B60R 19/00; B60R 19/02; B60R 19/04;  
B60R 19/18; B60R 19/24; B60R 19/26;  
B60R 19/52; B60R 19/56; B60R  
2019/525; B60R 2019/527; B62D 25/084;  
B62D 25/085; B60K 11/085; B62B 9/16

See application file for complete search history.

(57) **CLAIM**

The ornamental design for an air intake grille, as shown and described.

**DESCRIPTION**

FIG. 1 is a perspective view of an air intake grille, showing an embodiment of our new design.

FIG. 2 is an enlarged detail view thereof;

FIG. 3 is a front elevational view thereof; and

FIG. 4 is a rear elevational view thereof.

FIG. 5 is a top perspective view of an air intake grille, showing a second embodiment of our new design, which is a mirror image of the air intake grille shown in FIGS. 1-5.

FIG. 6 is an enlarged detail view thereof;

FIG. 7 is a front elevational view thereof; and,

FIG. 8 is a rear elevational view thereof.

The broken lines shown in the drawings depict portions of the air intake grille that form no part of the claimed design.

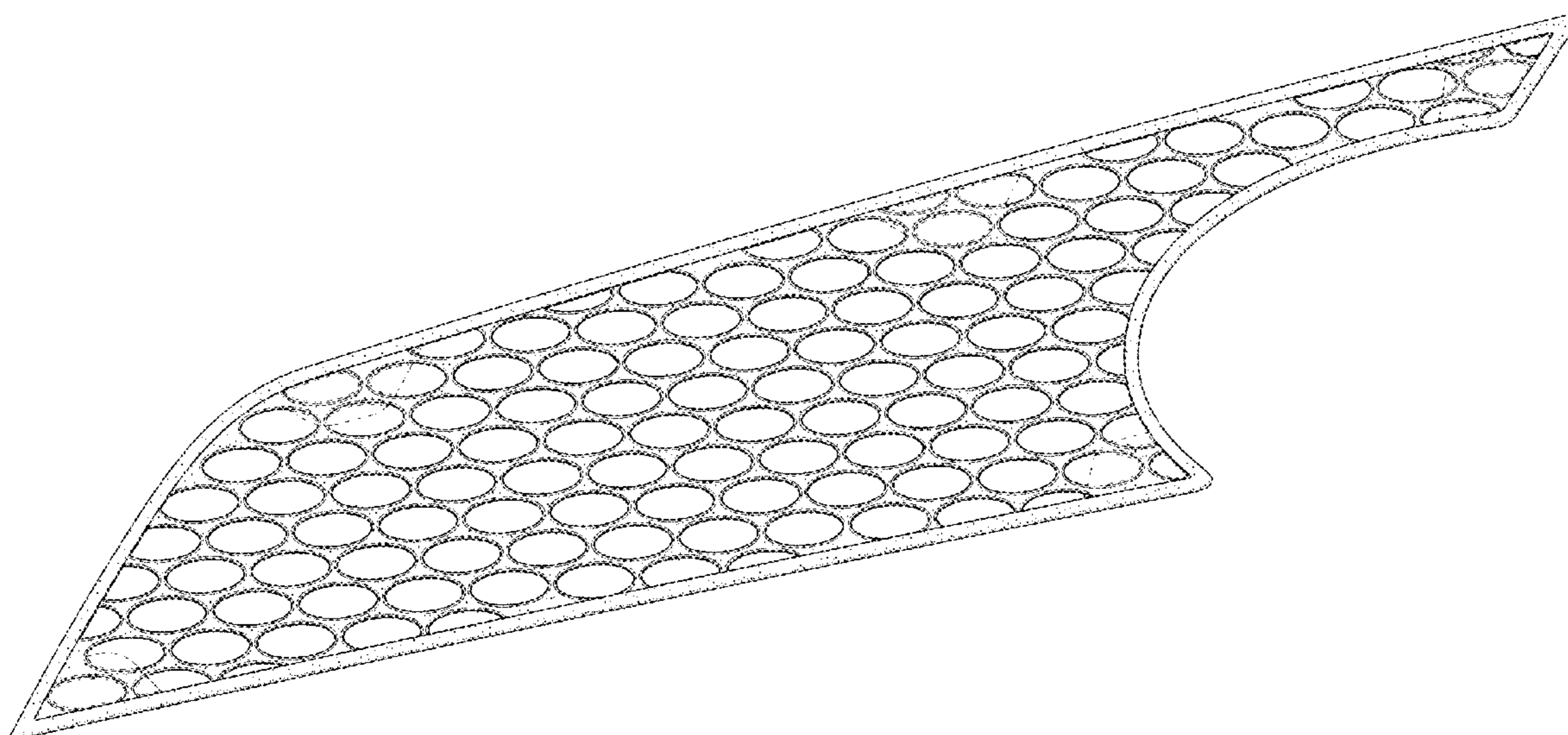
(56) **References Cited**

U.S. PATENT DOCUMENTS

D533,484 S \* 12/2006 Behmer ..... D12/163  
D605,989 S \* 12/2009 Leng ..... D12/163  
D647,829 S 11/2011 Medina et al.  
D647,830 S 11/2011 Medina et al.  
D708,990 S 7/2014 Conway et al.  
D713,765 S 9/2014 Peltola et al.  
D758,928 S \* 6/2016 Messale ..... D12/163  
D803,109 S \* 11/2017 Carter ..... D12/163  
D818,894 S \* 5/2018 Waterhouse ..... D12/163  
D819,515 S \* 6/2018 Anderson ..... D12/163  
D837,108 S \* 1/2019 Yang ..... D12/163

(Continued)

**1 Claim, 6 Drawing Sheets**





(56)

References Cited

U.S. PATENT DOCUMENTS

D849,611 S	*	5/2019	Carter .....	D12/163
D930,518 S	*	9/2021	Hirzel .....	D12/163
D940,012 S		1/2022	Duncan et al.	
D941,196 S	*	1/2022	Reist .....	D12/163
D965,482 S	*	10/2022	Zhu .....	D12/163
D966,157 S		10/2022	Duncan et al.	
D993,118 S	*	7/2023	Acton .....	D12/190
2010/0148525 A1	*	6/2010	Abdelnour .....	B60R 19/52 293/120

OTHER PUBLICATIONS

Boerlky Bumper Grille Replacement for 2011-2016 5 528 535 550 xDrive Front Center With M Package, available in Amazon.com, date first available Aug. 19, 2023 [online], [site visited Oct. 3, 2023], Available from the internet URL: [https://www.amazon.com/BOERLKY-Replacement-2011-2016-Package-Fitment/dp/B0CG33L5GH/ref=sr\\_1\\_](https://www.amazon.com/BOERLKY-Replacement-2011-2016-Package-Fitment/dp/B0CG33L5GH/ref=sr_1_).\*

Shinjew Hood Air Intake Grill Intake Vent Grille Mesh Side Grille Set Compatible with Volvo VNL Truck, available in Amazon.com, date first available May 13, 2022 [online], [site visited Oct. 3, 2023], Available from the internet URL: <https://www.amazon.com/SHINJEW-Intake-Compatible-Accessories-2004-2017/dp/B0B182ZSB8/re>.\*

"T800," Kenworth Truck Company, 2002, 32-page brochure.

"T800," Kenworth Truck Company, 2003, 32-page brochure.

"T800," Kenworth Truck Company, 2005, 28-page brochure.

"T800," Kenworth Truck Company, 2009, 28-page brochure.

"T800B," Kenworth Truck Company, 1993, 8-page brochure.

Peterbilt Motors Company, "The Working Class," Sep. 1976, 6-page brochure.

"The World's Best," Kenworth Truck Company, 1992, 12-page brochure.

"W900," Kenworth Truck Company, 1996, 7-page brochure.

"W900," Kenworth Truck Company, 2002, 32-page brochure.

"W900," Kenworth Truck Company, 2005, 28-page brochure.

"W900," Kenworth Truck Company, 2009, 28-page brochure.

Kenworth Truck Company, "W900L AeroCab," 1994, 2-page brochure.

Kenworth Truck Company, "AeroCab," 1993, 5-page brochure.

"AeroCab," Kenworth Truck Company, as early as 1995, 3-page brochure.

"C500B," Kenworth Truck Company, as early as 1990, 4-page brochure.

Peterbilt Motors Company, "Class Pays, Medium Duty," Sep. 2000, 12-page brochure.

"Class Pays, Truck Models," Peterbilt Motors Company, Mar. 2005, 24-page brochure.

"Class Pays," Peterbilt Motors Company, Nov. 1998, 10-page brochure.

Peterbilt Motors Company, "Class Pays," Sep. 1997, 10-page brochure.

"Class Pays, Construction Trucks," Peterbilt Motors Company, Nov. 2003, 16-page brochure.

"Kenworth Truck Models," Kenworth Truck Company, 2010, 16-page brochure.

Peterbilt Motors Company, "Model 330," Oct. 1997, 3-page brochure.

Peterbilt Motors Company, "Model 379," Apr. 2005, 2-page brochure.

Peterbilt Motors Company, "Model 379," Mar. 1996, 5-page brochure.

Peterbilt Motors Company, "Rest with Class," Apr. 1978, 4-page brochure.

"T170 Class 5," Kenworth Truck Company, 2008, 4-page brochure.

"T270 Class 6 and T370 Class 7," Kenworth Truck Company, 2008, 6-page brochure.

"T270 Class 6 and T370 Class 7," Kenworth Truck Company, 2009, 6-page brochure.

"T270 Class 6 and T370 Class 7 Hybrid," Kenworth Truck Company, 2009, 6-page brochure.

"T680," Kenworth Truck Company, 2013, 34-page brochure.

"T680," Kenworth Truck Company, 2016, 34-page brochure.

"T880," Kenworth Truck Company, 2017, 32-page brochure.

"Model 579," Peterbilt Motors Company, Oct. 2013, 13-page brochure.

"Medium Duty," Peterbilt Motors Company, 2013, 9-page brochure.

"On-Highway," Peterbilt Motors Company, 2013, 13-page brochure.

"Vocational," Peterbilt Motors Company, 2013, 11-page brochure.

"T440," Kenworth Truck Company, 2010, 6-page brochure.

"T470," Kenworth Truck Company, 2010, 6-page brochure.

"T470H," Kenworth Truck Company, 2009, 2-page brochure.

"Model 220," Peterbilt Motors Company, 2019, 2-page brochure.

"220EV," Peterbilt Motors Company, 2020, 5-page brochure.

"Model 337," Peterbilt Motors Company, 2020, 2-page brochure.

"Model 389," Peterbilt Motors Company, 2019, 2-page brochure.

"Model 348," Peterbilt Motors Company, 2019, 2-page brochure.

"Model 520," Peterbilt Motors Company, 2019, 2-page brochure.

"Model 567," Peterbilt Motors Company, 2020, 16-page brochure.

"567 Heritage," Peterbilt Motors Company, 2017, 2-page brochure.

"Model 579," Peterbilt Motors Company, 2019, 28-page brochure.

"C500," Kenworth Truck Company, 2012, 2-page brochure.

"T680," Kenworth Truck Company, 2019, 40-page brochure.

"T800," Kenworth Truck Company, 2012, 28-page brochure.

"T440/T470," Kenworth Truck Company, 2015, 8-page brochure.

"K270E/K370E," Kenworth Truck Company, 2020, 4-page brochure.

"T170/T270/T370," Kenworth Truck Company, 2019, 16-page brochure.

"K270/K370," Kenworth Truck Company, 2014, 12-page brochure.

"W990," Kenworth Truck Company, 2018, 32-page brochure.

"T880," Kenworth Truck Company, 2019, 36-page brochure.

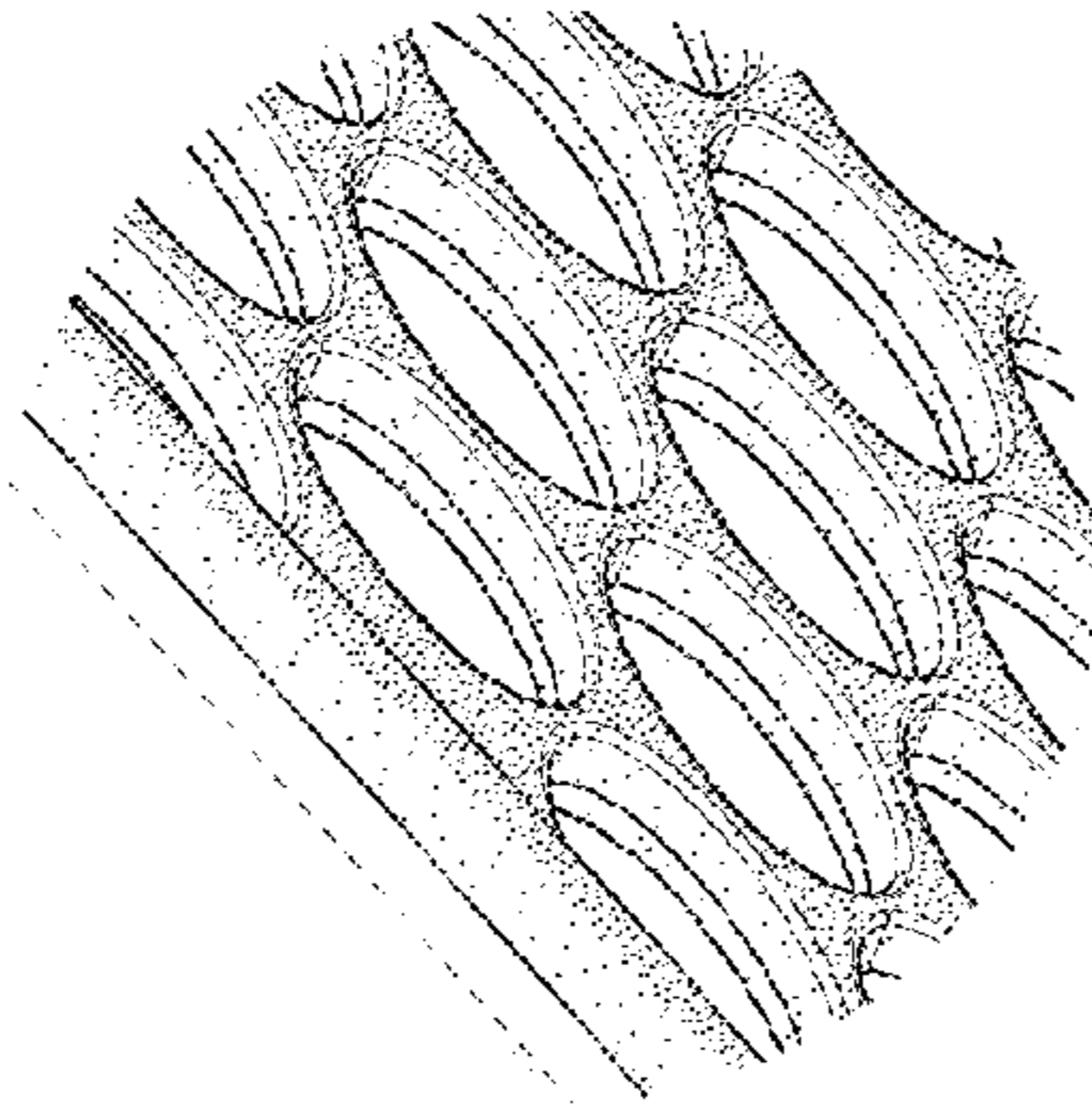
"Model 367," Peterbilt Motors Company, URL=<https://www.peterbilt.com/trucks/vocational/model-367>, retrieved Nov. 20, 2020, 12 pages.

"Model 365," Peterbilt Motors Company, URL=<https://www.peterbilt.com/trucks/vocational/model-365>, retrieved Nov. 20, 2020, 11 pages.

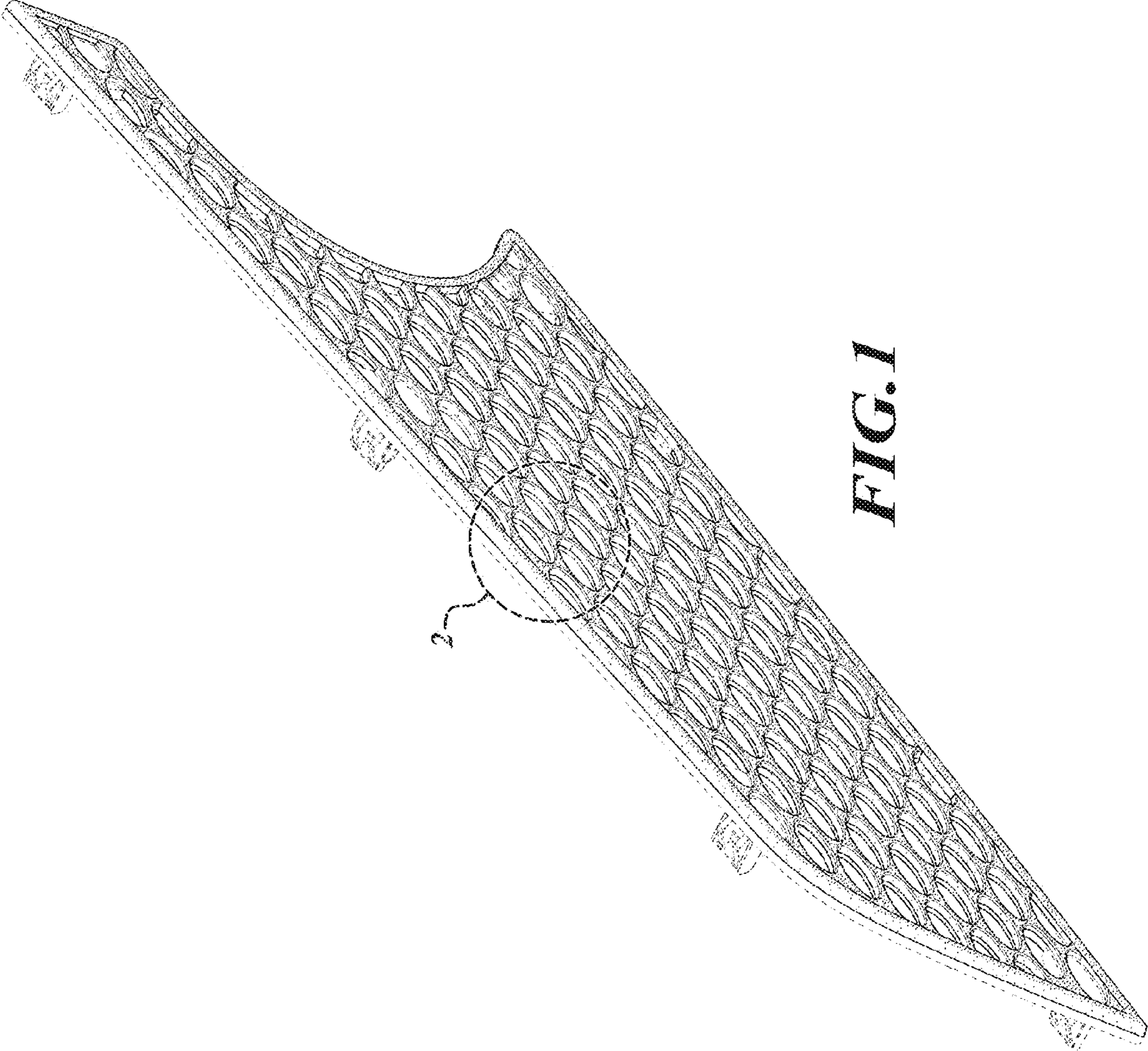
"Model 325," Peterbilt Motors Company, URL=<https://www.peterbilt.com/trucks/medium-duty/model-325>, retrieved Nov. 20, 2020, 12 pages.

\* cited by examiner

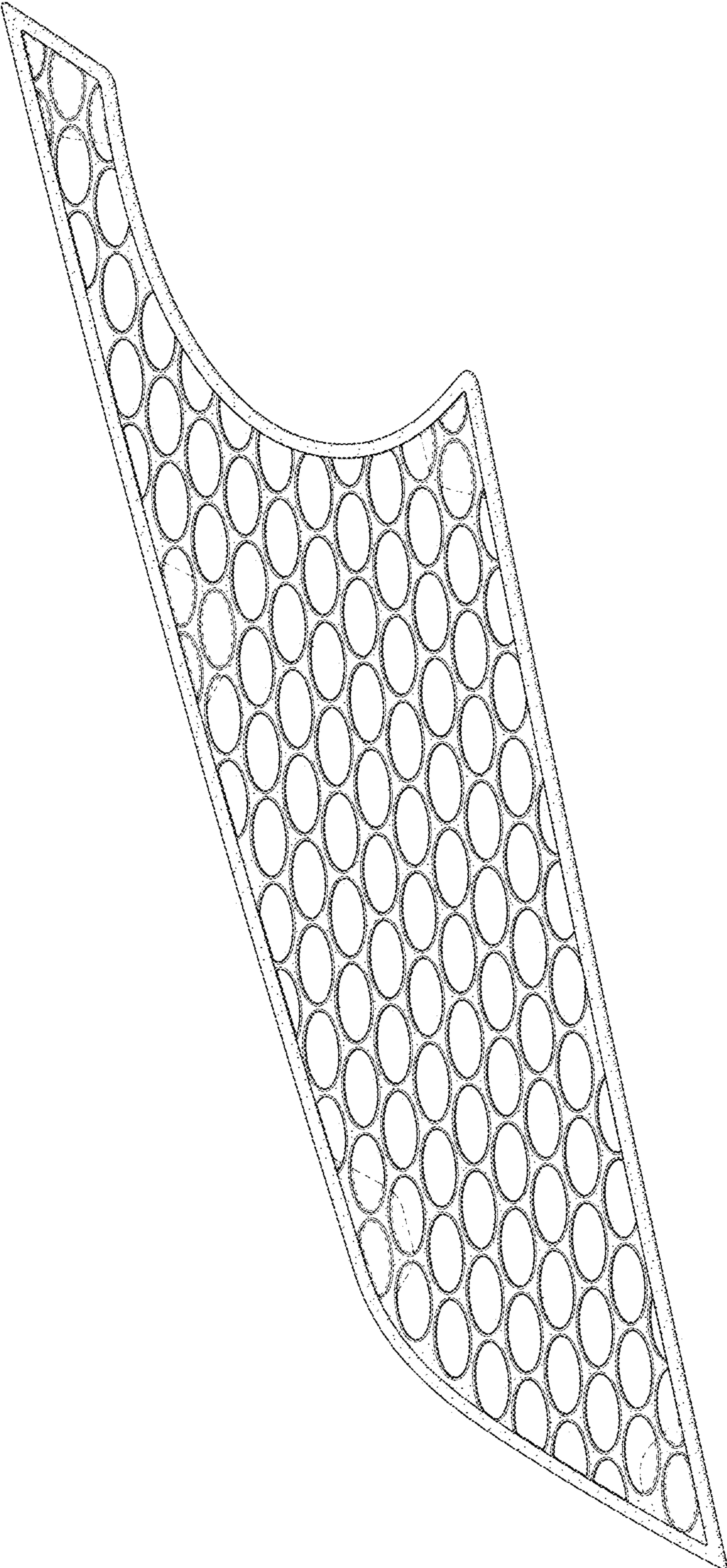




**FIG. 2**

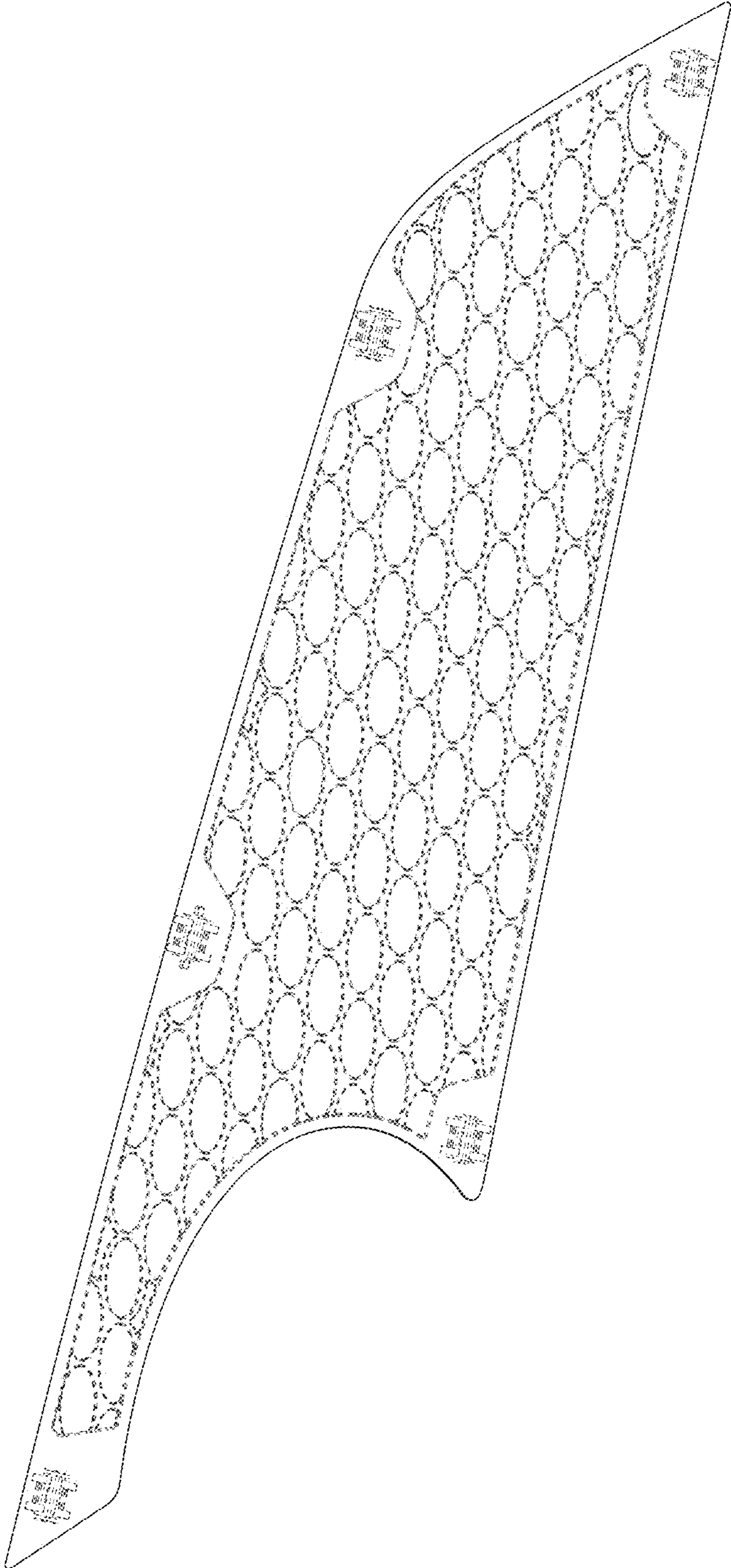


**FIG. 1**

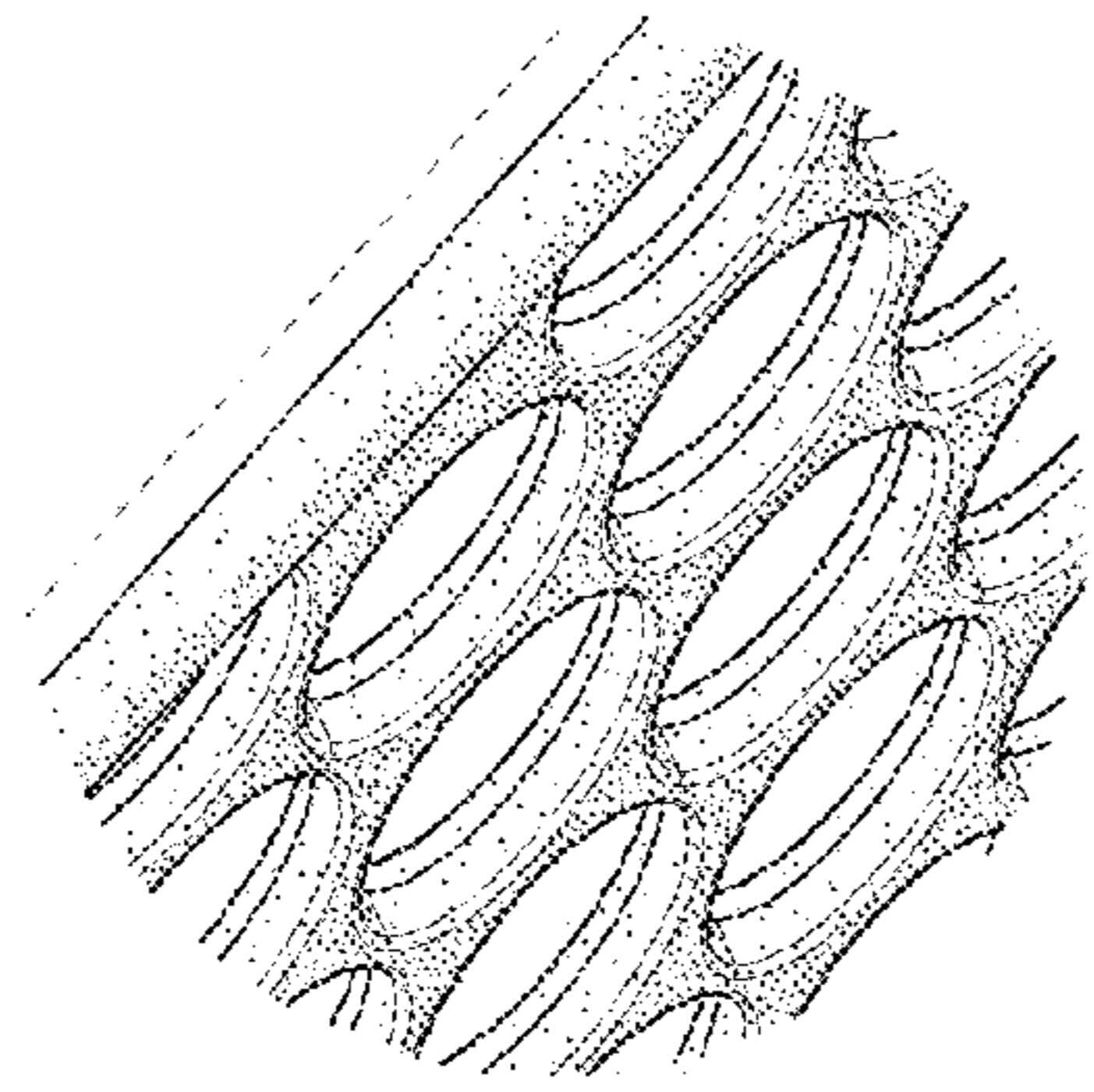


**FIG. 3**

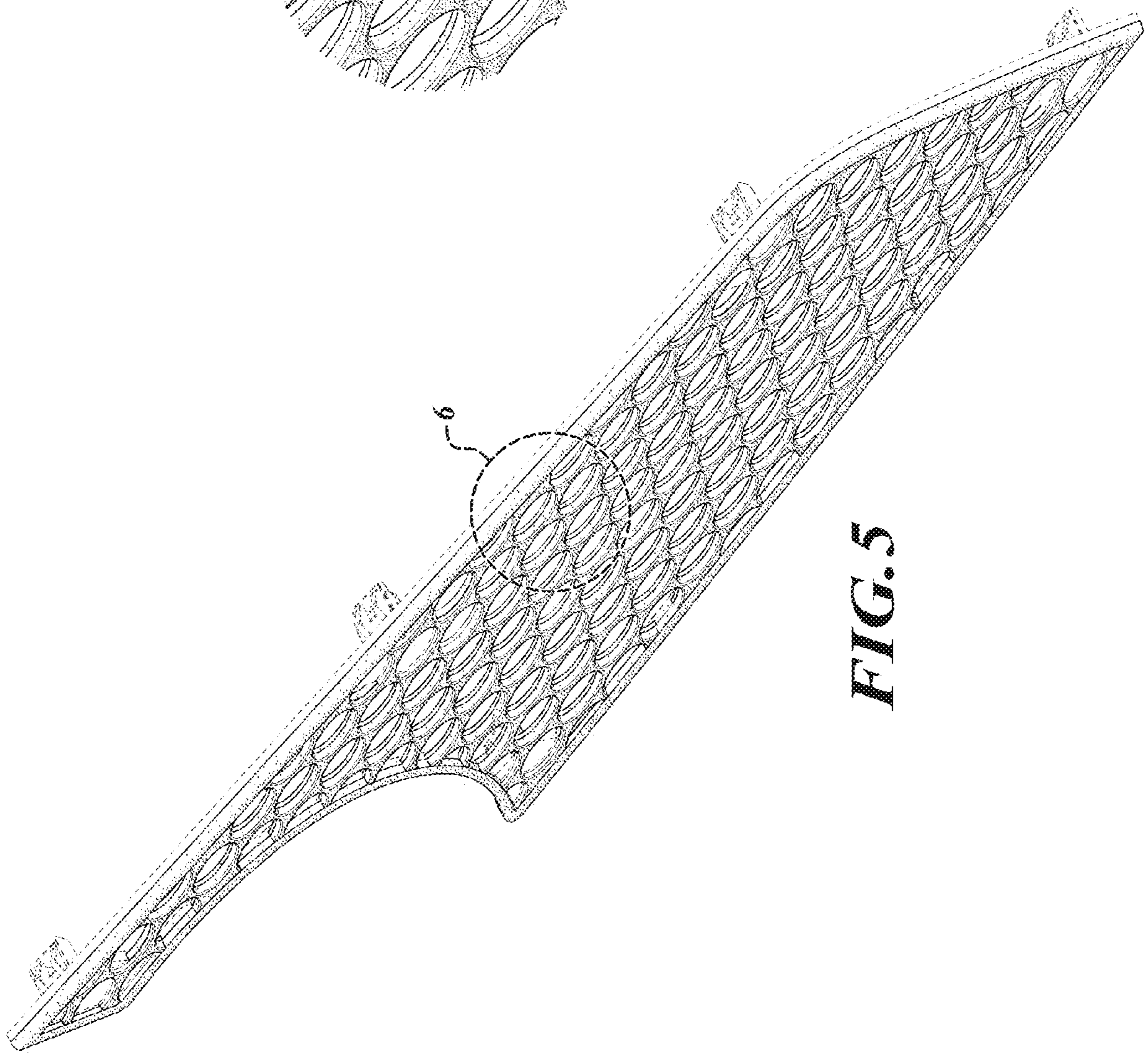




**FIG. 4**

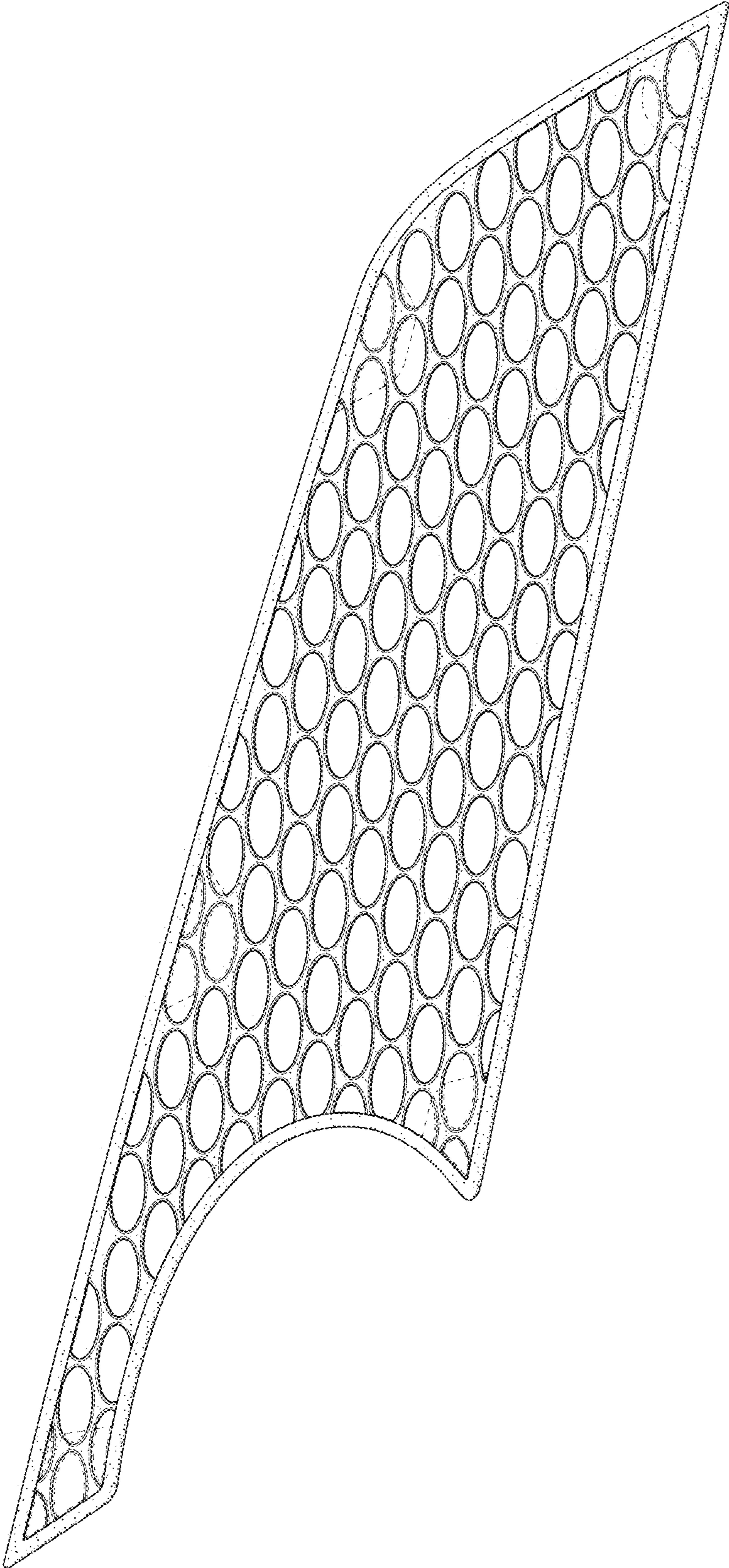


**FIG. 6**

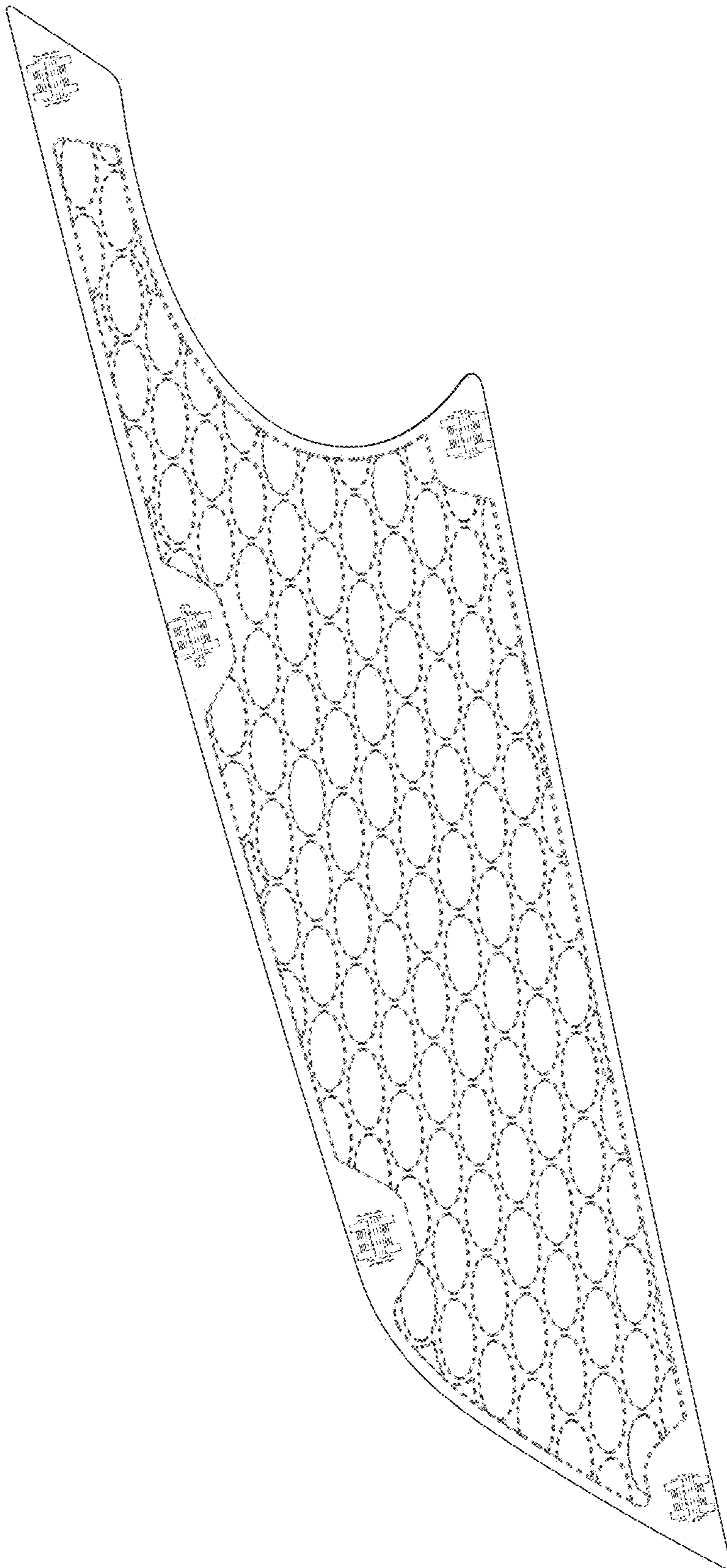


**FIG. 5**





**FIG. 7**



**FIG. 8**