



US0D1030505S

(12) **United States Design Patent** (10) **Patent No.:** **US D1,030,505 S**
Klepfisz et al. (45) **Date of Patent:** **** Jun. 11, 2024**

(54) **CONTAINER FOR SANITIZING SPRAY**

(71) Applicants: **Allan Mark Klepfisz**, Tel Aviv-Jaffa (IL); **Lance J. O. Ford**, Pound Ridge, NY (US); **Tomas Varga**, Bratislava (SK)

(72) Inventors: **Allan Mark Klepfisz**, Tel Aviv-Jaffa (IL); **Lance J. O. Ford**, Pound Ridge, NY (US); **Tomas Varga**, Bratislava (SK)

(**) Term: **15 Years**

(21) Appl. No.: **29/738,425**

(22) Filed: **Jun. 17, 2020**

(51) **LOC (14) Cl.** **28-03**

(52) **U.S. Cl.**
USPC **D28/91.1**; D9/574

(58) **Field of Classification Search**
USPC D28/91.1; D9/563, 516, 575, 499, 572, D9/682, 694, 573, 574
CPC B65D 1/0223; B65D 2501/0081; B65D 23/0878; B05B 11/0037
See application file for complete search history.

(56) **References Cited**

U.S. PATENT DOCUMENTS

D136,773 S *	12/1943	Derham	D28/73
D244,579 S *	6/1977	Dinand	D9/563
D259,098 S *	5/1981	Lauren	D9/558
D286,139 S *	10/1986	O'Reilly	D9/567
D295,608 S *	5/1988	Tonduti	D9/558
D337,496 S *	7/1993	Laubach	D9/448
D369,560 S *	5/1996	Heinz	D9/566
6,688,935 B1 *	2/2004	Lin	A63H 33/28 446/16
D589,355 S *	3/2009	Rica	D9/546
D600,133 S *	9/2009	Friedman	D9/687
D665,262 S *	8/2012	Regas	D9/516

D720,232 S *	12/2014	de Monclin	D9/558
D742,240 S *	11/2015	Santos	D9/544
D761,114 S *	7/2016	Ericson	D9/544
D764,928 S *	8/2016	Staab	D9/694
D769,725 S *	10/2016	Citterio	D9/444
D784,822 S *	4/2017	Yen	D9/574
D798,727 S *	10/2017	Yen	D9/574
D843,219 S *	3/2019	Faillant Dumas	D9/544
D854,937 S *	7/2019	Li	D9/566
D857,516 S *	8/2019	Lutens	D9/682
D881,708 S *	4/2020	Accurso	D9/454

(Continued)

OTHER PUBLICATIONS

The Band—A Sanitizing Wrist Gadget, available May 13, 2021, [online], [site visited Jul. 25, 2023]. Available from internet, URL: <https://www.youtube.com/watch?v=MgIN5A9fW4k>The Band—a sanitizing wrist gadget (Year: 2021).*

(Continued)

Primary Examiner — W. A. Teddy Falloway
Assistant Examiner — Amanda Kay Birdwell

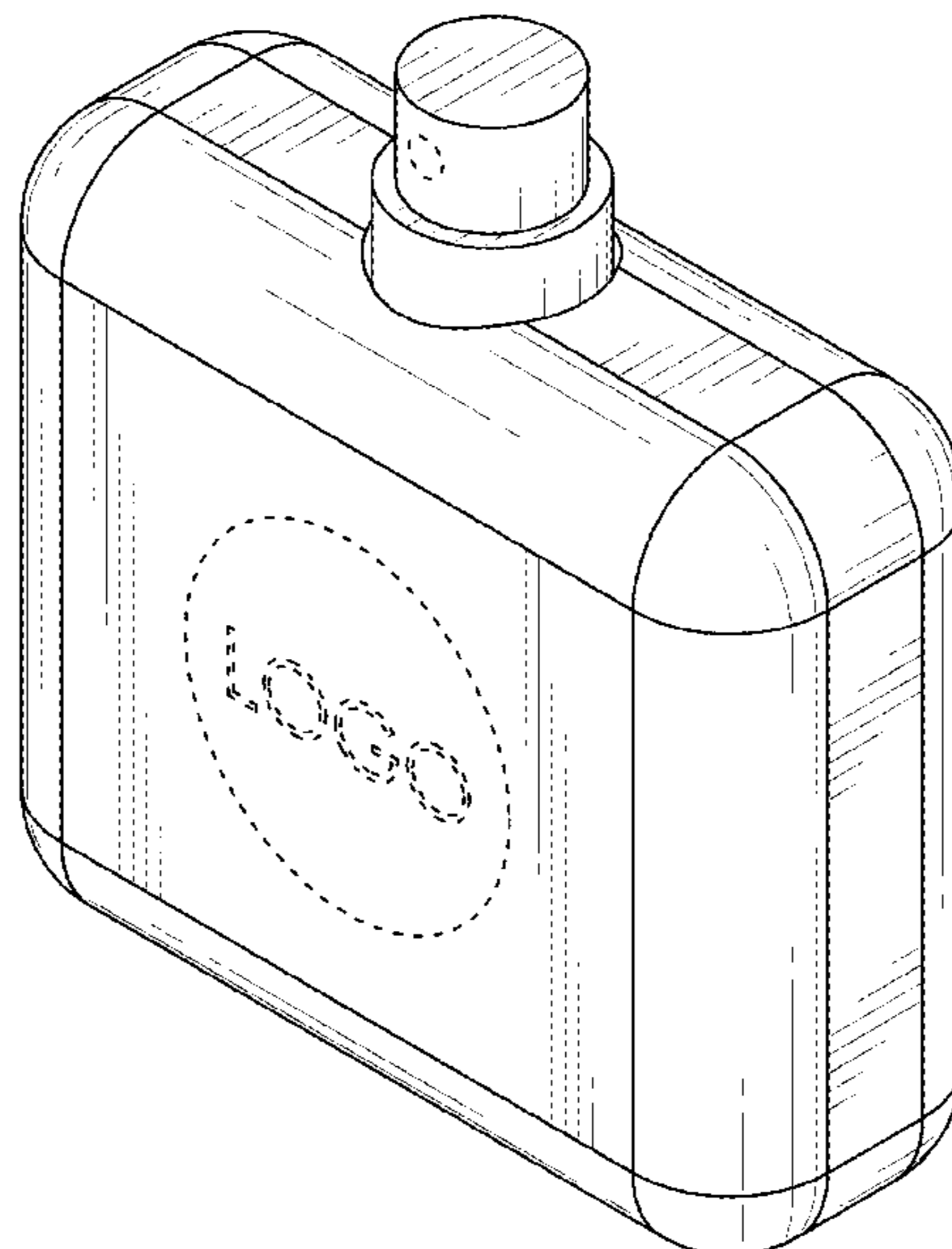
(57) **CLAIM**

The ornamental design for a container for sanitizing spray, as shown and described.

DESCRIPTION

FIG. 1 is a top perspective view of a container for sanitizing spray showing my new design;
FIG. 2 is a bottom perspective view thereof;
FIG. 3 is a front elevated view thereof;
FIG. 4 is a rear elevated view thereof;
FIG. 5 is a top plan view thereof;
FIG. 6 is a bottom plan view thereof;
FIG. 7 is a right elevated view thereof; and,
FIG. 8 is a left elevated view thereof.
The broken lines illustrate portions of the container for sanitizing spray and form no part of the claimed design.

1 Claim, 8 Drawing Sheets



(56)

References Cited

U.S. PATENT DOCUMENTS

D920,798 S * 6/2021 Feletto D9/544

OTHER PUBLICATIONS

I Tried a Hand Sanitizer-Spraying Watch, available Aug. 31, 2020, [online], [site visited Jul. 25, 2023]. Available from internet, URL: <https://thenextweb.com/news/watchout-hand-sanitizer-spray-watch-review-have-never-felt-less-clean> (Year: 2020).*

50ml 110ml Square Clear Glass Perfume Bottle, available Jul. 25, 2023, [online], [site visited Jul. 25, 2023]. Available from internet, URL: <https://xzshine.en.made-in-china.com/product/eOKtUCFEEorR/China-50ml-110ml-Square-Clear-Glass-Perfume-Bottle.html> (Year: 2023).*

* cited by examiner

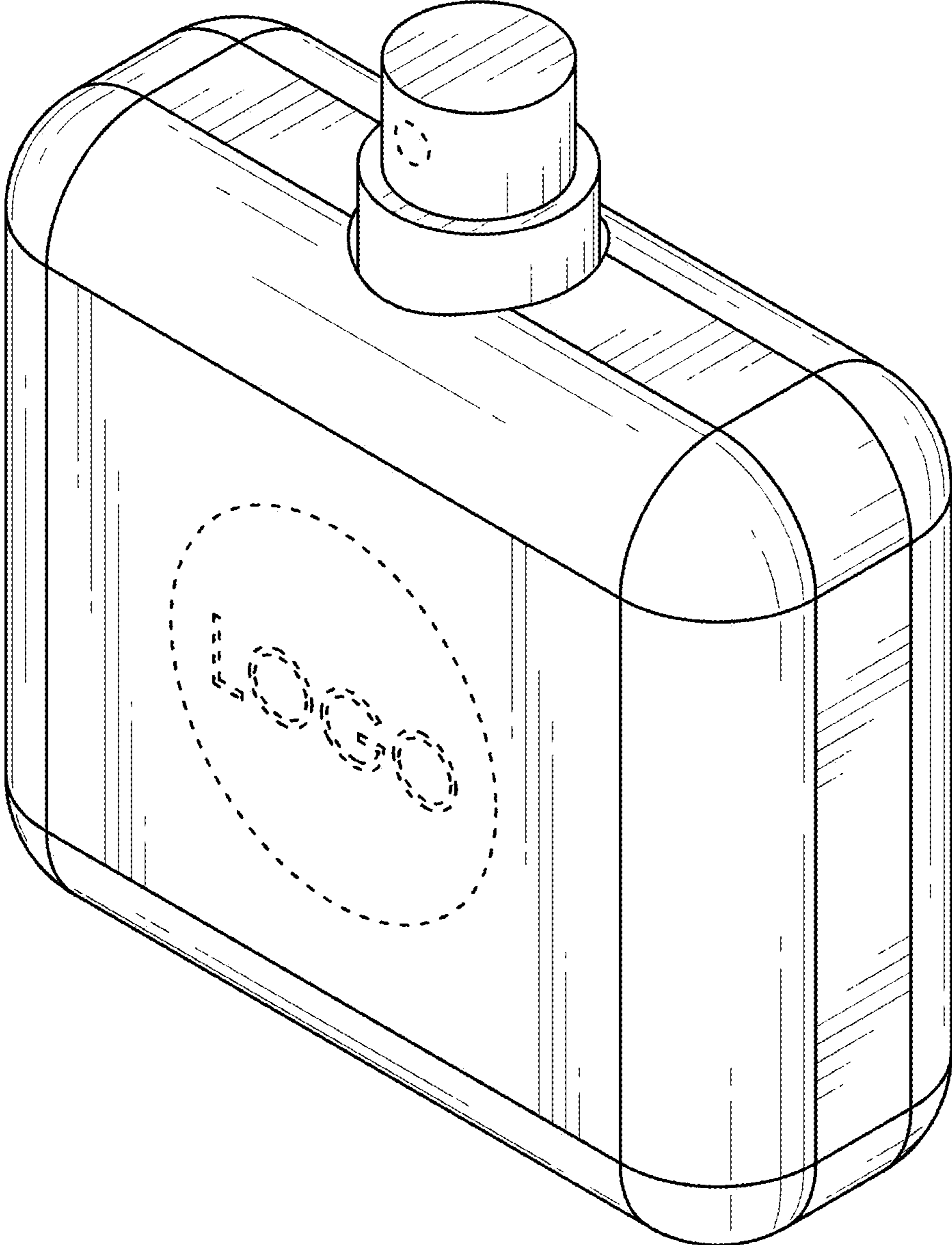


FIG. 1

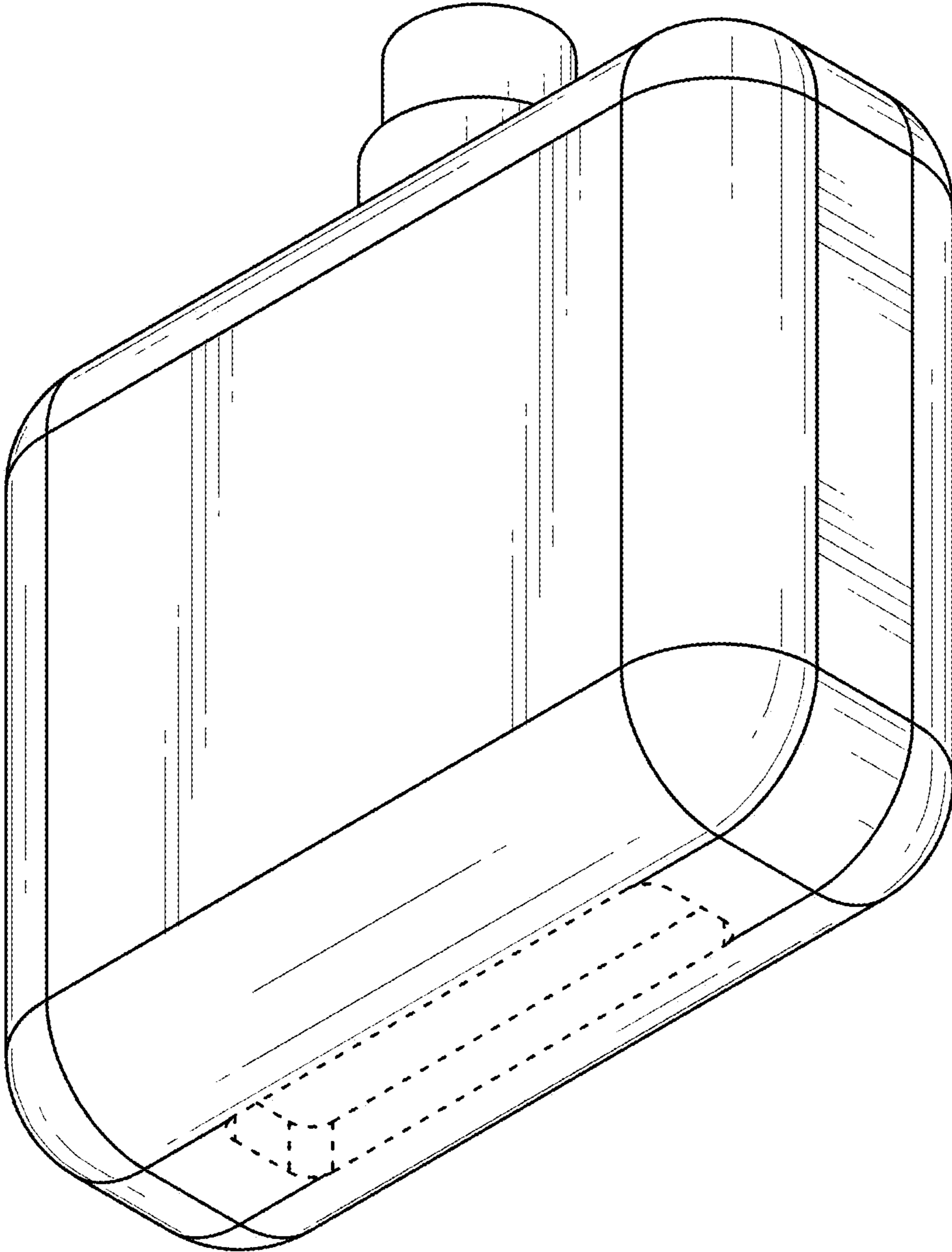


FIG. 2

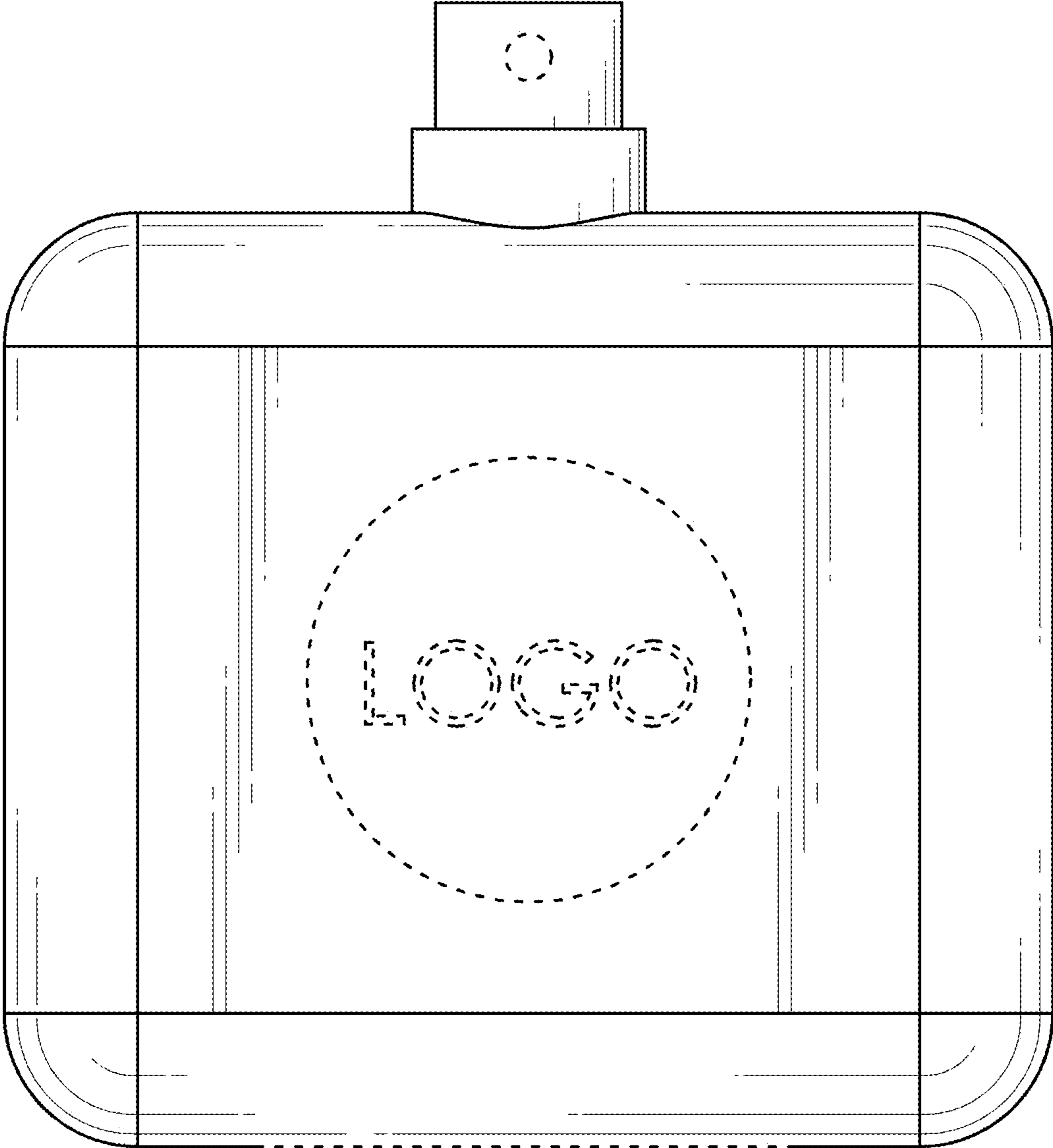


FIG. 3

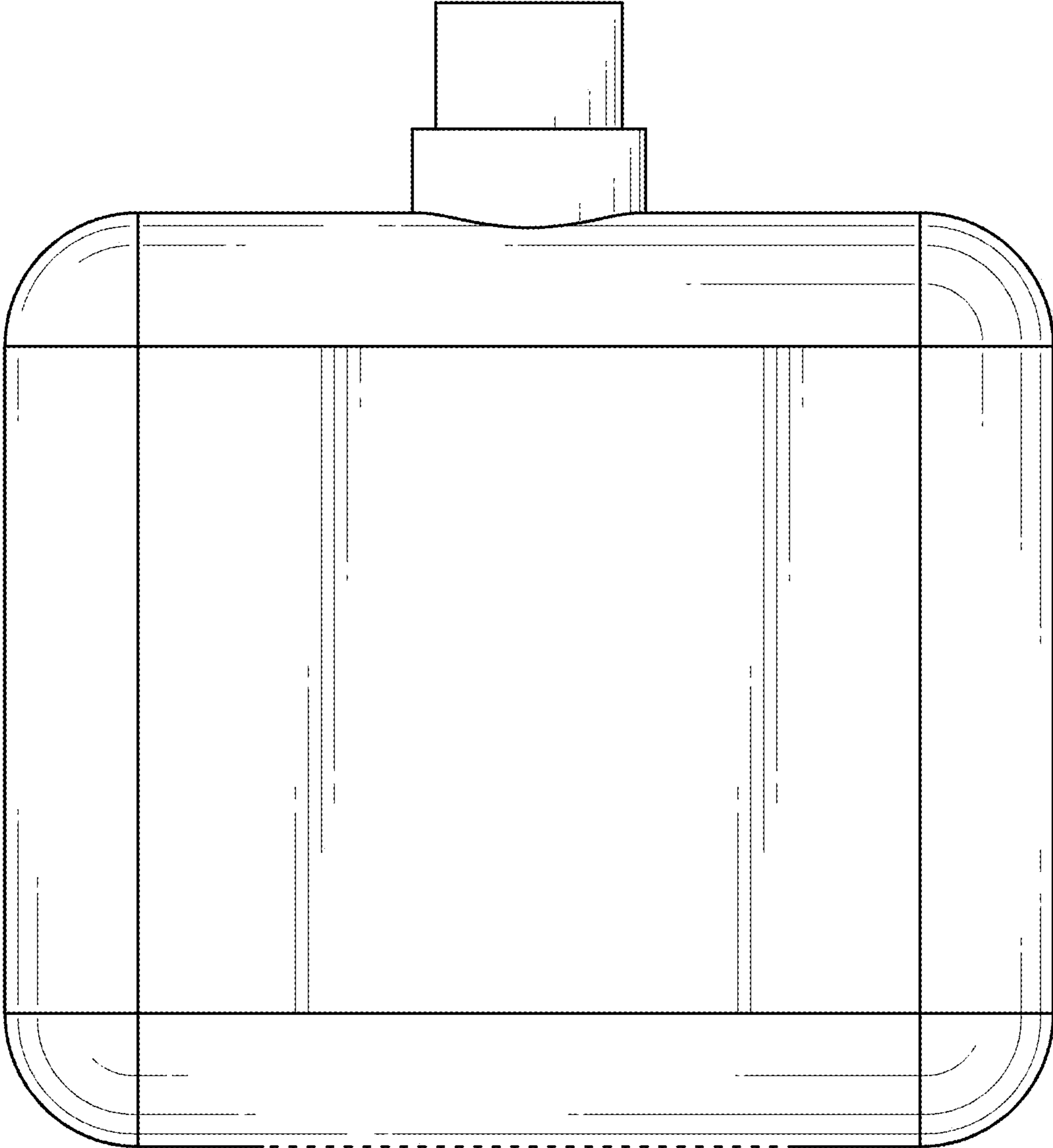


FIG. 4

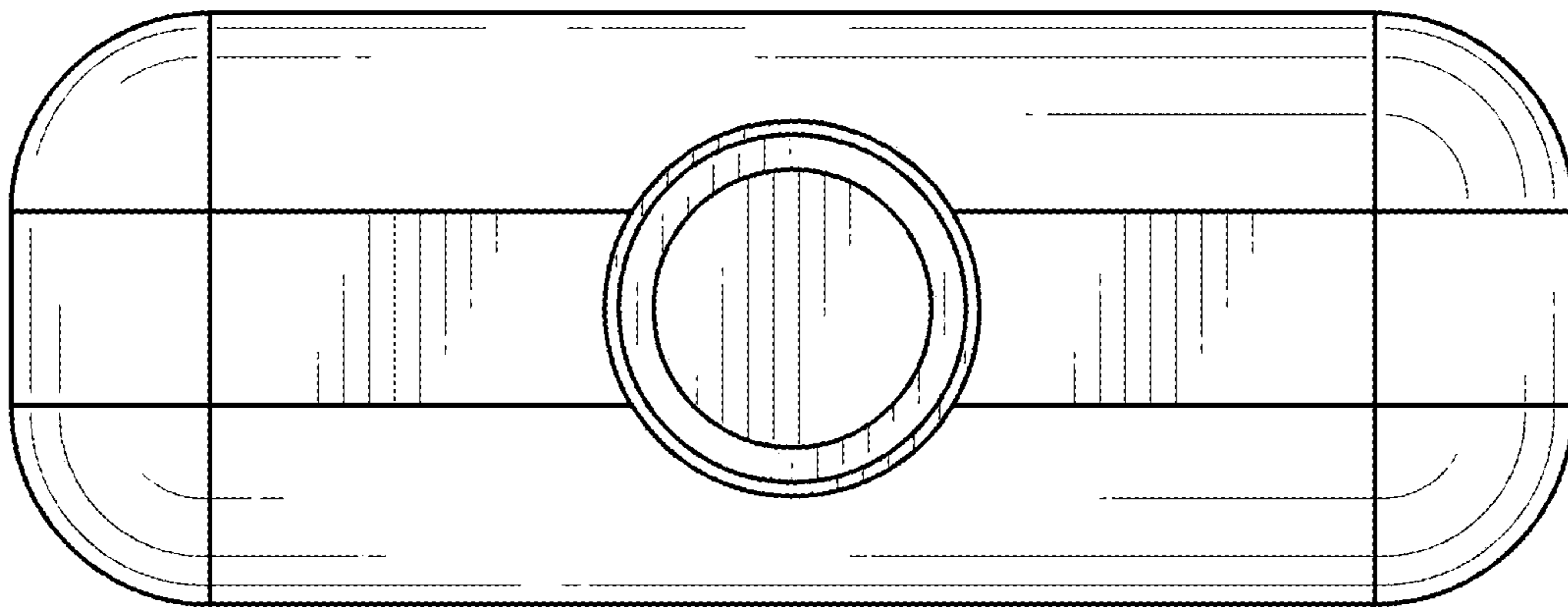


FIG. 5

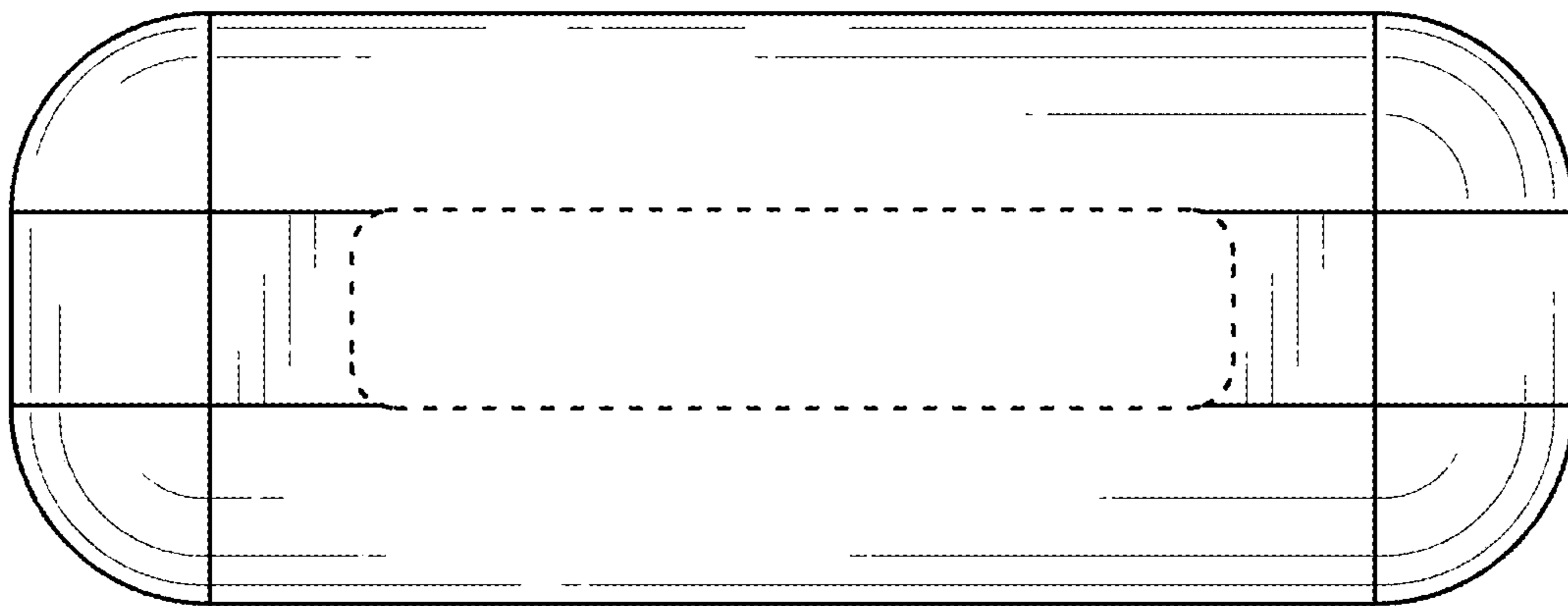


FIG. 6

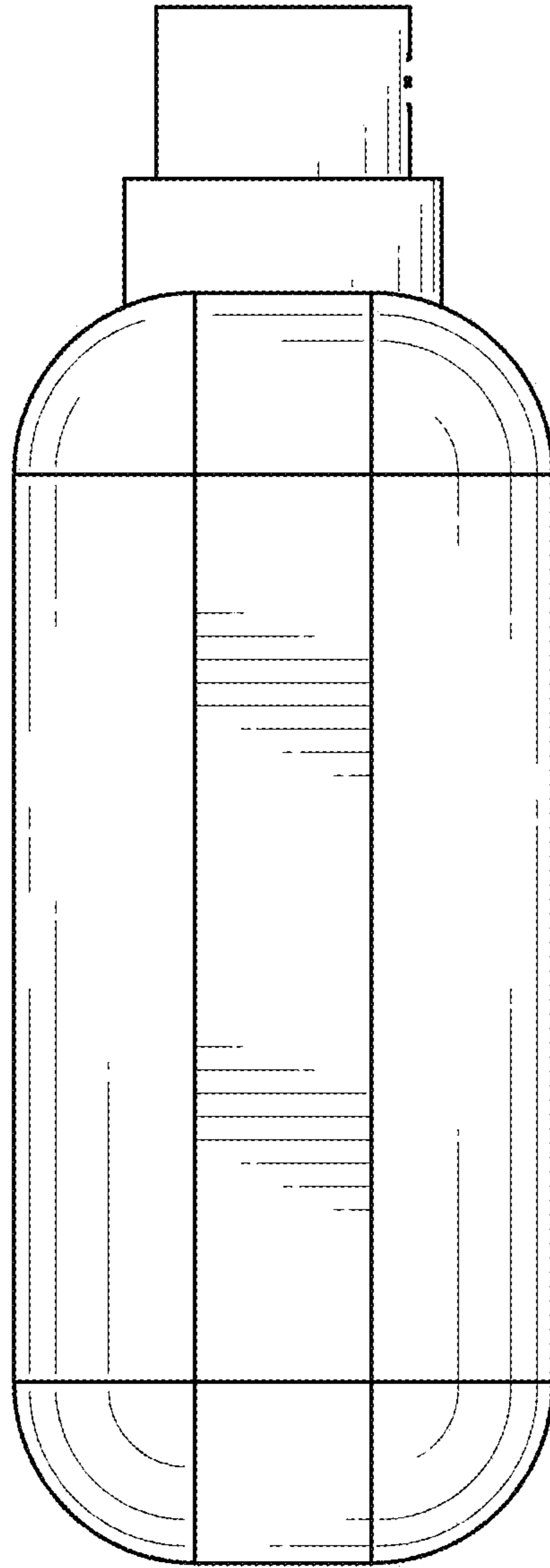


FIG. 7

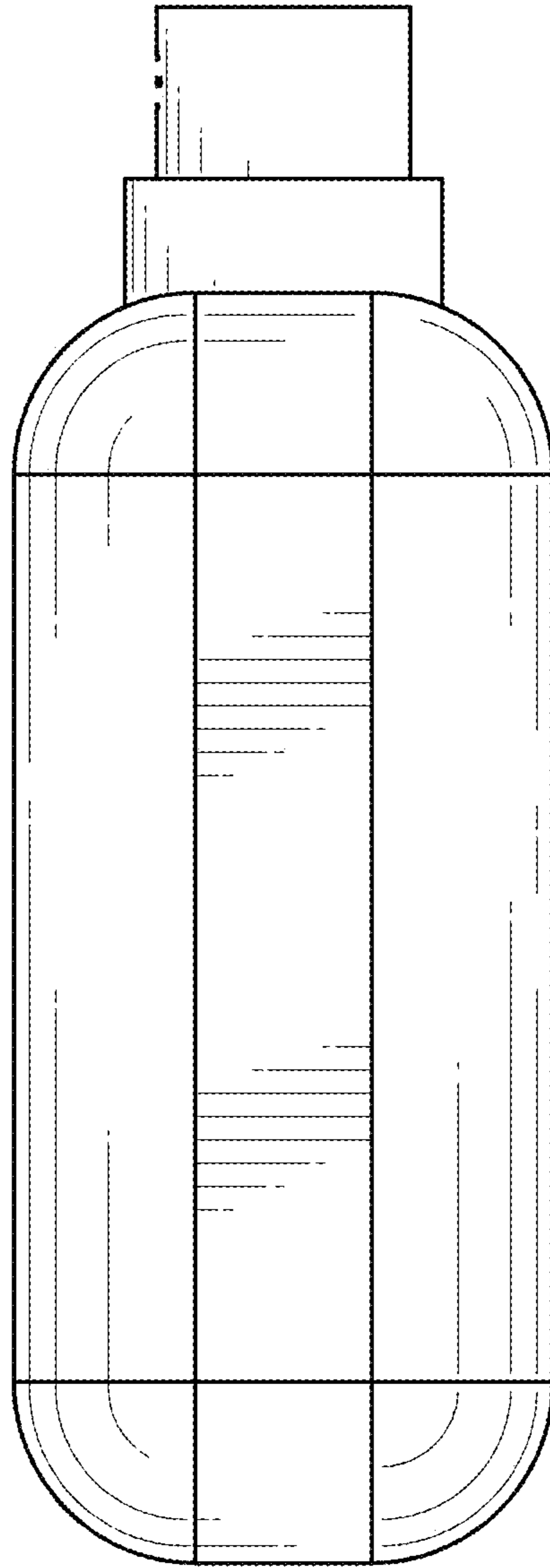


FIG. 8