



US0D1030447S

(12) **United States Design Patent**  
**Wang**

(10) **Patent No.: US D1,030,447 S**

(45) **Date of Patent: \*\* Jun. 11, 2024**

(54) **CHILD SAFETY LOCK**

(71) Applicant: **Xiaodong Wang**, Ningbo (CN)

(72) Inventor: **Xiaodong Wang**, Ningbo (CN)

(\*\*) Term: **15 Years**

(21) Appl. No.: **29/847,171**

(22) Filed: **Jul. 22, 2022**

(51) **LOC (14) Cl. .... 08-07**

(52) **U.S. Cl.**  
USPC ..... **D8/339**

(58) **Field of Classification Search**  
USPC ..... D8/330-333, 338-343, 346, 400, 499  
CPC ..... A47K 13/242; E05B 65/0014  
See application file for complete search history.

(56) **References Cited**

**U.S. PATENT DOCUMENTS**

2,608,711	A *	9/1952	Moore	.....	F25D 23/028 292/DIG. 28
D289,793	S *	5/1987	Blake	.....	D23/309
4,715,629	A *	12/1987	Robinson	.....	F25D 29/006 292/288
5,328,434	A *	7/1994	Carroll	.....	A63B 23/0211 482/148
D625,579	S *	10/2010	Lee	.....	D8/349
D780,554	S *	3/2017	Marsden	.....	D8/330
D792,129	S *	7/2017	Best	.....	D6/624
D803,026	S *	11/2017	Herskovitz	.....	D8/331
9,938,757	B2 *	4/2018	Raffi	.....	E05C 19/188
D836,419	S *	12/2018	Marsden	.....	D8/343
D837,687	S *	1/2019	Marsden	.....	D11/216
D941,117	S *	1/2022	Rampen	.....	F16M 11/16 D8/339
D964,842	S *	9/2022	Sun	.....	D8/331
D1,007,997	S *	12/2023	Li	.....	D8/330
2018/0023323	A1 *	1/2018	Anderson	.....	E05B 65/46 292/80

**OTHER PUBLICATIONS**

Baoweijd, posted Jun. 13, 2018 [online], [retrieved Jan. 22, 2024]. Retrieved from internet, <https://www.amazon.com/dp/B07DQBJQF4/ref> (Year: 2018).\*

\* cited by examiner

*Primary Examiner* — David G Muller  
*Assistant Examiner* — Christina Gabrielle Cosden  
(74) *Attorney, Agent, or Firm* — Jose Cherson Weissbrot

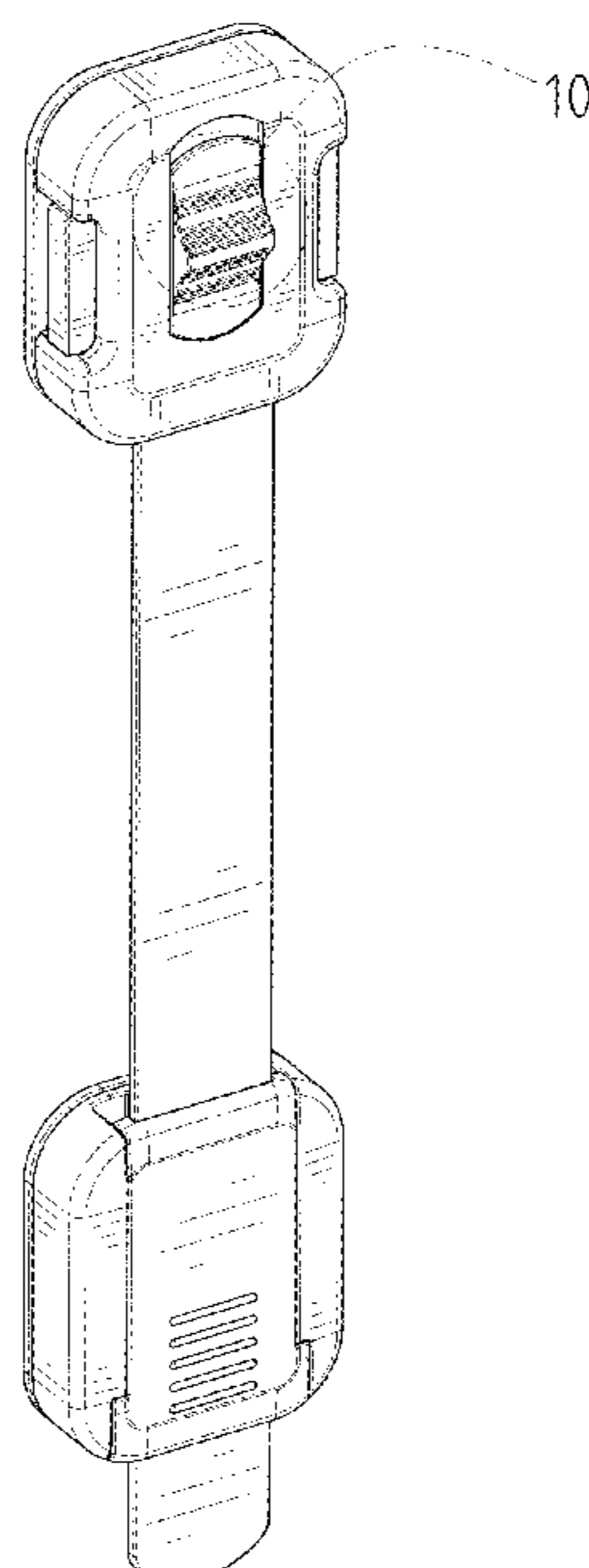
(57) **CLAIM**

The ornamental design for a child safety lock, as shown and described.

**DESCRIPTION**

FIG. 1 is a first perspective view of a child safety lock showing my new design;  
FIG. 2 is a second perspective view thereof;  
FIG. 3 is a front view thereof;  
FIG. 4 is a back view thereof;  
FIG. 5 is a left side view thereof;  
FIG. 6 is a right side view thereof;  
FIG. 7 is a top view thereof;  
FIG. 8 is a bottom view thereof;  
FIG. 9 is an exploded view of the child safety lock thereof; and,  
FIG. 10 is an enlarged view of the selected portion 10 in FIG. 1.  
The broken lines shown in the drawings depict portions of the child safety lock that form no part of the claimed design. The dash-dot-dash broken lines in the drawings depict the boundaries of the enlarged view shown in FIG. 10.

**1 Claim, 10 Drawing Sheets**



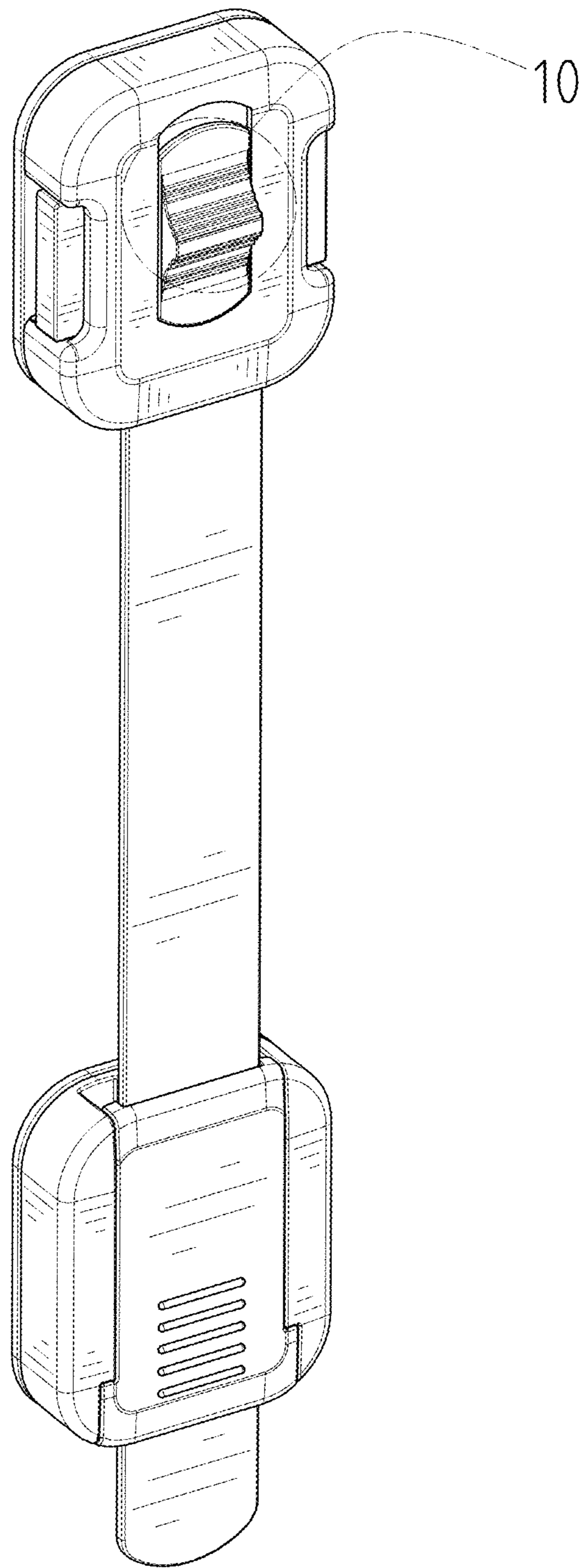


FIG. 1

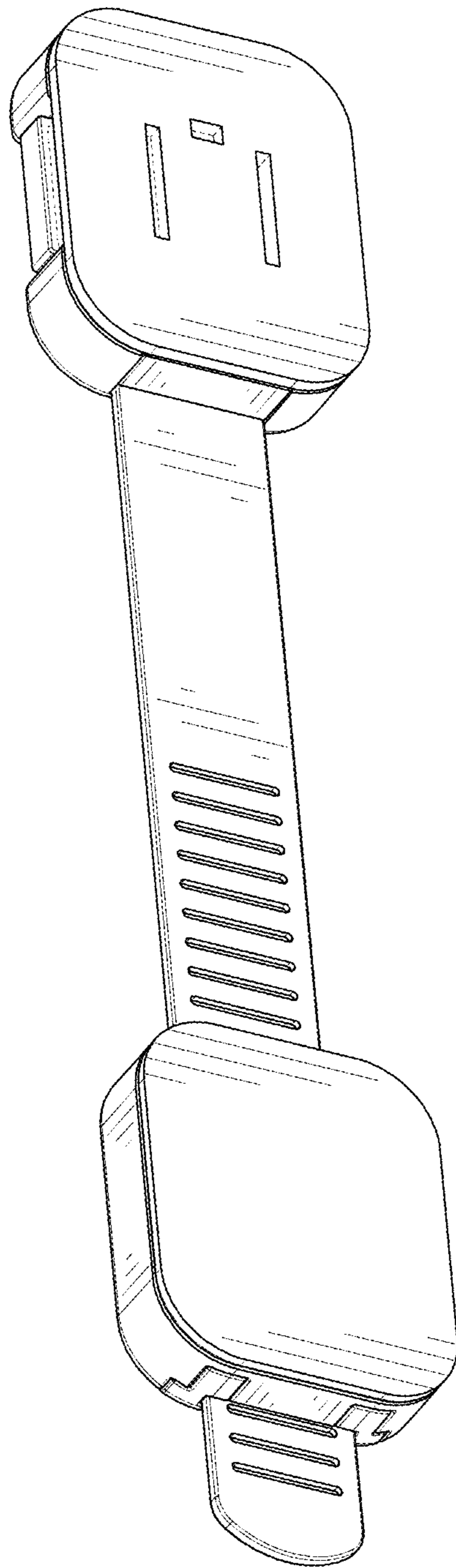


FIG. 2

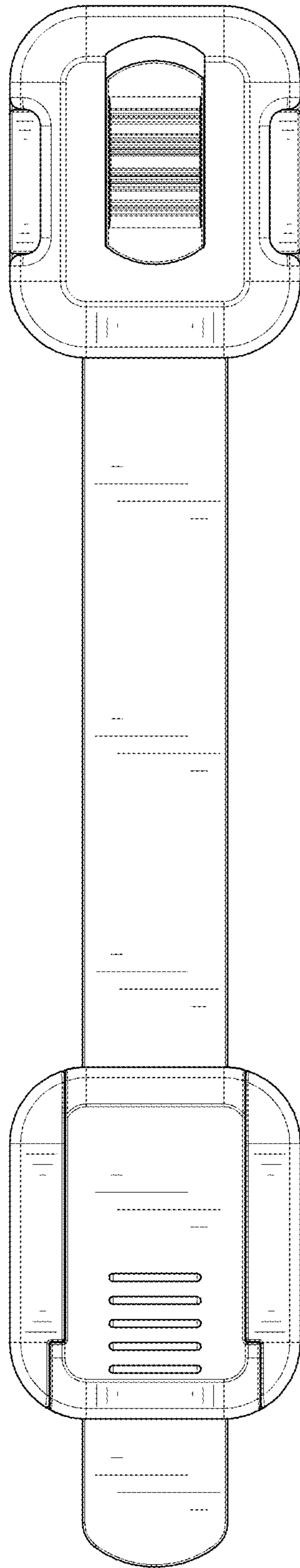


FIG. 3

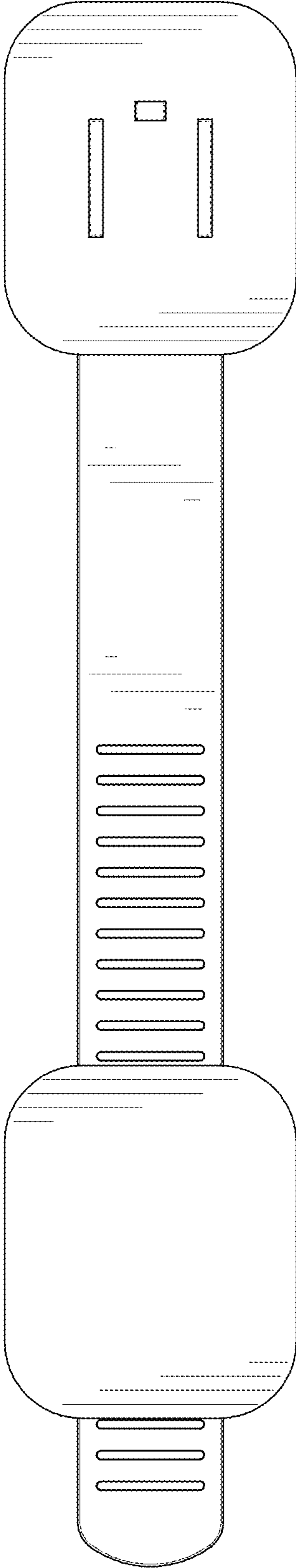


FIG. 4

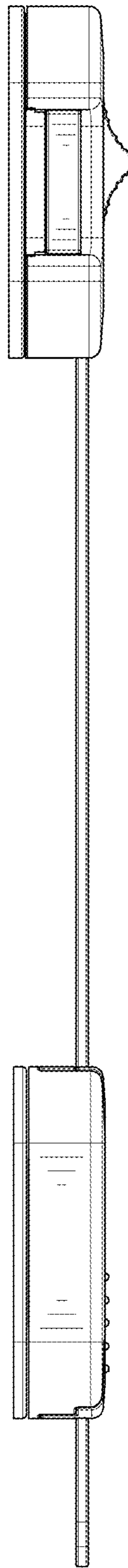


FIG. 5

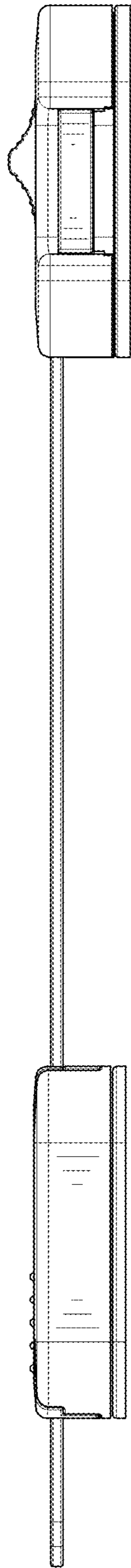


FIG. 6

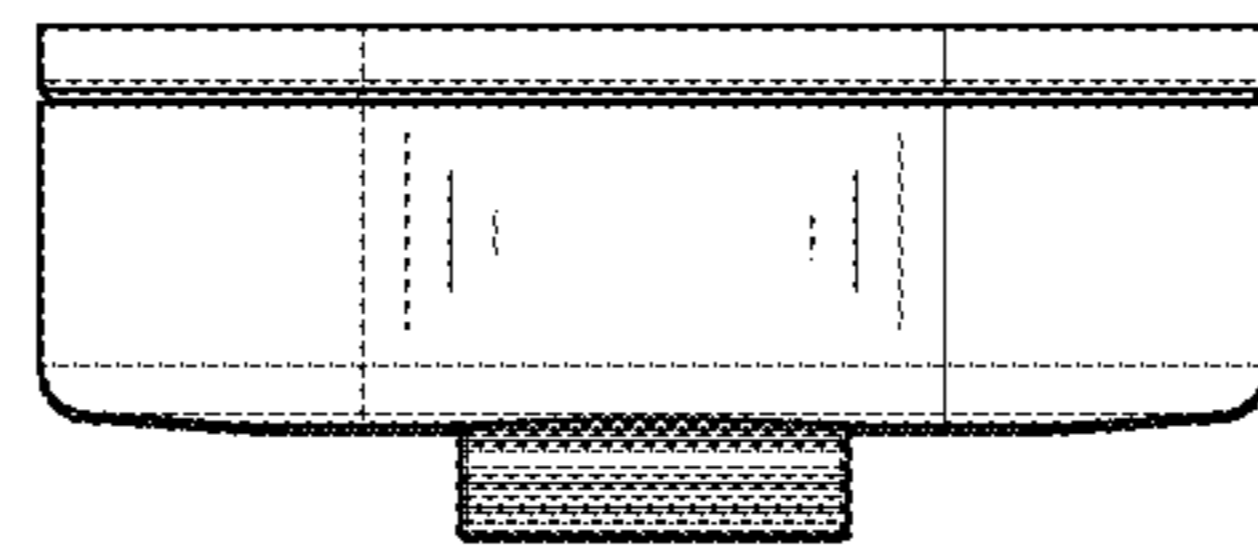


FIG. 7



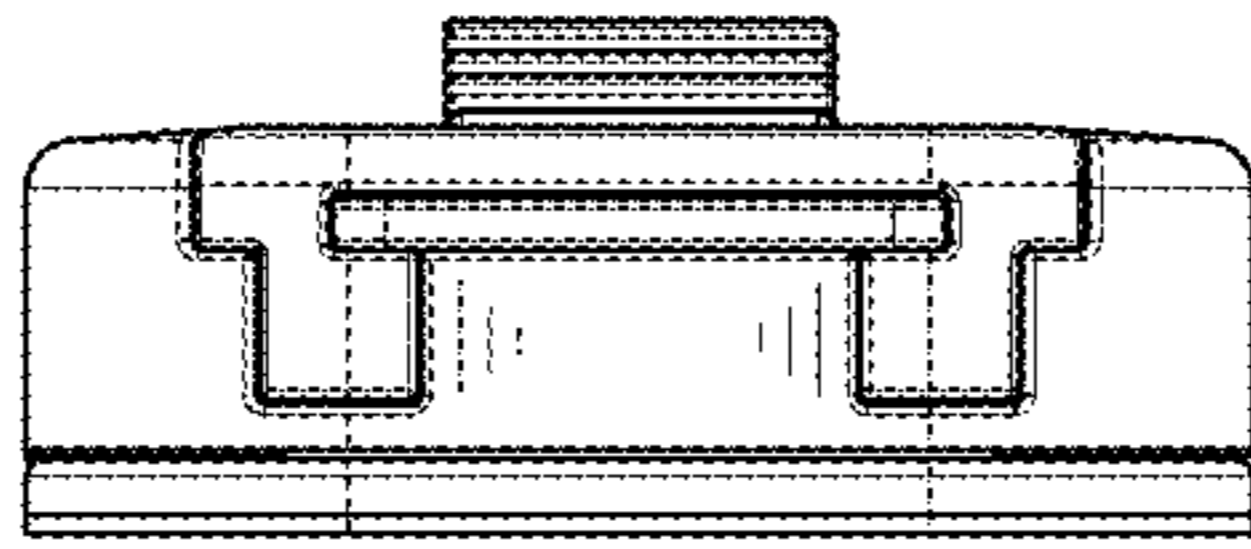


FIG. 8

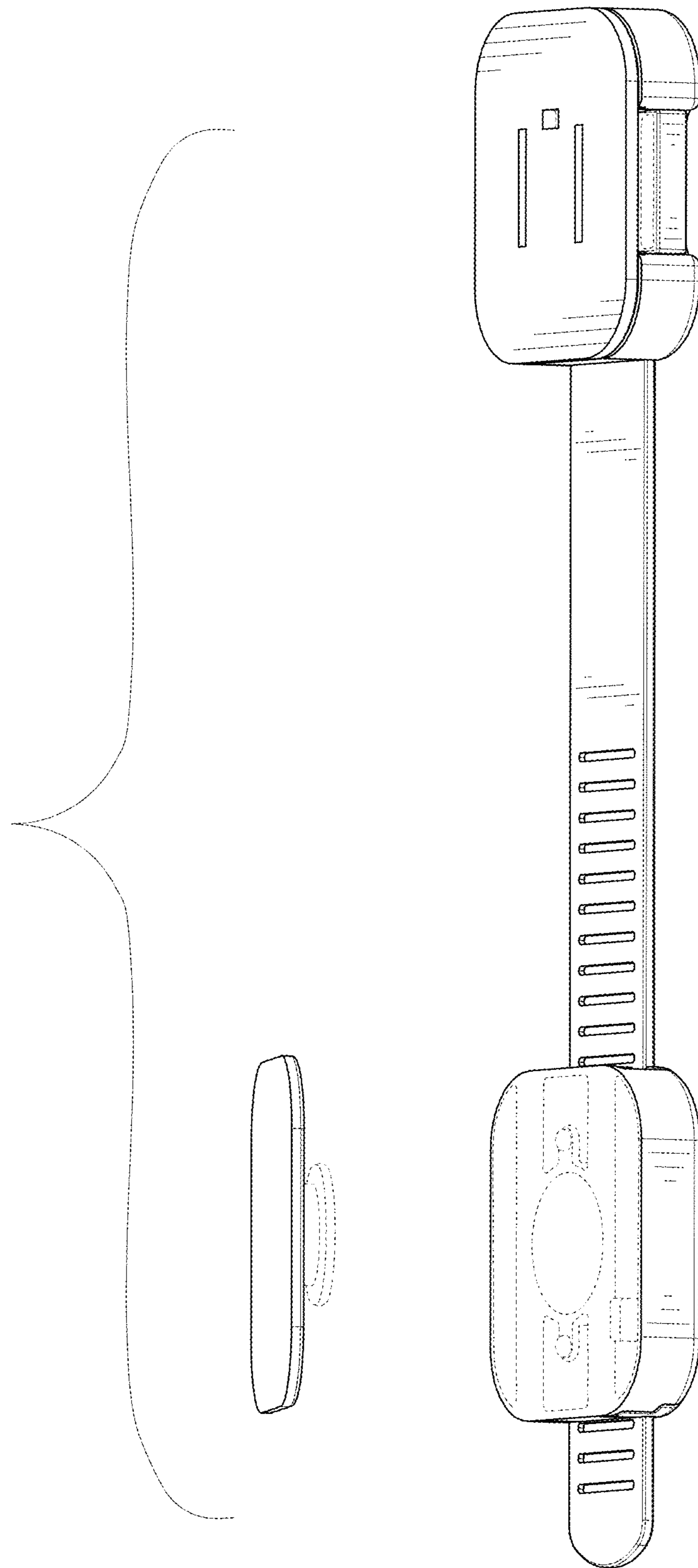


FIG. 9

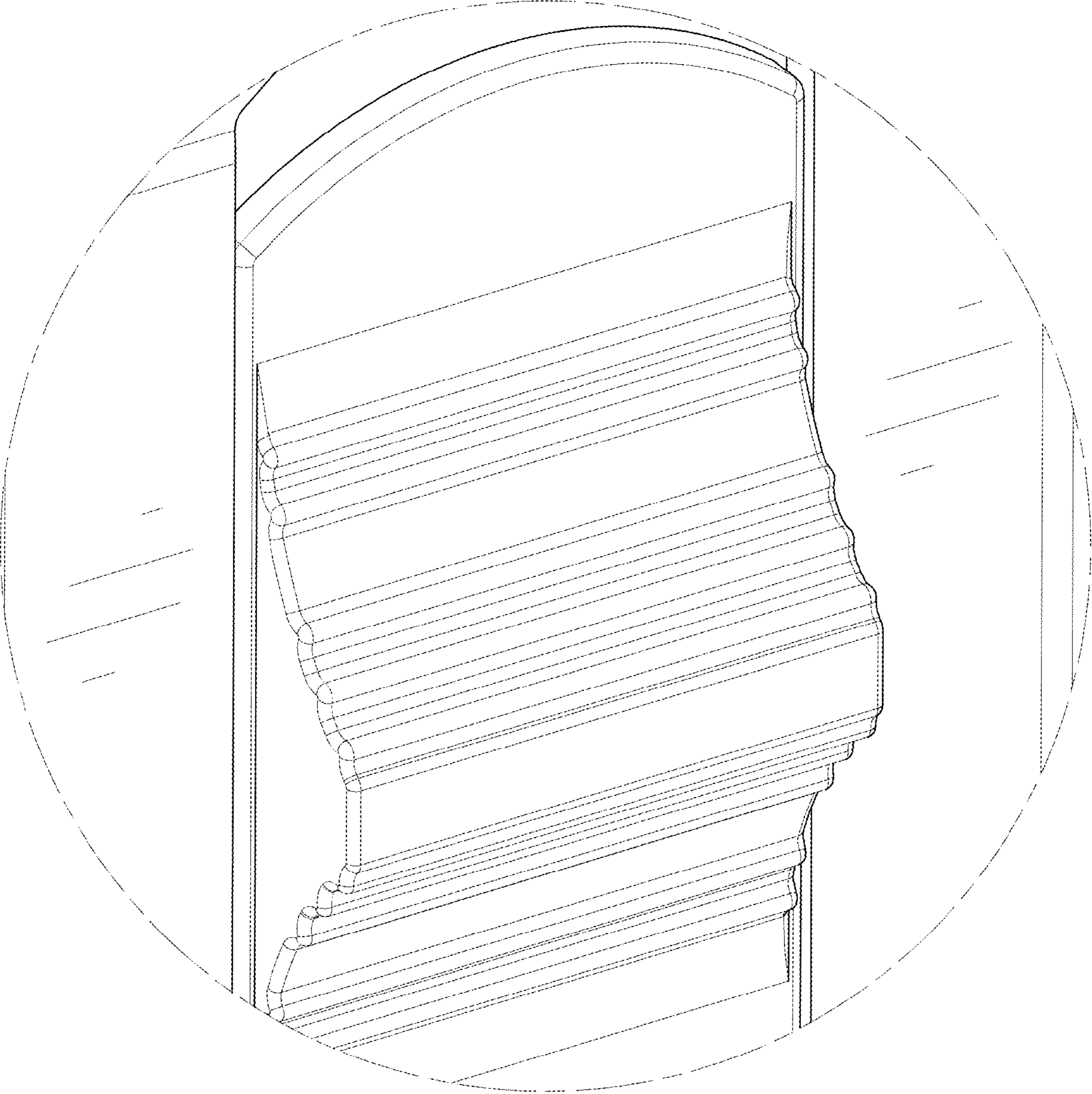


FIG. 10