



US0D1030392S

(12) **United States Design Patent** (10) **Patent No.: US D1,030,392 S**
Feng (45) **Date of Patent: ** Jun. 11, 2024**

(54) **SODA MAKER**

(71) Applicant: **CARBON8WATER, INC.**, Dover, DE (US)
(72) Inventor: **Yao Feng**, Lake Worth, FL (US)
(73) Assignee: **CARBON8WATER, INC.**, Dover, DE (US)
(**) Term: **15 Years**

(21) Appl. No.: **29/830,315**
(22) Filed: **Mar. 11, 2022**
(51) **LOC (14) Cl.** **07-01**
(52) **U.S. Cl.**
USPC **D7/306**
(58) **Field of Classification Search**
USPC D7/300, 305, 306, 307, 308, 309, 310,
D7/311, 312, 313, 378, 397, 398, 399,
D7/510
CPC .. A47G 19/12; A47G 19/14; A47G 2019/122;
A47G 19/30; A47J 31/057; A47J
31/0573; A47J 31/56; A47J 31/02; A47J
31/043; A47J 31/005; A47J 31/467; B67D
1/06; B67D 3/0009; B67D 1/0083; B67D
3/00
See application file for complete search history.

(56) **References Cited**

U.S. PATENT DOCUMENTS

4,082,123	A *	4/1978	Haythornthwaite	B01F 33/5014
					141/97
D419,821	S *	2/2000	Powell	D7/311
D442,010	S *	5/2001	Collin	D7/306
D564,273	S *	3/2008	Yang	D6/542
D597,366	S *	8/2009	Drake	D7/306
D659,452	S *	5/2012	Yang	D6/542
D679,933	S *	4/2013	Bruno	D7/306
D703,476	S *	4/2014	Behar	D7/306
D707,790	S *	6/2014	Beghelli	D7/311
D799,879	S *	10/2017	Shmueli	D7/306

(Continued)

OTHER PUBLICATIONS

Carbon8 Infinity Spring, dealerscope.com, First available date Sep. 28, 2022. Retrieved from the internet Apr. 3, 2024<https://dealerscope.com/2022/09/you-should-have-these-ifa-2022-products-on-your-radar/ (Year: 2022).*

Primary Examiner — Joseph Kukella
Assistant Examiner — Darryl J Dardenne
(74) *Attorney, Agent, or Firm* — Westbridge IP LLC

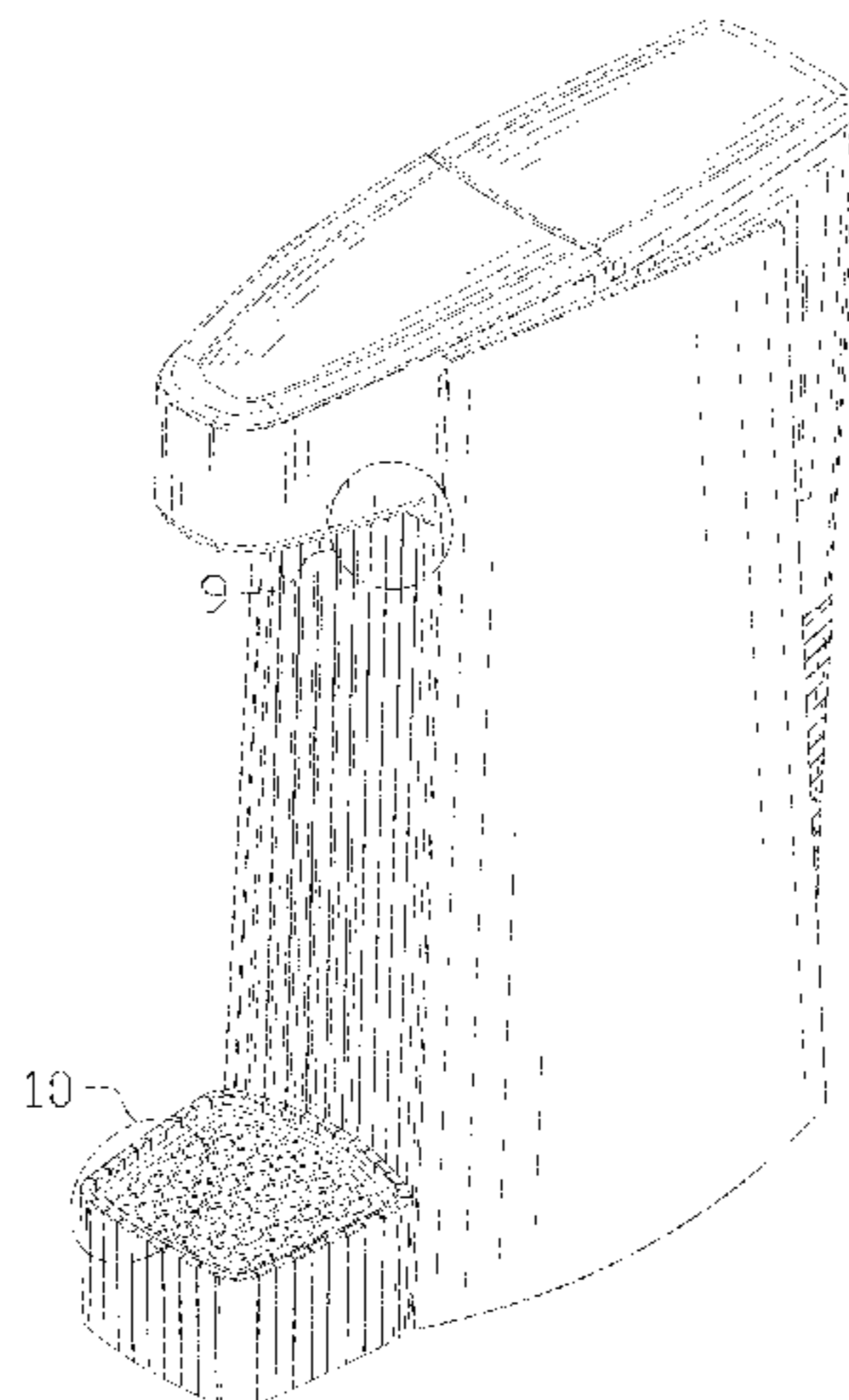
(57) **CLAIM**

The ornamental design for a soda maker, as shown and described.

DESCRIPTION

FIG. 1 is a front perspective view of a soda maker showing my new design;
FIG. 2 is a rear perspective view thereof;
FIG. 3 is a front elevation view thereof;
FIG. 4 is a rear elevation view thereof;
FIG. 5 is a left side elevation view thereof;
FIG. 6 is a right side elevation view thereof;
FIG. 7 is a top plan view thereof;
FIG. 8 is a bottom plan view thereof;
FIG. 9 is a partial enlarged view taken from circle 9 in FIG. 1;
FIG. 10 is a partial enlarged view taken from circle 10 in FIG. 1;
FIG. 11 is a partial enlarged view taken from circle 11 in FIG. 2; and,
FIG. 12 is a partial enlarged view taken from circle 12 in FIG. 2.
The dash-dash broken lines in the drawings depict the portions of the soda maker which form no part of the claimed design.
The dot-dash broken lines in the drawings are included for the purpose of depicting the partial enlarged views.

1 Claim, 12 Drawing Sheets



(56)

References Cited

U.S. PATENT DOCUMENTS

D866,236	S	*	11/2019	Zisman	D7/306
D869,217	S	*	12/2019	Stropkay	D7/306
D938,787	S	*	12/2021	Metaxatos	D7/397
D941,099	S	*	1/2022	Metaxatos	D7/300
D953,789	S	*	6/2022	Avigdor	D7/306
D962,383	S	*	8/2022	Shiloh	D7/306
D965,368	S	*	10/2022	Ben Baruch	D7/311
D965,370	S	*	10/2022	Ben Baruch	D7/311
D975,482	S	*	1/2023	Erez	D7/300
D987,349	S	*	5/2023	Aromaa	D7/306
D1,015,794	S	*	2/2024	Wei	D7/306
2023/0303378	A1	*	9/2023	Feng	B67D 1/0058

* cited by examiner

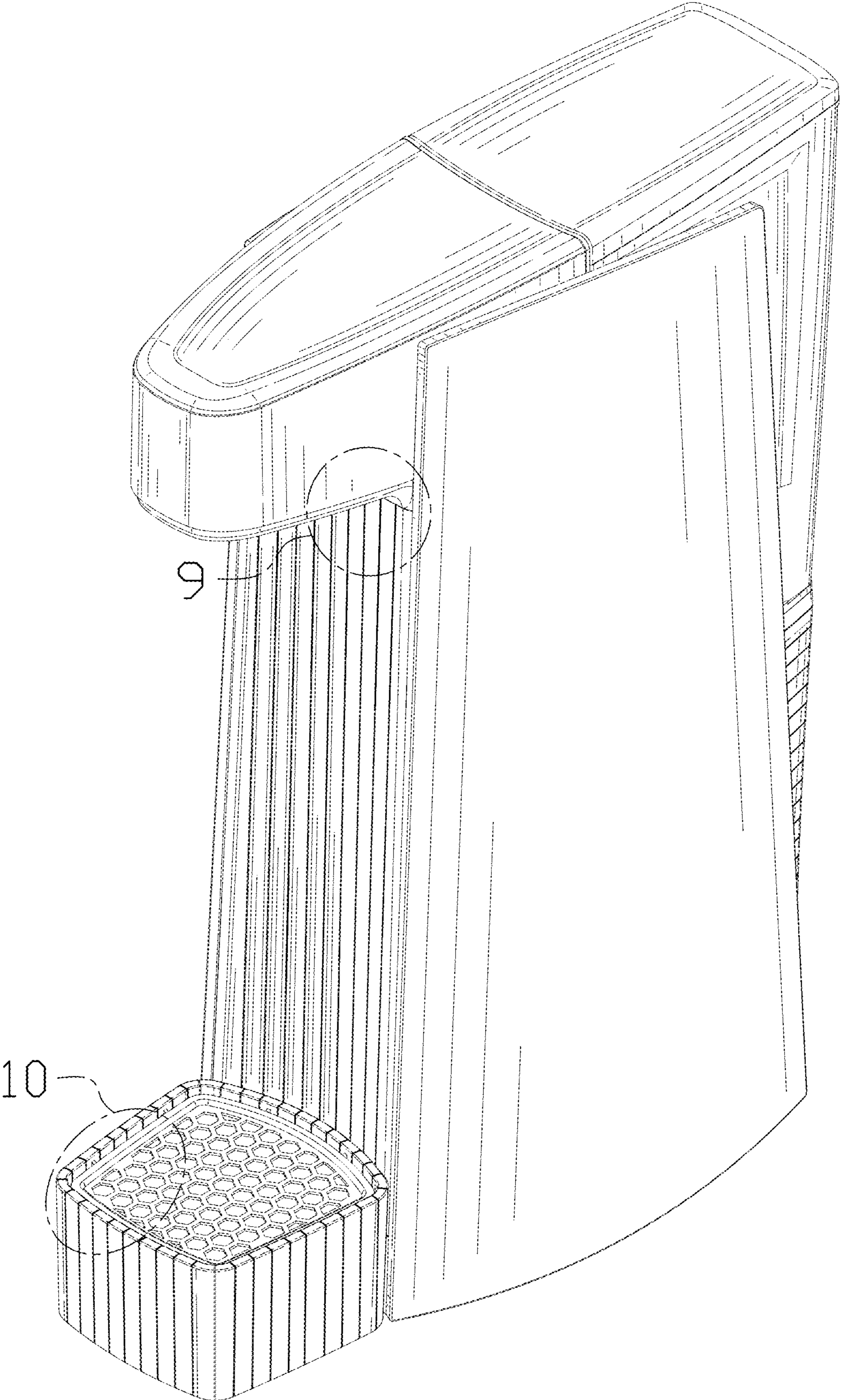


FIG. 1

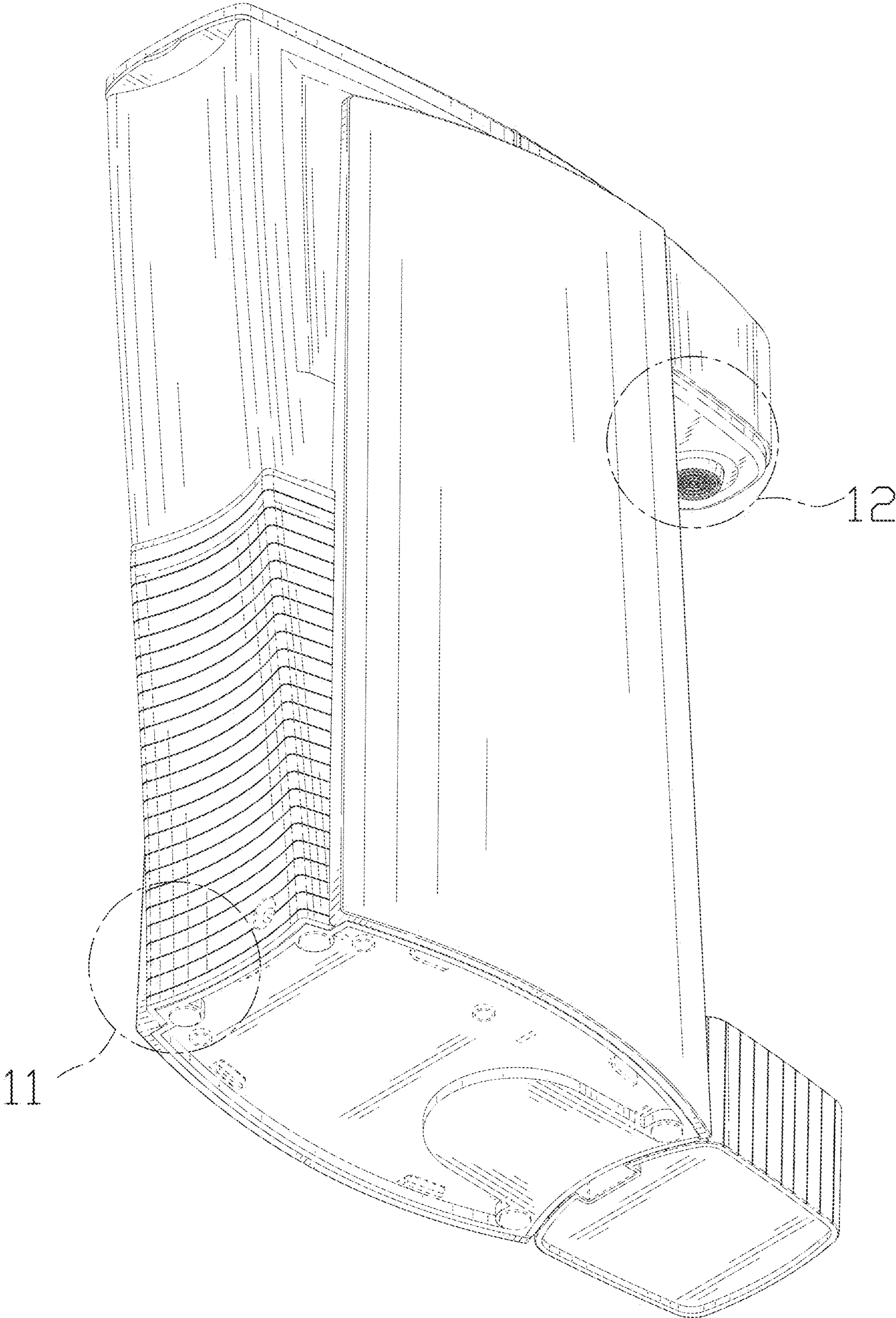


FIG. 2

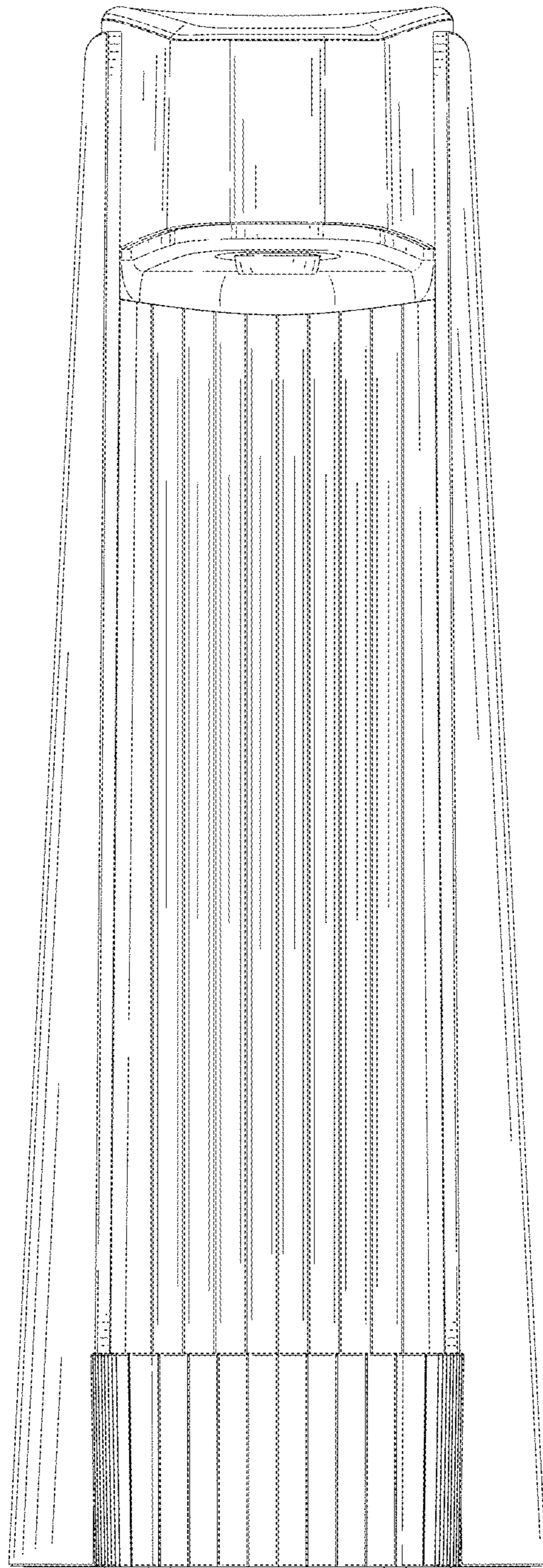


FIG. 3

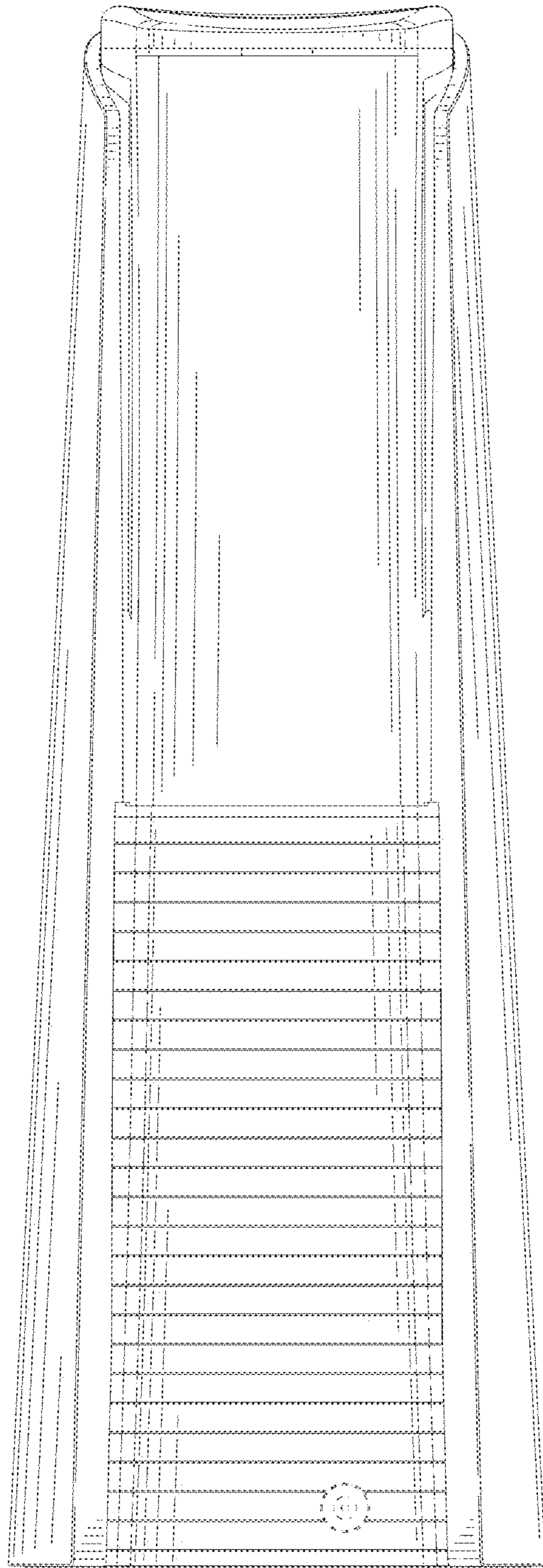


FIG. 4

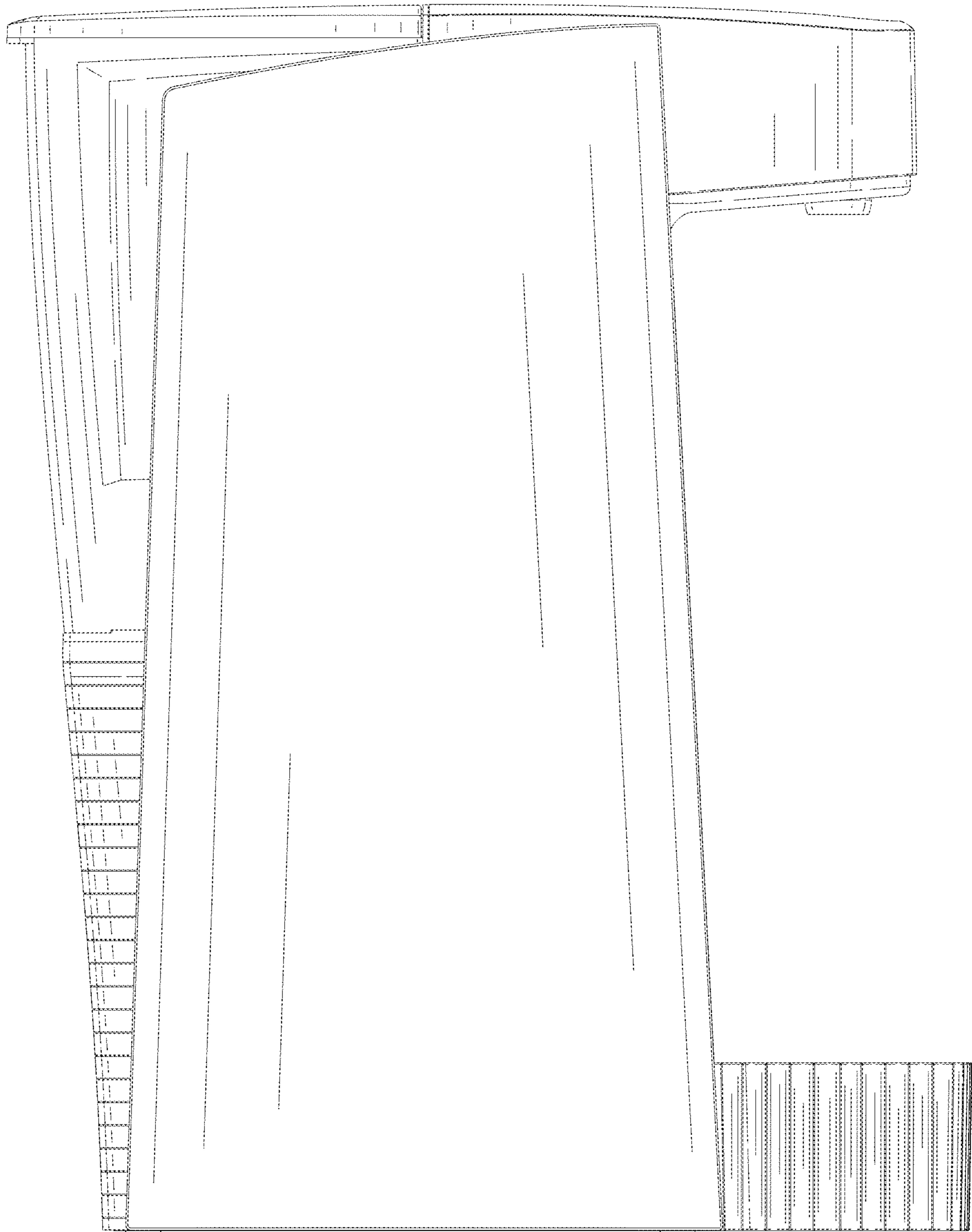


FIG. 5

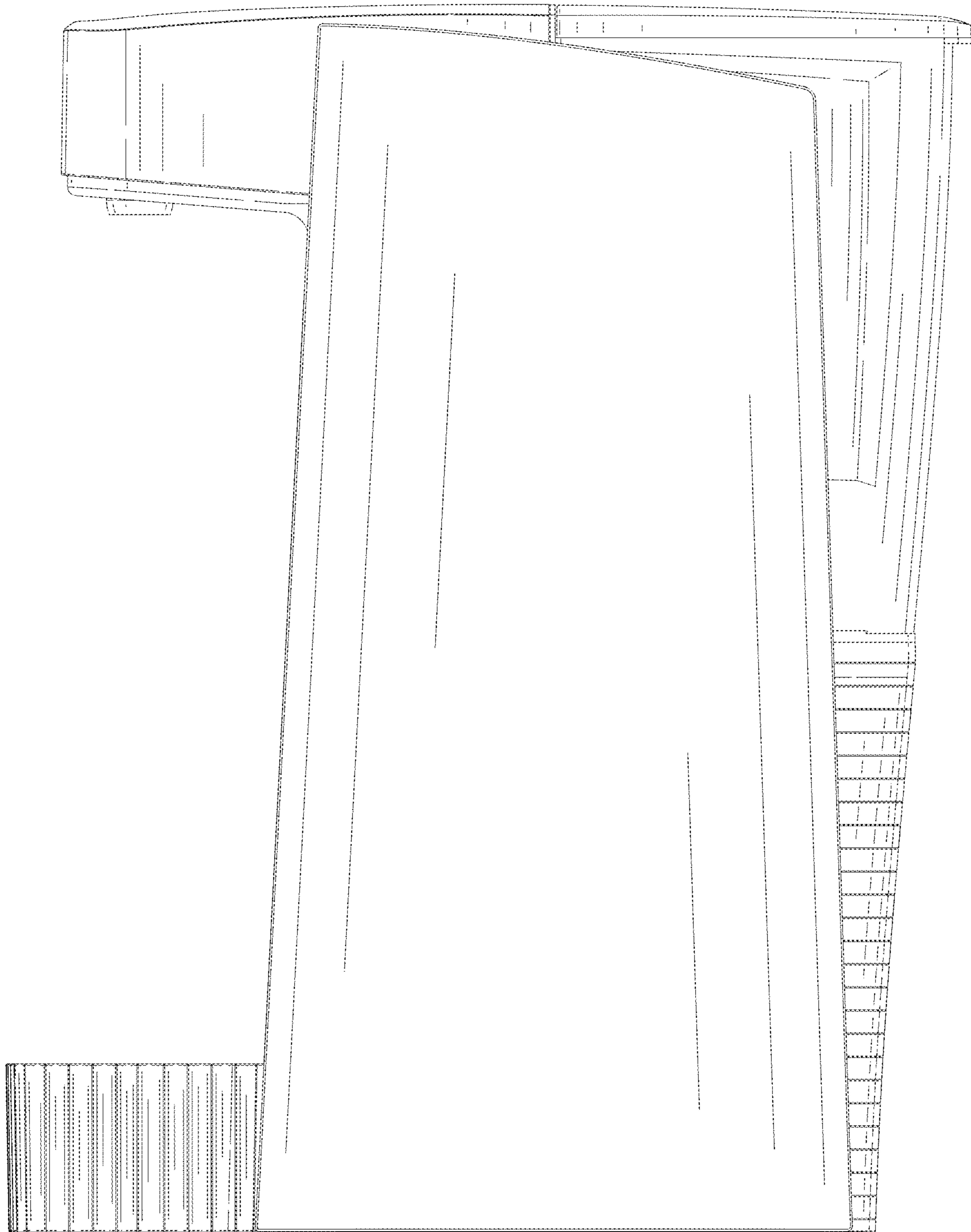


FIG. 6

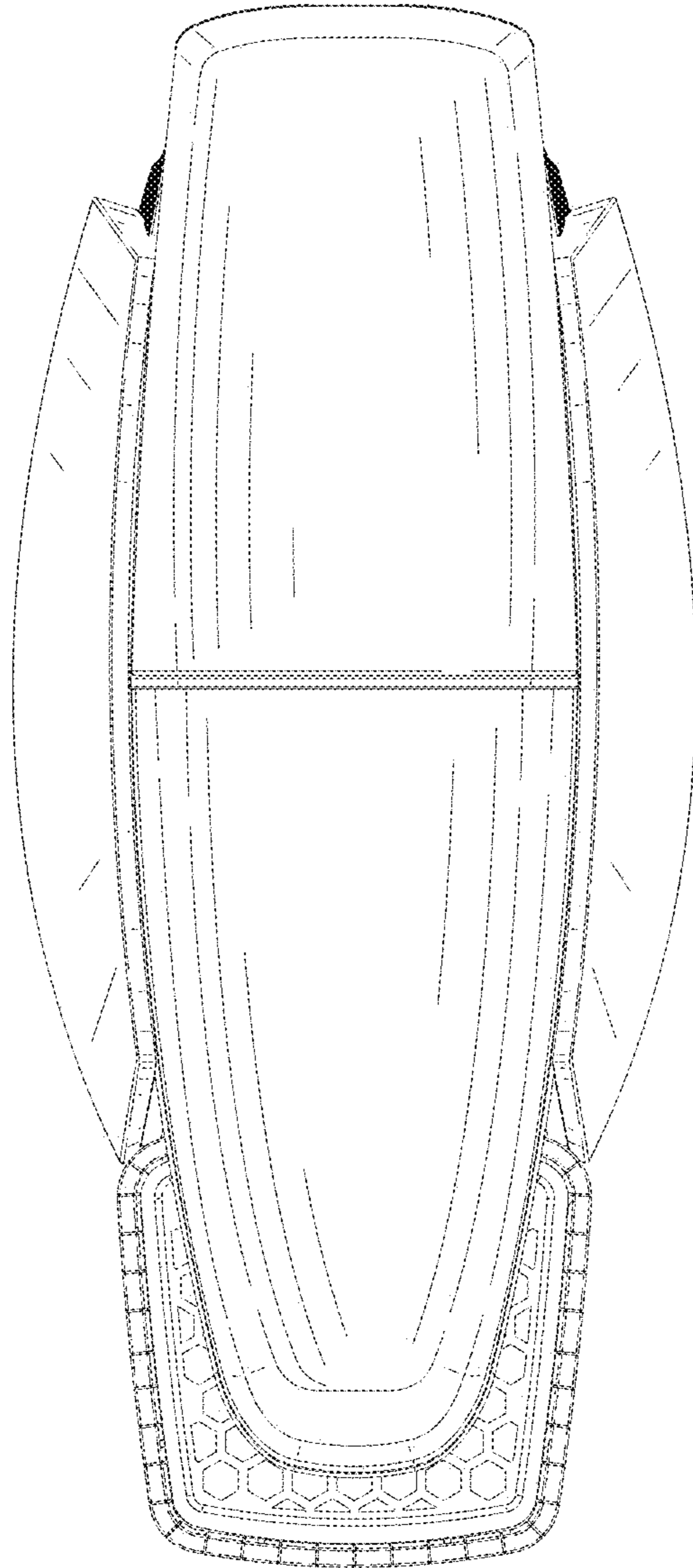


FIG. 7

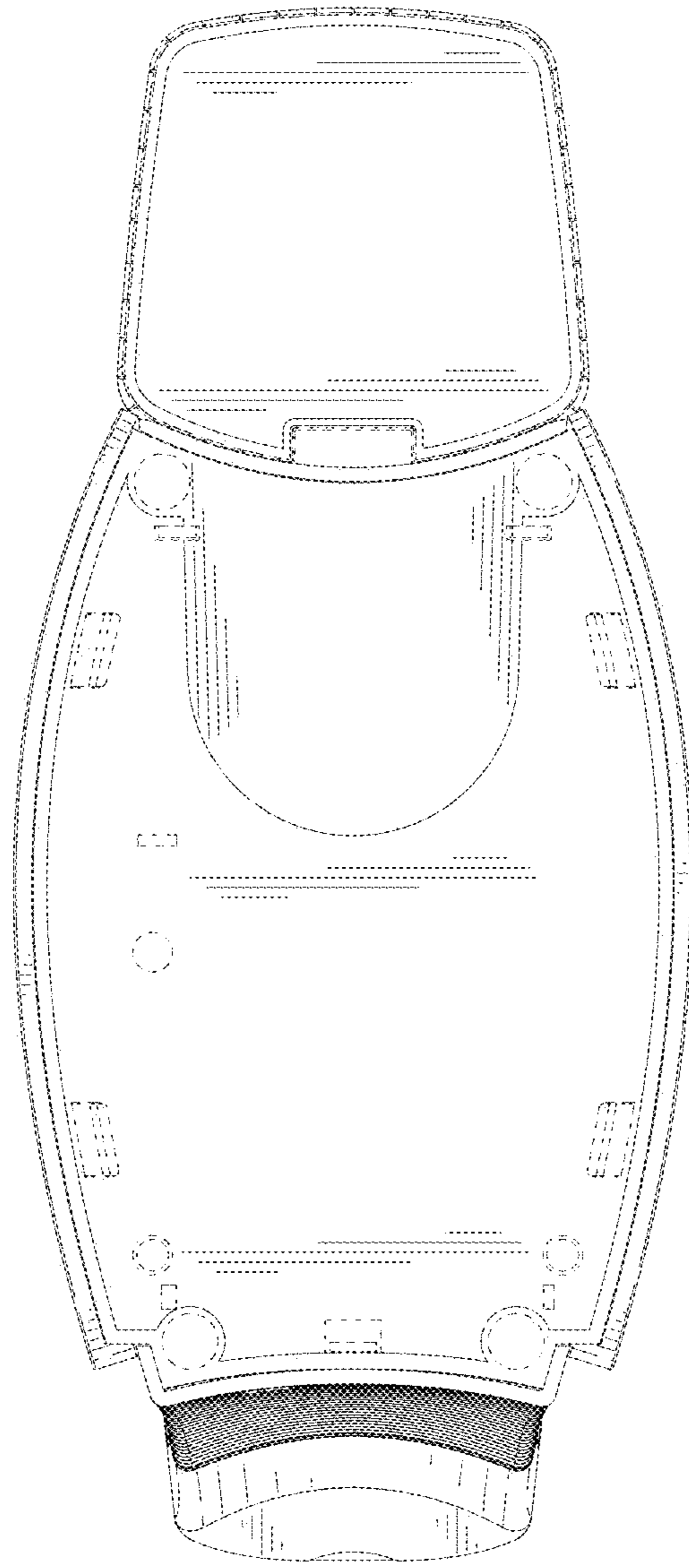


FIG. 8

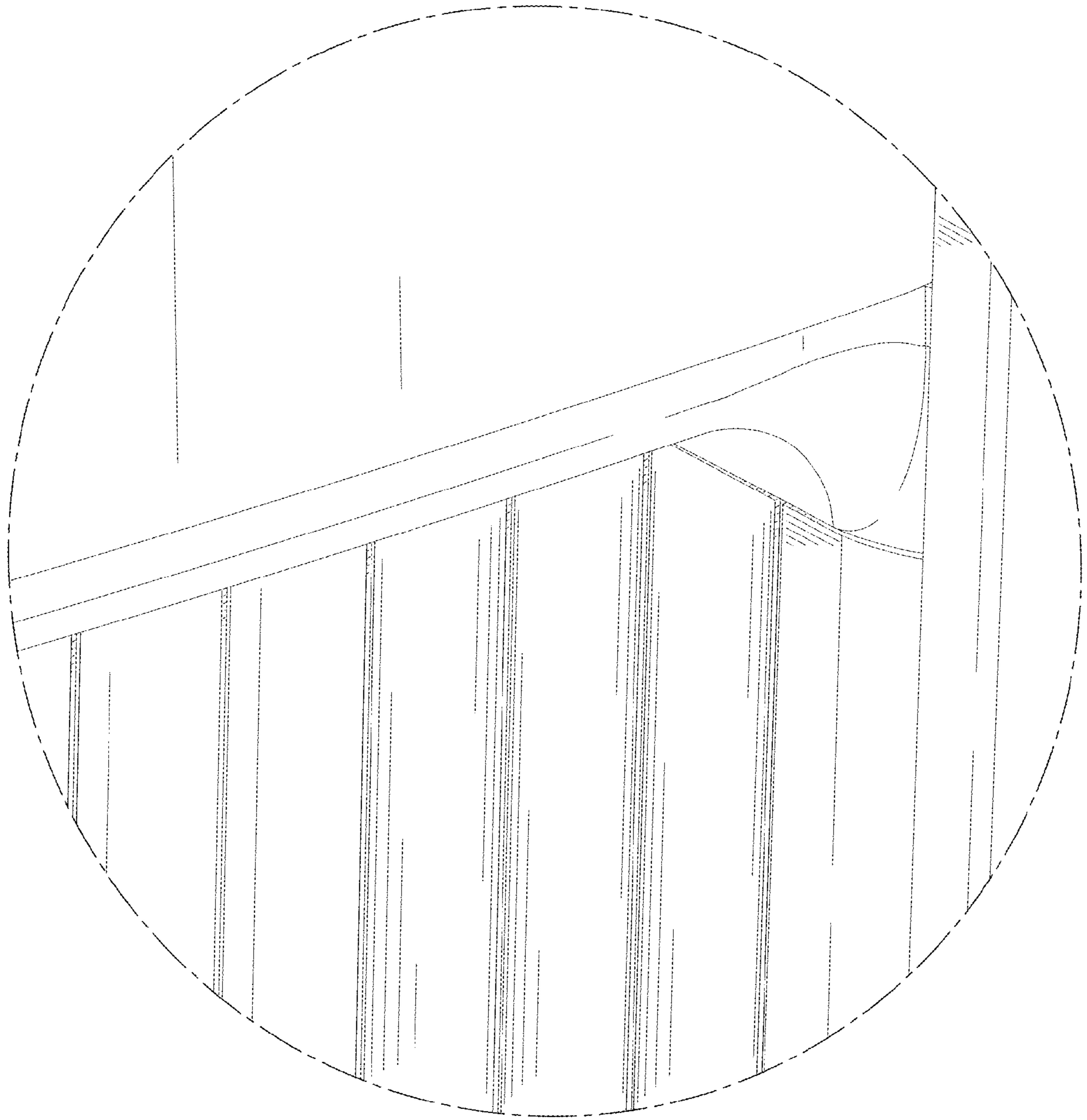


FIG. 9

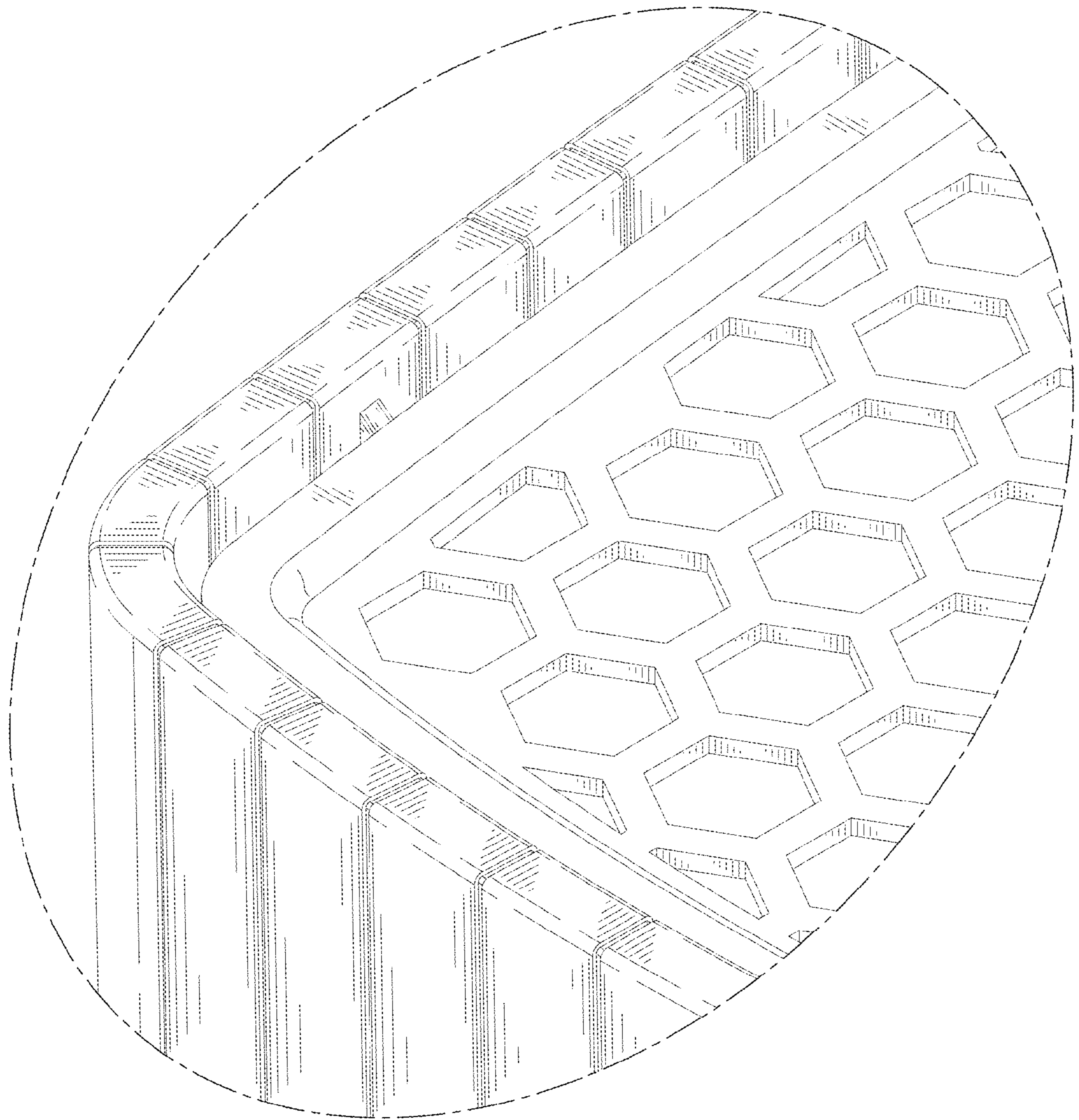


FIG. 10

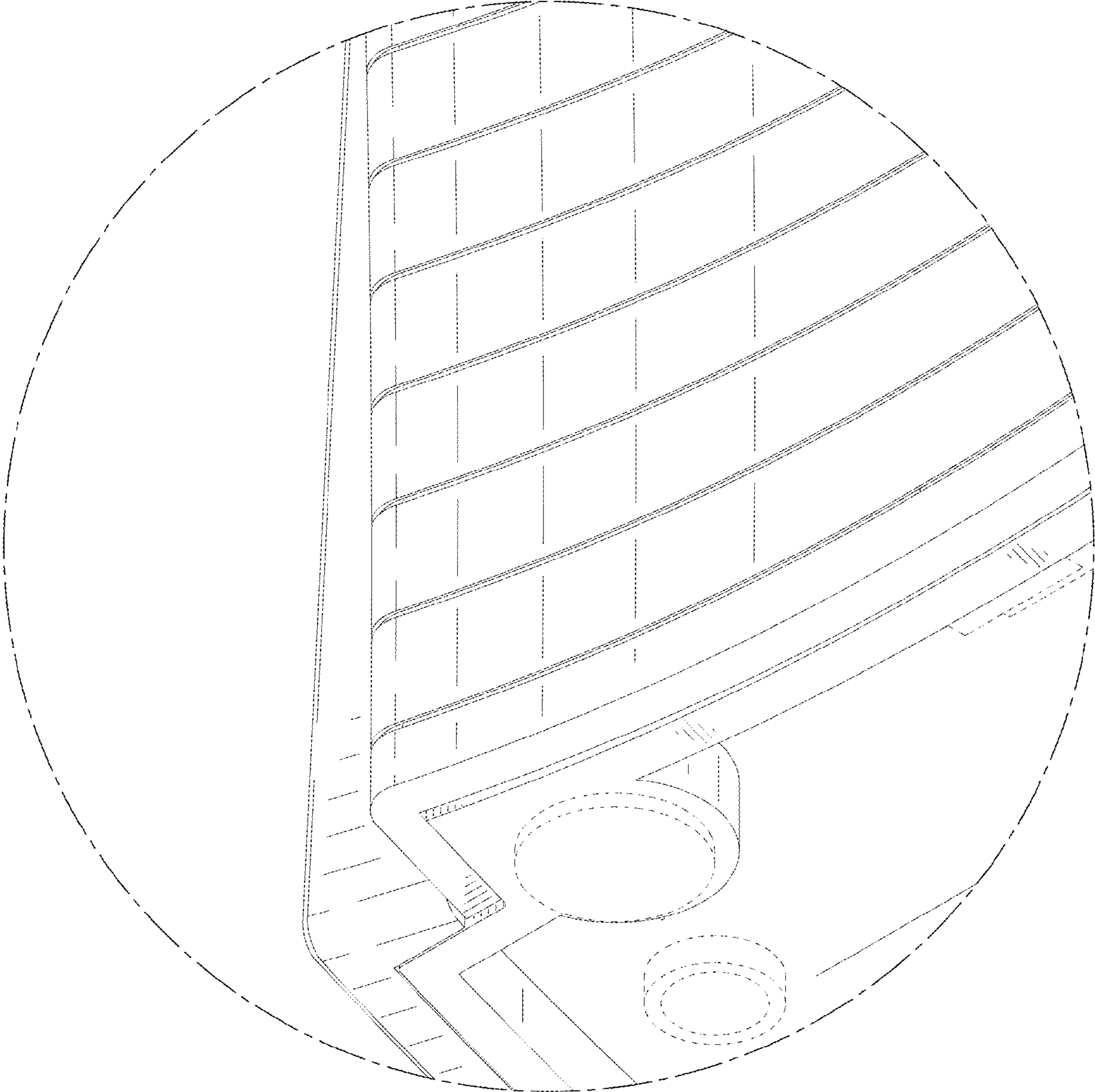


FIG. 11

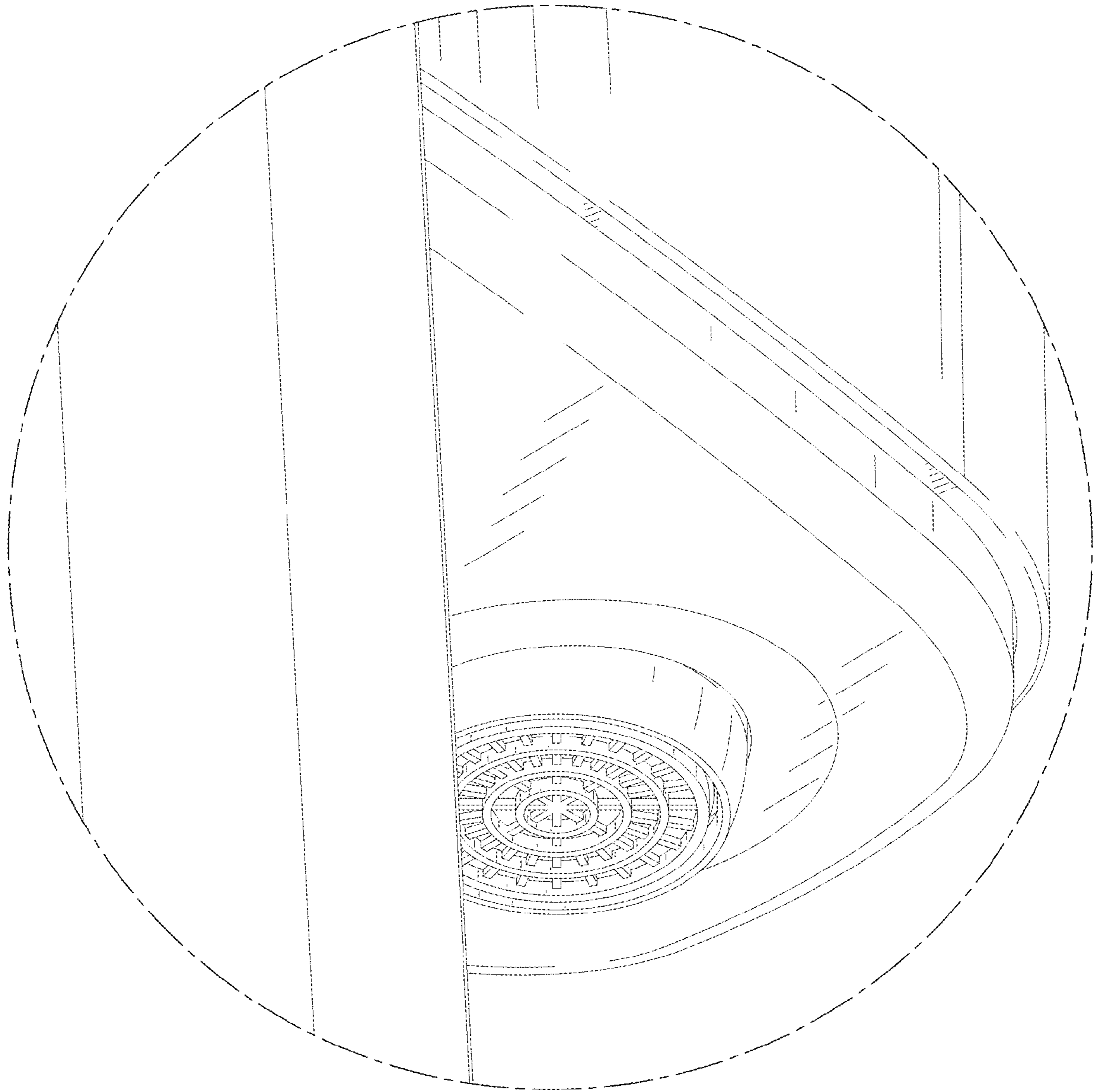


FIG. 12