



US0D1030232S

(12) **United States Design Patent**
Justice et al.

(10) **Patent No.: US D1,030,232 S**
(45) **Date of Patent: ** Jun. 11, 2024**

(54) **MEDICAL GOWN**

3,911,499 A 10/1975 Benevento et al.
4,457,907 A 7/1984 Porter
4,587,671 A 5/1986 Rodriguez et al.
(Continued)

(71) Applicant: **DePre, LLC**, Powell, TN (US)

(72) Inventors: **Mark Edward Justice**, Powell, TN (US); **Sam Griffin**, New Tazewell, TN (US); **Todd Max Cupp**, New Tazewell, TN (US); **William Todd Klempnauer**, Arlington, TX (US); **Christopher Joseph Schulze**, Knoxville, TN (US); **Ethan Edward Valentine**, Knoxville, TN (US); **Robert E. Andrews**, Falmouth, ME (US); **Samuel E. Darcy**, Cleveland, WI (US); **Scott A. Roehrborn**, Sheboygan, WI (US); **Jeffrey W. Fritz**, Plymouth, WI (US)

(73) Assignee: **DePre, LLC**, Powell, TN (US)

(**) Term: **15 Years**

(21) Appl. No.: **29/824,629**

(22) Filed: **Jan. 26, 2022**

(51) **LOC (14) Cl.** **02-01**

(52) **U.S. Cl.**
USPC **D2/720**

(58) **Field of Classification Search**
USPC D2/718–720, 739
CPC ... A41D 13/1245; A41D 13/129; A41D 13/12
See application file for complete search history.

(56) **References Cited**

U.S. PATENT DOCUMENTS

1,766,272 A	6/1930	Vallier
3,443,260 A	5/1969	Graham et al.
3,451,062 A	6/1969	Bradley
3,720,957 A	3/1973	Patience
3,745,587 A	7/1973	Bradley
3,815,153 A	6/1974	Vitol
3,824,625 A	7/1974	Green

OTHER PUBLICATIONS

Personal Touch Hospital gowns, posted Mar. 25, 2010 [online], (retrieved Jun. 27, 2023). Retrieved from the internet, <https://www.amazon.com/Hospital-Gowns-Wholesale-Medical-pack/dp/B000KFWJLS> (Year: 2010).*

Primary Examiner — J. Thorn, Sr.
(74) *Attorney, Agent, or Firm* — Baker, Donelson, Bearman, Caldwell & Berkowitz, P.C.; Edward D. Lanquist, Jr.; Dominic A. Rota

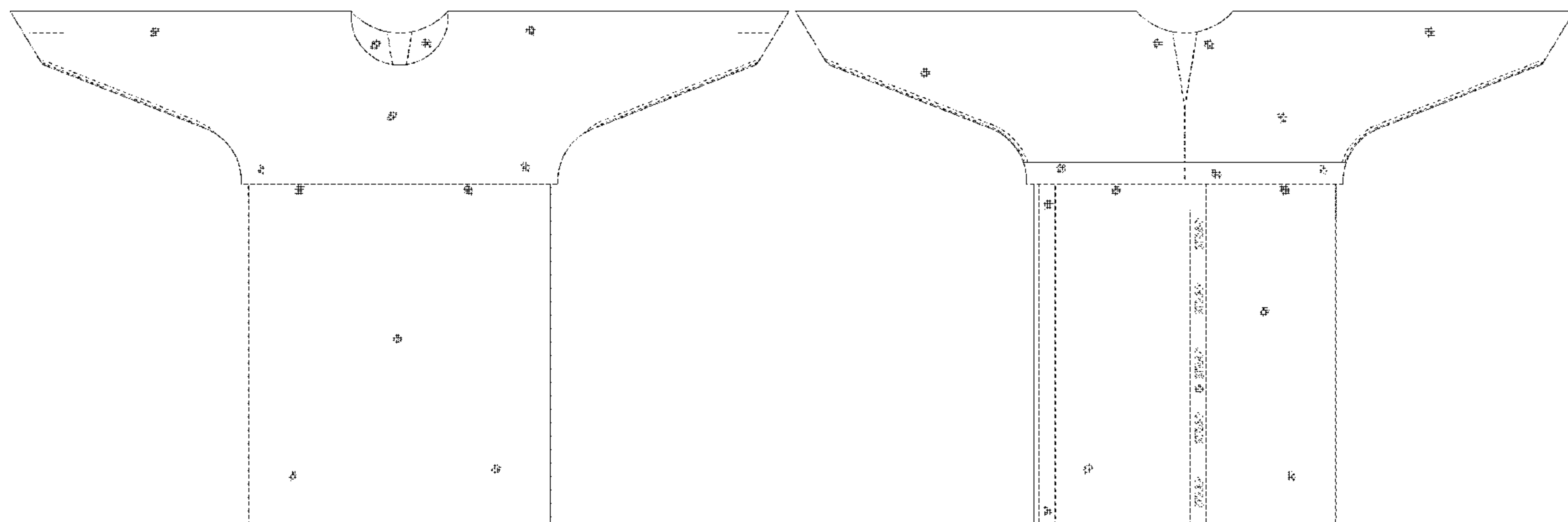
(57) **CLAIM**

What is claimed is the ornamental design for a medical gown, as shown and described.

DESCRIPTION

FIG. 1 is a front elevation view showing the medical gown of Applicants' invention.
FIG. 2 is a rear elevation view of the medical gown of FIG. 1.
FIG. 3 is a front perspective view of the medical gown of FIG. 1.
FIG. 4 is a rear perspective view of the medical gown of FIG. 1.
FIG. 5 is an enlarged rear perspective view of the medical gown of FIG. 1 taken of "area 5" shown in FIG. 4.
FIG. 6 is an enlarged rear perspective view of the medical gown of FIG. 1 taken from a perspective of "arrow 6" shown in FIG. 4; and,
FIG. 7 is an enlarged rear perspective view of the medical gown of FIG. 1 taken from a perspective of "arrow 7" shown in FIG. 4.
The "dash-dash" broken lines show portions of a medical gown which form no part of the claimed design.

1 Claim, 6 Drawing Sheets



(56)

References Cited

U.S. PATENT DOCUMENTS

4,608,719 A	9/1986	Lunt	D821,704 S	7/2018	Pasko
4,829,602 A	5/1989	Harreld et al.	10,039,610 B2	8/2018	Allen
4,845,779 A	7/1989	Wheeler et al.	D827,247 S	9/2018	Genender et al.
4,951,318 A	8/1990	Harreld et al.	10,117,470 B2	11/2018	Reese et al.
4,964,173 A	10/1990	Gordon et al.	D836,297 S	12/2018	Pasko
4,975,984 A	12/1990	Sting	10,159,437 B2	12/2018	Haines
5,025,501 A	6/1991	Dillon	D844,287 S	4/2019	Pasko et al.
D336,968 S	7/1993	Russano	10,271,916 B2	4/2019	Allen
5,228,141 A	7/1993	Remsky et al.	D851,772 S	6/2019	Haines et al.
5,444,873 A	8/1995	Levin	D855,936 S	8/2019	Genender et al.
5,594,830 A	1/1997	Winston et al.	D857,336 S	8/2019	Calucci et al.
7,470,280 B2	12/2008	Bieberich	D863,727 S	10/2019	Pasko
D598,638 S	8/2009	Graneto, III	10,441,010 B2	10/2019	Pasko et al.
D622,934 S	9/2010	Graneto, III	10,441,011 B2	10/2019	Pasko et al.
7,802,313 B2	9/2010	Czajka	10,448,685 B2	10/2019	Czajka et al.
7,819,911 B2	10/2010	Anderson et al.	10,455,872 B2	10/2019	Pasko
7,857,841 B2	12/2010	Anderson et al.	10,470,504 B2	11/2019	Pasko et al.
7,871,429 B2	1/2011	Anderson et al.	10,470,506 B2	11/2019	Pasko
7,886,742 B2	2/2011	Haines et al.	D871,720 S	1/2020	Pasko
7,914,566 B2	3/2011	Anderson et al.	D876,048 S *	2/2020	Palomo D2/720
7,971,274 B2	7/2011	Graneto, III	10,617,161 B2	4/2020	Walrich et al.
8,097,031 B2	1/2012	Anderson et al.	10,617,162 B2	4/2020	Genender et al.
8,123,790 B2	2/2012	Bieberich	10,638,803 B2	5/2020	Graham
8,141,172 B2	3/2012	Furlong	D889,075 S	7/2020	Burke et al.
8,313,519 B2	11/2012	Anderson et al.	D889,076 S	7/2020	Hamilton-Roque et al.
8,371,306 B2	2/2013	Haines et al.	10,750,799 B2	8/2020	Feldman
D681,915 S	5/2013	Walrich et al.	D933,937 S *	10/2021	Colyer D2/739
8,491,645 B2	7/2013	Anderson et al.	D946,239 S *	3/2022	Markoglou D2/720
D687,209 S	8/2013	Levine	D946,866 S *	3/2022	Palomo D2/720
8,950,017 B2	2/2015	Czajka et al.	D989,440 S *	6/2023	Martin-Frye D2/720
8,990,966 B2	3/2015	Von Furstenberg et al.	2011/0167534 A1	7/2011	Wong et al.
D736,493 S	8/2015	Pasko	2013/0003526 A1	1/2013	Novak et al.
D741,044 S	10/2015	Pasko	2013/0269079 A1	10/2013	Carey
9,357,806 B2	6/2016	Terrell	2013/0276204 A1	10/2013	Pasko et al.
D764,748 S	8/2016	Czajka et al.	2013/0318682 A1	12/2013	Graneto, III
9,439,462 B2	9/2016	Czajka et al.	2014/0000731 A1	1/2014	Sciuto et al.
9,480,290 B2	11/2016	Czajka et al.	2014/0020151 A1	1/2014	Czajka
D774,729 S	12/2016	Pasko	2015/0135398 A1	5/2015	Czajka et al.
9,521,871 B2	12/2016	Bolla	2016/0066631 A1	3/2016	Pasko
D779,155 S	2/2017	Pasko et al.	2016/0088886 A1	3/2016	Kirwan et al.
D779,156 S	2/2017	Pasko	2018/0092412 A1	4/2018	Genender et al.
D785,284 S	5/2017	Pasko	2018/0192713 A1	7/2018	Genender et al.
D787,780 S	5/2017	Pasko et al.	2018/0213858 A1	8/2018	Malczyk
D787,781 S	5/2017	Scogin	2018/0228231 A1	8/2018	Johnson
9,636,180 B2	5/2017	Haines et al.	2018/0343940 A1	12/2018	Genender et al.
9,642,404 B2	5/2017	Giles et al.	2019/0343198 A1	11/2019	Palomo et al.
9,687,093 B2	6/2017	Giles et al.	2020/0015529 A1	1/2020	Hassan et al.
D791,434 S	7/2017	Pasko	2020/0121006 A1	4/2020	Randall et al.
D792,056 S	7/2017	Reese et al.	2020/0154801 A1	5/2020	Burke et al.
D796,781 S	9/2017	Calucci	2020/0205492 A1	7/2020	Chua et al.
9,770,059 B2	9/2017	Reese et al.	2020/0215838 A1	7/2020	Burghardt et al.
9,776,024 B2	10/2017	Czajka et al.	2020/0281287 A1	9/2020	Pasko
D805,733 S *	12/2017	Reese D2/720	2020/0323293 A1	10/2020	Choudhury et al.
9,854,858 B2	1/2018	Czajka et al.	2021/0401092 A1 *	12/2021	Wilfong A41D 31/10
9,889,040 B2	2/2018	Anderson et al.	2021/0401093 A1 *	12/2021	Newsome A41D 27/10
D811,692 S	3/2018	Cherry	2022/0273057 A1 *	9/2022	Ponich A41D 13/1209
			2023/0029804 A1 *	2/2023	Paulasir A41D 13/1245

* cited by examiner

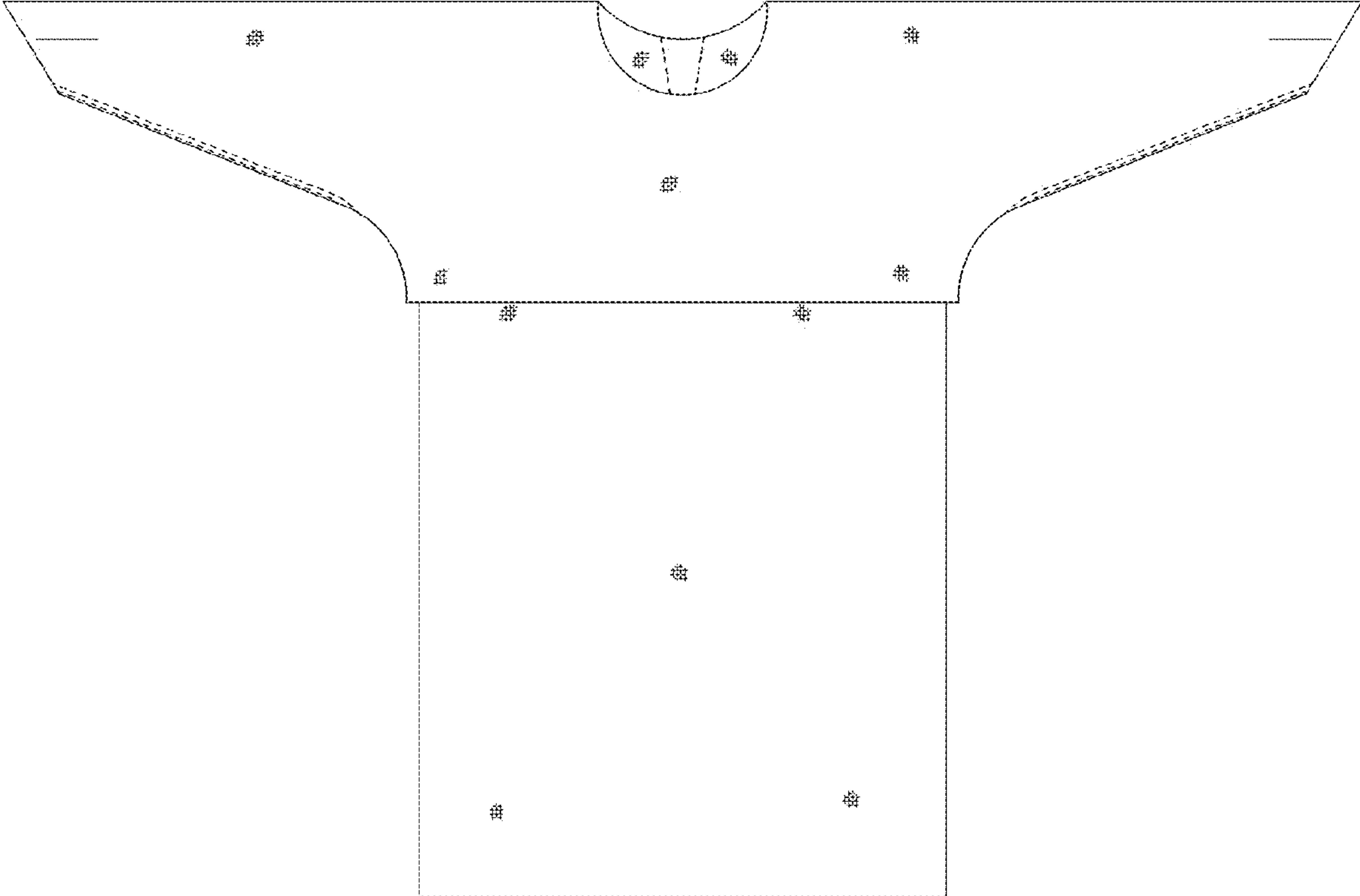


FIG. 1

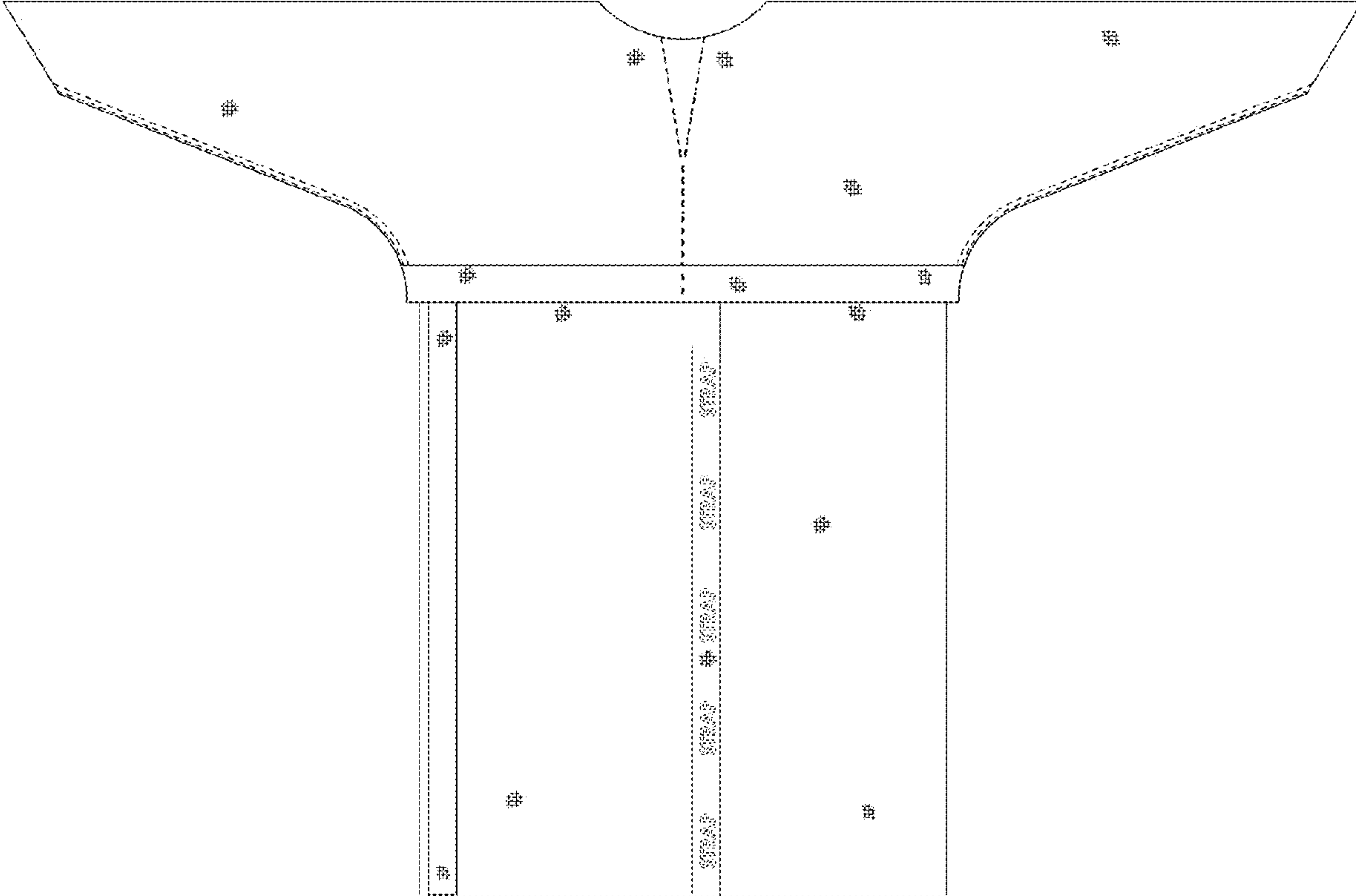


FIG. 2

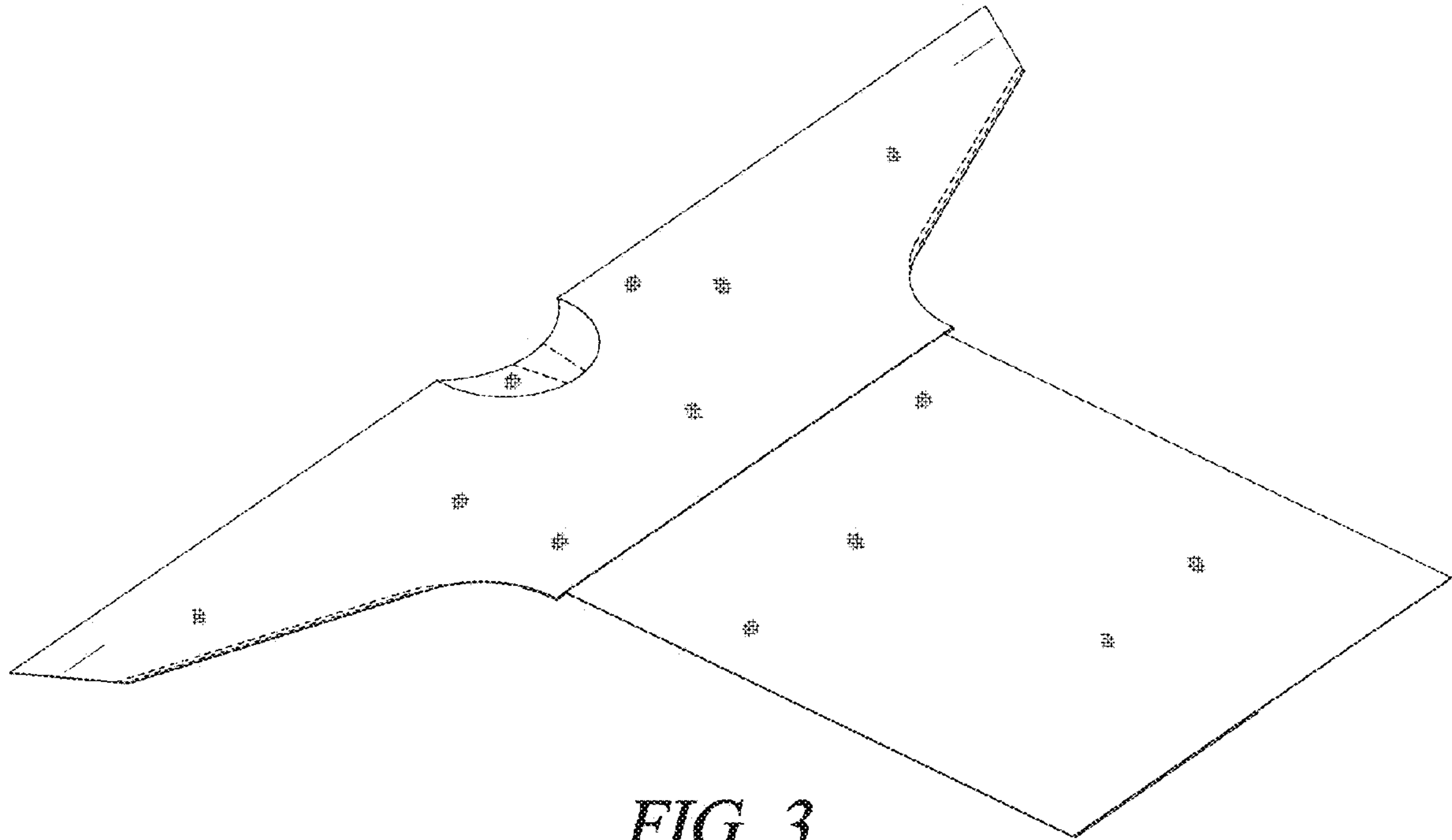


FIG. 3

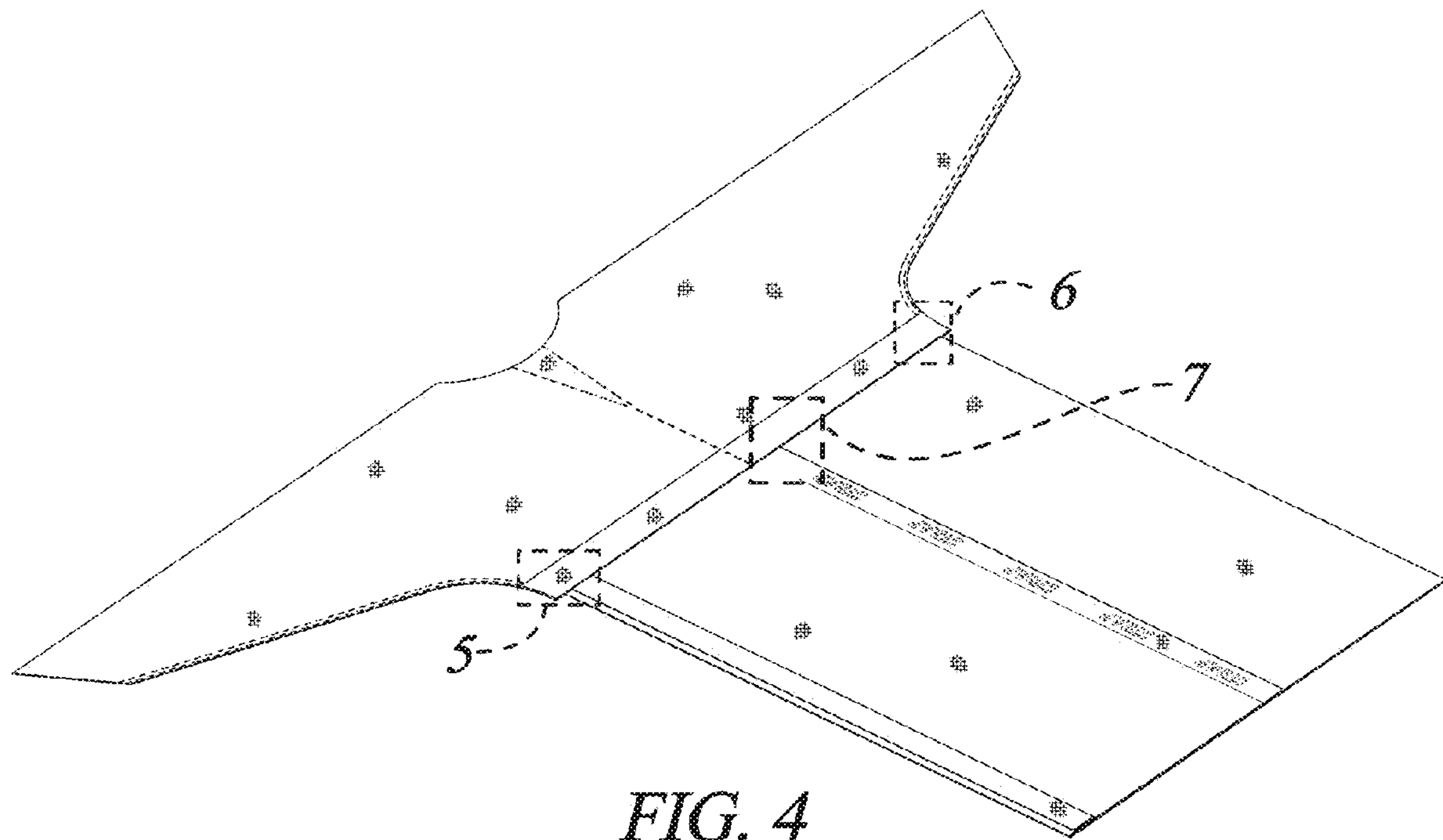


FIG. 4

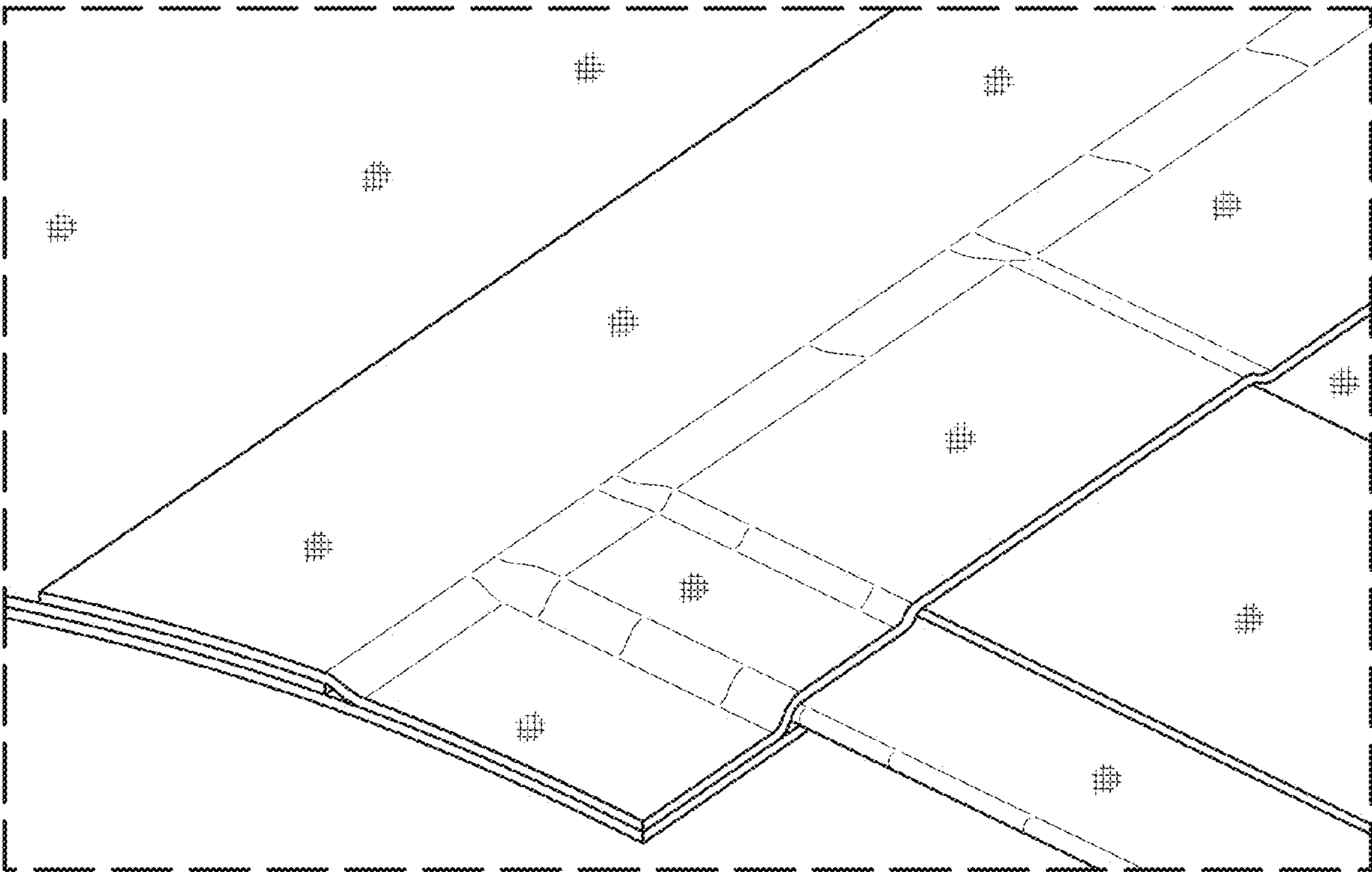


FIG. 5

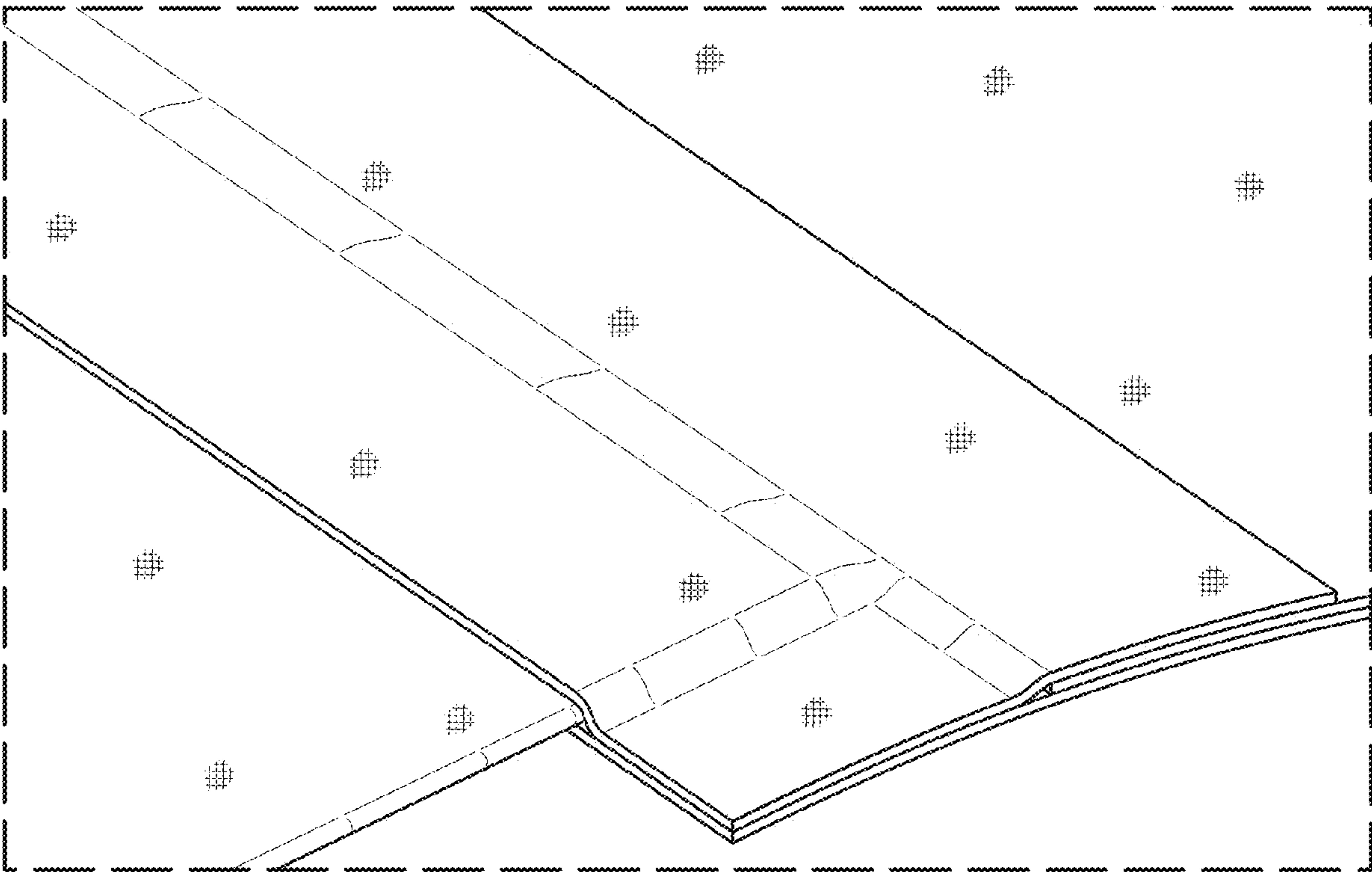


FIG. 6

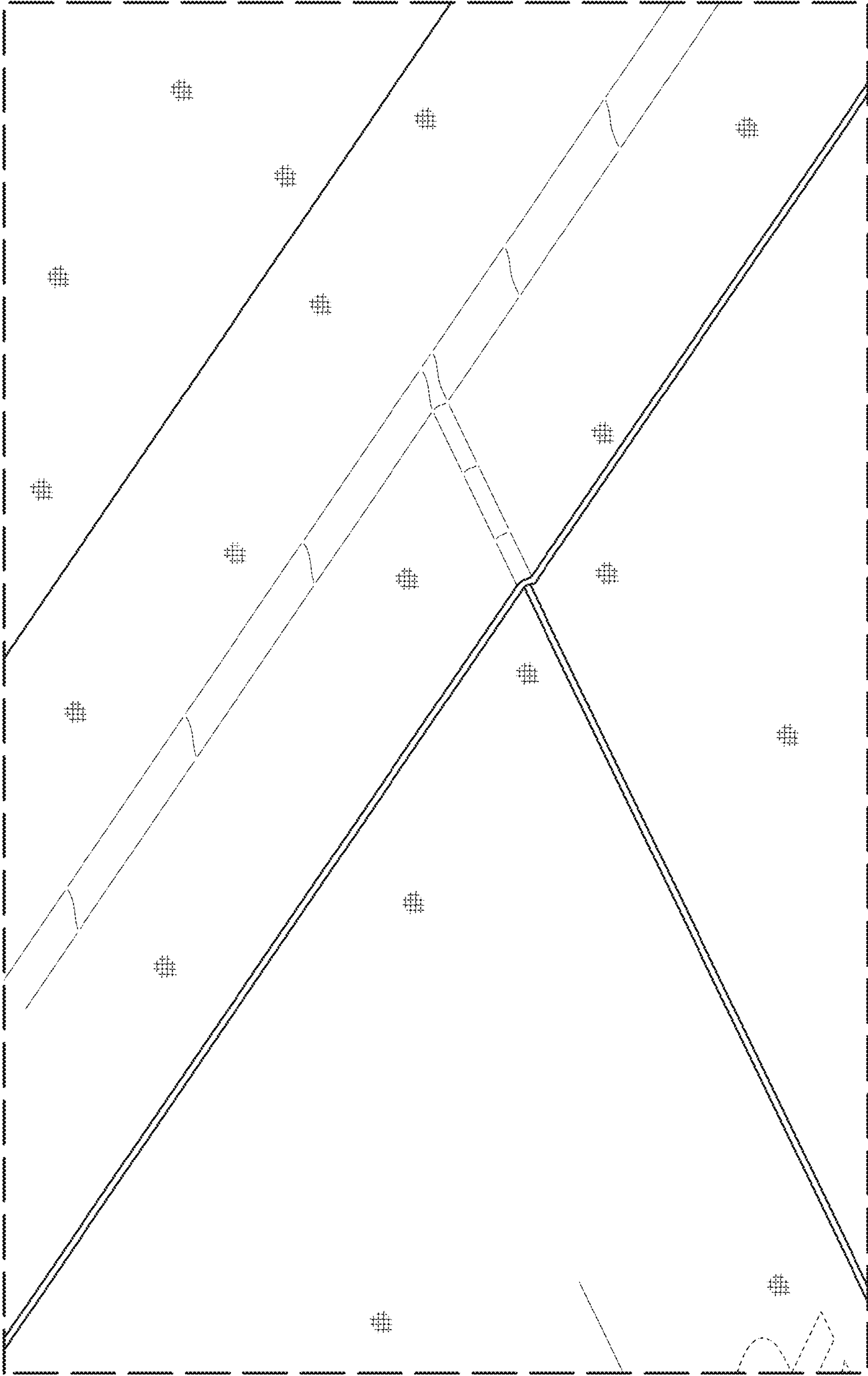


FIG. 7