



US0D1030182S

(12) **United States Design Patent** (10) **Patent No.:** **US D1,030,182 S**
Abderrazak (45) **Date of Patent:** **** Jun. 4, 2024**

(54) **SAFE PACKAGE**
(71) Applicant: **Hassan Abderrazak**, Windermere, FL (US)
(72) Inventor: **Hassan Abderrazak**, Windermere, FL (US)
(**) Term: **15 Years**

4,836,626 A * 6/1989 Taylor A47B 47/03
312/263
D308,279 S * 5/1990 Hill D99/28
D327,793 S * 7/1992 McGrory D99/28
D549,425 S * 8/2007 Burns D99/35
D557,875 S * 12/2007 Stuhlberg D99/28
D576,940 S * 9/2008 Maynard D13/102
D620,675 S * 7/2010 Doettingling D99/28
D698,515 S * 1/2014 Kim D99/28

(Continued)

(21) Appl. No.: **29/832,420**
(22) Filed: **Mar. 28, 2022**
(51) **LOC (14) Cl.** **99-00**
(52) **U.S. Cl.**
USPC **D99/28**
(58) **Field of Classification Search**
USPC D99/28, 34, 35, 36, 43, 99; D3/900, 901,
D3/902, 903, 905, 201, 272, 273;
D18/3.1, 3.3, 12.1
CPC A45C 1/12; A45C 2001/125; A45C
2001/102; A45C 2001/104; A45C
2001/006; A45C 2001/003; A45C
2001/105; A45C 2001/107; E05G 1/00;
E05G 1/005; E05G 1/024; E05G 1/026;
E05G 5/00; E05G 7/00; E05G 7/001;
E05G 2700/00; E05G 2700/02; B63C
7/30; G07D 9/00; G07D 9/002; G07D
9/004; G07D 9/006; G07D 9/008; G07D
9/02; G07D 9/04; G07D 9/06; G07D
9/065; G07D 11/00; G07D 11/0021;
G07D 13/00; G07D 2201/00; G07D
2211/00; G07F 9/06; G07F 9/08
See application file for complete search history.

OTHER PUBLICATIONS

Good Ideas Dark Granite Mailbox Lock, <https://www.lowes.com/pd/Good-Ideas-Teak-Package-Delivery-Safe-Dark-Granite/5001679501>, 2023. (Year: 2023).*

(Continued)

Primary Examiner — Elizabeth J Oswecki

(57) **CLAIM**

The ornamental design for a safe package, as shown and described.

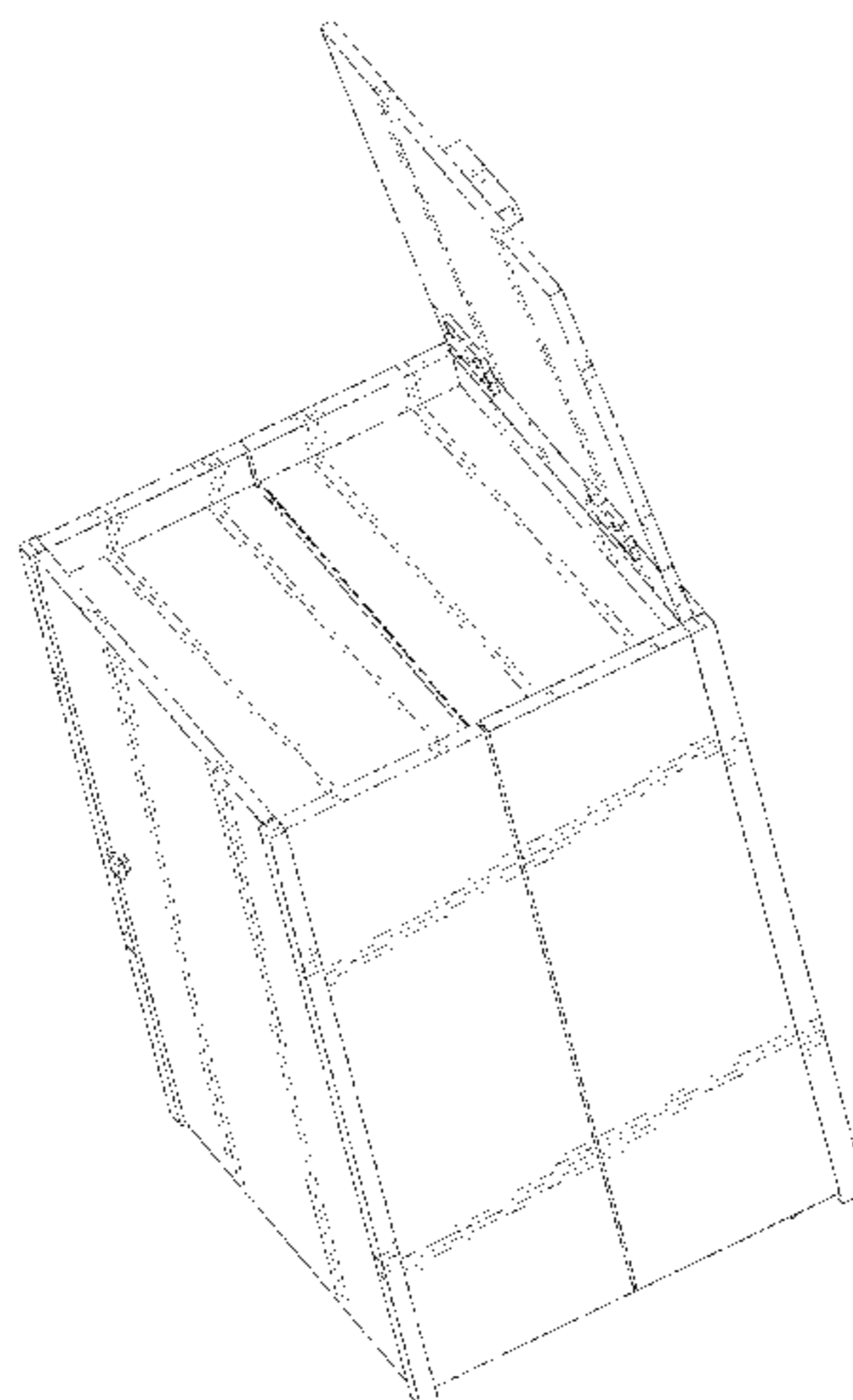
DESCRIPTION

FIG. 1 is a front, top, right perspective view of a safe package showing my new design;
FIG. 2 is a front elevational view thereof;
FIG. 3 is a right side elevational view thereof;
FIG. 4 is a left side elevational view thereof;
FIG. 5 is a rear elevational view thereof;
FIG. 6 is a top plan view thereof, the top cover in a closed position;
FIG. 7 is a bottom plan view thereof;
FIG. 8 is a top, front, left perspective view thereof, in a folded state;
FIG. 9 is a front elevational view thereof, in a folded state;
FIG. 10 is a rear elevational view thereof, in a folded state;
FIG. 11 is a right side elevational view thereof, in a folded state;
FIG. 12 is a left side elevational view thereof, in a folded state;
FIG. 13 is a top plan view thereof, in a folded state; and,
FIG. 14 is a bottom plan view thereof, in a folded state.

1 Claim, 14 Drawing Sheets

(56) **References Cited**
U.S. PATENT DOCUMENTS

D273,052 S * 3/1984 Snodgrass D99/28
4,669,394 A * 6/1987 Fogleman E05G 1/02
70/278.1
D291,019 S * 7/1987 Druihet D99/28



(56)

References Cited

U.S. PATENT DOCUMENTS

D774,272 S * 12/2016 Suggs D99/28
D814,139 S * 3/2018 Newcomb D99/28
D854,279 S * 7/2019 Wirtz D99/29
D991,619 S * 7/2023 Pollmann D99/28
D991,620 S * 7/2023 Wanis D99/28
D992,235 S * 7/2023 Pollmann D99/28
2017/0188737 A1 7/2017 Hippert

OTHER PUBLICATIONS

ParcelWirx Graphite Lockable Package Delivery Box, <https://www.homedepot.com/p/ParcelWirx-Graphite-Lockable-Package-Delivery-Box-550200200F7081/302976323>, Mar. 22, 2018. (Year: 2018).*

Locking Column Box, Retrieved from Internet, Retrieved on Jan. 20, 2022 <URL: <https://www.wayfair.com/Good-Ideas--Locking-Column-Box-PKGSAFTEK-L565-K~GEI10063.html>>.

Cosco Outdoor Living 88333BTN1E, Large Lockable Package Delivery and Storage Box, 6.3 Cubic feet, Tan BoxGuard, Retrieved from Internet, Retrieved on Jan. 20, 2022 <URL: <https://www.amazon.com/Cosco-Outdoor-Living-88333BTN1E-Lockable/dp/B07XRS7TTB/>>.

Secure Package Delivery, Retrieved from Internet, Retrieved on Jan. 20, 2022 <URL: <https://www.wayfair.com/Keter--Secure-Package-Delivery-Box-245523-L565-K~KTR10032.html?>>.

Payment Box—Fee Vaults/Mailbox, Retrieved from Internet, Retrieved on Jan. 20, 2022 <URL: https://www.outdoorsiness.com/Payment-Fee-Box?gclid=Cj0KCQiAraSPBhDuARIsAM3Js4ruG2p1E0M22LDrBjrikQEm9z1dm0jF8S34zf_ZQq7_13eC44jfnAkaAq1IEALw_wcB>.

* cited by examiner

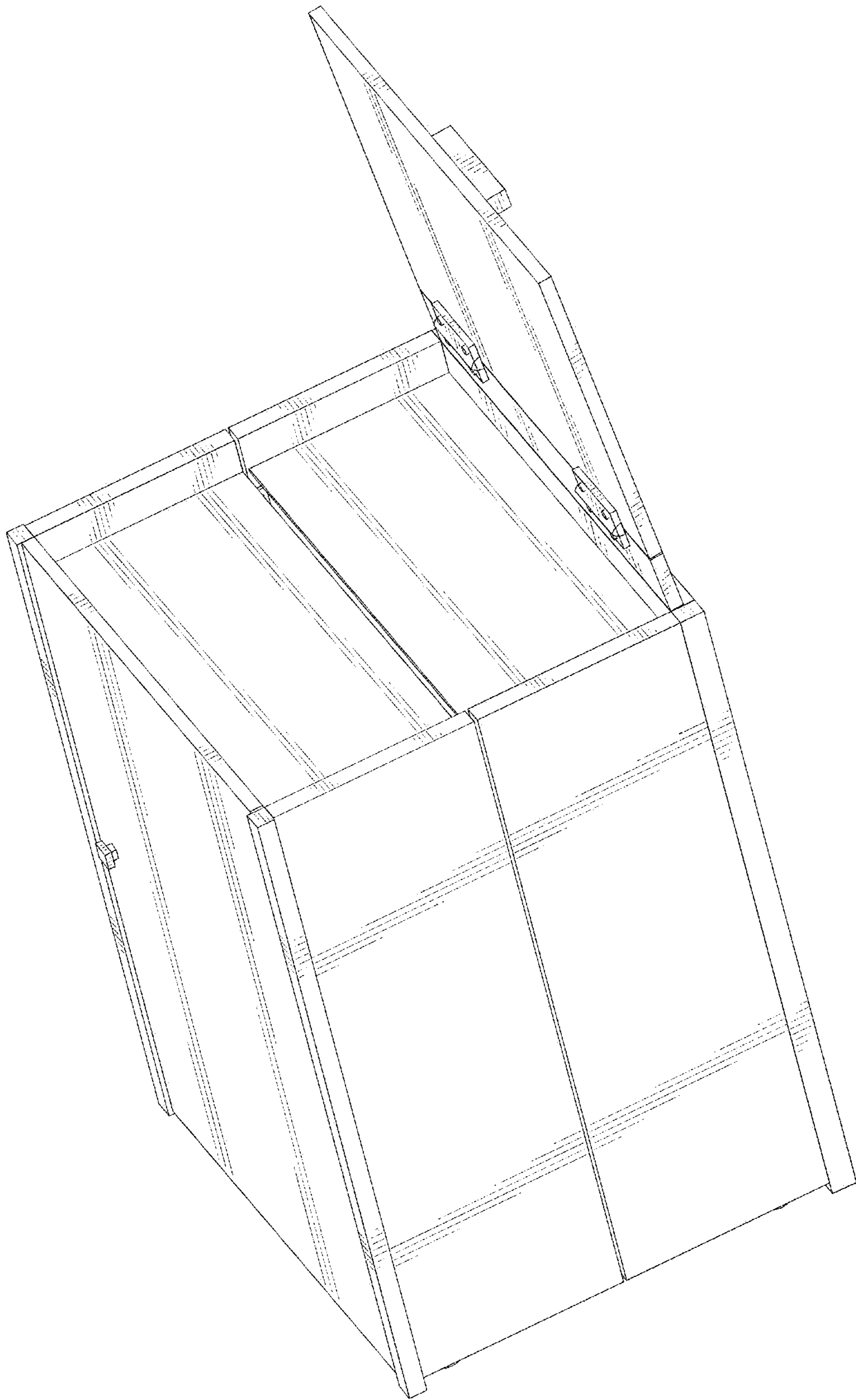


FIG. 1

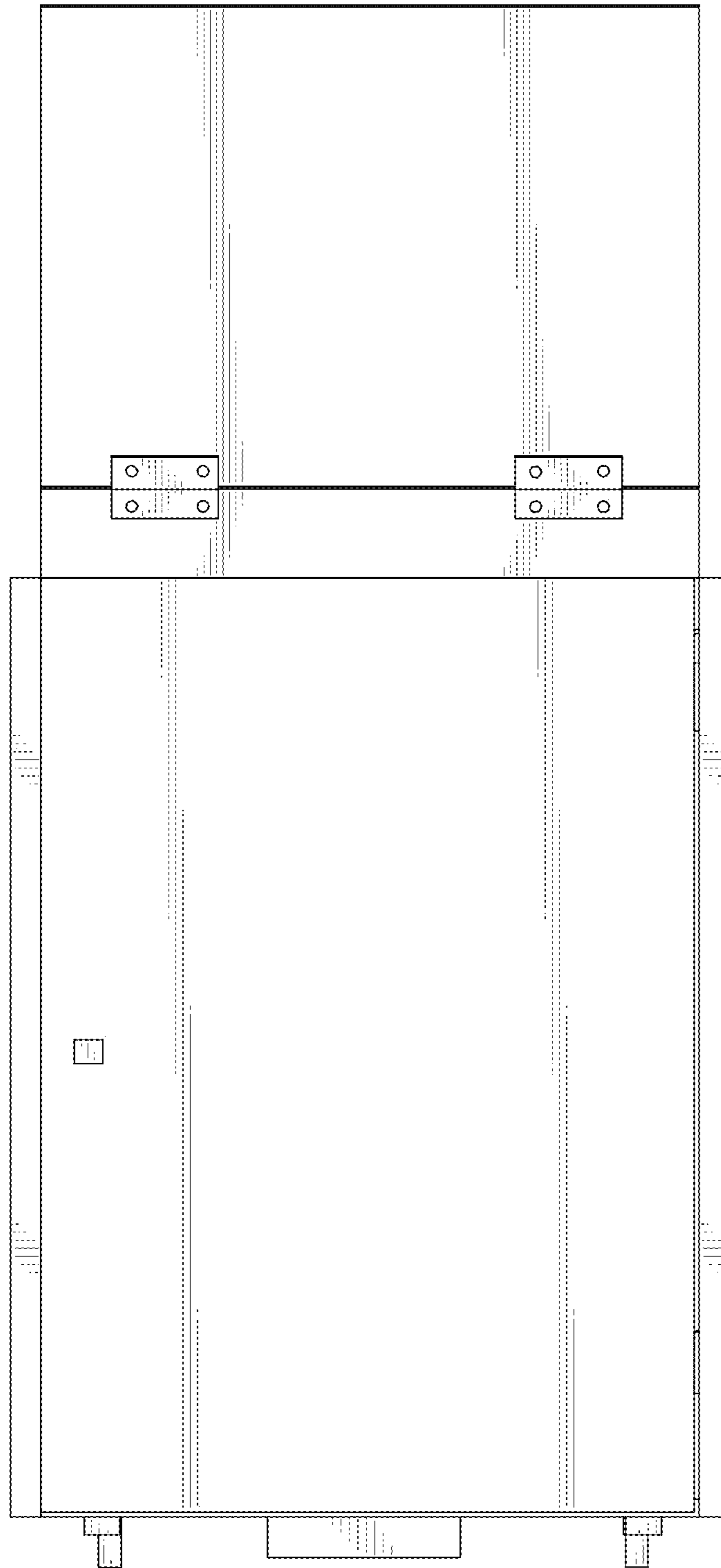


FIG. 2

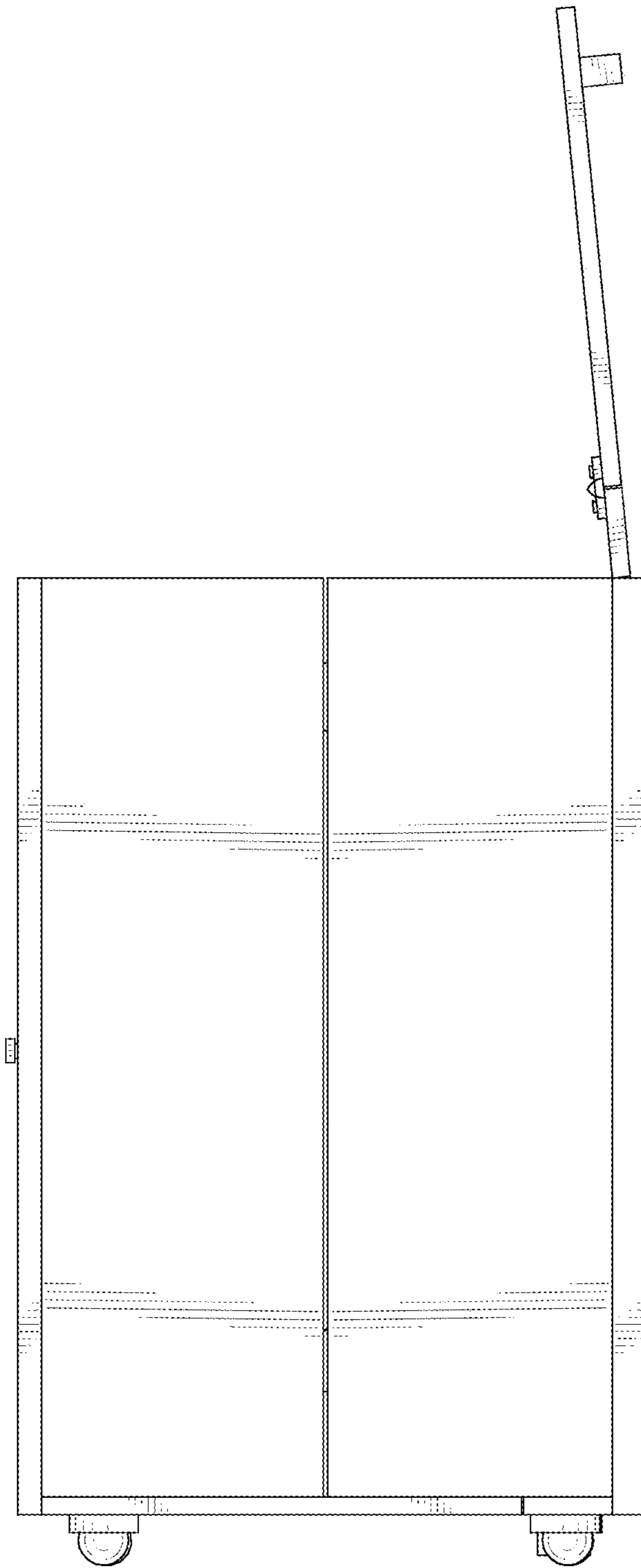


FIG. 3

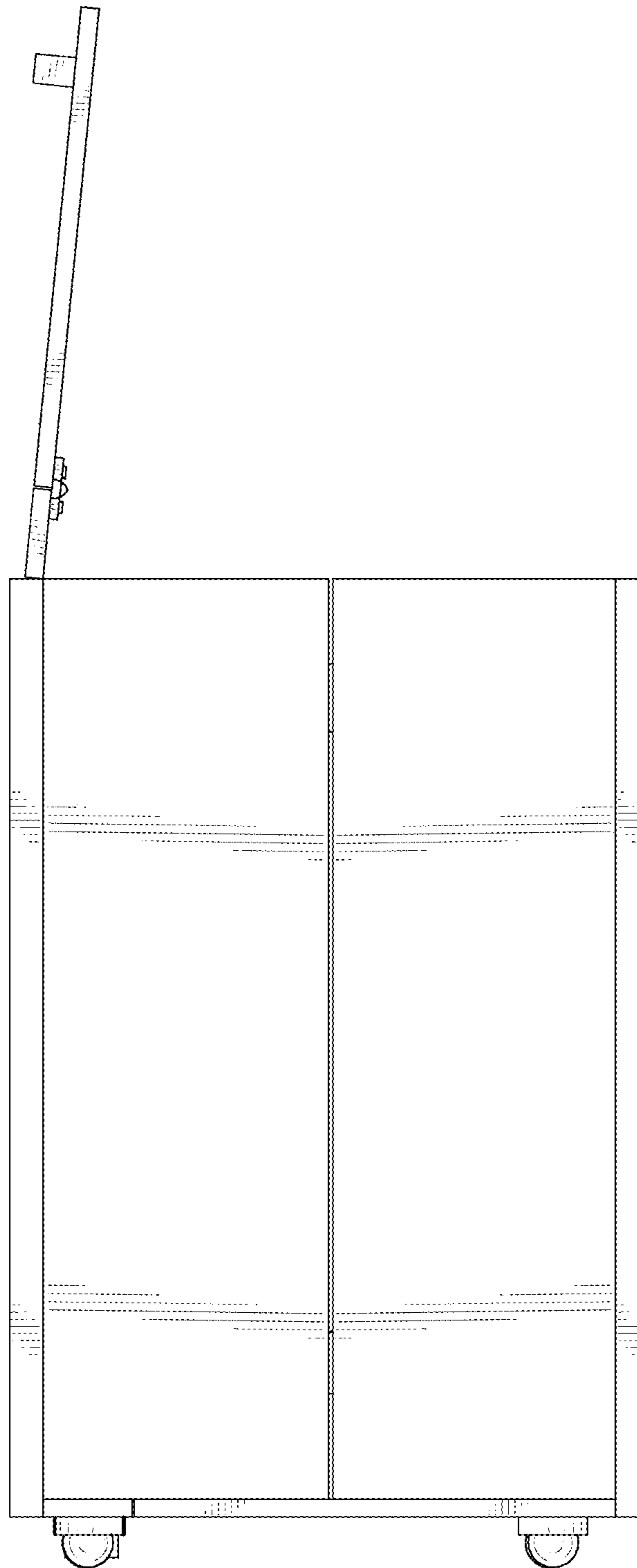


FIG. 4

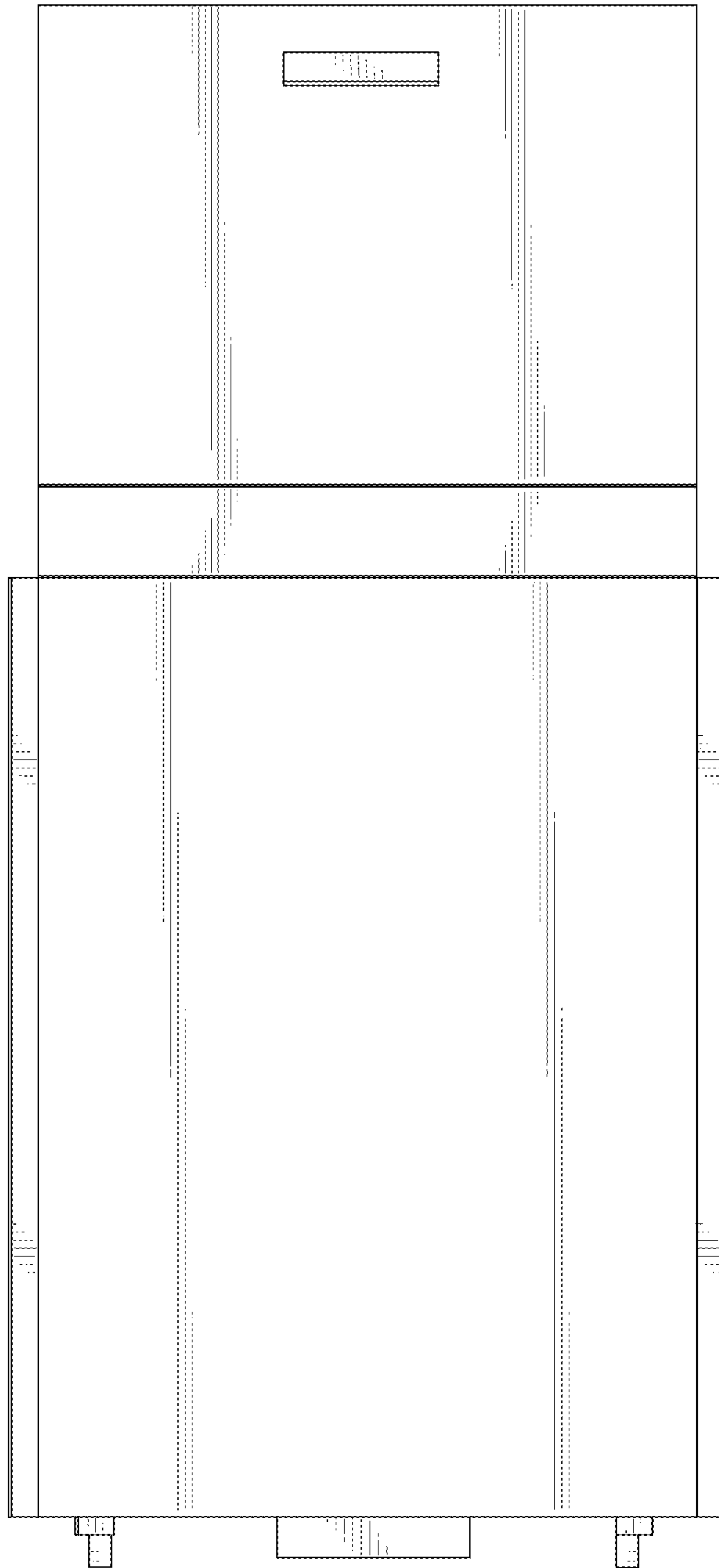


FIG. 5

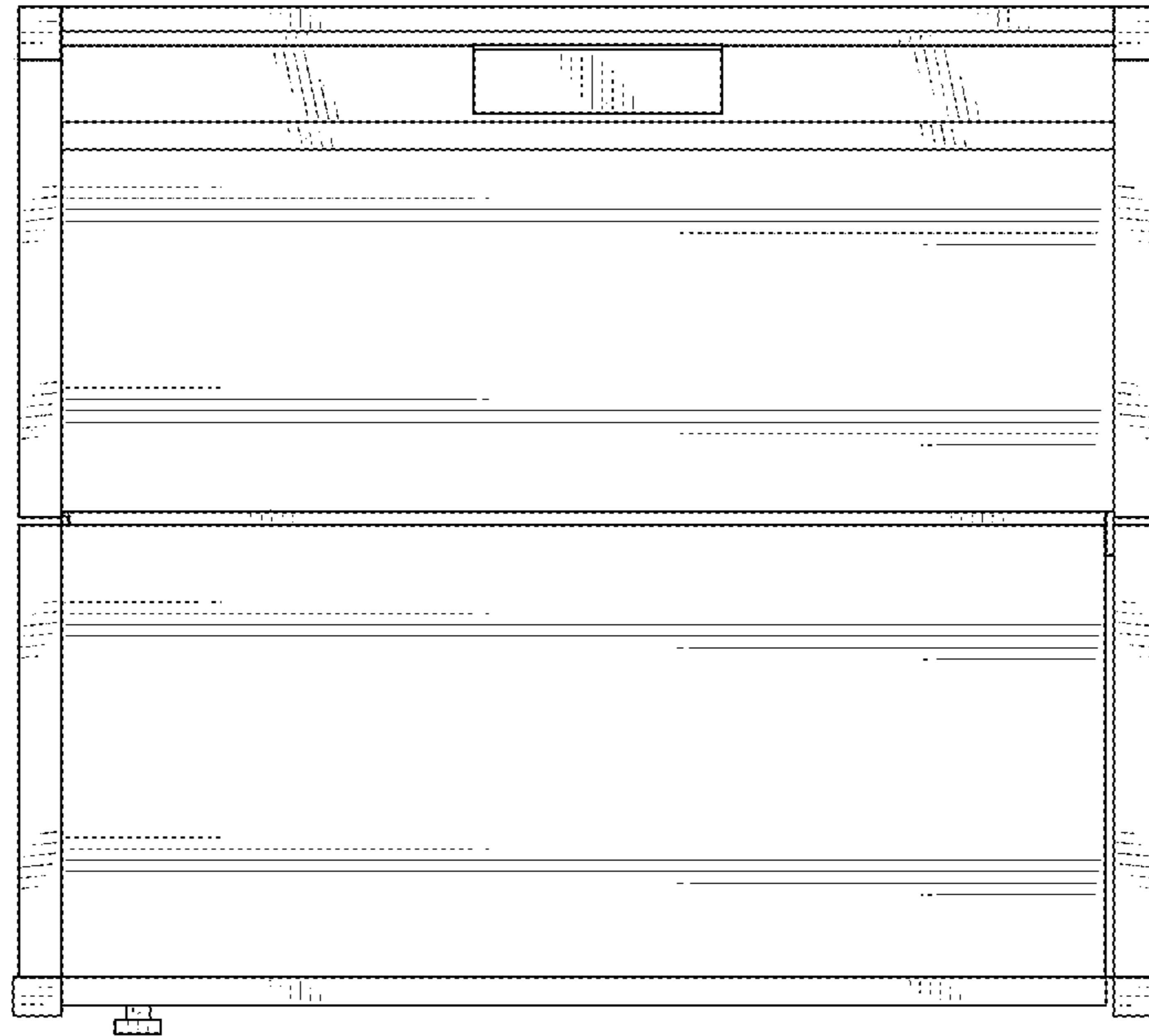


FIG. 6

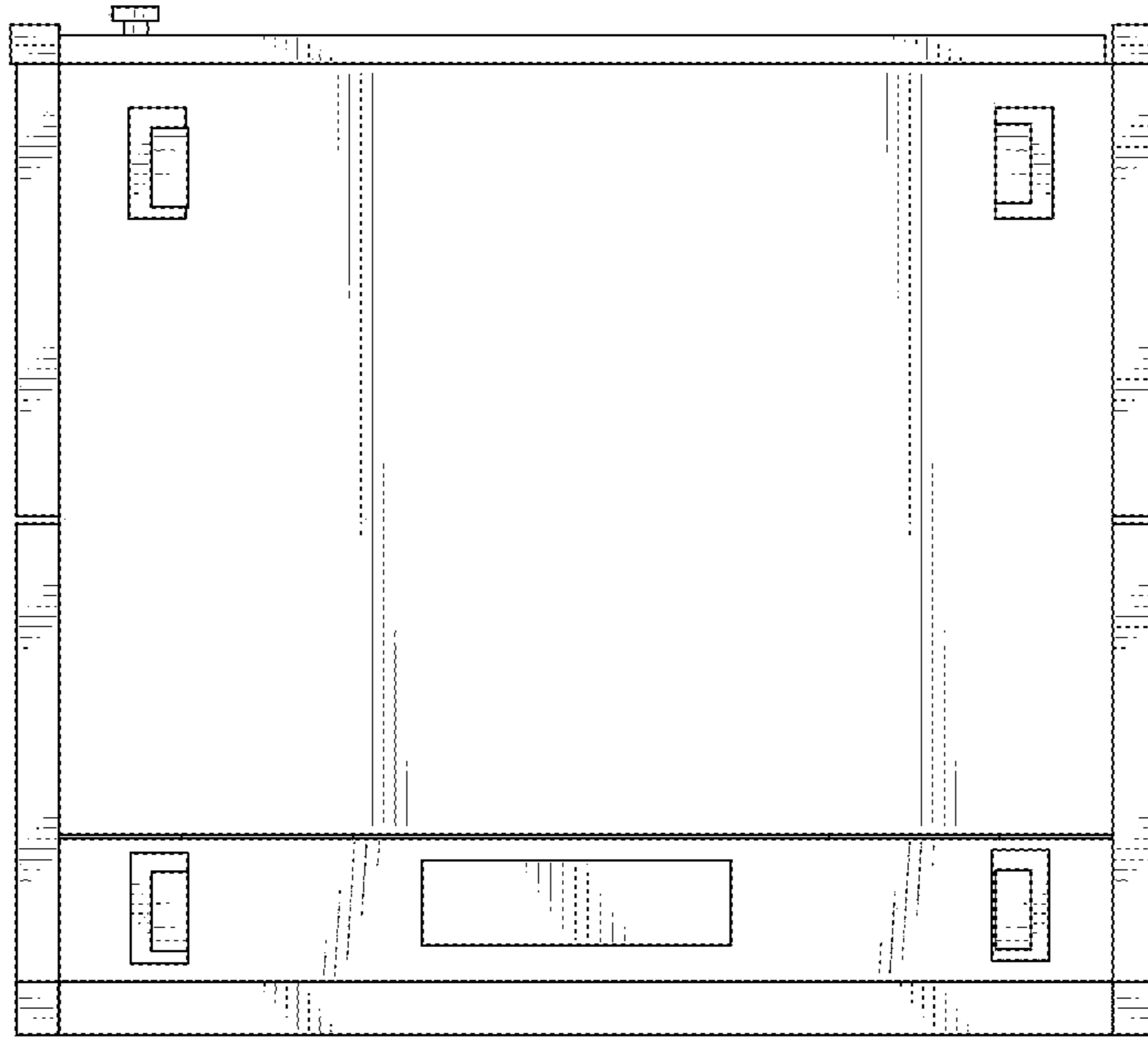


FIG. 7

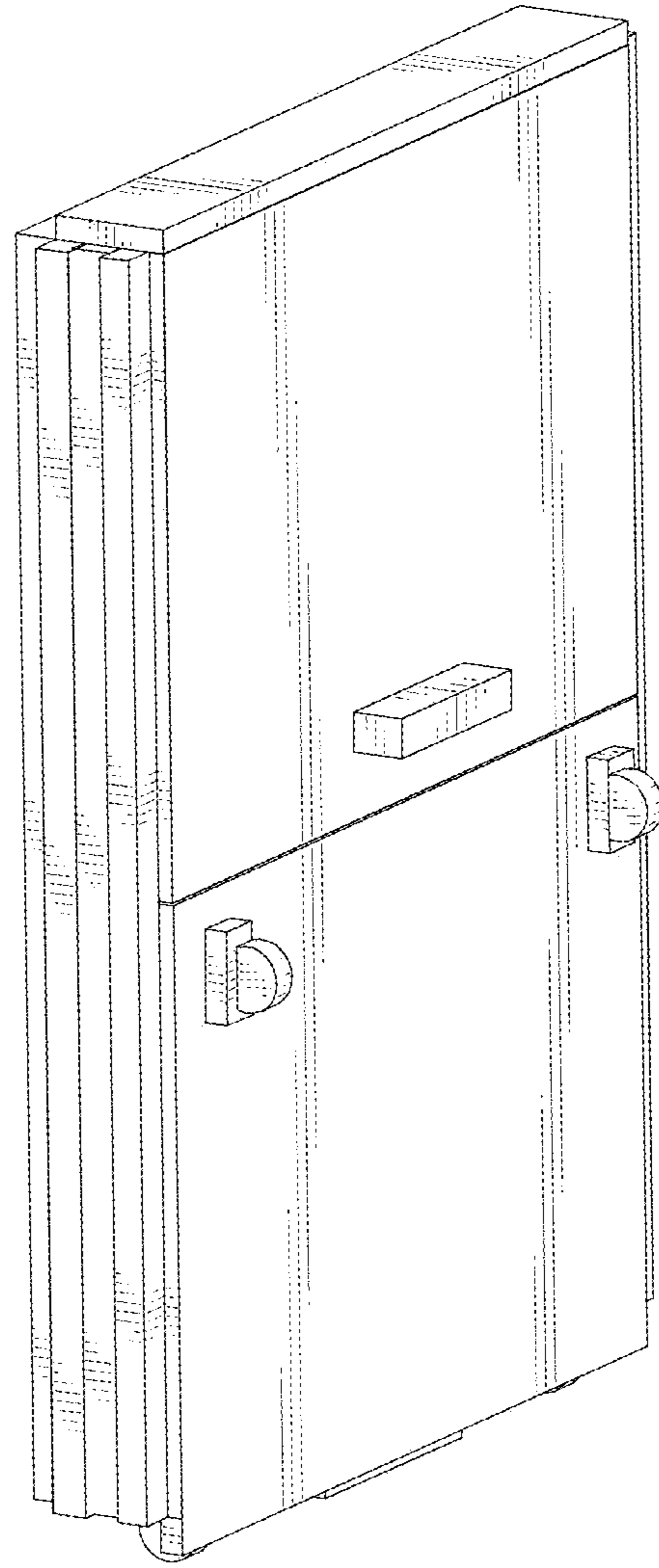


FIG. 8

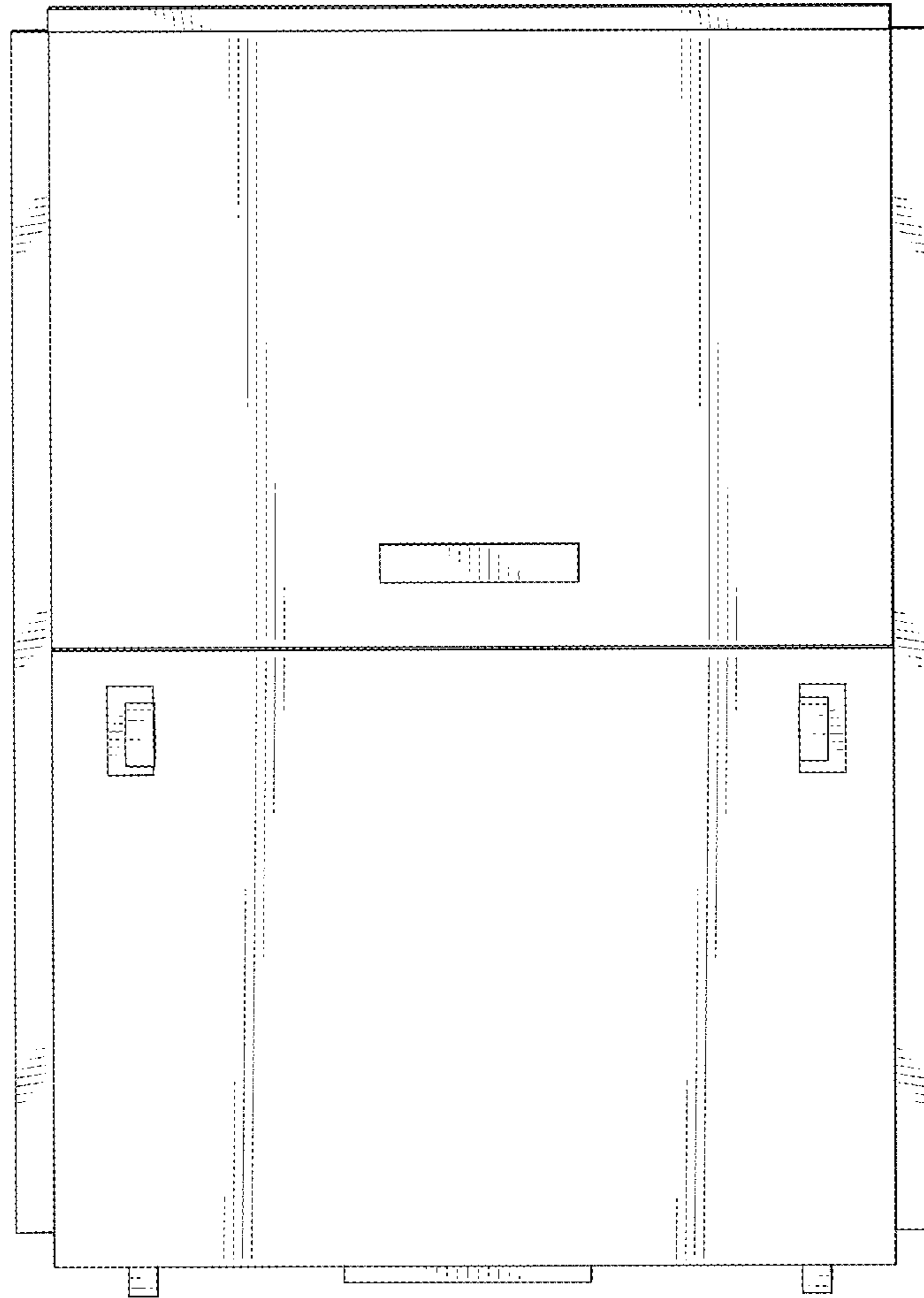


FIG. 9

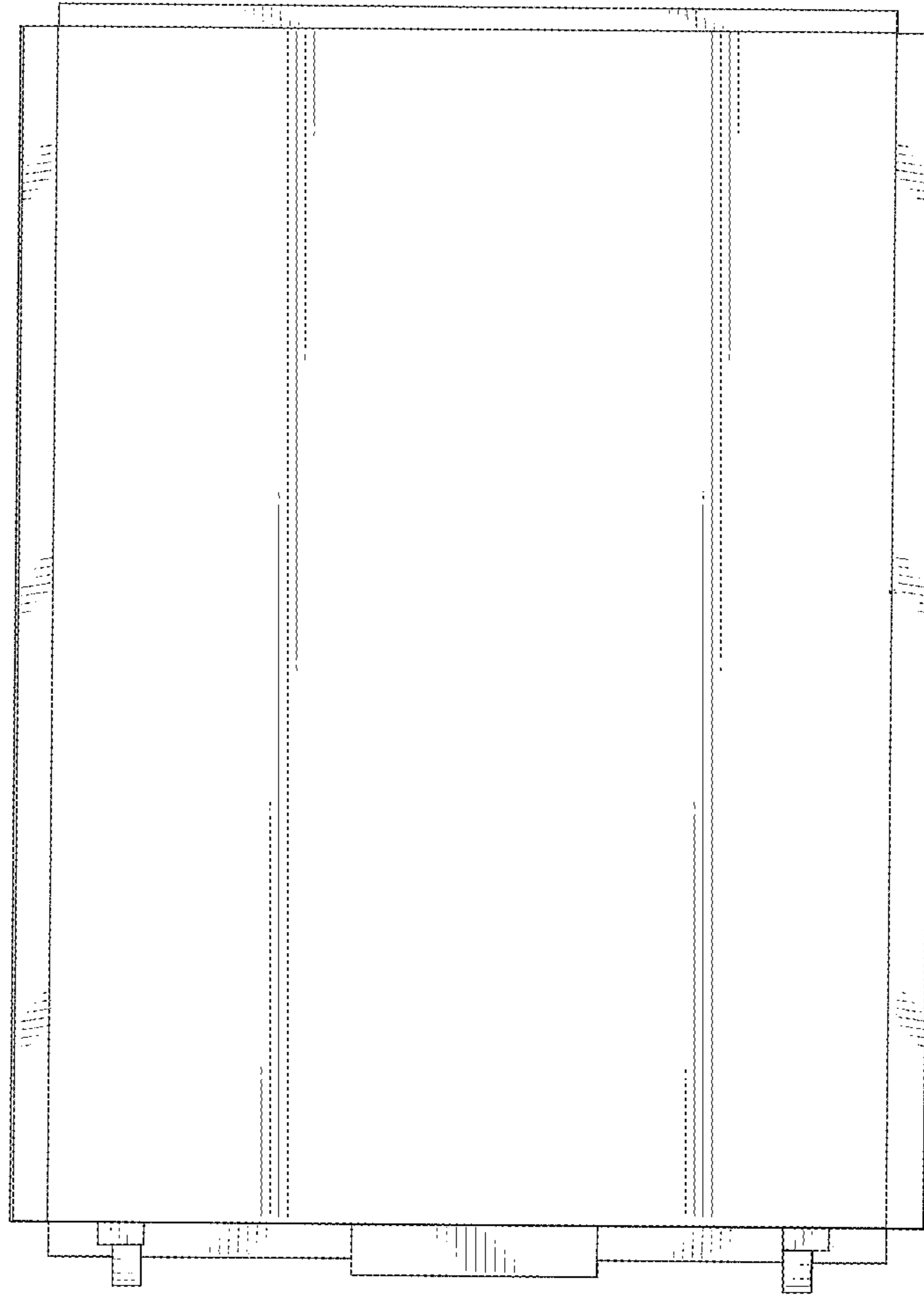


FIG. 10

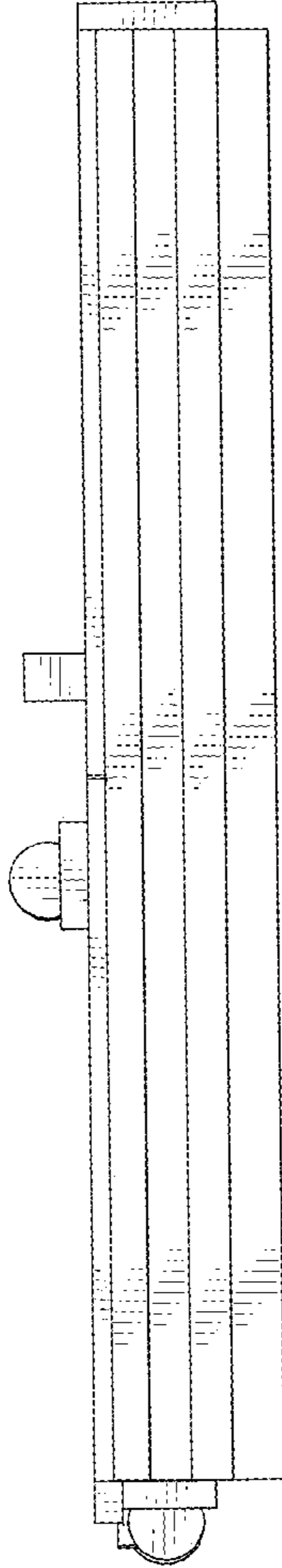


FIG. 11

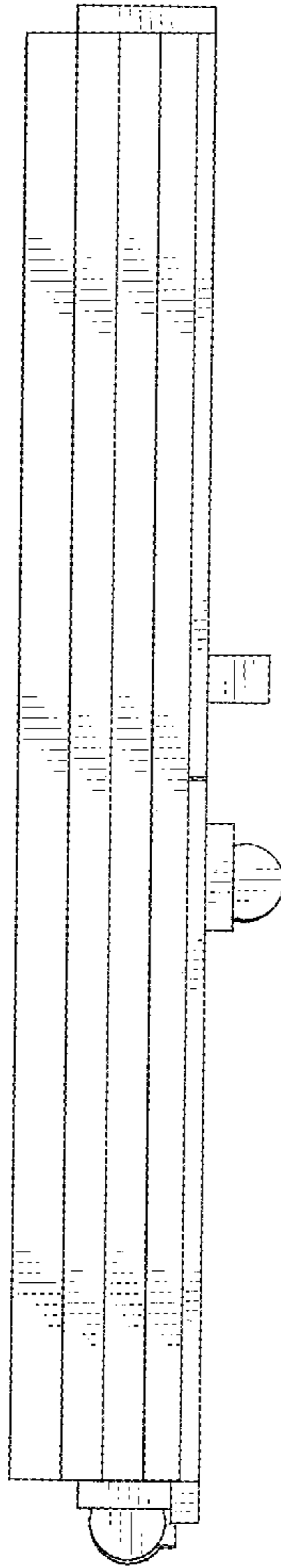


FIG. 12

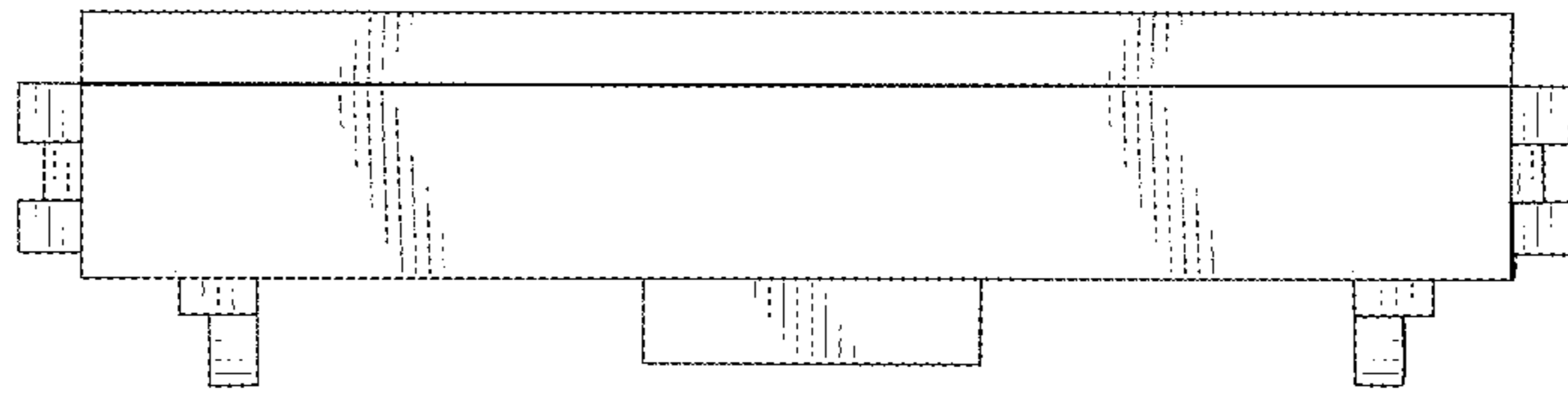


FIG. 13

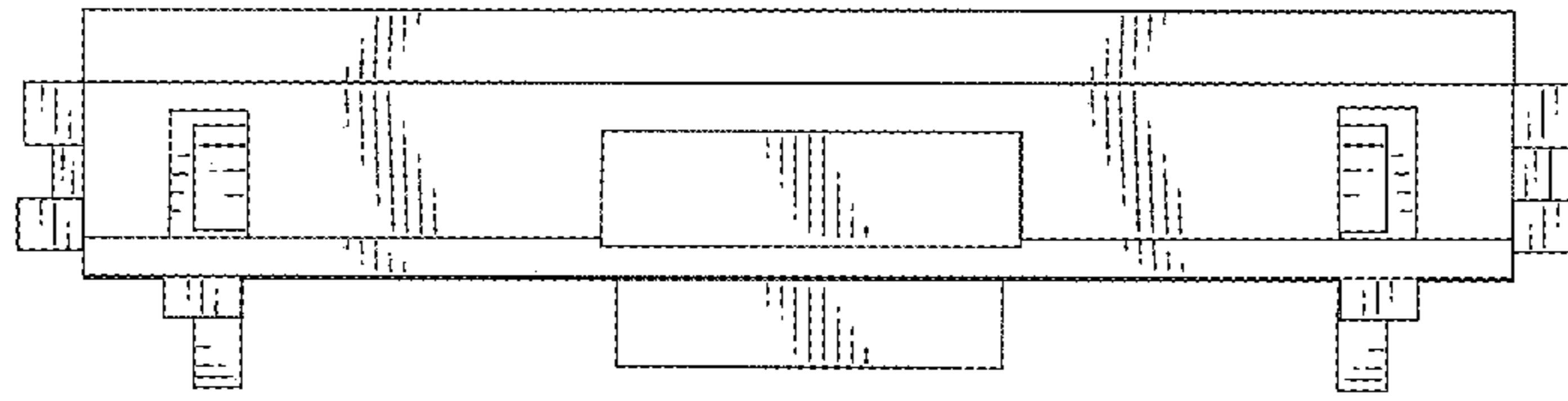


FIG. 14