



US0D1030158S

(12) **United States Design Patent**
Cohen

(10) **Patent No.: US D1,030,158 S**

(45) **Date of Patent: ** Jun. 4, 2024**

(54) **DOG TRAINER DEVICE**

(71) Applicant: **Avi Cohen**, Fayetteville, GA (US)

(72) Inventor: **Avi Cohen**, Fayetteville, GA (US)

(**) Term: **15 Years**

(21) Appl. No.: **29/849,236**

(22) Filed: **Aug. 9, 2022**

(51) **LOC (14) Cl.** **30-99**

(52) **U.S. Cl.**
USPC **D30/199**

(58) **Field of Classification Search**
USPC D30/151-155, 144, 199, 160;
119/792-798, 850, 855-859, 863-865,
119/654, 905, 907, 815, 712, 802, 784,
119/769, 760, 776, 862, 908, 860,
119/719-721; 242/381.1-381.2, 385.4,
242/378.3, 376.1, 385.1, 916, 601, 570,
242/405, 404, 371, 223, 170, 388.1,
242/405.2, 377, 381.3, 381.6, 405.3,
242/388.6, 384.7, 382, 396.1, 404.1, 380;
362/108; 33/767, 769, 414; D12/400;
D3/229, 230, 207, 208, 215; 40/1.5, 455,
40/640, 303; 206/63.3, 459.5, 702, 408;
D6/515; D8/358, 360, 347, 360.1, 359,
D8/356, DIG. 1; D24/200, 215, 145, 167,
D24/186, 146, 169; D10/57, 72, 106.1,
D10/104.1, 104.2, 109.2, 70, 97, 98, 78,
D10/65; D20/28; 224/666, 678; 16/445;
283/74, 70; D11/232, 200, 216, 1, 2, 86,
D11/87, 201, 206-210, 212-215, 218;
24/163 K, 122.3, 323, 702, 600.4-600.7,
24/163 R, 169-171, 173, 177-179, 191,
24/194, 195, 197, 200, 303, 616, 635,
24/313, 615, 3, 6, 3 K, 599.2, 96, 221,
24/237, 311, 312, 314, 321, 338, 339,
24/309; 428/3, 4; 54/76, 1, 71; 63/29.1,
63/3; 191/12.2 R, 12.4; D13/154, 153,
D13/137.4, 155, 103, 168; D19/69, 67;

379/438; 446/26; 473/576; D22/140;
174/135; 439/504, 13, 501; D34/33;
188/83, 82.1, 65.1; 254/134.3 FT;
D29/124; D2/627, 624, 633, 625;
132/145, 146, 148; 2/314; 59/79.1;
340/573.3, 573.1, 573, 573.4,
340/539.13-539.19; 343/895;

(Continued)

(56) **References Cited**

U.S. PATENT DOCUMENTS

D416,883 S * 11/1999 Wagner D14/426
D425,997 S * 5/2000 Jakubow D24/215

(Continued)

Primary Examiner — Susan Moon Lee

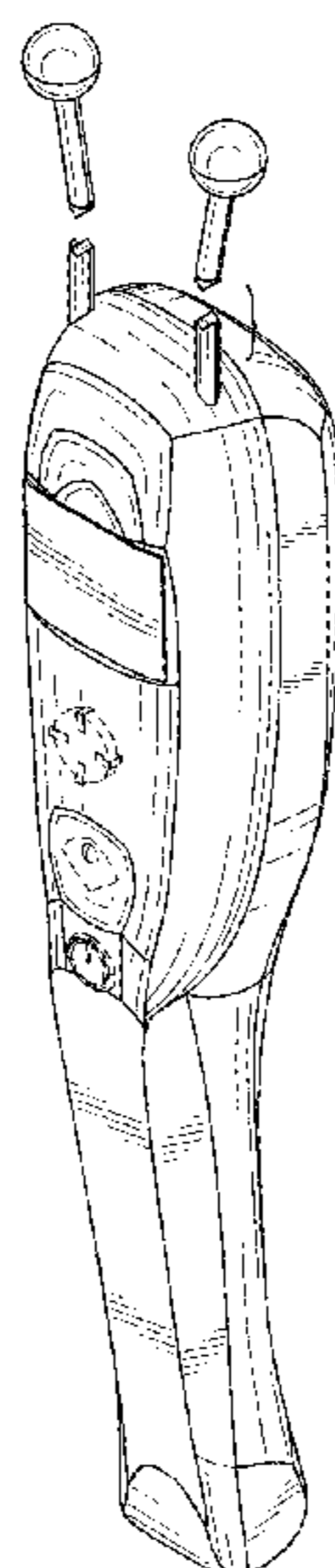
(57) **CLAIM**

The ornamental design for a dog trainer device, as shown and described.

DESCRIPTION

FIG. 1 is a front-top perspective view of a dog trainer device showing my new design;
FIG. 2 is a front-bottom perspective view thereof;
FIG. 3 is a rear-top perspective view thereof;
FIG. 4 is a front elevational view thereof;
FIG. 5 is a rear elevational view thereof;
FIG. 6 is a left elevational view thereof;
FIG. 7 is a right elevational view thereof;
FIG. 8 is an enlarged top plan view thereof; and,
FIG. 9 is an enlarged bottom plan view thereof.
The broken lines in the drawings illustrate portions of the dog trainer device which form no part of the claimed design. A probe of the dog trainer device is shown with a symbolic break in its length in FIGS. 1-7. The appearance of any portion of the article between the break lines forms no part of the claimed design.

1 Claim, 9 Drawing Sheets



US D1,030,158 S

Page 2

(58) **Field of Classification Search**

USPC 278/8 AES; 231/7; 361/232; D14/344,
D14/341, 137, 155, 496, 203.5, 203.3,
D14/144, 218, 188, 216, 192;
342/357.51, 357.57, 357.52, 357.55;
455/100, 352, 456.1, 550.1; 315/291
CPC A01K 15/021; A01K 15/02; A01K 15/022;
A01K 15/023; A01K 15/029; A01K
15/04; A01K 15/00; A01K 15/006; A01K
12/022; A01K 27/009; A01K 27/00;
A01K 27/001; A01K 27/006-008; A01K
29/005; A01K 29/00; A61B 5/0002-0028;
A61B 5/681; A61B 5/6822; A61B
5/6824; A61B 5/6829; G01S 5/0294

See application file for complete search history.

(56)

References Cited

U.S. PATENT DOCUMENTS

D426,166 S * 6/2000 Ferron D30/199

6,234,395 B1 * 5/2001 Chadima, Jr. G06K 7/10772
235/472.01
D445,786 S * 7/2001 Skelton D14/341
D455,750 S * 4/2002 Krantz D14/426
D476,160 S * 6/2003 Choi D4/133
6,700,489 B1 * 3/2004 Easter G08B 13/242
340/572.1
6,745,943 B2 * 6/2004 Schlieffers G06K 7/10881
235/472.01
D556,332 S * 11/2007 Han D24/200
D569,378 S * 5/2008 Wanamaker D14/426
D574,838 S * 8/2008 Palmer D14/429
D601,806 S * 10/2009 Choi D4/114
D671,121 S * 11/2012 Schickling D14/426
D829,212 S * 9/2018 Bidwell D14/426
2002/0104887 A1 * 8/2002 Schlieffers G06K 7/10881
235/472.02
2012/0145793 A1 * 6/2012 Kearney G06K 7/109
235/472.01

* cited by examiner

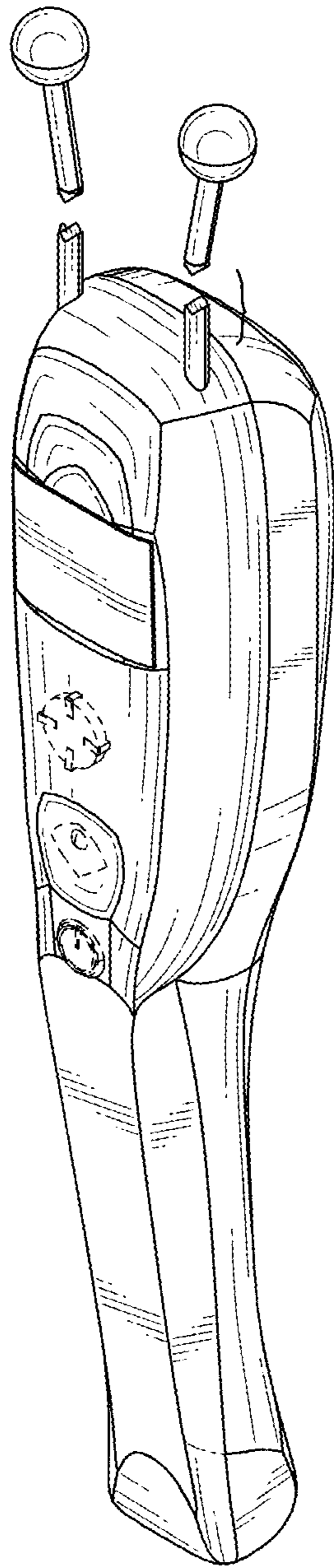


FIG. 1

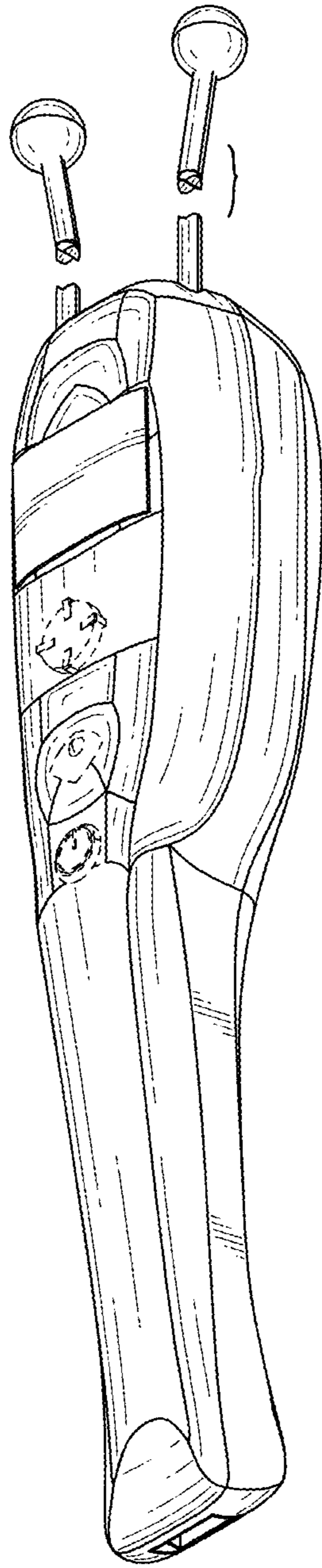


FIG. 2

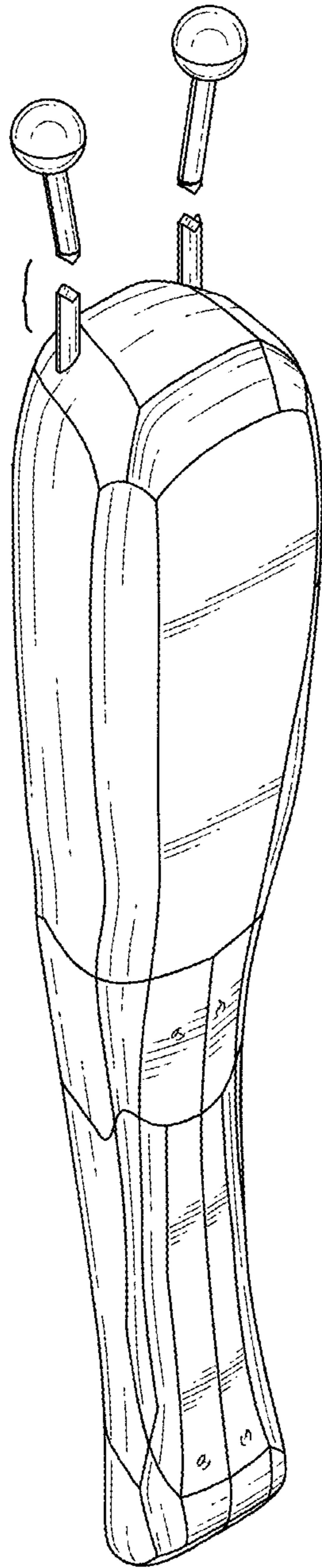


FIG. 3

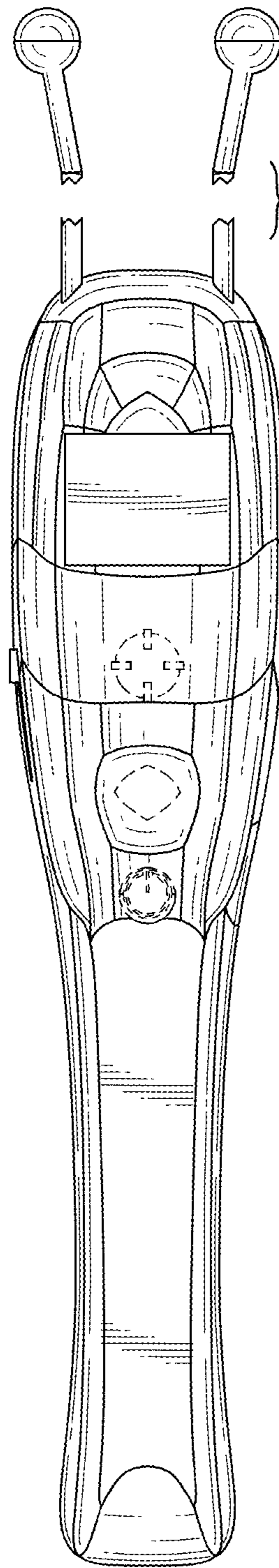


FIG. 4

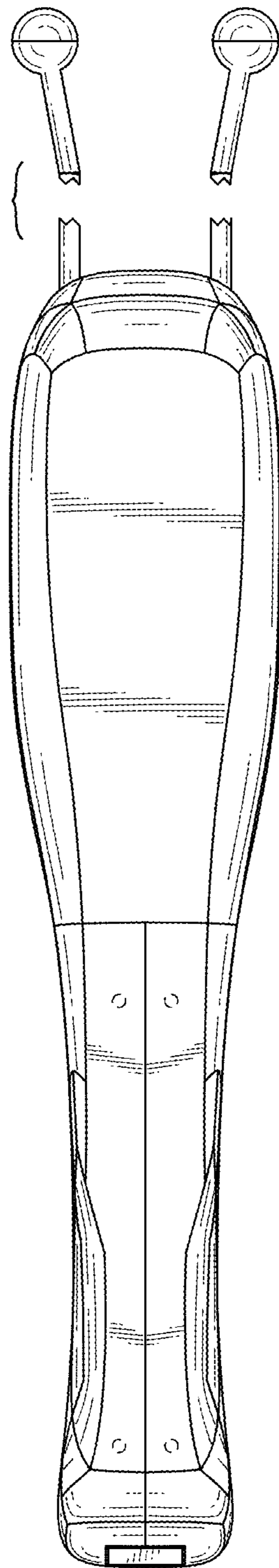


FIG. 5

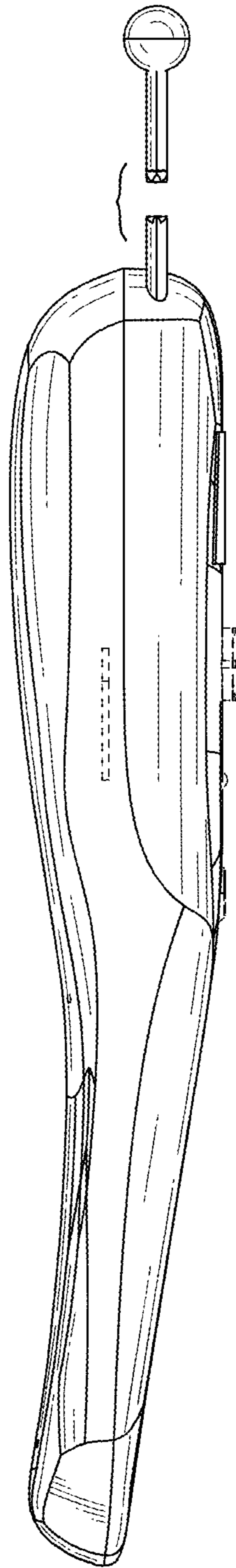


FIG. 6

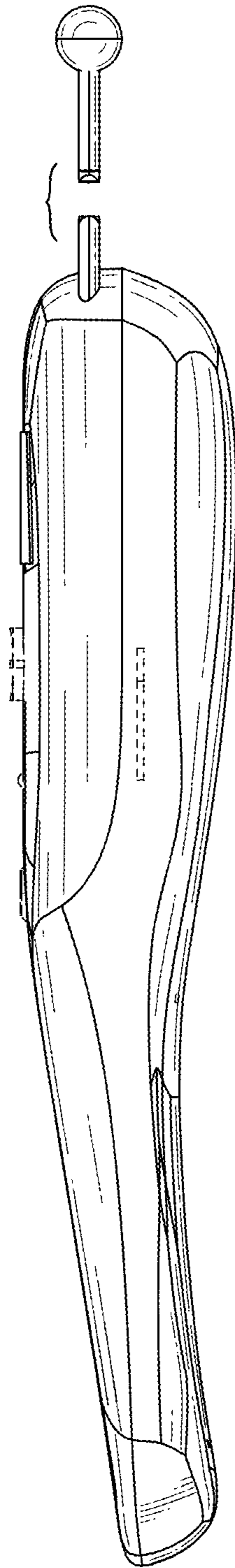


FIG. 7

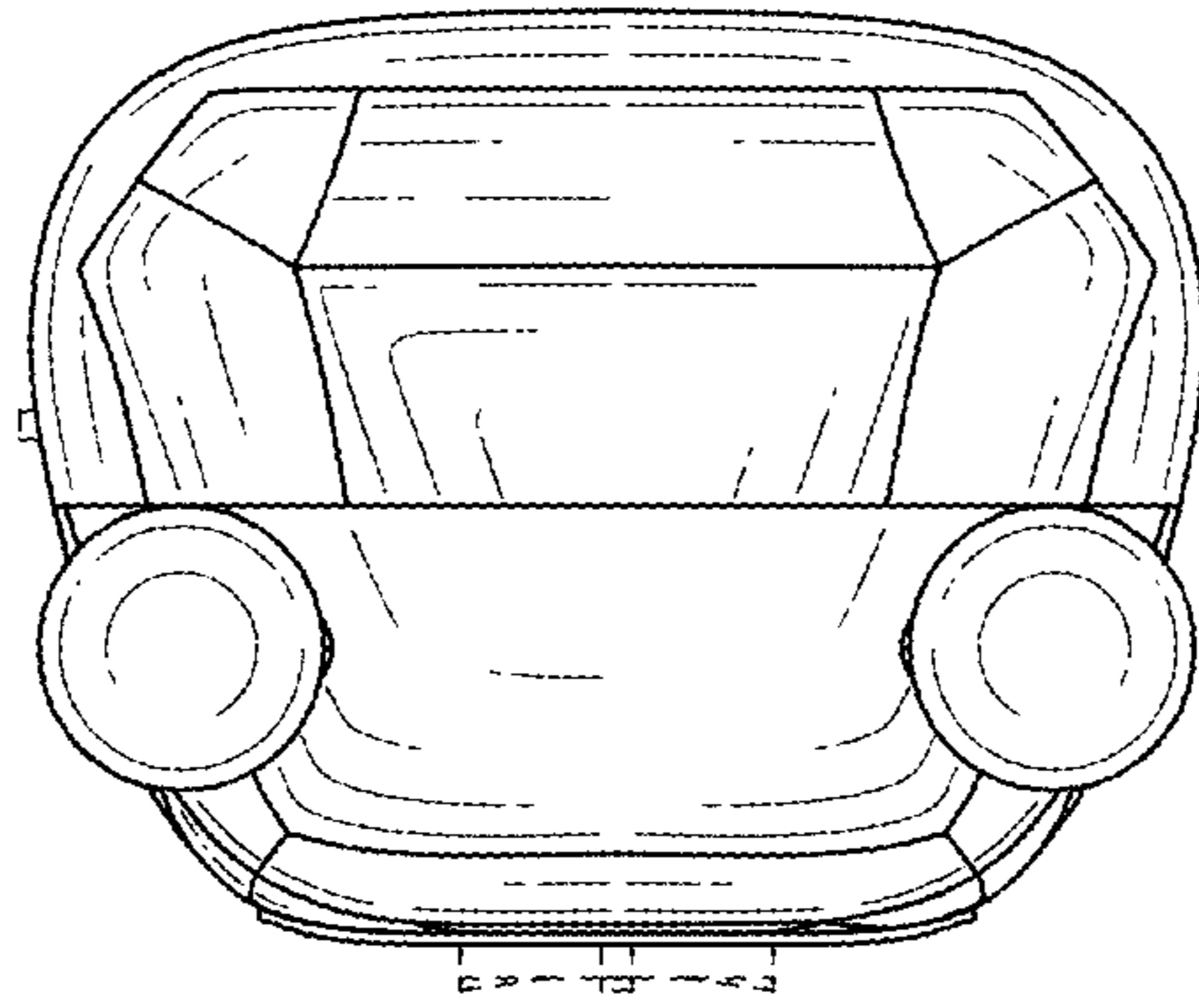


FIG. 8

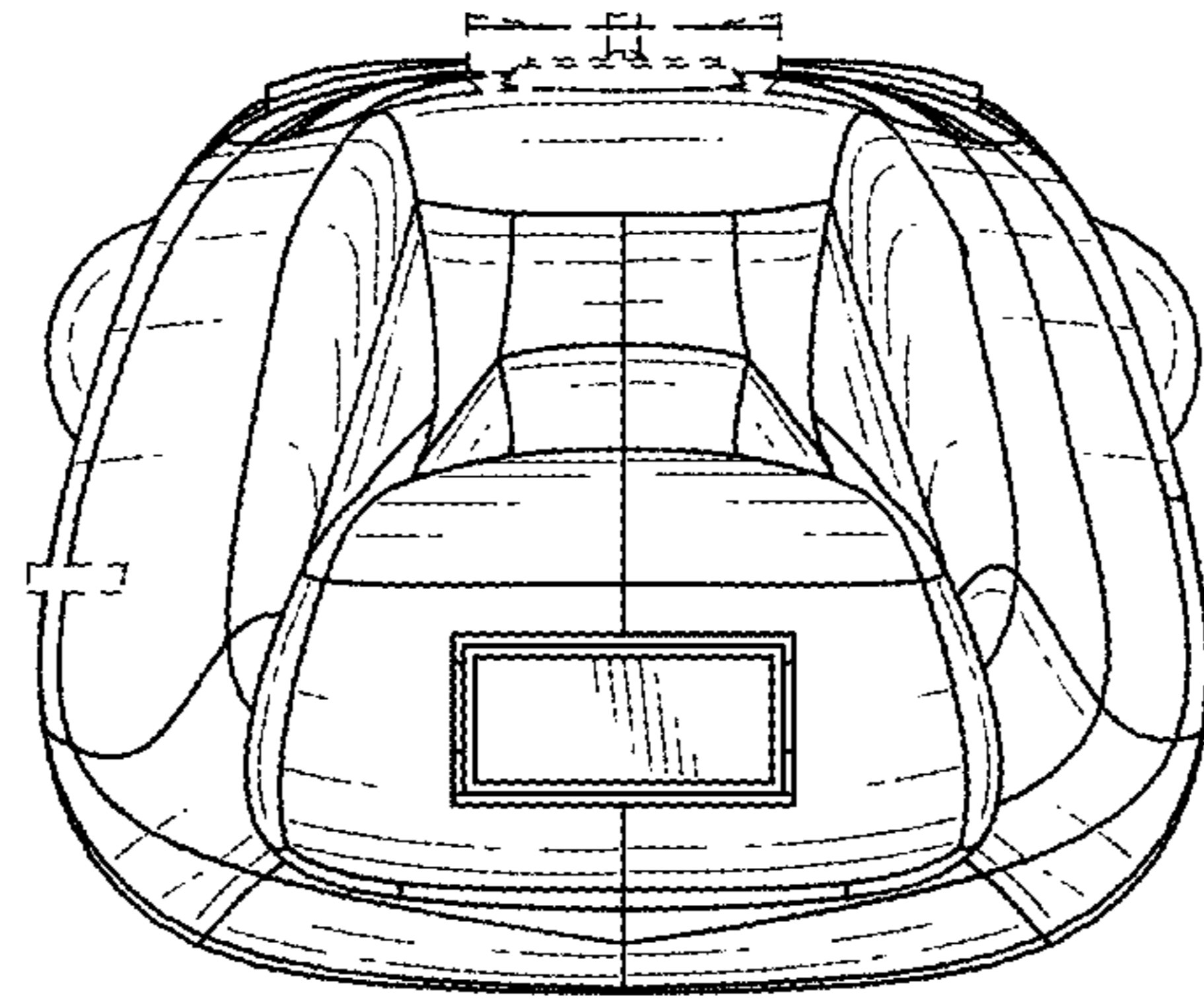


FIG. 9