

US0D1030133S

(12) **United States Design Patent** (10) **Patent No.:** **US D1,030,133 S**
Rains (45) **Date of Patent:** **** Jun. 4, 2024**

(54) **TOBACCO WATER PIPE**
(71) Applicant: **Brian Rains**, Upland, CA (US)
(72) Inventor: **Brian Rains**, Upland, CA (US)
(**) Term: **15 Years**

2020/0107576 A1* 4/2020 Rains A24F 1/30
2021/0360967 A1* 11/2021 Culver A24F 1/30
2022/0063872 A1* 3/2022 Tabag B65D 55/16
2022/0192257 A1* 6/2022 King A24F 1/30
2022/0256917 A1* 8/2022 Schmidt A24F 1/30
2022/0361566 A1* 11/2022 Temur A24F 1/14

(21) Appl. No.: **29/820,739**
(22) Filed: **Dec. 23, 2021**

OTHER PUBLICATIONS

Reuseable Portable Glass By: Generic found on Amazon (Sep. 15, 2023) https://www.amazon.com/Reusable-portable-kettle-beautiful-handicrafts/dp/B0CDP91Z65/ref=sr_1_44?crd=1WM7NDBP2EBNX&keywords= (Aug. 4, 2023).*

Related U.S. Application Data

(63) Continuation-in-part of application No. 16/592,413, filed on Oct. 3, 2019, now abandoned.
(51) **LOC (14) Cl.** **27-02**
(52) **U.S. Cl.**
USPC **D27/162**
(58) **Field of Classification Search**
USPC D27/162, 100, 103, 163, 164, 167-170, D27/194; D11/154, 157
CPC A24F 1/30; A24F 1/02; A24F 1/00; A24F 47/008; A24F 47/002
See application file for complete search history.

* cited by examiner

Primary Examiner — Rebecca Tsehaye

(57) **CLAIM**

The ornamental design for a tobacco water pipe, as shown and described.

DESCRIPTION

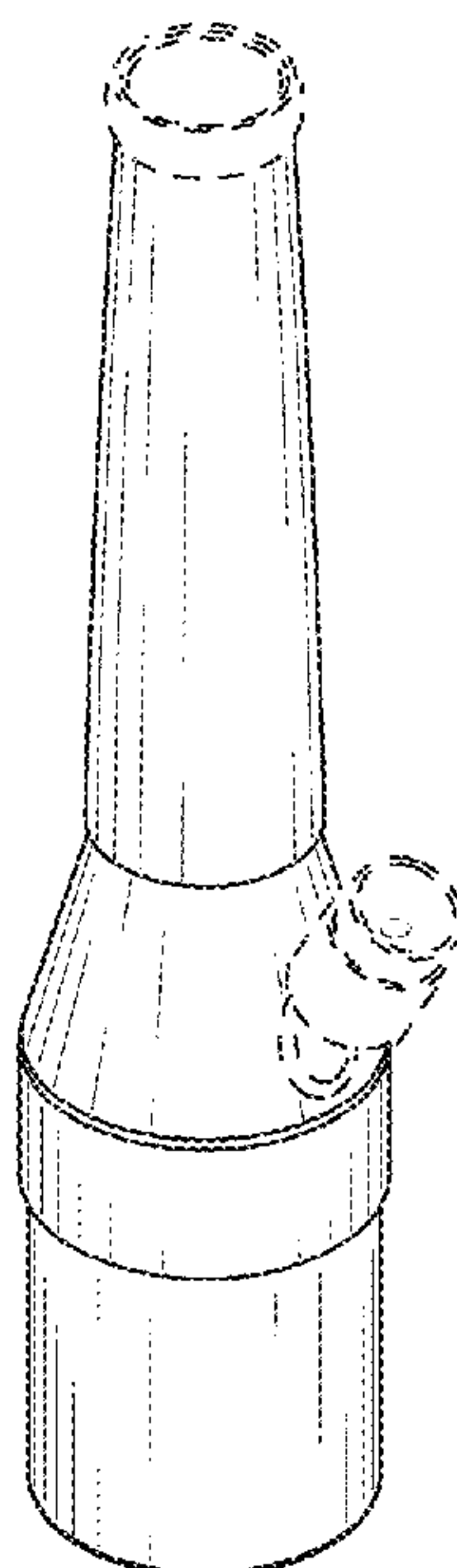
FIG. 1 is a front-top-left perspective view of a tobacco water pipe showing my new design;
FIG. 2 is a rear-bottom-right perspective view thereof;
FIG. 3 is a front elevational view thereof;
FIG. 4 is a rear elevational view thereof;
FIG. 5 is a left elevational view thereof;
FIG. 6 is a right elevational view thereof;
FIG. 7 is a top plan view thereof;
FIG. 8 is a bottom plan view of thereof;
FIG. 9 is a front-top-left perspective view of the tobacco water pipe in an exploded configuration; and,
FIG. 10 is a rear-bottom-right perspective view of the tobacco water pipe in an exploded configuration.
The broken lines in the drawings depict portions of the tobacco water pipe that form no part of the claimed design.

(56) **References Cited**

U.S. PATENT DOCUMENTS

4,116,204 A 9/1978 Kline
D442,327 S * 5/2001 Neason D27/162
D554,797 S * 11/2007 Kassir D27/162
D754,392 S * 4/2016 Helou D27/162
D755,439 S * 5/2016 Helou D27/162
9,930,911 B1 * 4/2018 Wright A24F 1/30
D838,410 S * 1/2019 Reimann D27/162
D846,187 S * 4/2019 Hoch D27/162
D965,213 S * 9/2022 Zhang D27/162
2002/0069886 A1 * 6/2002 Couch A24F 1/30
131/173

1 Claim, 10 Drawing Sheets



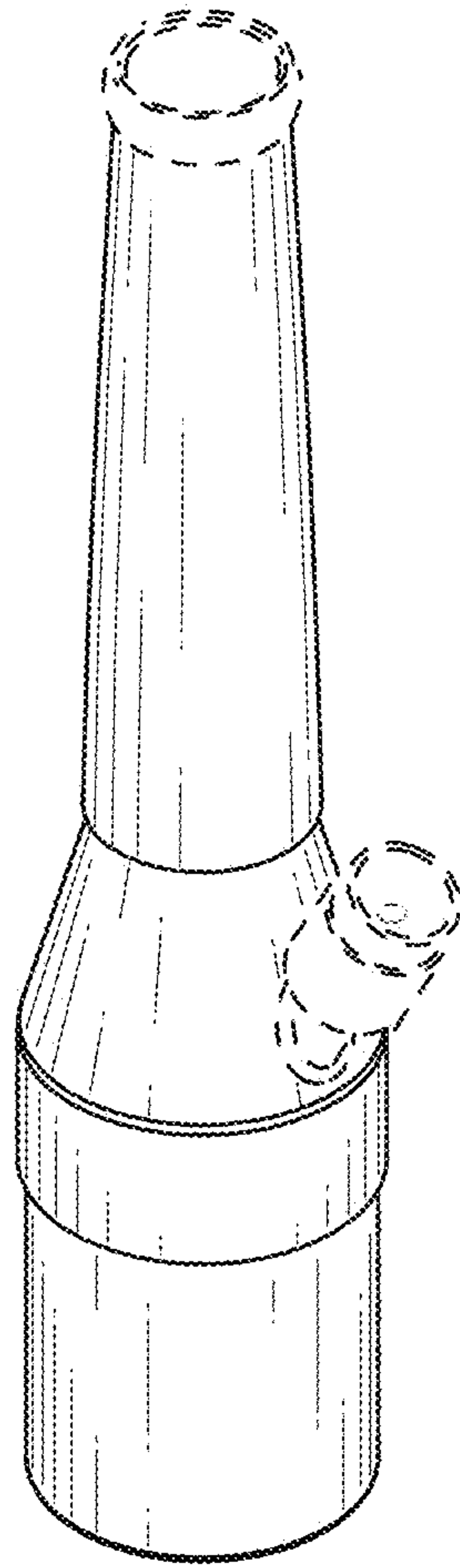


FIG. 1

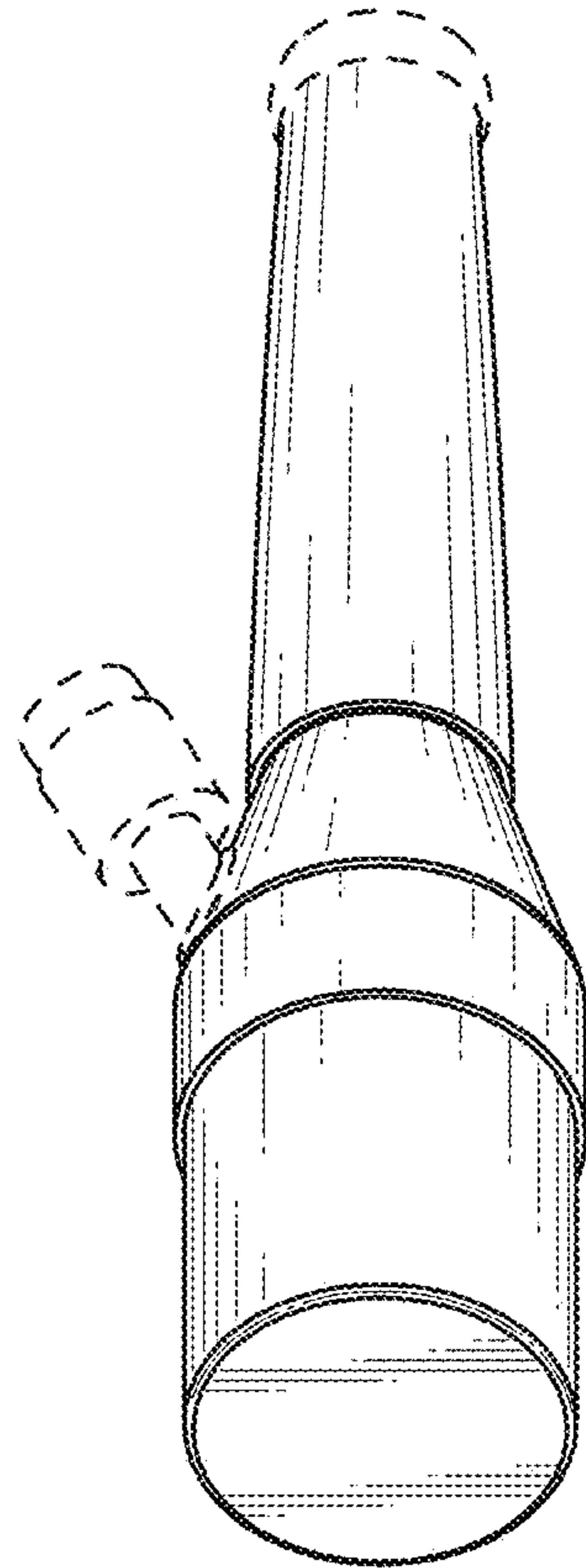


FIG. 2

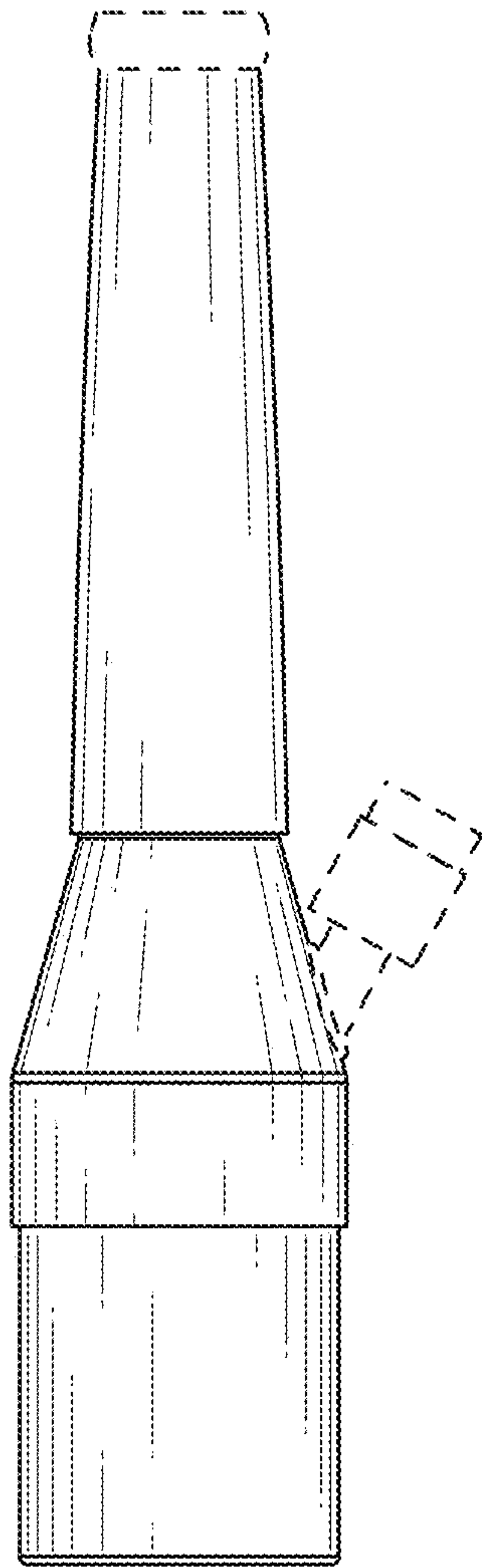


FIG. 3

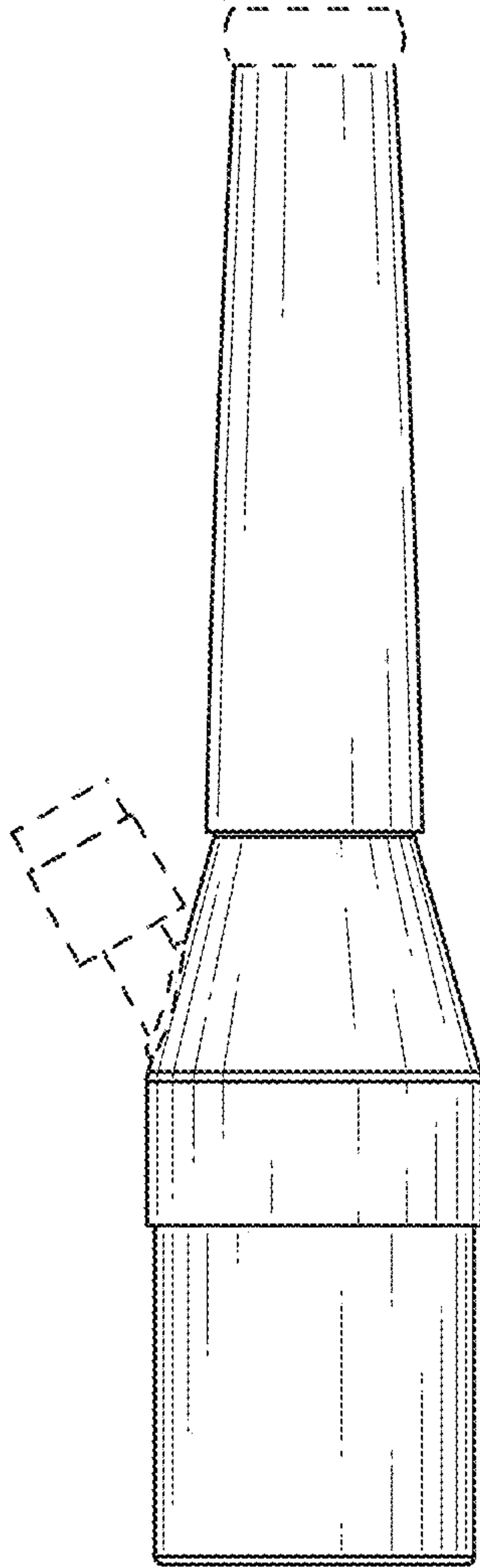


FIG. 4

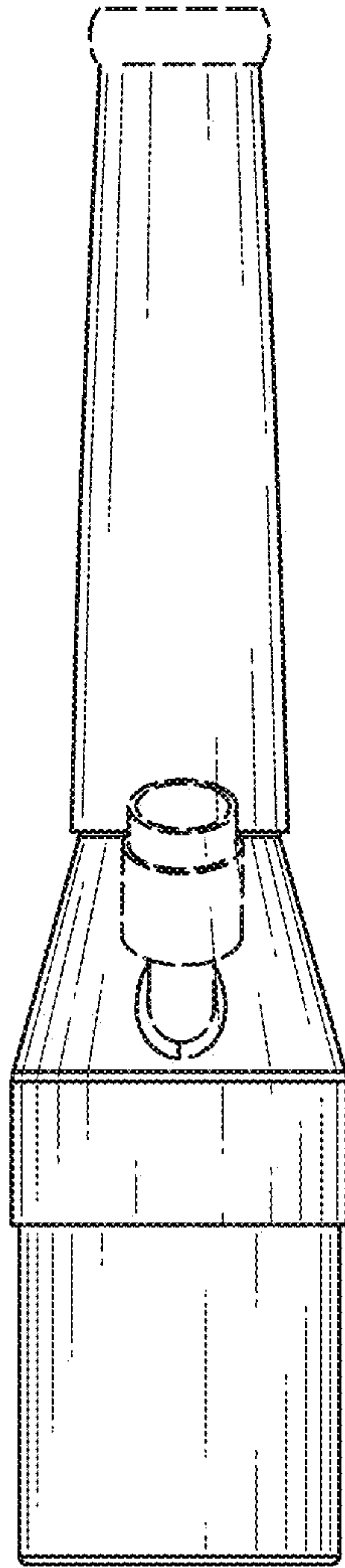


FIG. 5

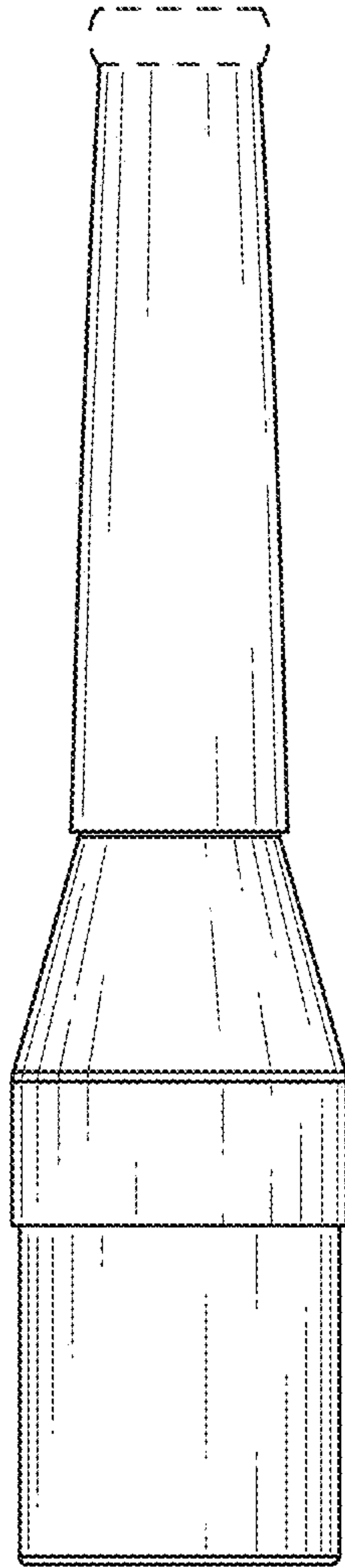


FIG. 6

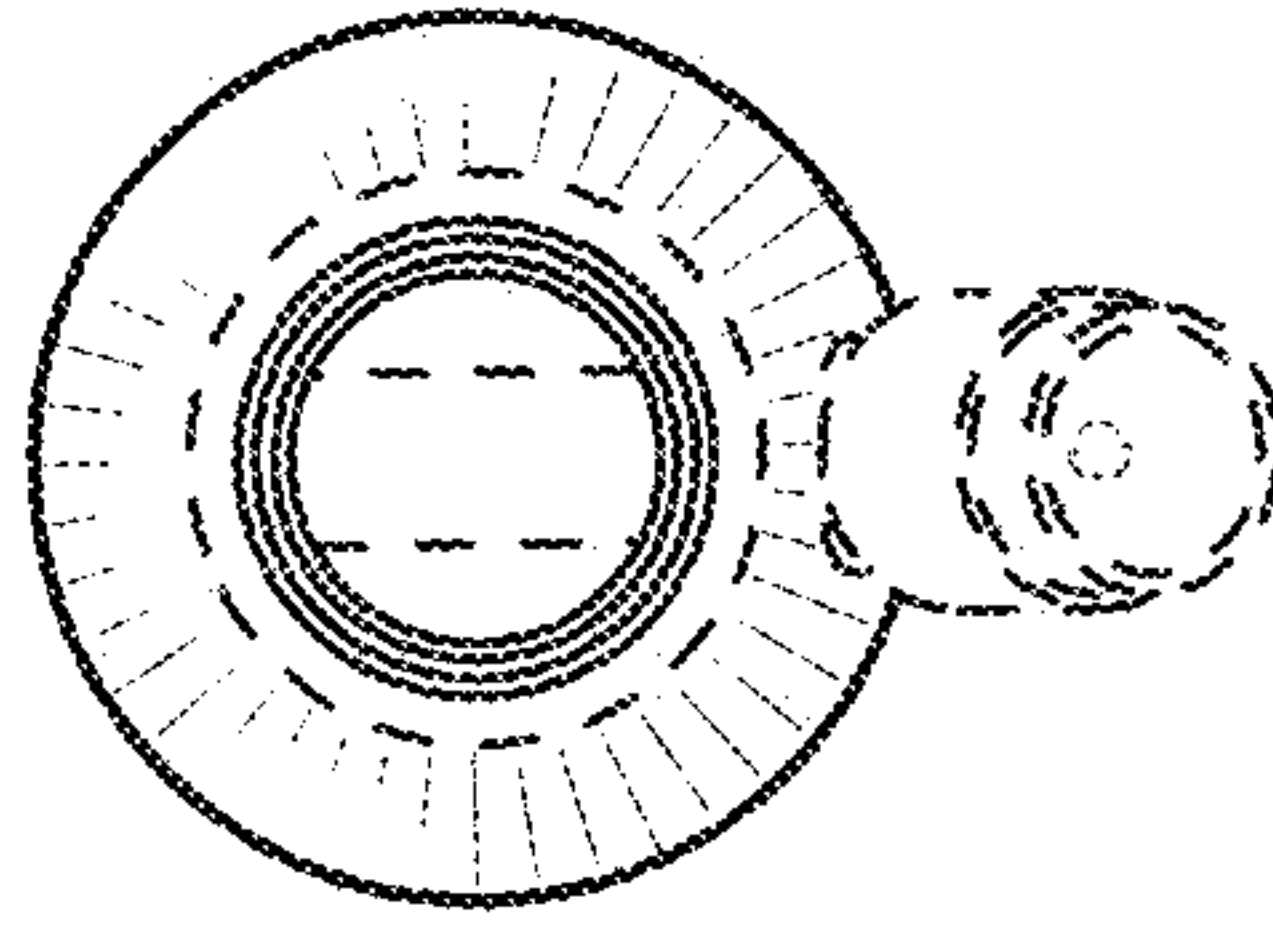


FIG. 7

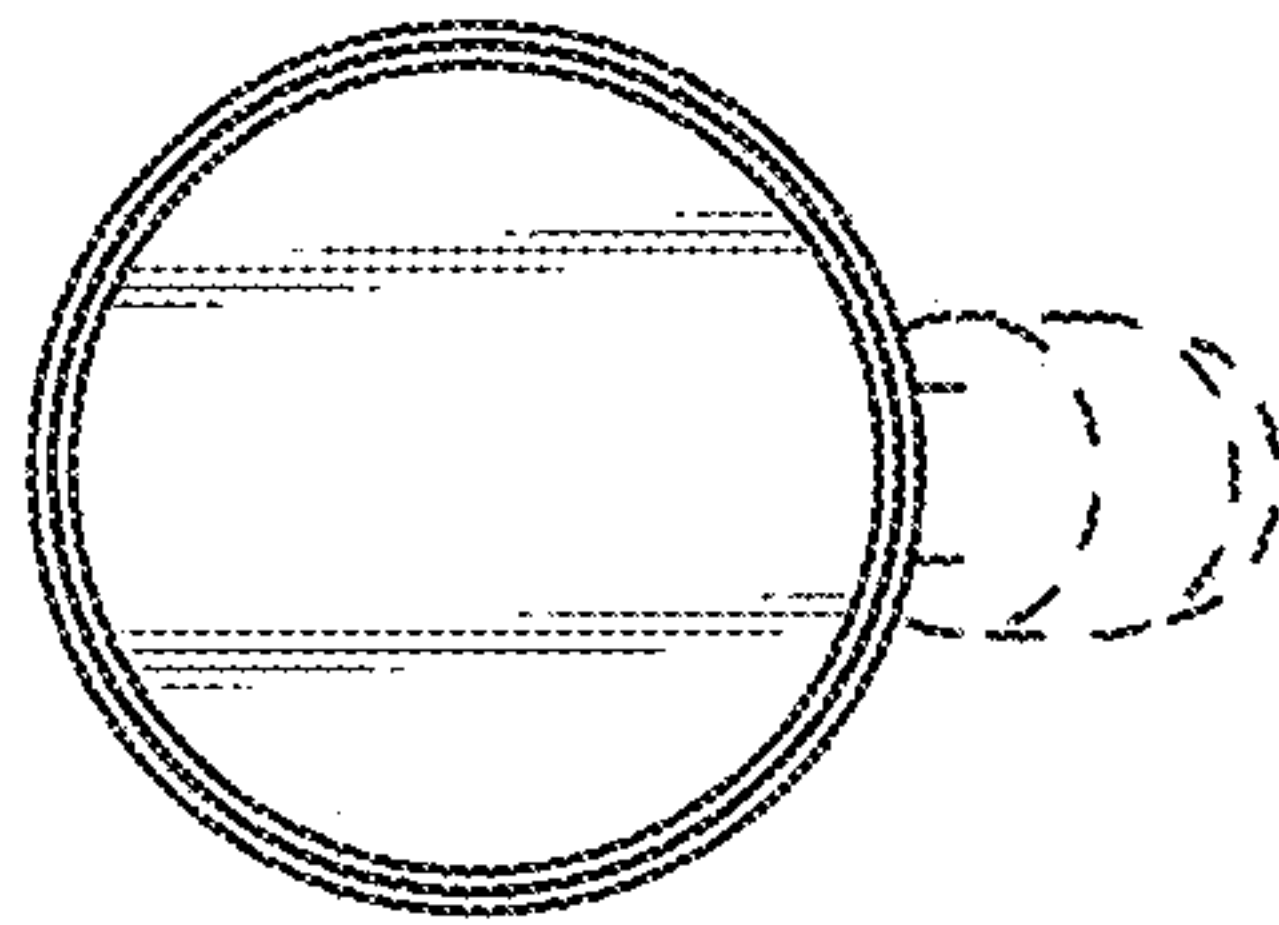


FIG. 8

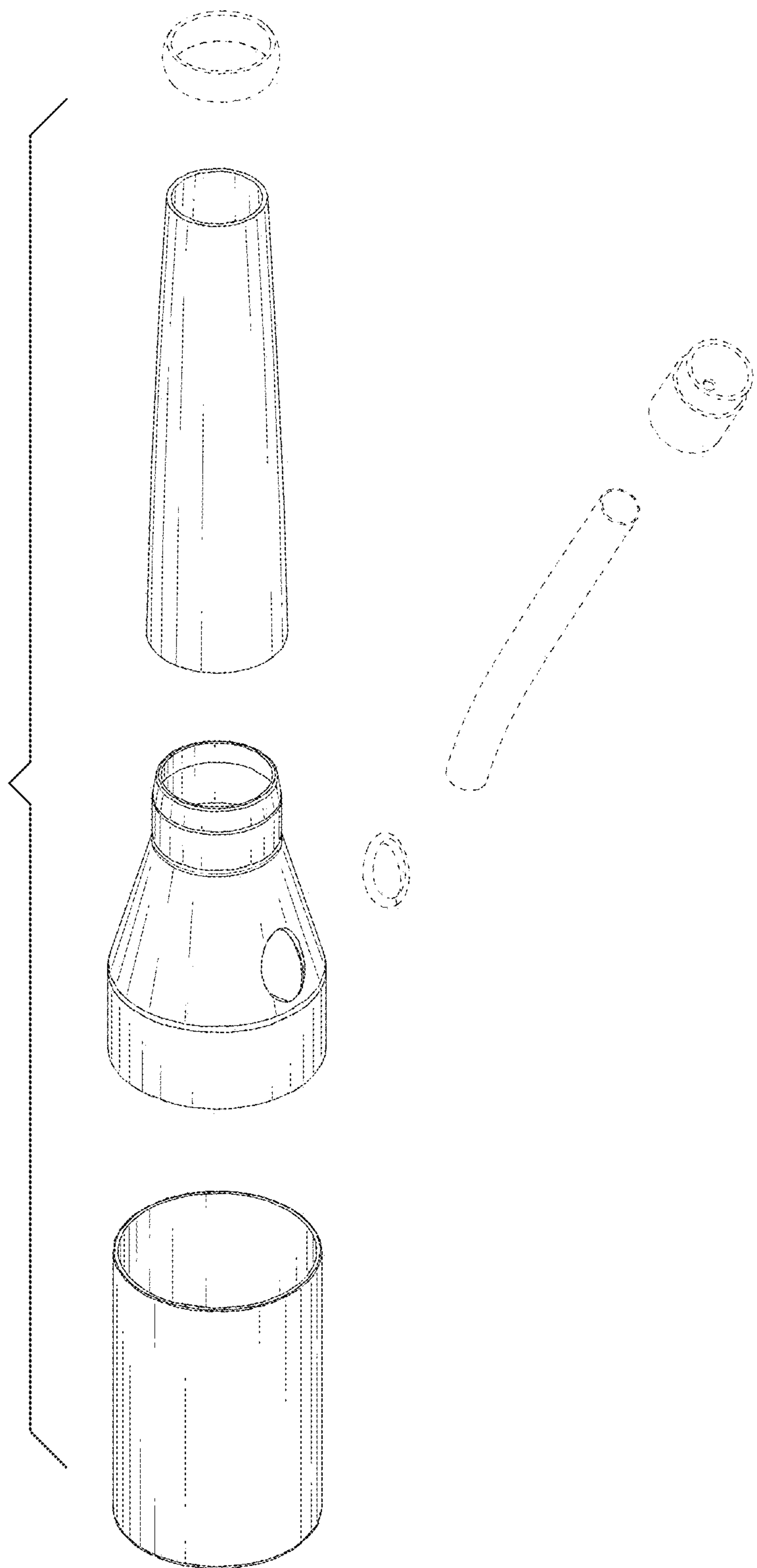


FIG. 9

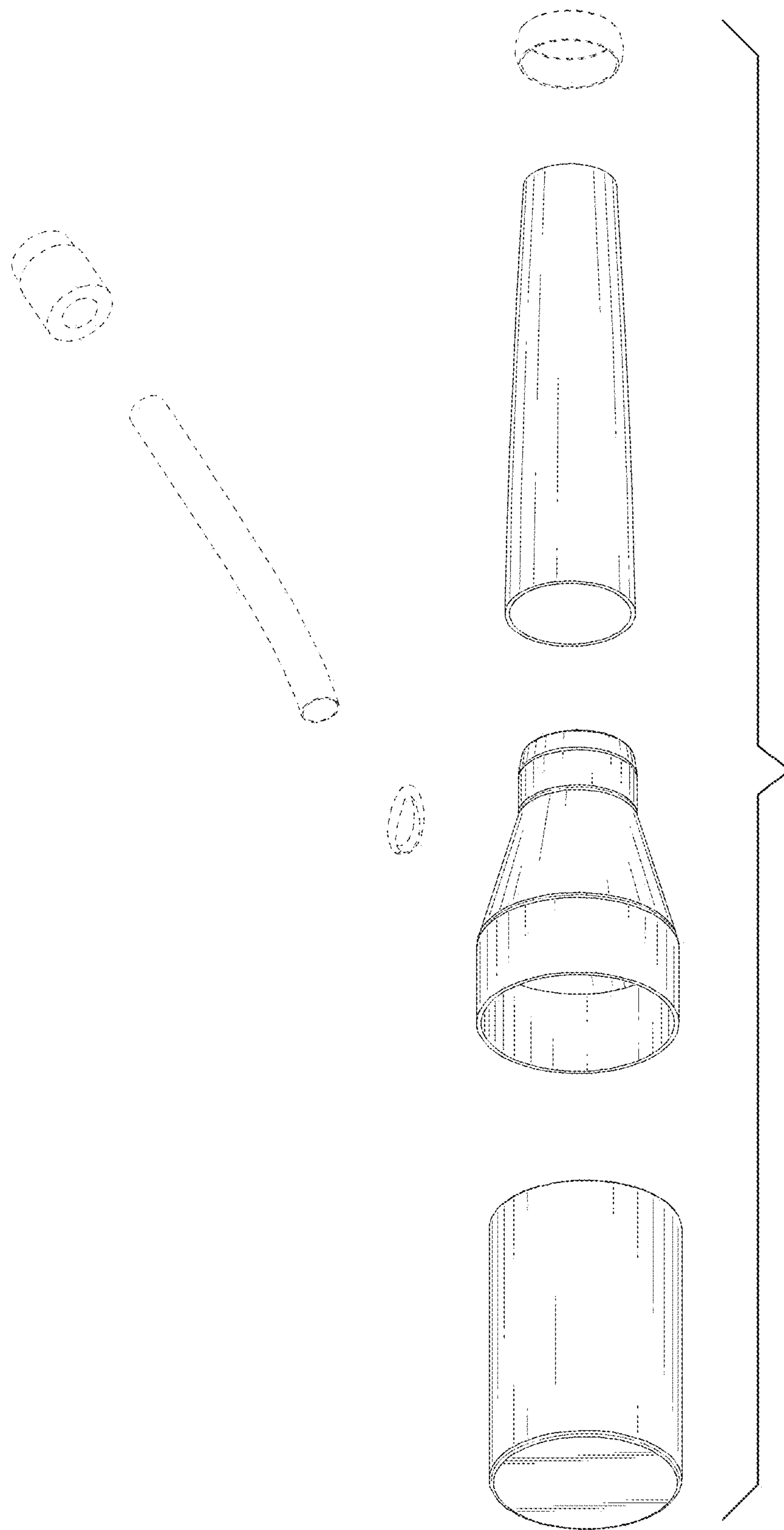


FIG. 10