



US0D1030106S

(12) **United States Design Patent**
Horne

(10) **Patent No.: US D1,030,106 S**

(45) **Date of Patent: ** *Jun. 4, 2024**

(54) **SPOTLIGHT**

8,376,574 B2 2/2013 Spartano et al.
D713,077 S * 9/2014 Hao D26/37
D752,263 S * 3/2016 Keeley F21V 21/0885
D26/44

(71) Applicant: **Alliance Sports Group, L.P.**, Fort Worth, TX (US)

(Continued)

(72) Inventor: **Gregory Lee Horne**, Euless, TX (US)

FOREIGN PATENT DOCUMENTS

(73) Assignee: **Alliance Sports Group, L.P.**, Roanoke, TX (US)

CN 303456811 * 11/2015
KR 300847716.0000 * 3/2016

(*) Notice: This patent is subject to a terminal disclaimer.

OTHER PUBLICATIONS

(**) Term: **15 Years**

Nebo Luxtreme Rechargeable Spotlight with Durable Anodized Aircraft-Grade Aluminum, USB Charging Cable and Batteries Included, Available in 1 Mile Beam, 3/4 Mile Beam, 1/2 Mile Beam, 1/4 Mile Beam, available in Amazon.com, date first available Sep. 27, 2021 [online], [site visited Sep. 19, 2023], (Year: 2021).*

(21) Appl. No.: **29/813,167**

(Continued)

(22) Filed: **Oct. 27, 2021**

(51) **LOC (14) Cl.** **26-02**

(52) **U.S. Cl.**
USPC **D26/37; D26/45**

(58) **Field of Classification Search**
USPC D26/46, 49, 37, 40, 41, 63, 45
CPC ... F21L 4/00; F21L 14/02; F21L 19/00; F21L 4/027; F21L 14/023
See application file for complete search history.

Primary Examiner — Sharon S Oum
Assistant Examiner — Raylen E Worthington
(74) *Attorney, Agent, or Firm* — Thorpe North & Western, LLP; Jed H. Hansen

(57) **CLAIM**

The ornamental design for a spotlight, as shown and described.

(56) **References Cited**

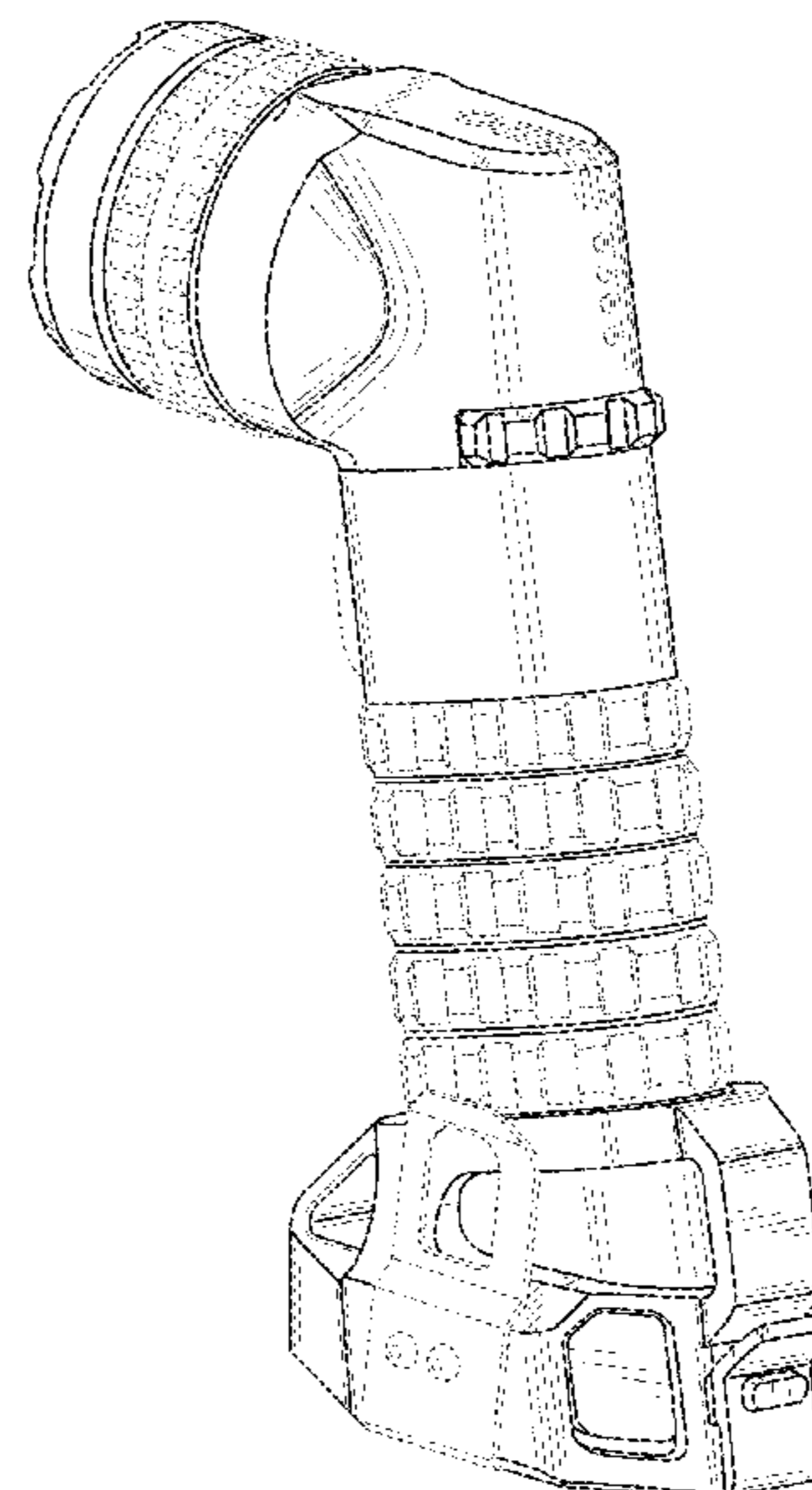
DESCRIPTION

U.S. PATENT DOCUMENTS

D136,756 S * 11/1943 Barash D26/37
4,963,798 A 10/1990 McDermott
D330,942 S * 11/1992 Leung D26/37
D388,201 S * 12/1997 Zurwelle D26/37
5,795,054 A 8/1998 Booty, Jr.
D434,868 S * 12/2000 Trigiani D26/45
6,357,893 B1 3/2002 Belliveau
D493,555 S * 7/2004 Kung D26/45
7,121,678 B1 10/2006 Shetter
D564,113 S * 3/2008 Yuen D26/42
7,387,402 B1 6/2008 Lui
7,435,982 B2 10/2008 Smith
D623,323 S * 9/2010 Kung D26/45

FIG. 1 is an elevated, perspective view of the spotlight in accordance with my invention;
FIG. 2 is a side view of the spotlight shown in FIG. 1;
FIG. 3 is an opposite side view of the spotlight shown in FIG. 2;
FIG. 4 is a front view of FIG. 1;
FIG. 5 is a back view of FIG. 1;
FIG. 6 is a top view of FIG. 1; and,
FIG. 7 is a bottom view of FIG. 1.
The broken lines shown represent portions of the article not claimed and form no part of the claimed design.

1 Claim, 5 Drawing Sheets



(56)

References Cited

U.S. PATENT DOCUMENTS

9,609,732	B2	3/2017	Smith	
9,865,447	B2	1/2018	Chuang et al.	
D824,060	S *	7/2018	Kunzendorf	D26/45
D861,942	S *	10/2019	Maier	D26/45
D866,030	S *	11/2019	Bao	D26/44
10,473,288	B2	11/2019	Maier et al.	
10,488,018	B2	11/2019	Malinskiy et al.	
D884,942	S *	5/2020	Sharrah	D26/37
2011/0280032	A1	11/2011	Kishimoto	
2012/0176780	A1	7/2012	Gross	
2012/0182748	A1	7/2012	McCaslin	
2013/0314893	A1	11/2013	Paquette	
2014/0313706	A1	10/2014	Itoh et al.	
2019/0323663	A1	10/2019	Rudy et al.	
2020/0041885	A1	2/2020	Peeters et al.	
2021/0219394	A1	7/2021	Van der Sijde et al.	

OTHER PUBLICATIONS

Available from the internet URL: <https://www.amazon.com/NEBO-Rechargeable-Spotlight-Aircraft-Grade-Batteries/dp/B09H7SPPHC/?th=1> (Year: 2021).*

Nebo Luxtreme Spotlight Series Commercial 30 Seconds, Frames: 0:27/0:30, announced in YouTube on Oct. 20, 2021 [online], [site visited Sep. 19, 2023], Available from the internet URL: <https://www.youtube.com/watch?v=kyCpi2uygFM> (Year: 2021).*

U.S. Appl. No. 29/813,167, Horne.

U.S. Appl. No. 29/813,168, Horne.

YLX, "specification of Product for model No. A010-G-60-R65-0D13-00-0-B", Manual, Sep. 9, 2020, p. 1-11.

U.S. Appl. No. 17/846,875, Marcucci et al.

* cited by examiner

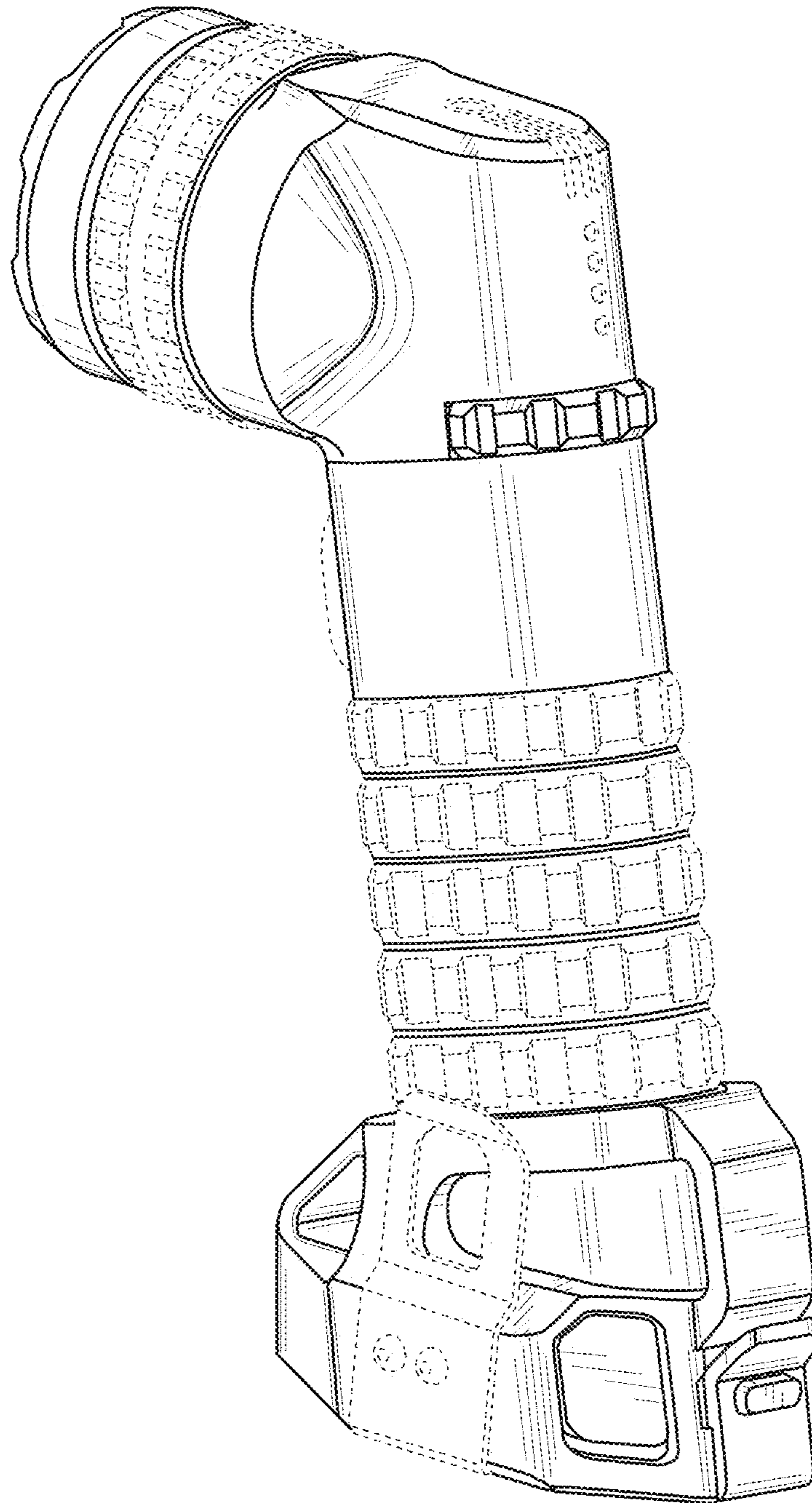


FIG. 1

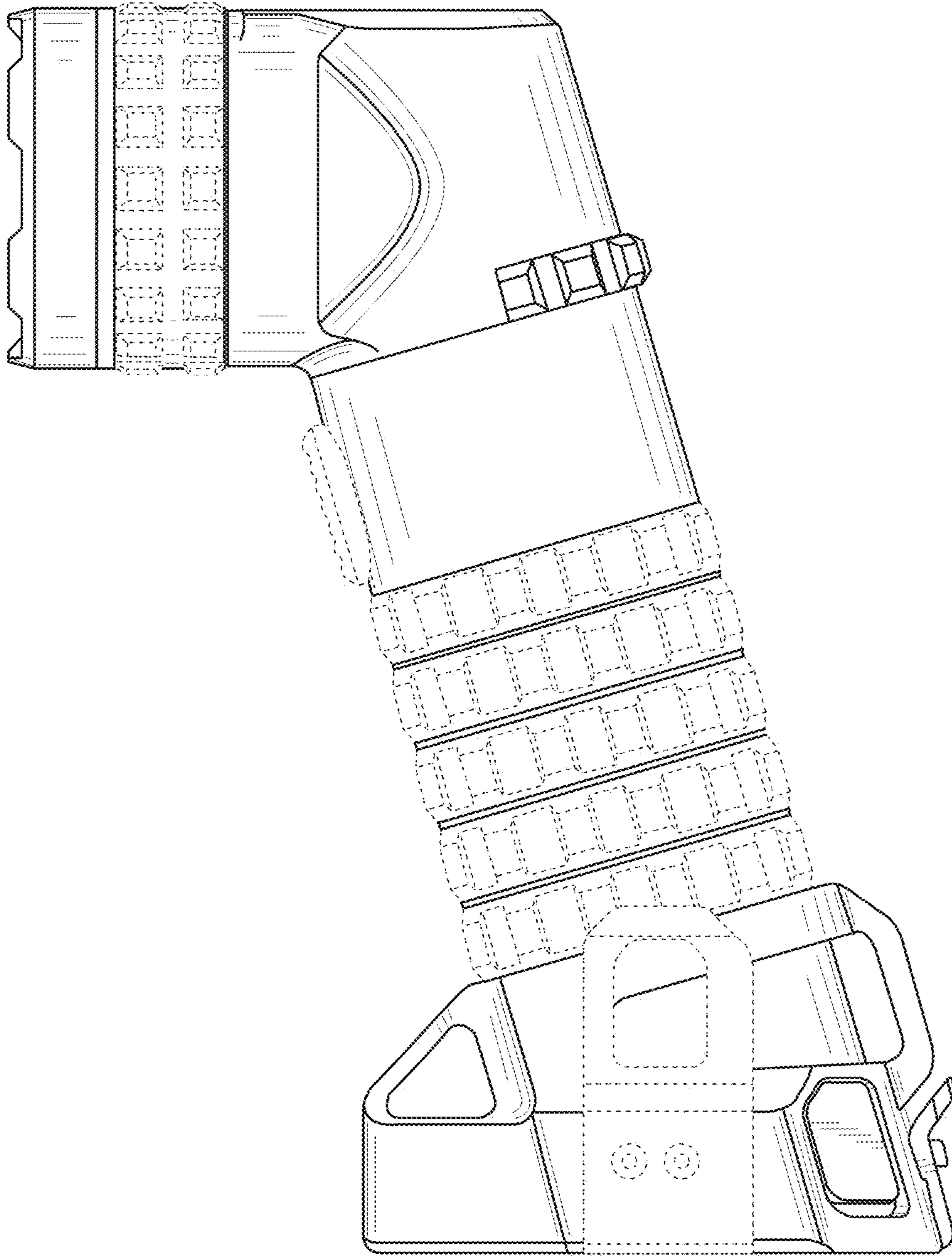


FIG. 2

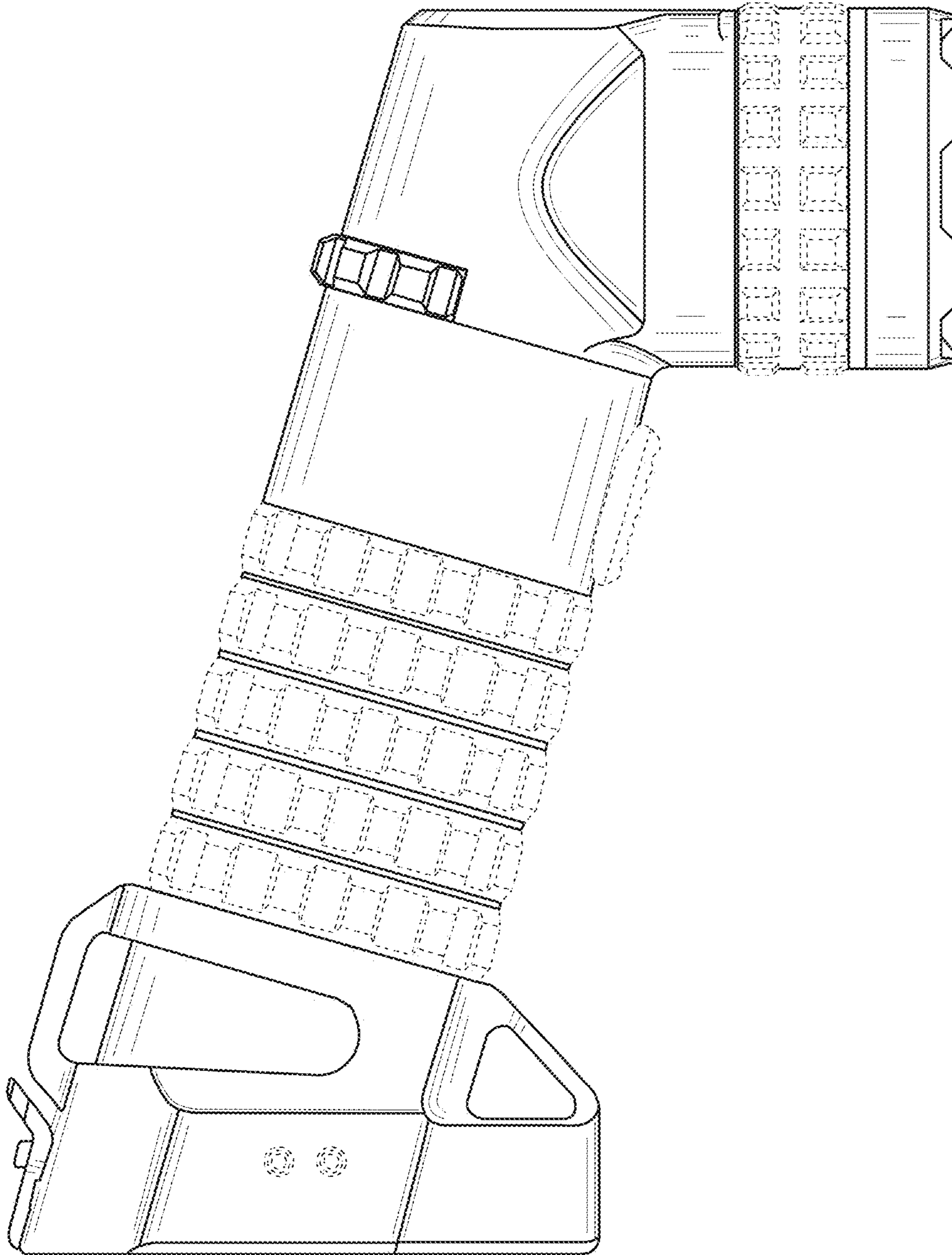


FIG. 3

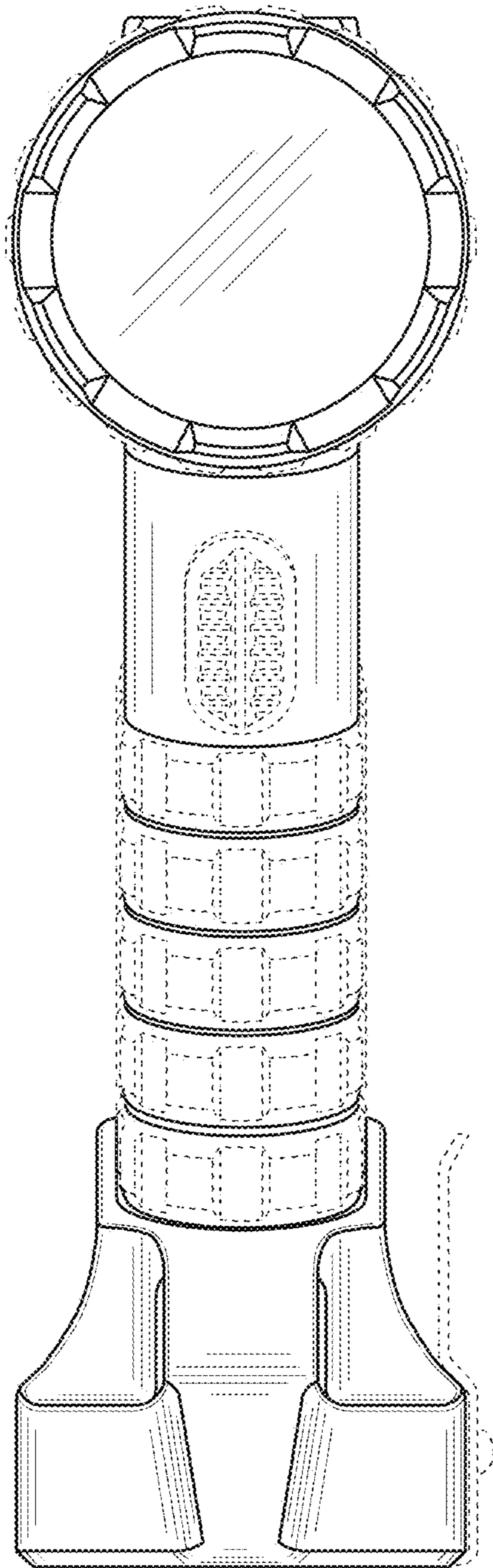


FIG. 4

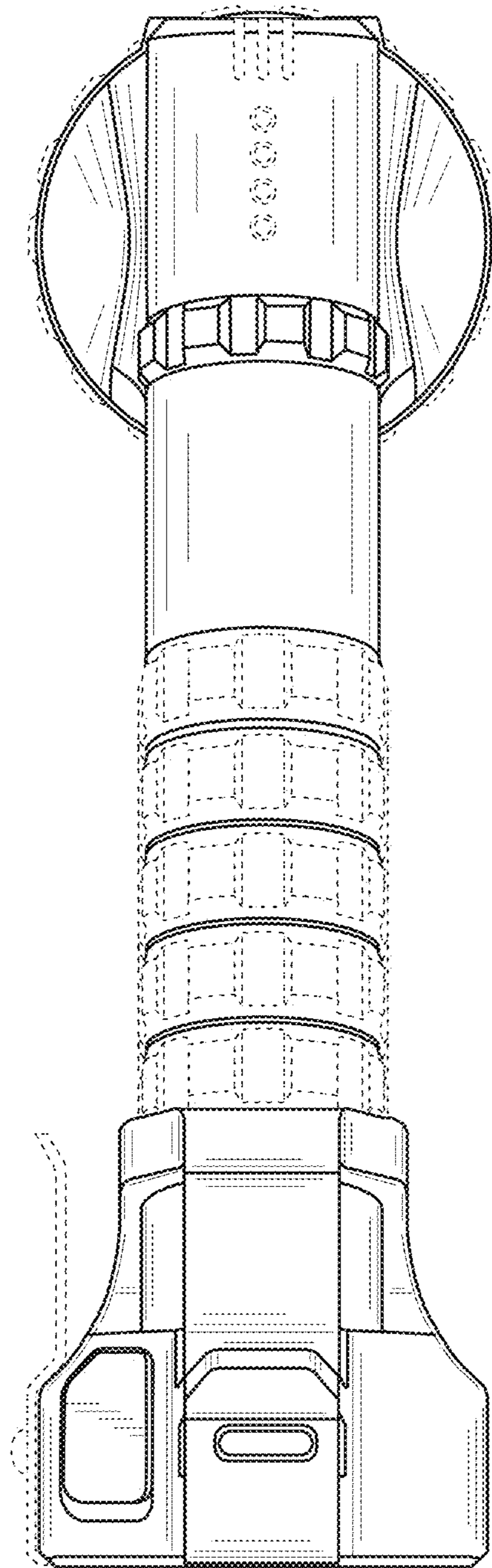


FIG. 5

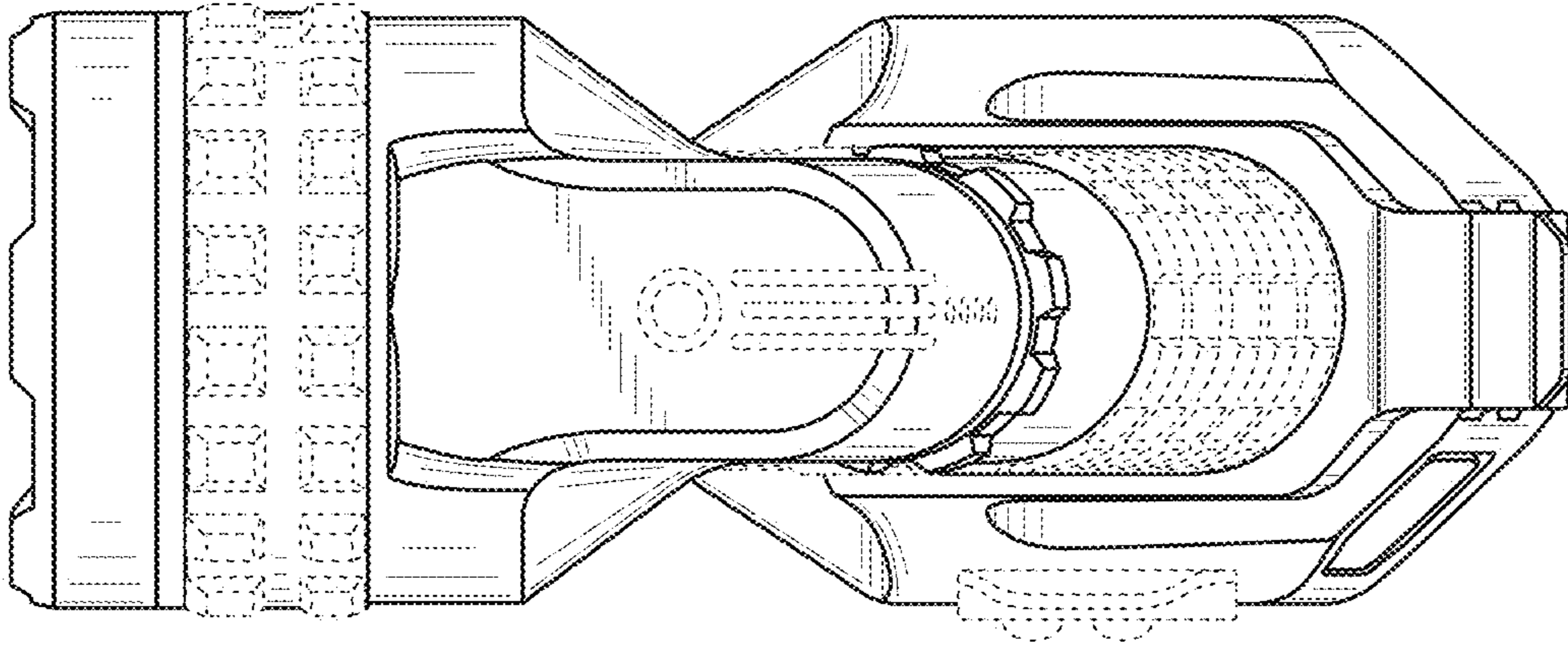


FIG. 6

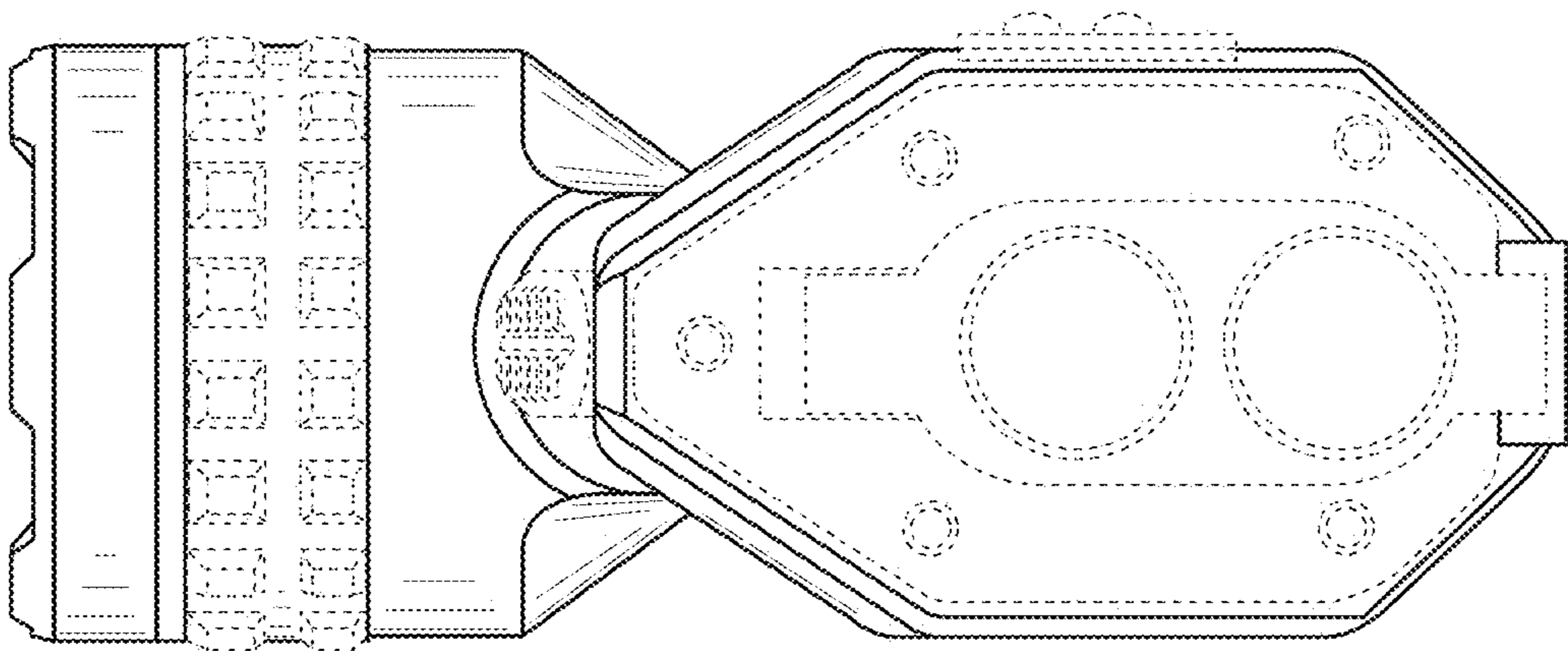


FIG. 7