



US0D1030073S

(12) **United States Design Patent**
Shirley-Smith

(10) **Patent No.:** **US D1,030,073 S**

(45) **Date of Patent:** **** Jun. 4, 2024**

(54) **INSULATED UPPER SECTION OF TENT**

(71) Applicant: **Alex Shirley-Smith**, London (GB)

(72) Inventor: **Alex Shirley-Smith**, London (GB)

(**) Term: **15 Years**

(21) Appl. No.: **29/828,827**

(22) Filed: **Mar. 1, 2022**

(51) **LOC (14) Cl.** **21-04**

(52) **U.S. Cl.**
USPC **D21/834**

(58) **Field of Classification Search**
USPC D21/834, 838, 839; D25/4, 32
CPC E04H 15/00; E04H 15/10; E04H 15/12;
E04H 15/16; E04H 15/18; E04H 15/34;
E04H 15/44; E04H 15/54
See application file for complete search history.

(56) **References Cited**

U.S. PATENT DOCUMENTS

4,078,572	A *	3/1978	Moss	E04H 15/40 D21/834
D250,964	S *	1/1979	Whitney, Jr.	D25/4
D325,239	S *	4/1992	Norman	D21/834
5,222,513	A *	6/1993	Hilliard	E04H 15/64 135/117
D351,011	S *	9/1994	Tsai	D21/834
D369,638	S *	5/1996	Smith	D21/834
D397,445	S *	8/1998	Thorbeck	D25/1
10,138,653	B1 *	11/2018	Weber	B32B 27/12
10,858,856	B1 *	12/2020	Dusek	E04H 15/54

D984,575	S *	4/2023	Cao	D21/837
D986,369	S *	5/2023	Vargvik	D21/834
D1,004,030	S *	11/2023	Shirley-Smith	D21/834
2022/0136275	A1 *	5/2022	Julian	E04H 15/18 135/92
2024/0110404	A1 *	4/2024	Chick	E04H 15/54

* cited by examiner

Primary Examiner — Cynthia M. Chin

(74) *Attorney, Agent, or Firm* — Michael J. Feigin, Esq.;
Feigin and Fridman LLC

(57) **CLAIM**

I claim the ornamental design for an insulated upper section of tent, as shown and described.

DESCRIPTION

FIG. 1 shows a top and side perspective view of an insulated upper section of tent.

FIG. 2 shows a front elevation view thereof, the 60 degree offset elevational views in either direction being identical thereto.

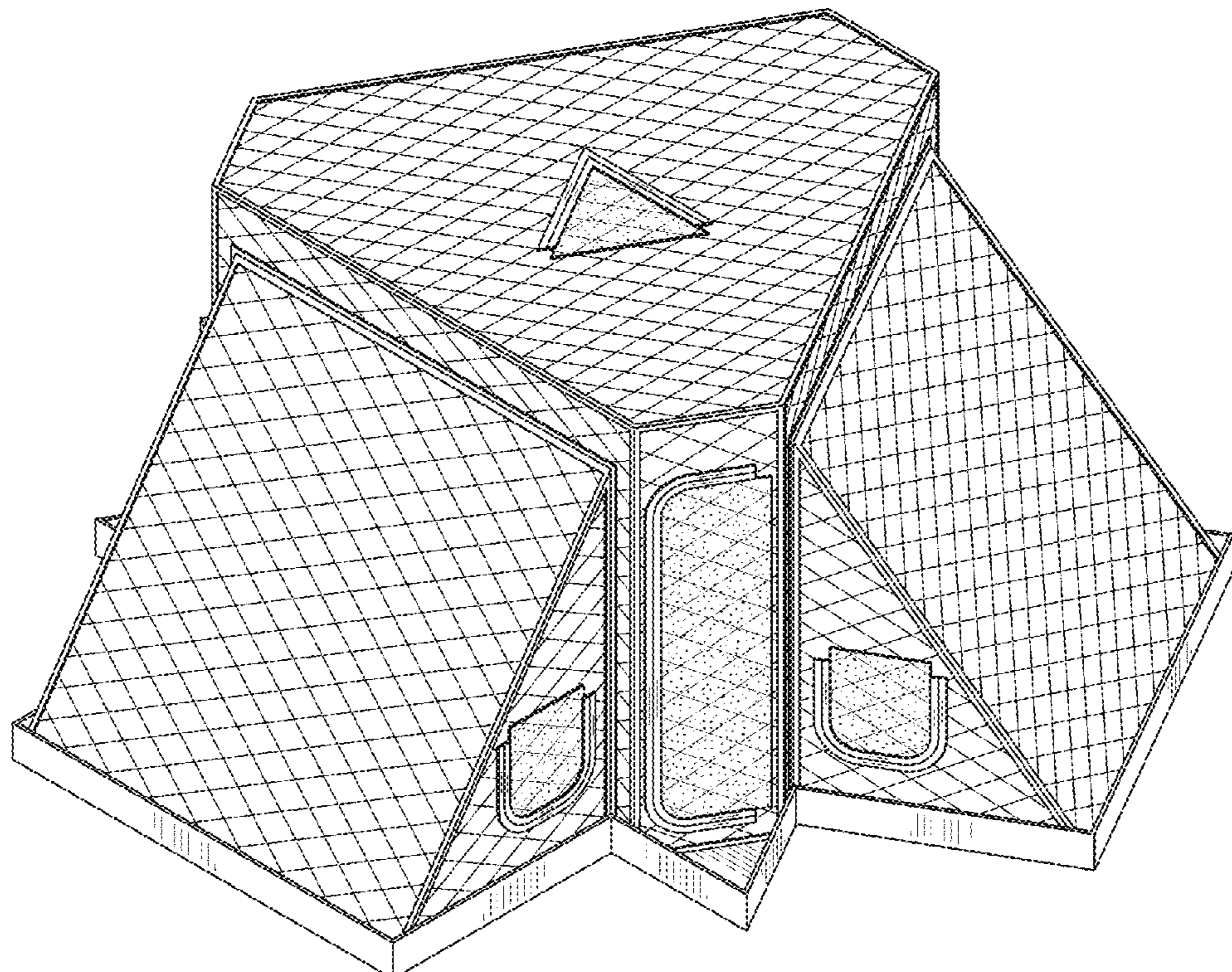
FIG. 3 shows a rear elevation view thereof, the 60 degree offset elevational views in either direction being identical thereto.

FIG. 4 shows an additional side view thereof, the 60 degree offset elevational views in either direction being identical thereto.

FIG. 5 shows a top plan view thereof; and,

FIG. 6 shows a bottom plan view thereof.

1 Claim, 5 Drawing Sheets



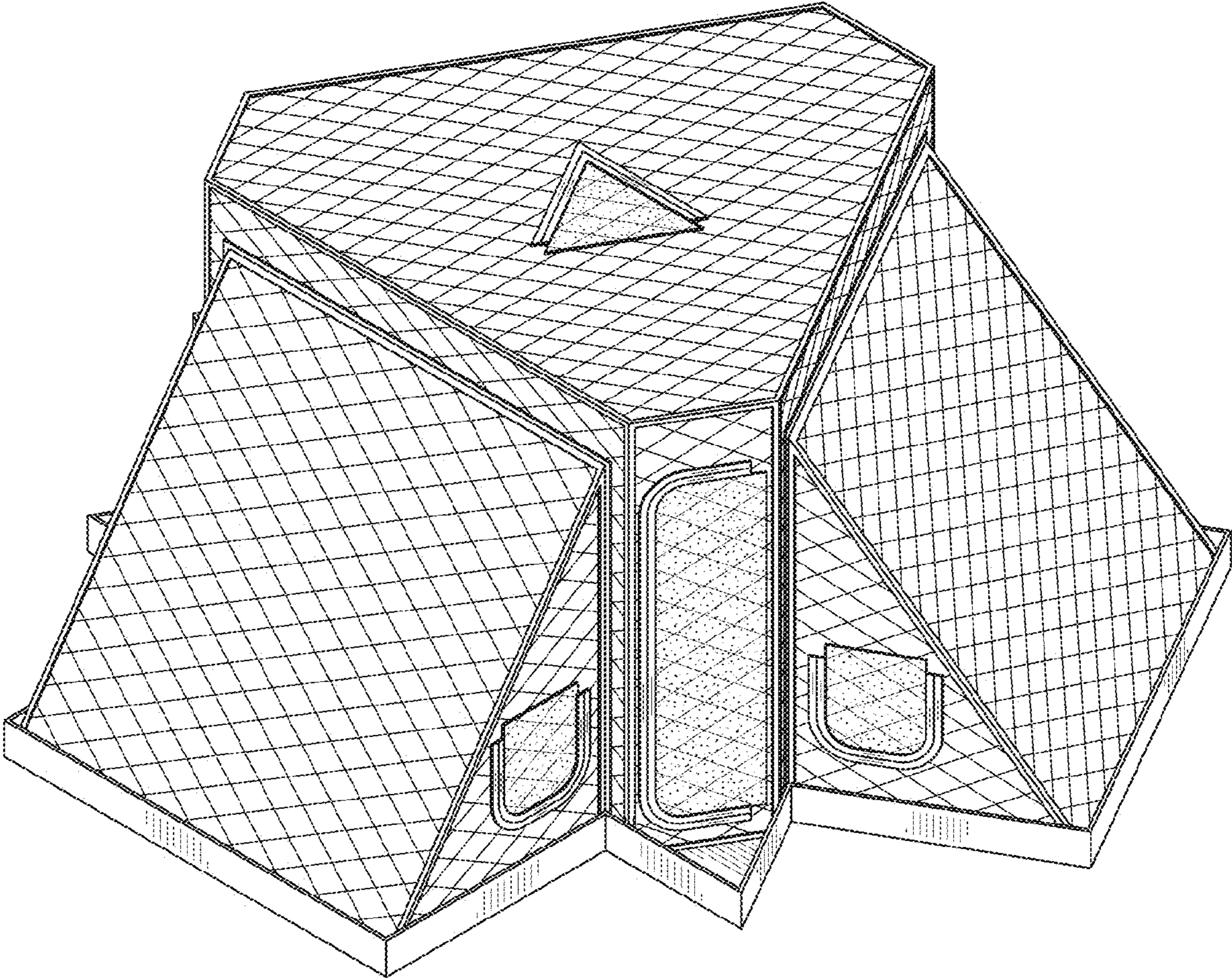


FIG. 1

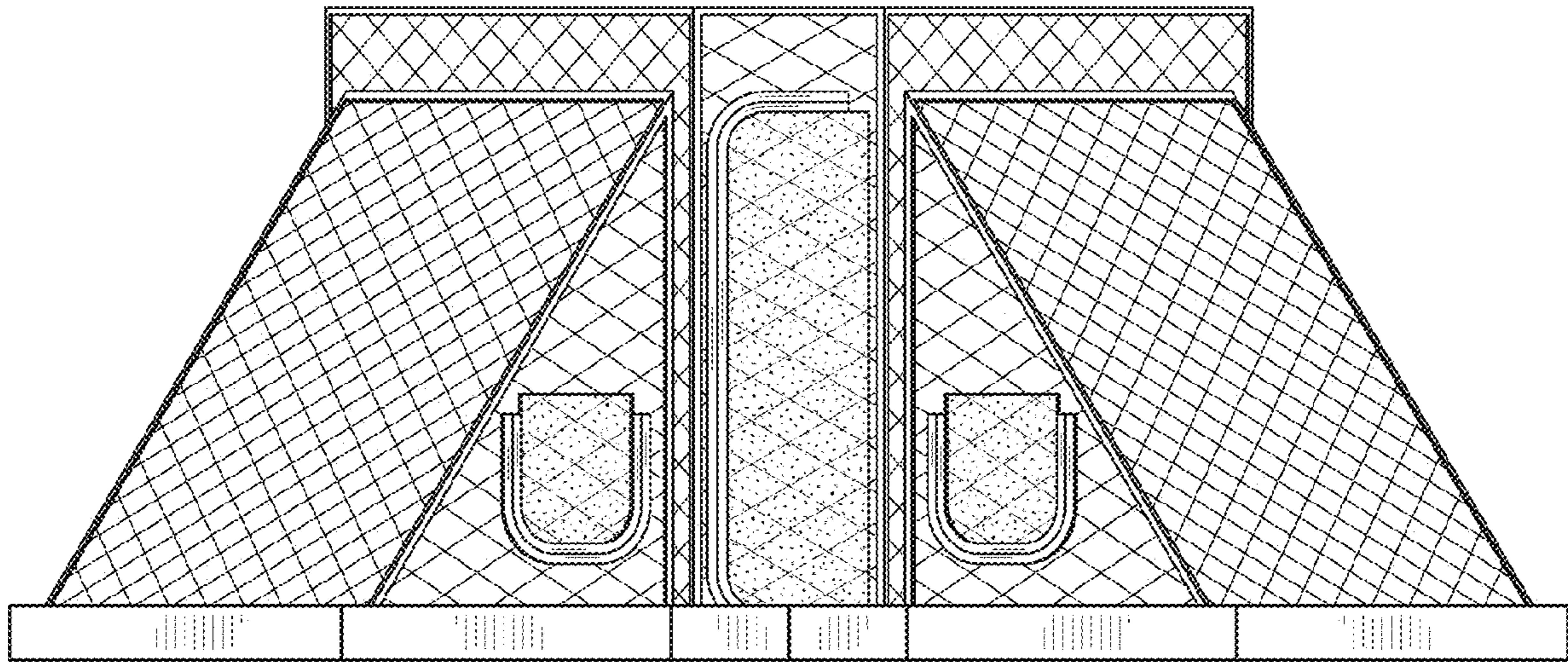


FIG. 2

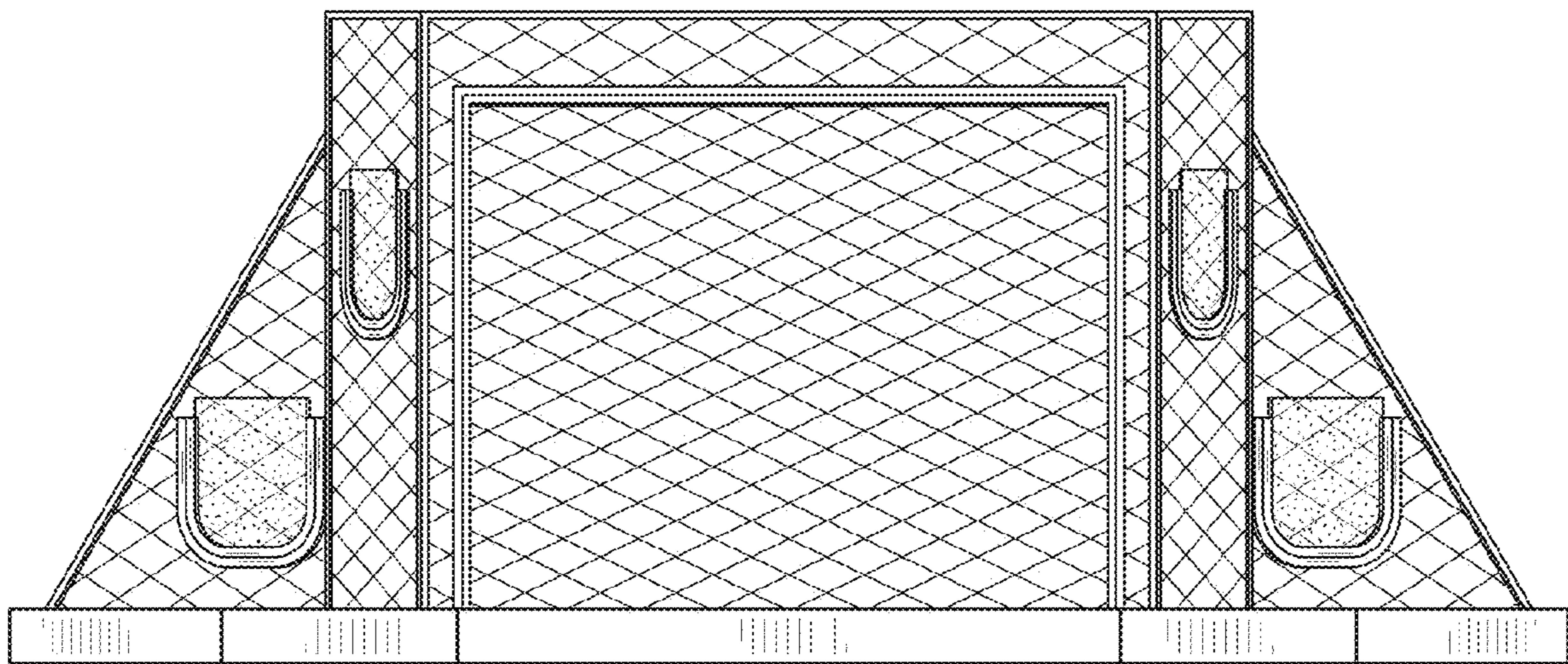


FIG. 3

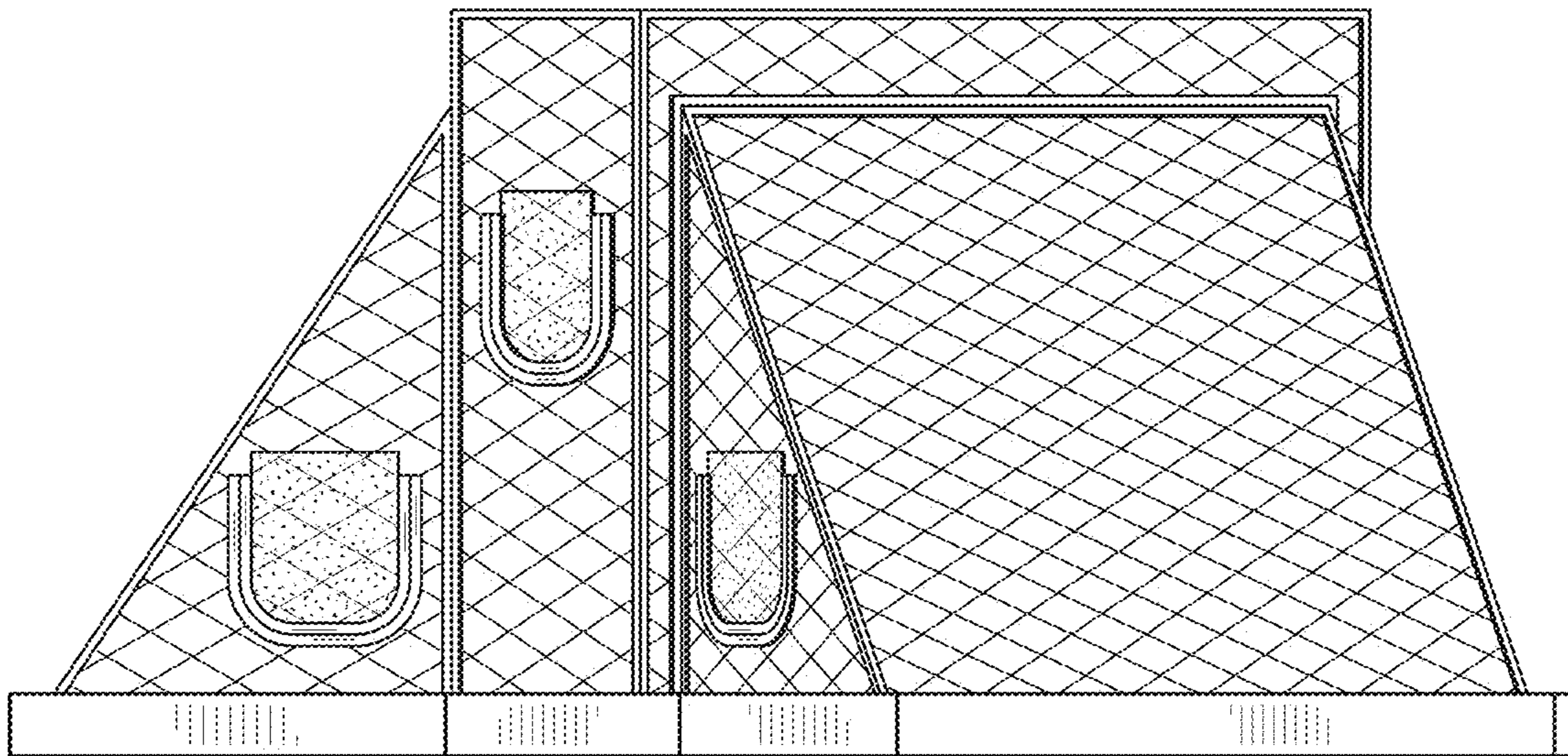


FIG. 4

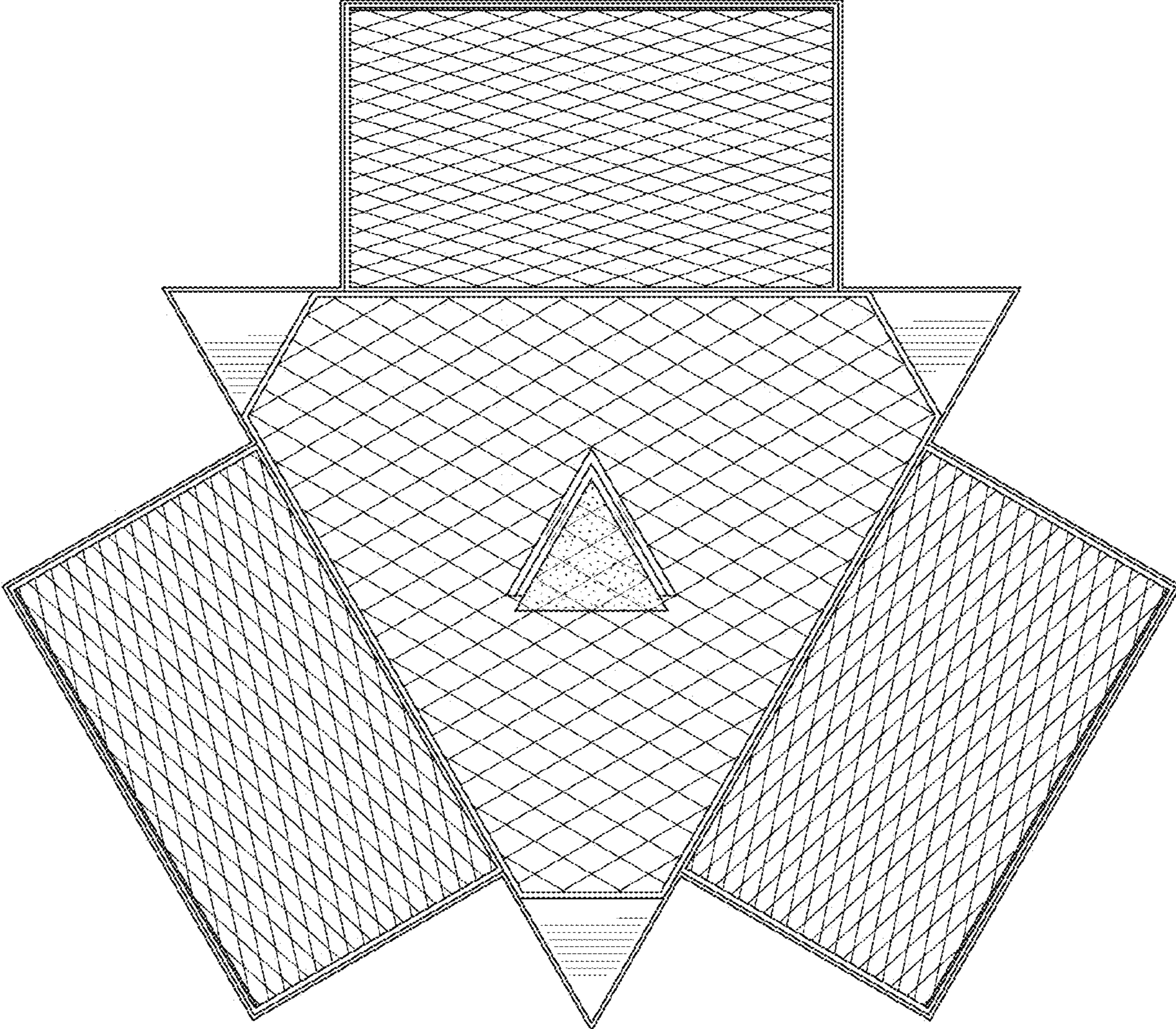


FIG. 5

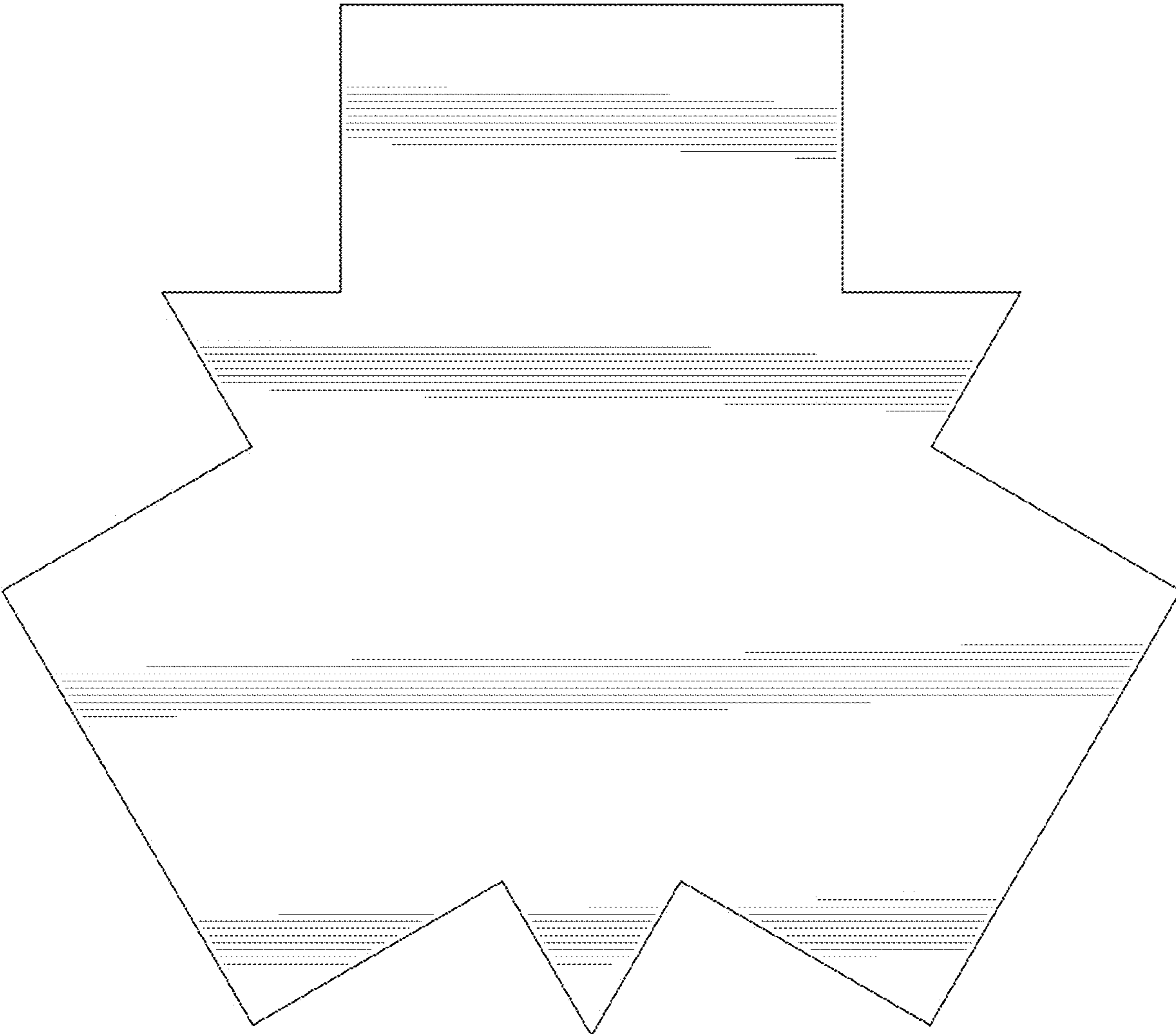


FIG. 6