



US0D1030006S

(12) **United States Design Patent** (10) **Patent No.:** **US D1,030,006 S**
Flaig et al. (45) **Date of Patent:** **** Jun. 4, 2024**

(54) **SHOWER CONTROL**

FOREIGN PATENT DOCUMENTS

(71) Applicant: **HANSGROHE SE**, Schiltach (DE)
(72) Inventors: **Marco Flaig**, Stuttgart (DE); **Matthias Oesterle**, Winterbach (DE)

CN 302000054 7/2012
EM 005319894-0007 3/2019
EM 005319894-0008 3/2019
GB 6212827 * 6/2022

(73) Assignee: **Hansgrohe SE**, Schiltach (DE)

OTHER PUBLICATIONS

(**) Term: **15 Years**

Axor Axor One Thermostatic Valve Trim with 3 Select Functions Less Rough In. [https://www.build.com/product/summary/1831572?uid=4344532&jmtest=gg-gbav2_4344532&inv2=1&&source=gg-gba-pla_4344532!c1709211103!a69367398840!dc!ng&gad_source=1&gclid=](https://www.build.com/product/summary/1831572?uid=4344532&jmtest=gg-gbav2_4344532&inv2=1&&source=gg-gba-pla_4344532!c1709211103!a69367398840!dc!ng&gad_source=1&gclid=EAlalQobChM19eekptfpgwMVb09HAR35VgL8EAQYBCABEgkL_D_BwE&gclid=)
EAlalQobChM19eekptfpgwMVb09HAR35VgL8EAQYBCABEgkL_D_BwE&gclid= (Year: 2021).*

(21) Appl. No.: **29/861,211**

(22) Filed: **Nov. 28, 2022**

* cited by examiner

(30) **Foreign Application Priority Data**

May 31, 2022 (EM) 009047731-0006

Primary Examiner — Robert A Delehanty

(51) **LOC (14) Cl.** **23-01**

(74) *Attorney, Agent, or Firm* — Lora J. Graentzdoerffer

(52) **U.S. Cl.**
USPC **D23/254**

(57) **CLAIM**

(58) **Field of Classification Search**
USPC D23/249–250, 252–254; D8/307–308, D8/353; D10/50

The ornamental design for a shower control, as shown and described.

CPC E03C 1/0412; E03C 1/0409; E03C 1/057; F16K 19/006; F16K 31/60; F16K 31/605

DESCRIPTION

See application file for complete search history.

FIG. 1 is a perspective view of a shower control showing our design;
FIG. 2 is a front elevational view;
FIG. 3 is a rear elevational view;
FIG. 4 is a side elevational view;
FIG. 5 is a side elevational view;
FIG. 6 is a top plan view; and,
FIG. 7 is a bottom plan view.

(56) **References Cited**

U.S. PATENT DOCUMENTS

D344,901 S * 3/1994 Conforti D10/50
D615,624 S * 5/2010 Allard D23/249
D705,401 S * 5/2014 Schoenherr D23/254
D725,235 S * 3/2015 Barber D23/254
D725,236 S * 3/2015 Barber D23/254
D859,596 S * 9/2019 Lance D23/249

The broken line disclosures in the view represents portions of a shower control in which the claimed design is embodied, but which forms no part of the claimed design.

1 Claim, 7 Drawing Sheets

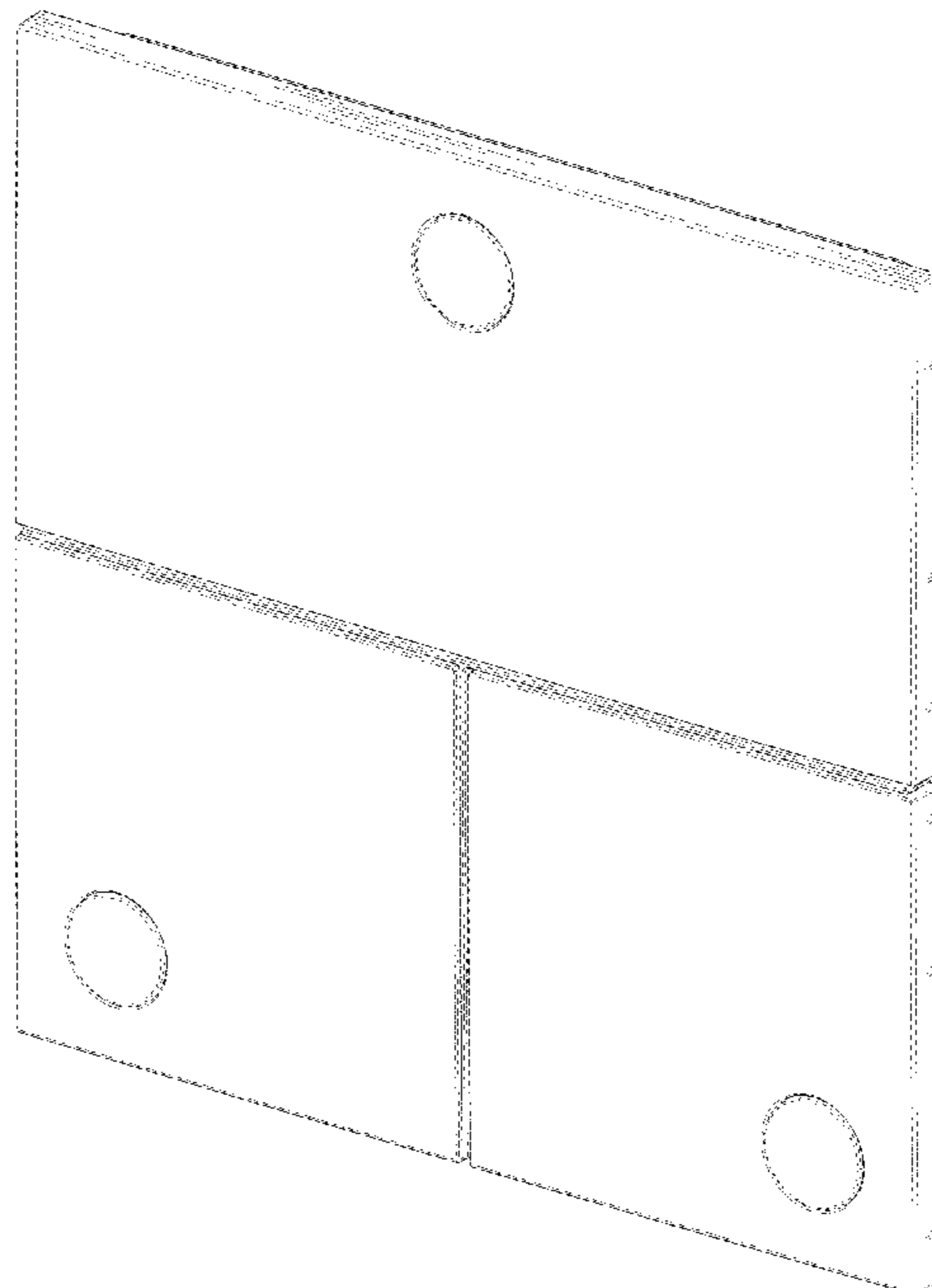


FIG. 1

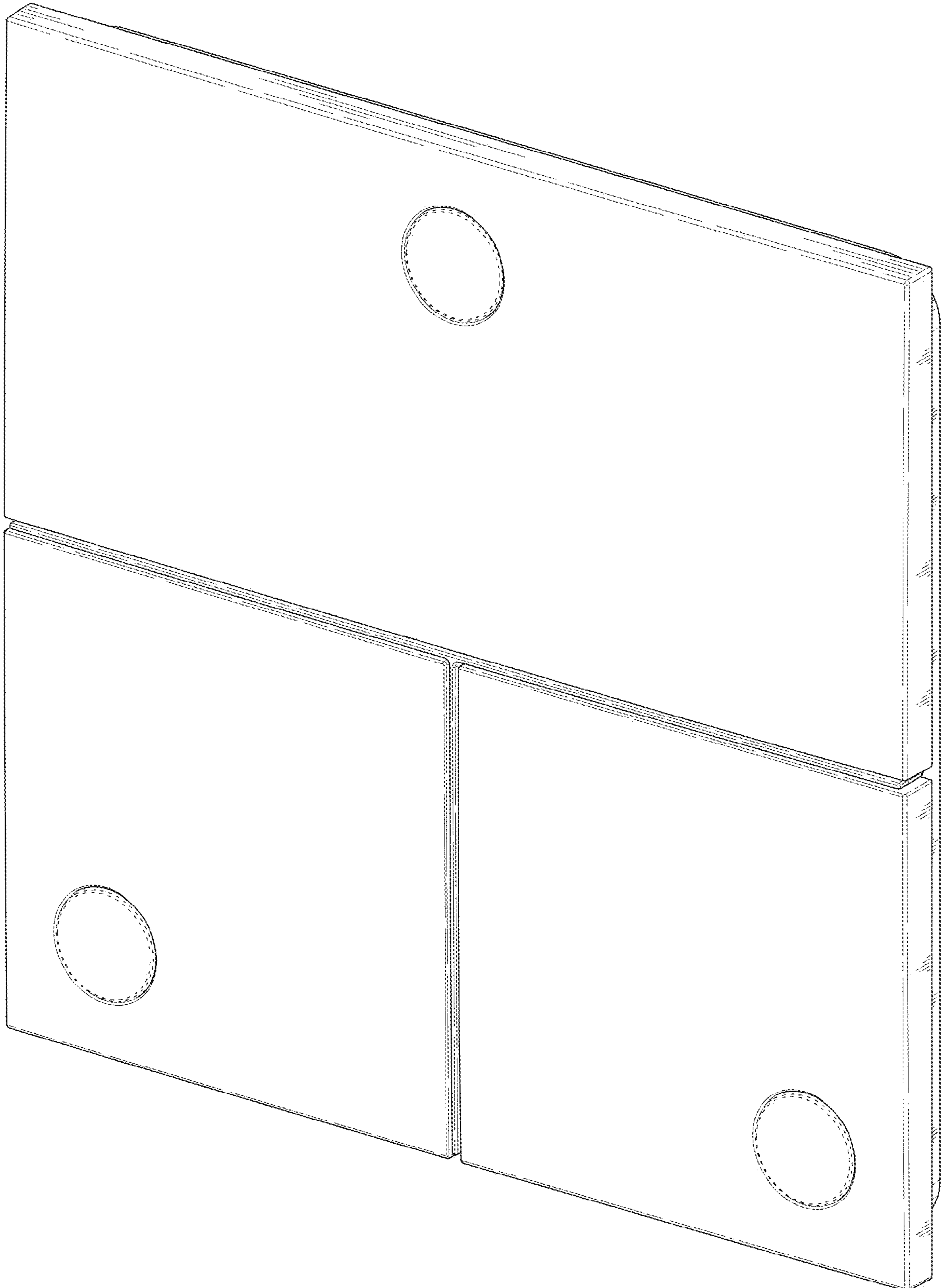


FIG. 2

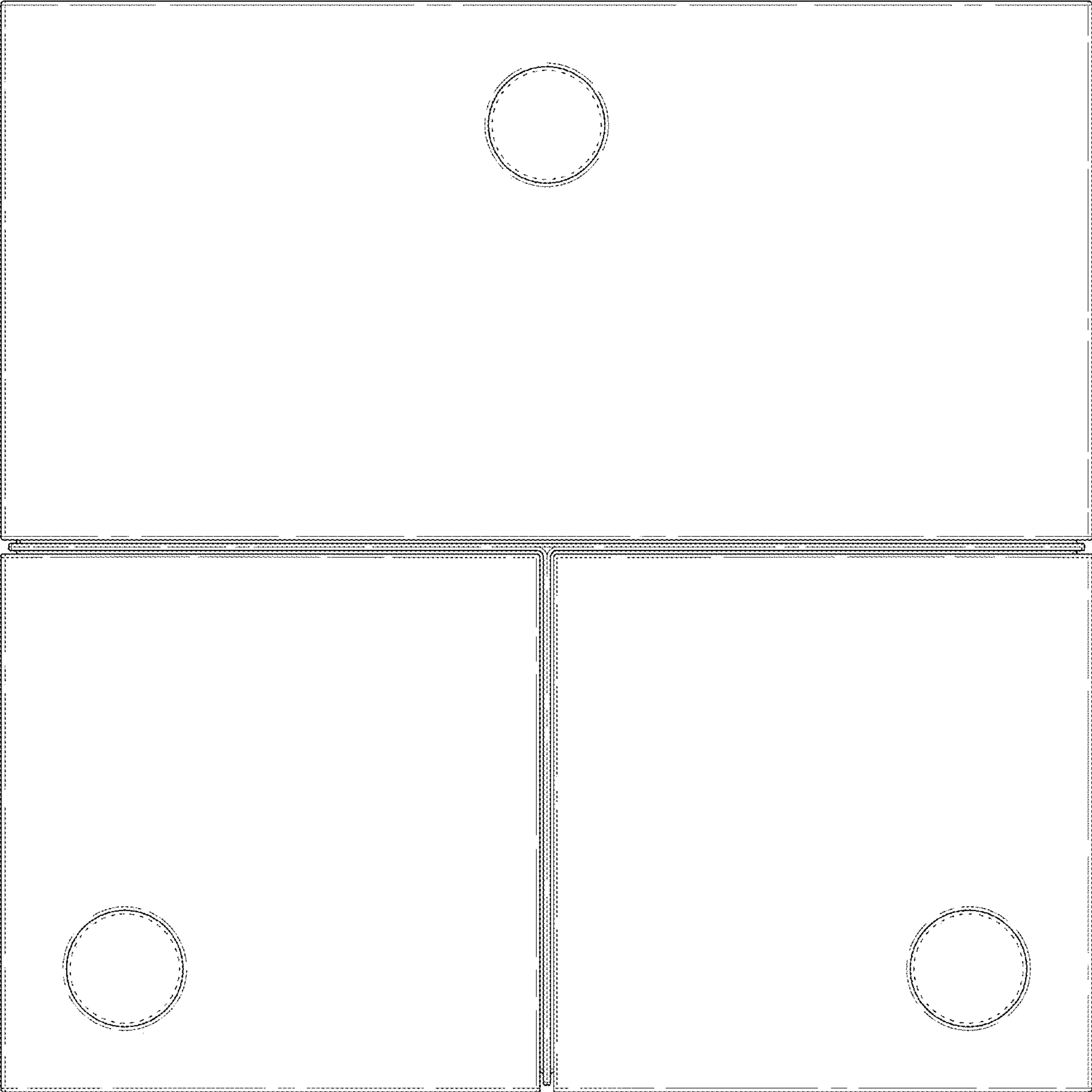


FIG. 3

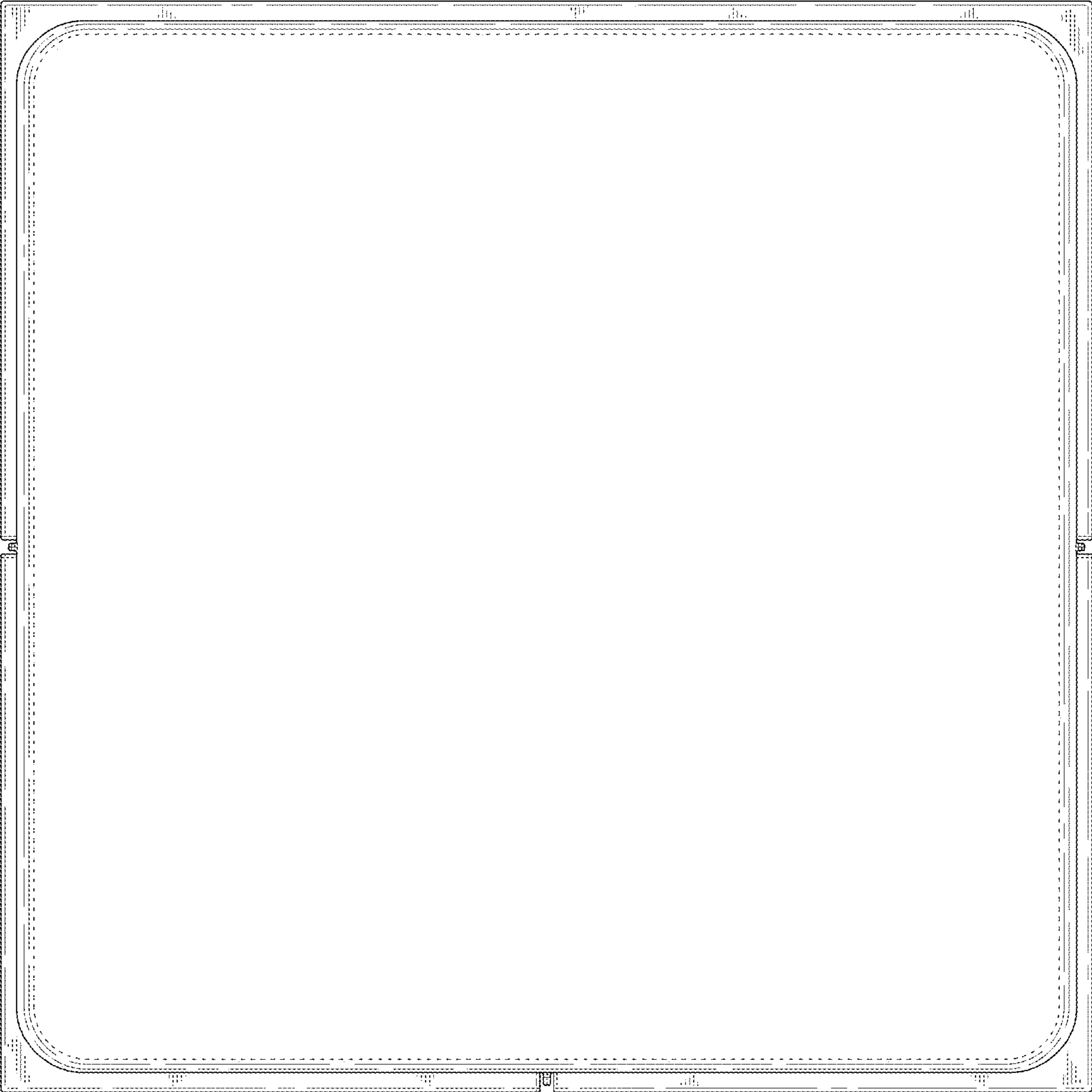


FIG. 4

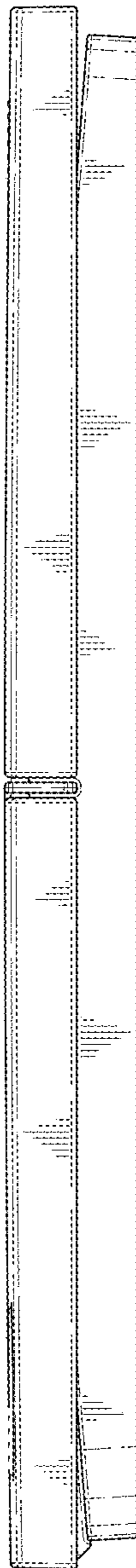


FIG. 5

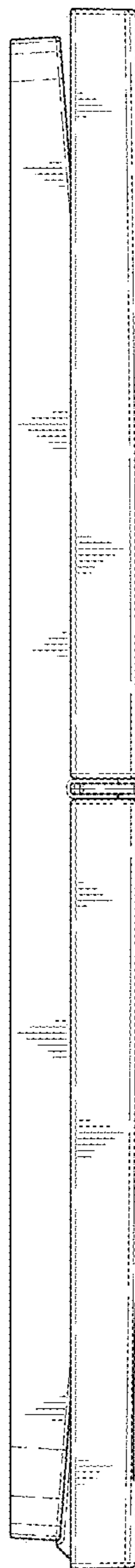


FIG. 6

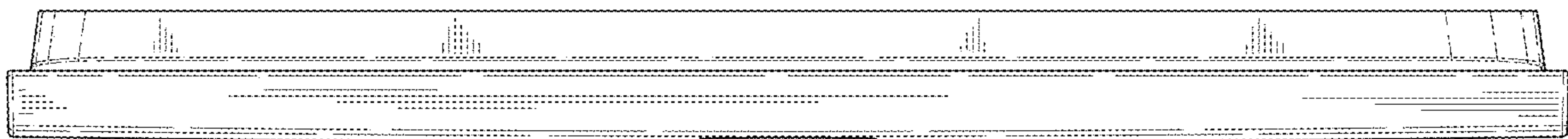


FIG. 7

