



US0D1029941S

(12) **United States Design Patent** (10) **Patent No.:** **US D1,029,941 S**
Greiner et al. (45) **Date of Patent:** **** Jun. 4, 2024**

(54) **POLE HAVING HOOPS**

(56) **References Cited**

(71) Applicant: **SANS END SPORTS, LLC**, Blue Point, NY (US)

U.S. PATENT DOCUMENTS

(72) Inventors: **Gregory C. Greiner**, Forest Hills, NY (US); **Kyle M. Greiner**, Roswell, GA (US)

3,716,234	A *	2/1973	Lancellotti	A63B 63/083 248/346.03
4,013,292	A *	3/1977	Cohen	A63B 69/0071 273/371
4,480,834	A *	11/1984	Minami	A63F 7/0612 446/309
D307,616	S *	5/1990	Kelly	D21/702
5,125,651	A *	6/1992	Keeling	A63B 63/083 473/448
5,842,699	A *	12/1998	Mirando	A63B 69/0071 473/480

(73) Assignee: **SANS END SPORTS, LLC**, Blue Point, NY (US)

(**) Term: **15 Years**

(Continued)

(21) Appl. No.: **29/834,676**

Primary Examiner — Mehri F Bajoul

(22) Filed: **Apr. 13, 2022**

(74) *Attorney, Agent, or Firm* — Aasheesh V. Shrivah;
Culhane Meadows PLLC

(57) **CLAIM**

The ornamental design for a pole having hoops, as shown and described.

Related U.S. Application Data

(63) Continuation-in-part of application No. 17/702,569, filed on Mar. 23, 2022, now Pat. No. 11,731,019, which is a continuation of application No. 16/170,990, filed on Oct. 25, 2018, now abandoned.

DESCRIPTION

(51) **LOC (14) Cl.** **21-01**

(52) **U.S. Cl.**
USPC **D21/302**; D21/305

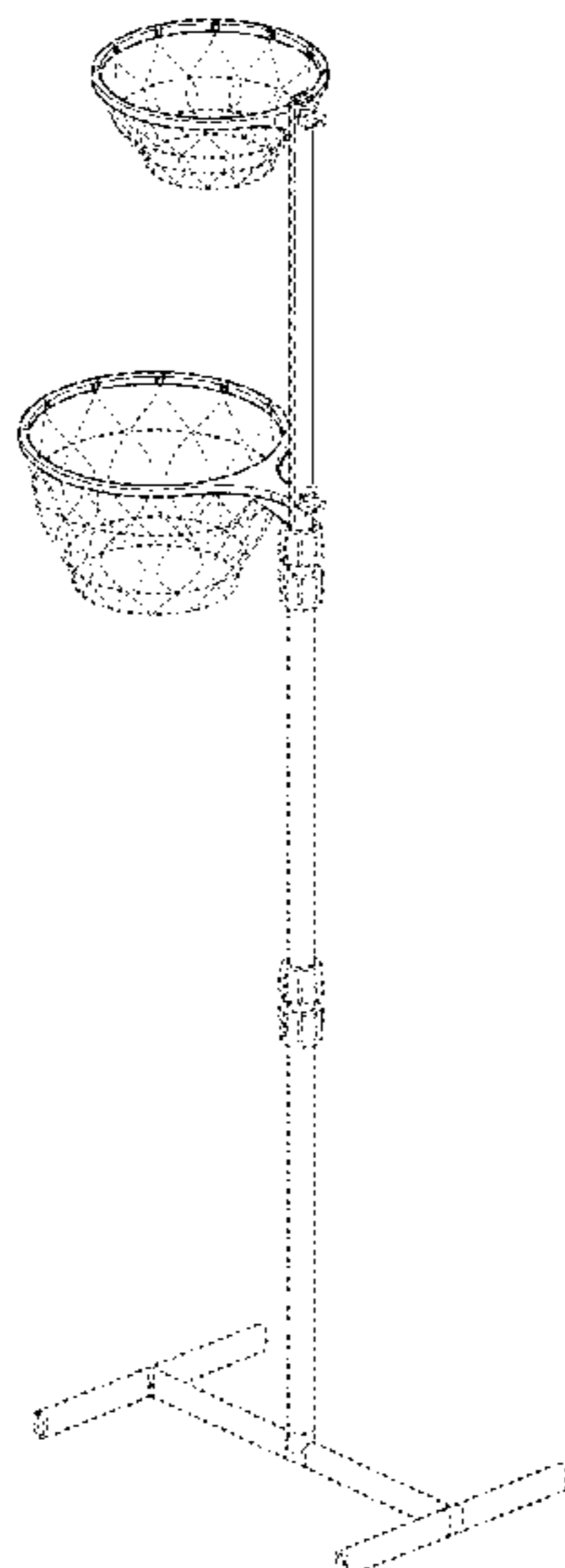
(58) **Field of Classification Search**
USPC D21/300–307, 319, 335, 342, 386, 699, D21/702, 705, 789, 790, 791; D20/16, D20/21; D6/301, 310–312, 317, D6/319–322, 328, 655.18, 675.5, 685, D6/688.15, 693.1, 695.4, 696.3, 708, D6/708.16, 709, 709.02, 716.1
CPC ... A63B 63/083; A63B 63/06; A63B 71/0036; A63B 63/08; A63B 69/0071; A63B 63/00; A63B 71/022

FIG. 1 is a rear perspective view of a first embodiment of a pole having hoops;
FIG. 2 is a first side elevational view thereof;
FIG. 3 is a second side elevational view thereof;
FIG. 4 is a front elevational view thereof;
FIG. 5 is a rear elevational view thereof;
FIG. 6 is a top plan view thereof;
FIG. 7 is a bottom plan view thereof;
FIG. 8 is a rear perspective view of a second embodiment of a pole having hoops;
FIG. 9 is a first side elevational view thereof;
FIG. 10 is a second side elevational view thereof;
FIG. 11 is a front elevational view thereof;
FIG. 12 is a rear elevational view thereof;
FIG. 13 is a top plan view thereof; and,
FIG. 14 is a bottom plan view thereof.

The broken lines shown in the figures show portions of the pole having hoops that form no part of the claimed design.

See application file for complete search history.

1 Claim, 12 Drawing Sheets



(56)

References Cited

U.S. PATENT DOCUMENTS

D405,123 S *	2/1999	Dekeyser	D21/303				
D431,272 S *	9/2000	Graham	D21/702				
6,312,349 B1 *	11/2001	Roberts	A63B 63/083				
				473/448				
6,338,686 B1 *	1/2002	King	A63B 71/0669				
				473/415				
6,447,409 B1 *	9/2002	Squibb	A63B 63/083				
				473/486				
D482,417 S *	11/2003	Oister	D21/313				
7,740,550 B1 *	6/2010	Kaufman	A63B 69/385				
				473/459				
D692,500 S *	10/2013	Max	D21/303				
D736,321 S *	8/2015	Shadle	D21/302				
D754,795 S *	4/2016	Kopytko	D21/303				
D773,570 S *	12/2016	Pasquale	D21/702				
D963,770 S *	9/2022	Zheng	D21/702				
11,731,019 B2 *	8/2023	Greiner	A63B 71/0036				
				473/483				
2002/0107093 A1 *	8/2002	Roll	A63B 63/083				
				473/483				
2002/0187865 A1 *	12/2002	Hehr	A63B 63/083				
				473/486				
2005/0215357 A1 *	9/2005	Guerzini	A63B 63/083				
				473/481				
2006/0293125 A1 *	12/2006	Nye	A63B 63/083				
				473/483				
2007/0167265 A1 *	7/2007	Connerley	A63B 63/083				
				473/485				
2007/0178994 A1 *	8/2007	White	A63B 63/083				
				473/481				
2007/0213148 A1 *	9/2007	Nye	A63B 63/083				
				473/485				
2008/0214333 A1 *	9/2008	Peery	A63B 63/083				
				473/483				
2010/0261559 A1 *	10/2010	Kaufman	A63B 69/385				
				473/459				
2010/0267496 A1 *	10/2010	Johnson	A63B 71/023				
				473/447				
2011/0089640 A1 *	4/2011	Pecherski	A63F 9/06				
				273/400				
2015/0182831 A1 *	7/2015	Lamascus	A63B 63/083				
				473/483				
2015/0265897 A1 *	9/2015	Gordon	A63B 63/083				
				473/447				
2019/0118055 A1 *	4/2019	Greiner	A63B 71/0036				
2019/0224545 A1 *	7/2019	Torgerson	A63B 63/007				
2023/0241471 A1 *	8/2023	Reed	A63B 63/083				
				473/483				
2023/0310960 A1 *	10/2023	Seitz	A63B 63/083				
				473/485				

* cited by examiner

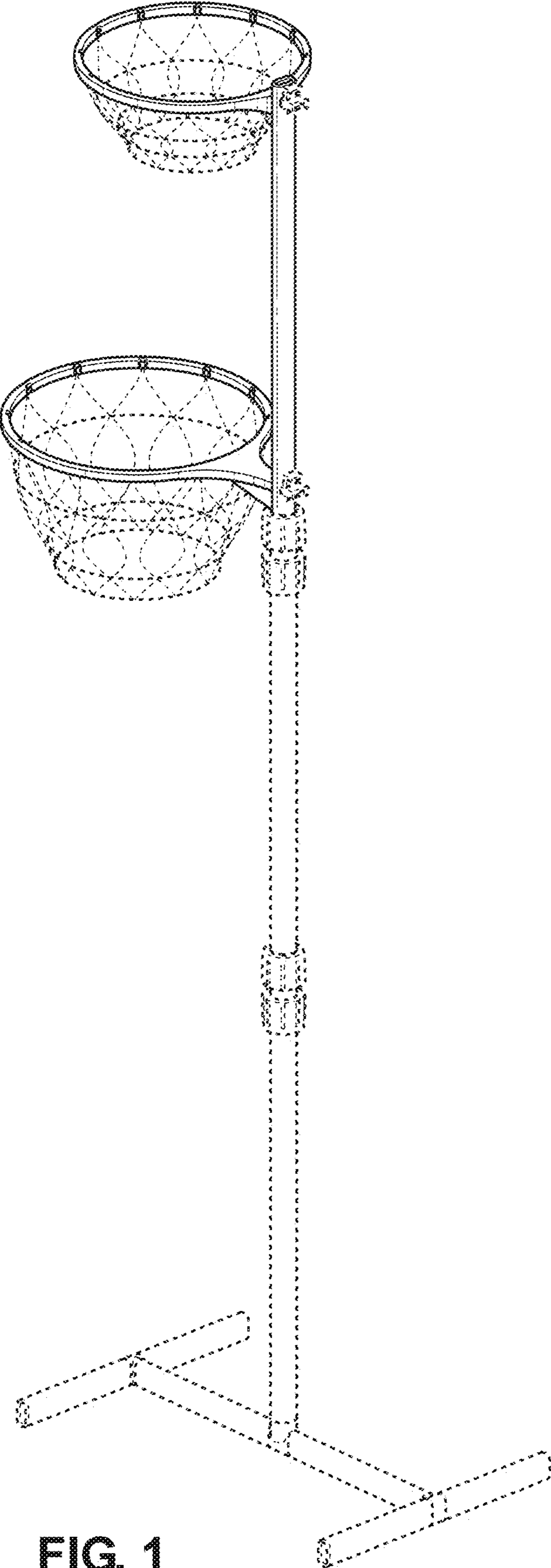


FIG. 1

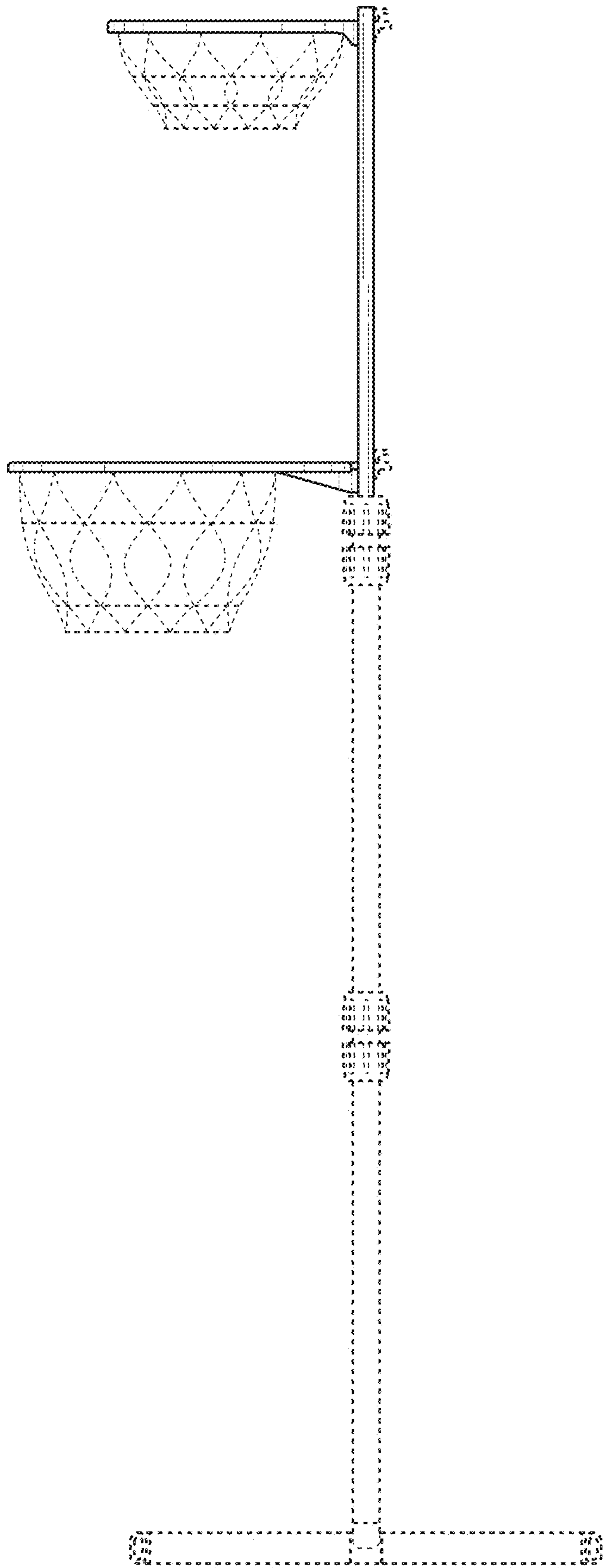


FIG. 2

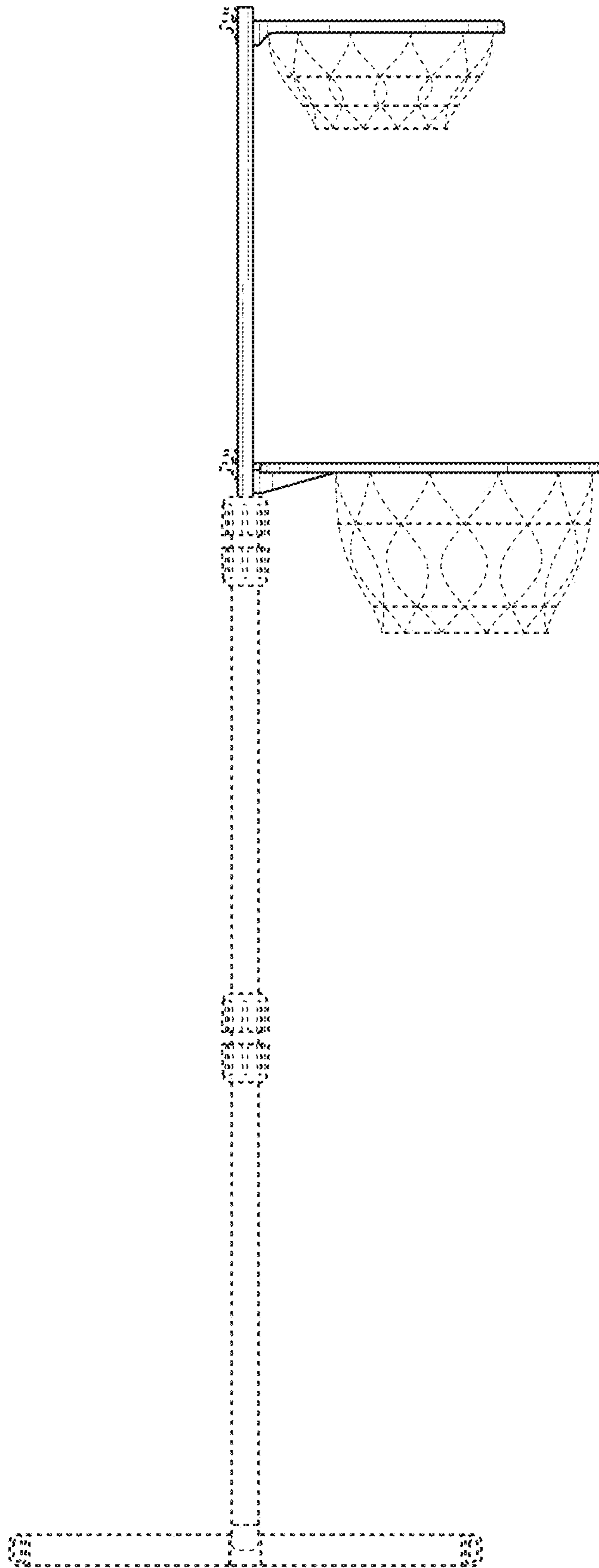


FIG. 3

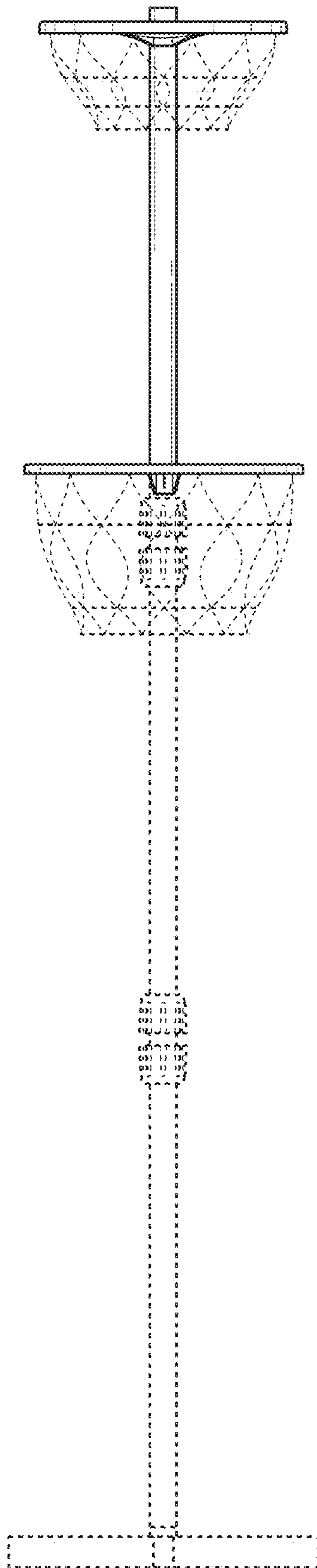


FIG. 4

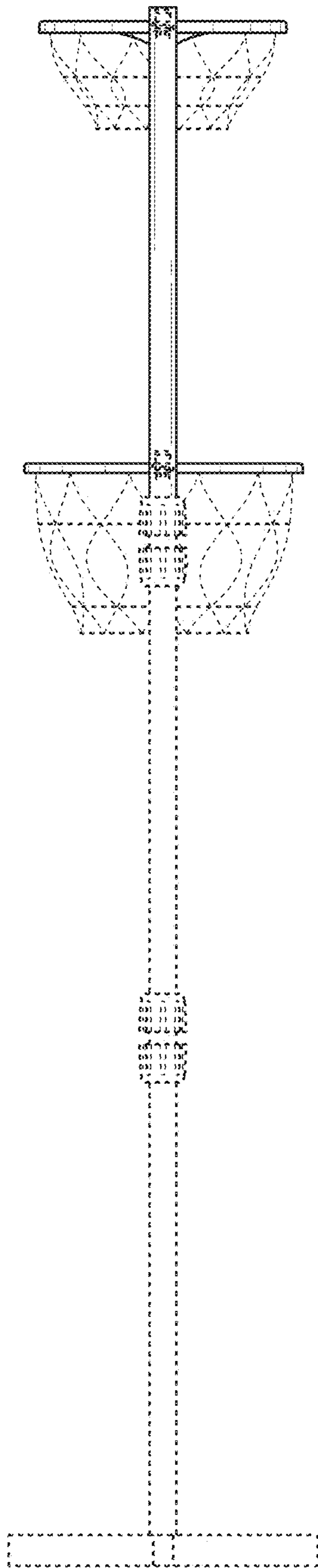


FIG. 5

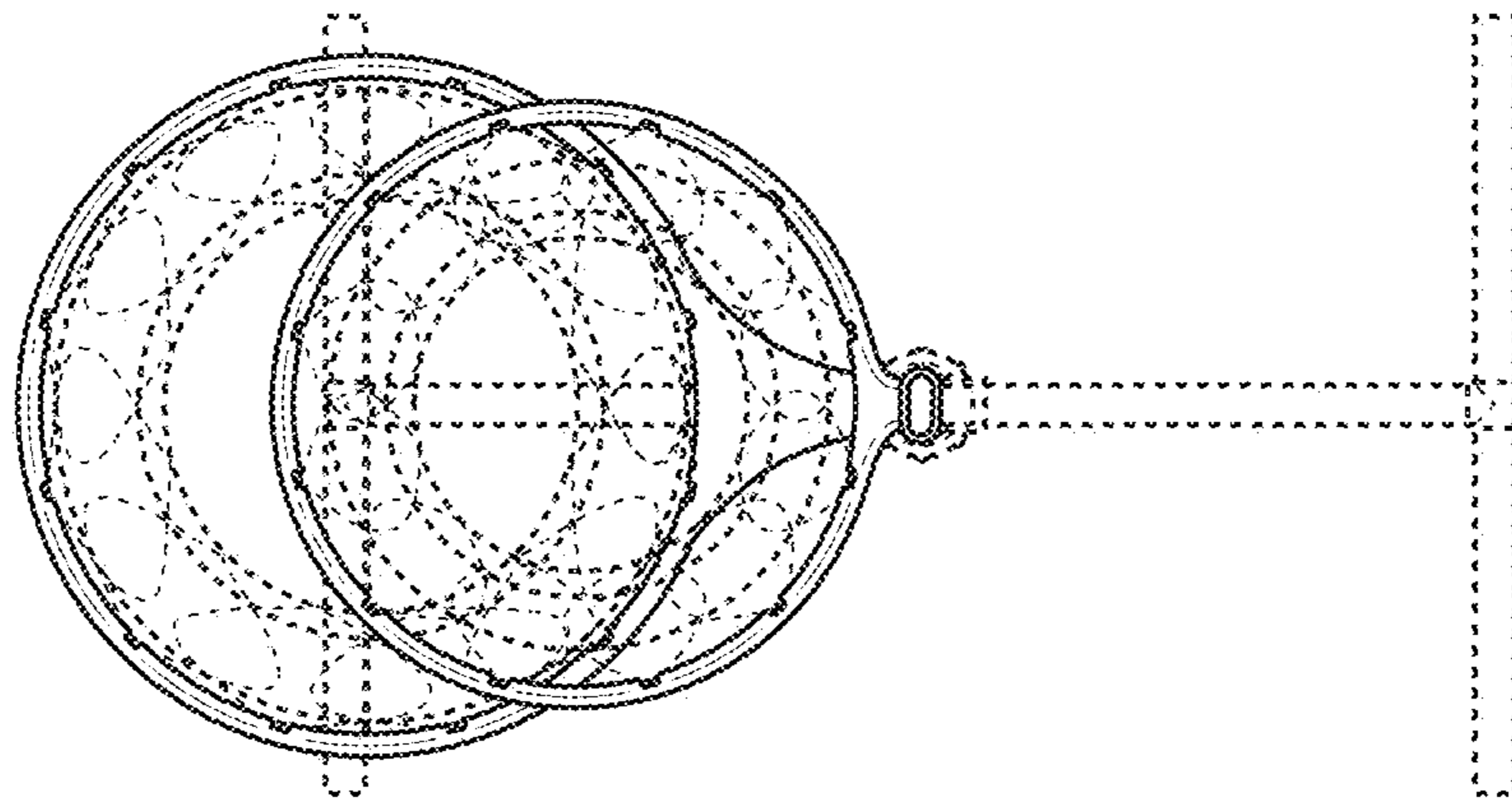


FIG. 6

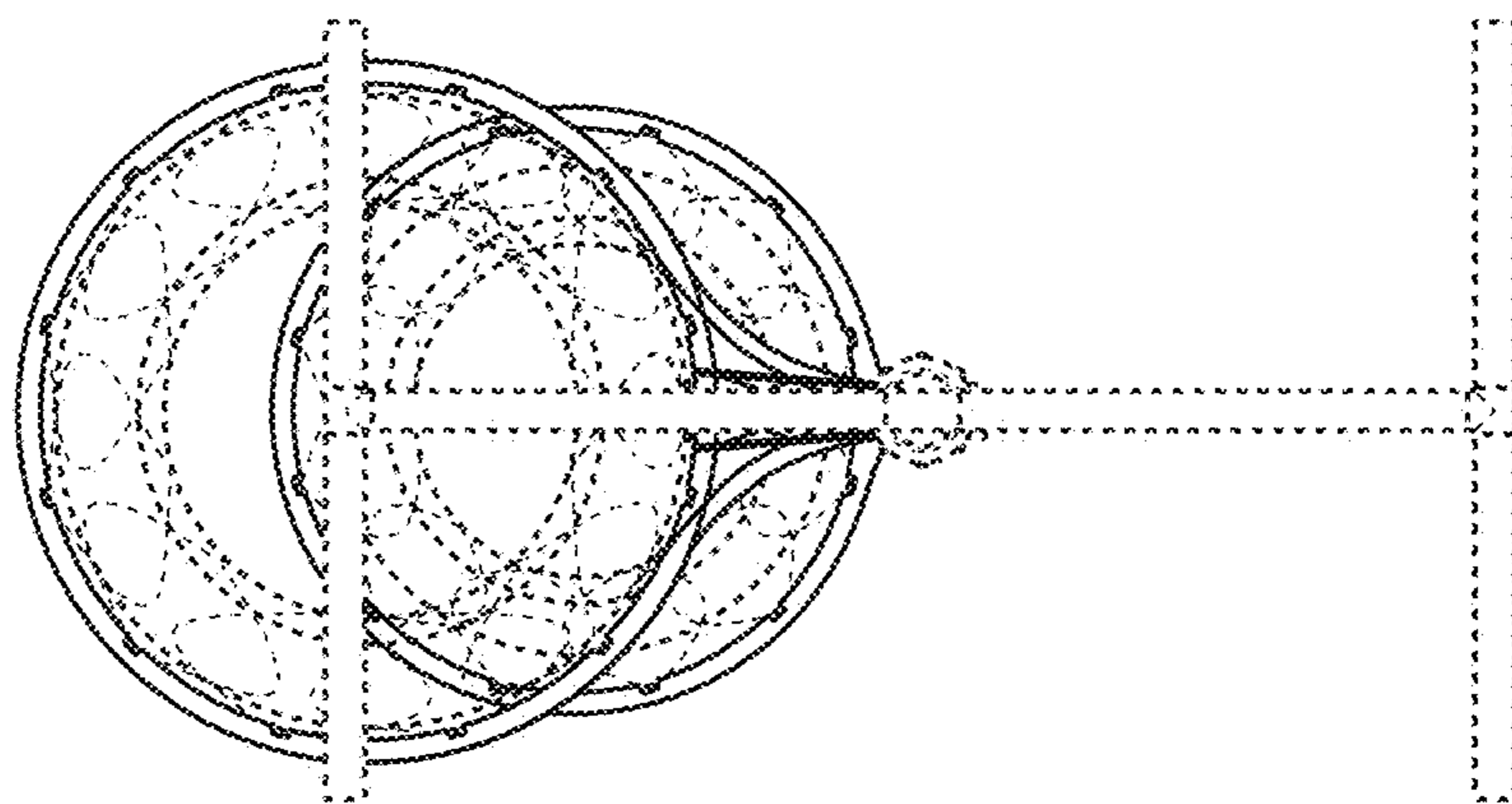


FIG. 7

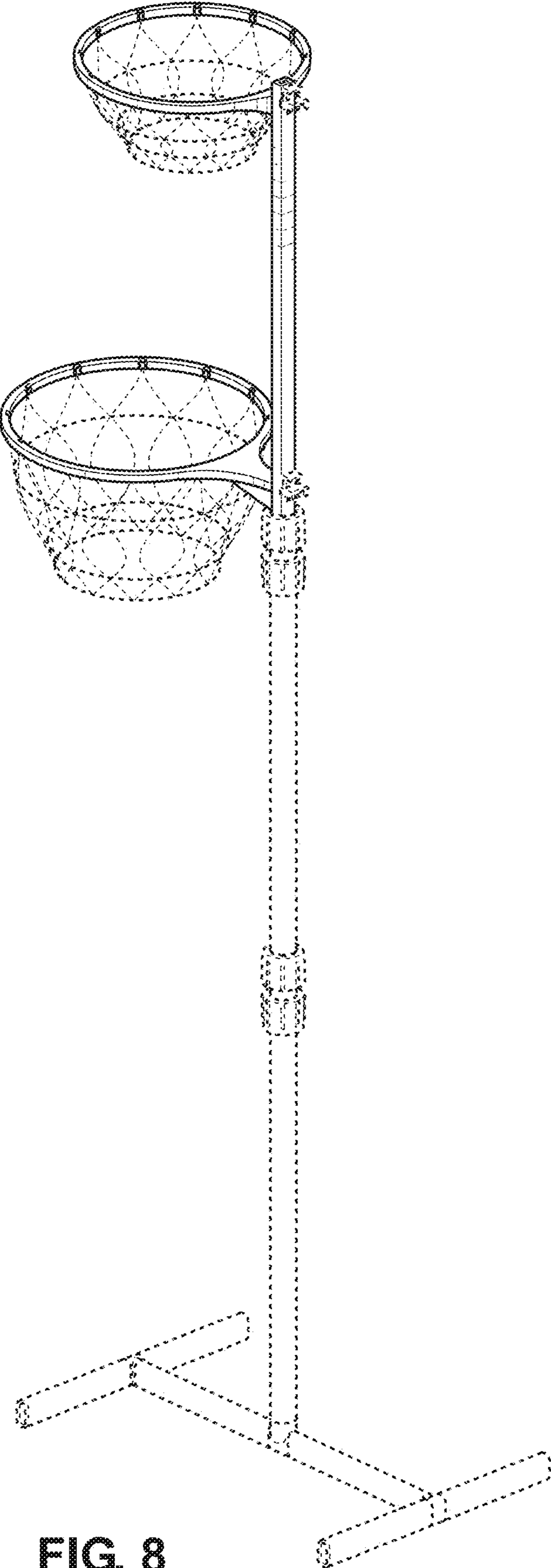


FIG. 8

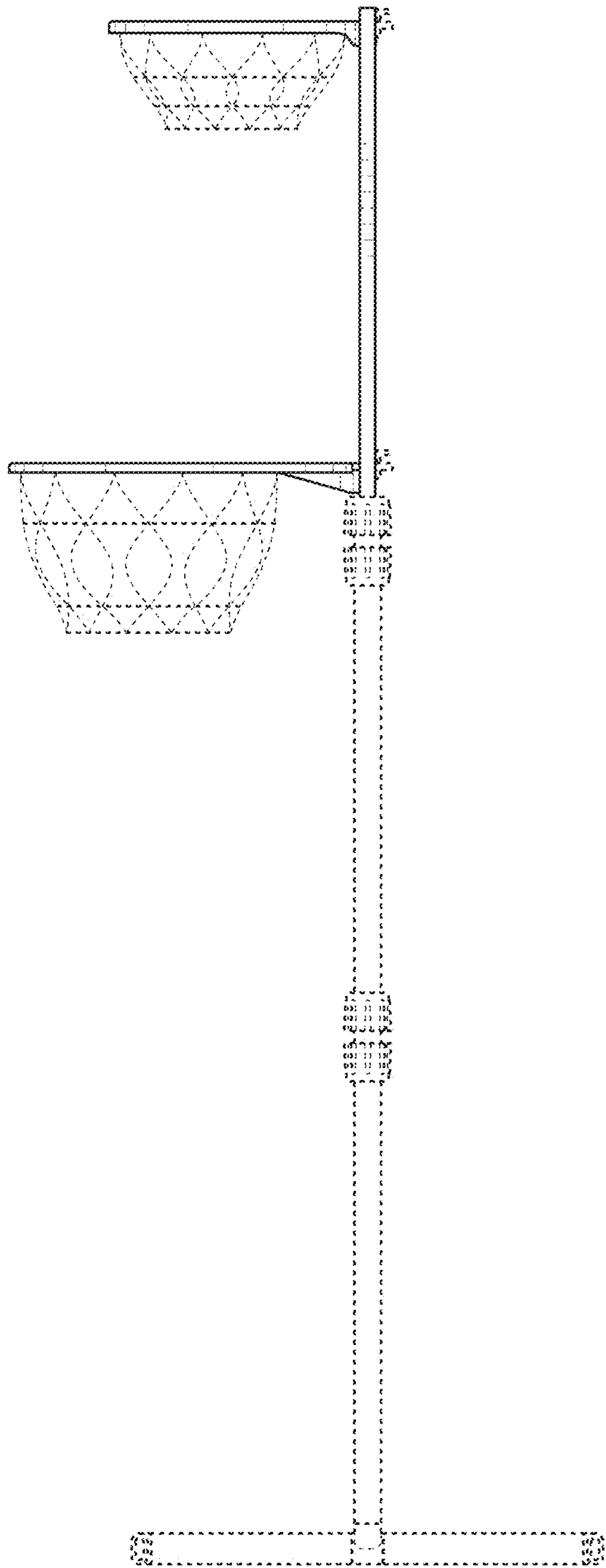


FIG. 9

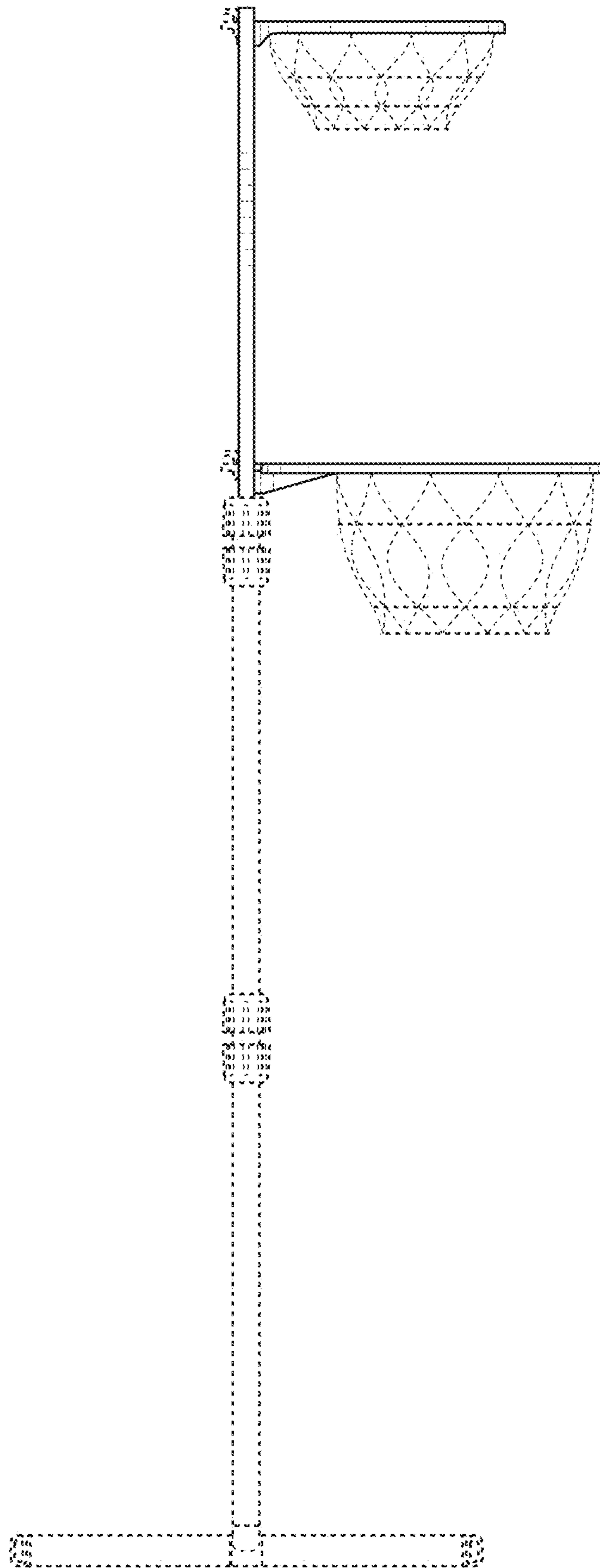


FIG. 10

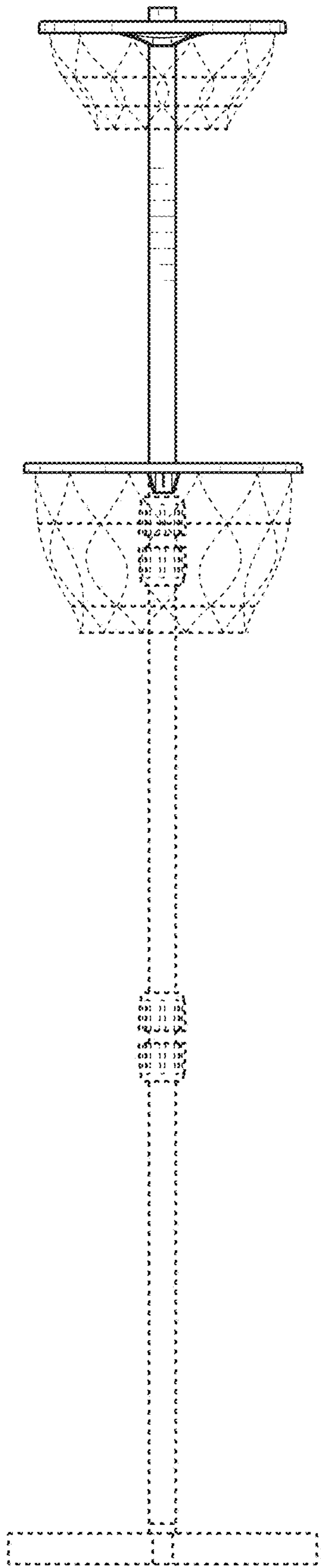


FIG. 11

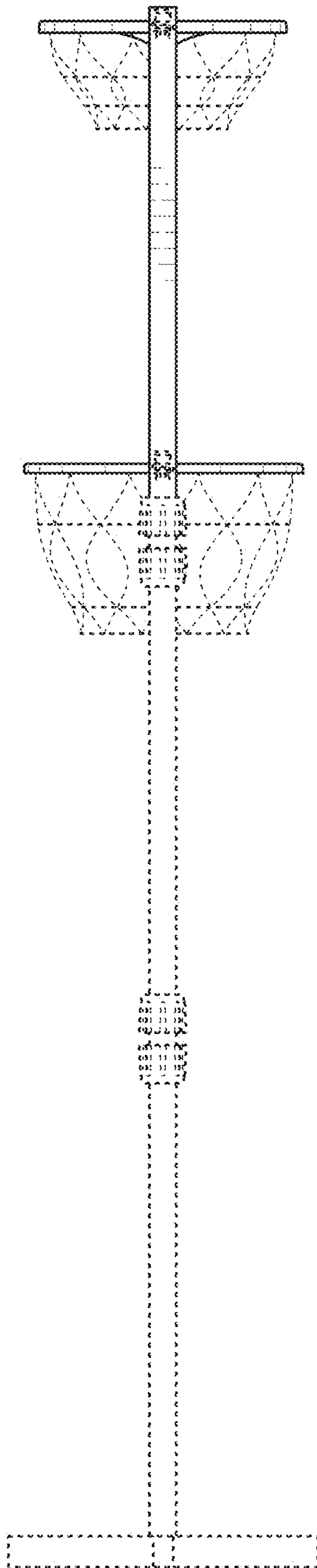


FIG. 12

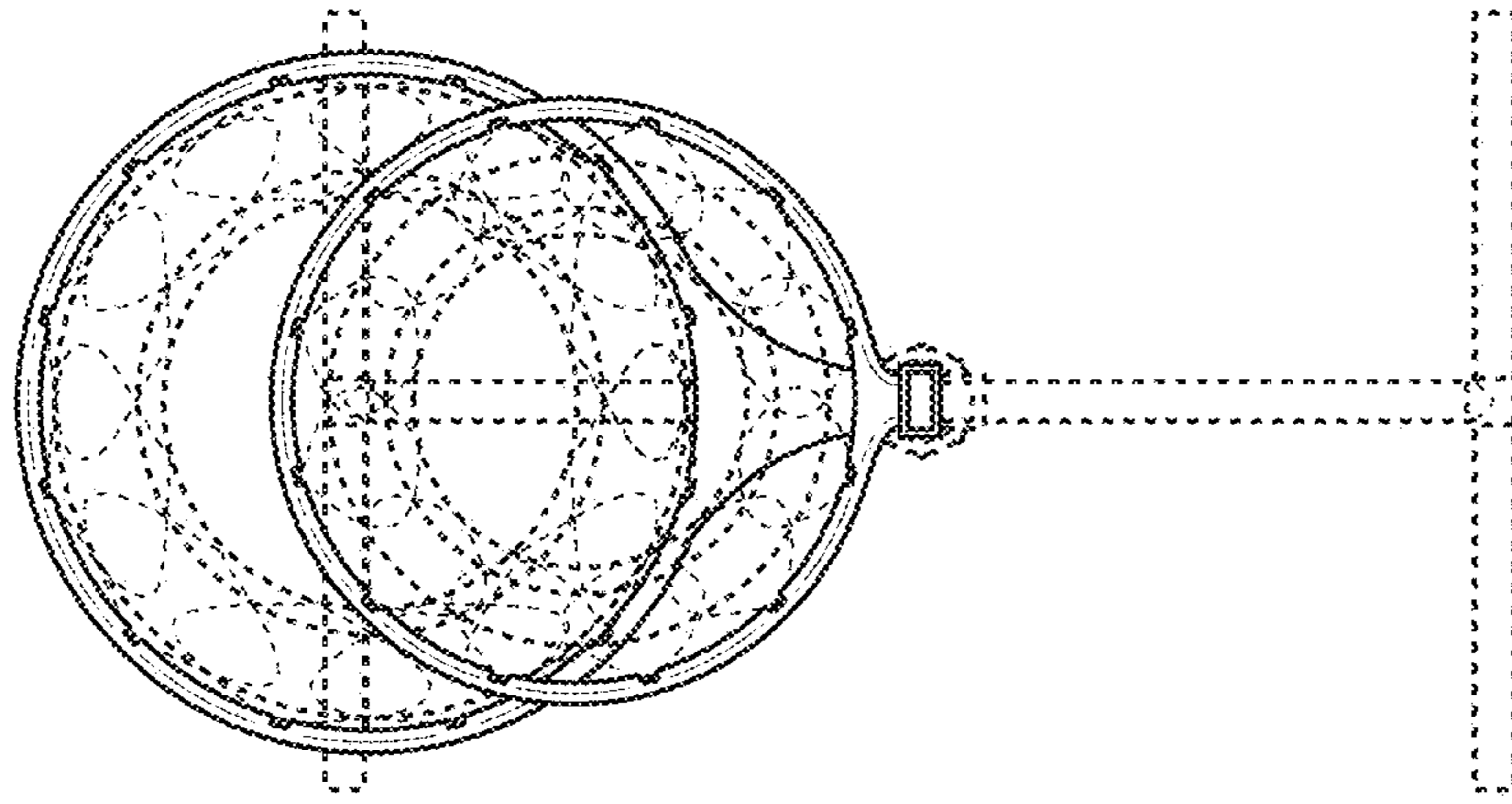


FIG. 13

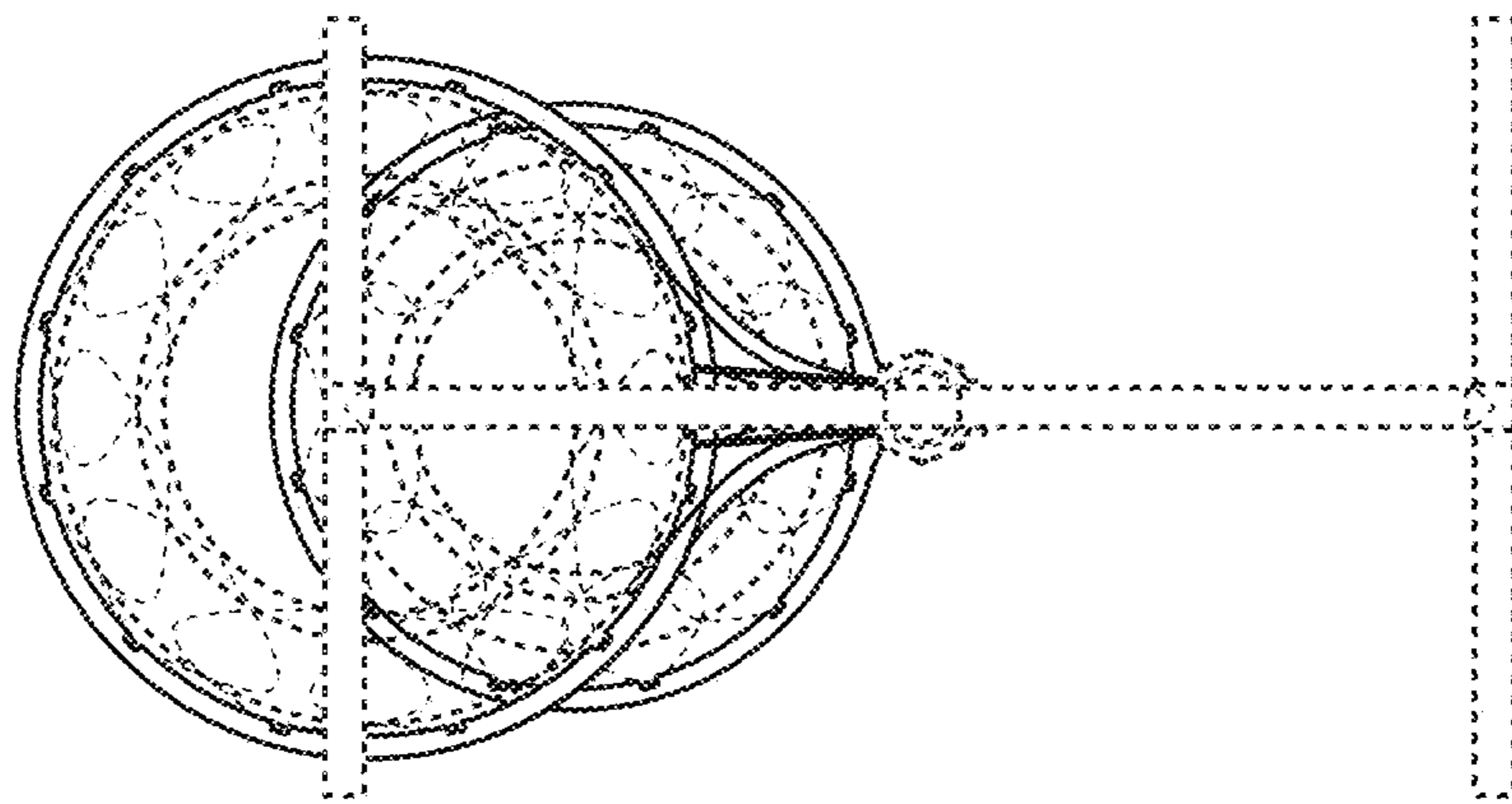


FIG. 14