



US0D1029897S

(12) **United States Design Patent**
Shimamoto et al.

(10) **Patent No.: US D1,029,897 S**

(45) **Date of Patent: ** Jun. 4, 2024**

- (54) **CUTTING TOOL BODY**
- (71) Applicant: **Sumitomo Electric Hardmetal Corp., Itami (JP)**
- (72) Inventors: **Yosuke Shimamoto, Itami (JP); Katsuya Nakakihara, Itami (JP); Naoki Matsuda, Itami (JP)**
- (73) Assignee: **SUMITOMO ELECTRIC HARDMETAL CORP., Itami (JP)**
- (**) Term: **15 Years**
- (21) Appl. No.: **29/827,893**
- (22) Filed: **Feb. 23, 2022**
- (30) **Foreign Application Priority Data**

D710,411	S *	8/2014	Matsubara	D15/139
9,050,667	B2 *	6/2015	Park	B23C 5/22
D760,307	S *	6/2016	Koike	D15/139
9,409,240	B2 *	8/2016	Matsubara	B23C 5/2213
9,656,334	B2 *	5/2017	Saji	B23C 5/2213
D822,079	S *	7/2018	Lee	B23C 5/202
					D15/139
10,350,688	B2 *	7/2019	Rue	B23C 5/22
10,442,016	B2 *	10/2019	Yamamoto	B23C 5/202
11,059,112	B2 *	7/2021	Kinoshita	B23C 5/2204
11,383,310	B2 *	7/2022	Aso	B23C 5/202
11,534,842	B2 *	12/2022	Dufour	B23C 5/2213
2006/0245837	A1 *	11/2006	Dufour	B23C 5/06
					407/48
2014/0348600	A1 *	11/2014	Matsubara	B23C 5/06
					407/64

* cited by examiner

Primary Examiner — Patricia A Palasik

(74) *Attorney, Agent, or Firm* — XSENSUS LLP

- Aug. 26, 2021 (JP) 2021-018401 D
- (51) **LOC (14) Cl.** **15-09**
- (52) **U.S. Cl.**
USPC **D15/139**
- (58) **Field of Classification Search**
USPC D8/20, 70, 71; D15/21, 122, 126, 131, D15/138, 139, 140
CPC B23B 27/14; B23B 27/22; B23B 27/045; B23B 27/141; B23B 27/143; B23B 2200/00; B23B 2200/321; B23C 5/08; B23C 2200/0494; Y10T 407/235
See application file for complete search history.

(57) **CLAIM**

The ornamental design for a cutting tool body, as shown and described.

DESCRIPTION

FIG. 1 is a front view of a cutting tool body in accordance with an embodiment of the present design;
 FIG. 2 is a rear view thereof;
 FIG. 3 is a right side view thereof;
 FIG. 4 is a left side view thereof;
 FIG. 5 is a top view thereof;
 FIG. 6 is a bottom view thereof;
 FIG. 7 is a perspective view thereof;
 FIG. 8 is an enlarged view of portion 8 of FIGS. 7; and,
 FIG. 9 shows a cutting tool body in an environment of use thereof.

The broken lines shown in the drawings represent portions of the cutting tool body that form no part of the claimed design.

1 Claim, 9 Drawing Sheets

- (56) **References Cited**
U.S. PATENT DOCUMENTS
- 6,164,878 A * 12/2000 Satran B23C 5/2213
407/103
- 7,722,297 B2 * 5/2010 Dufour B23C 5/06
407/66
- D635,164 S * 3/2011 Nelson D15/139
- D708,237 S * 7/2014 Matsubara D15/139

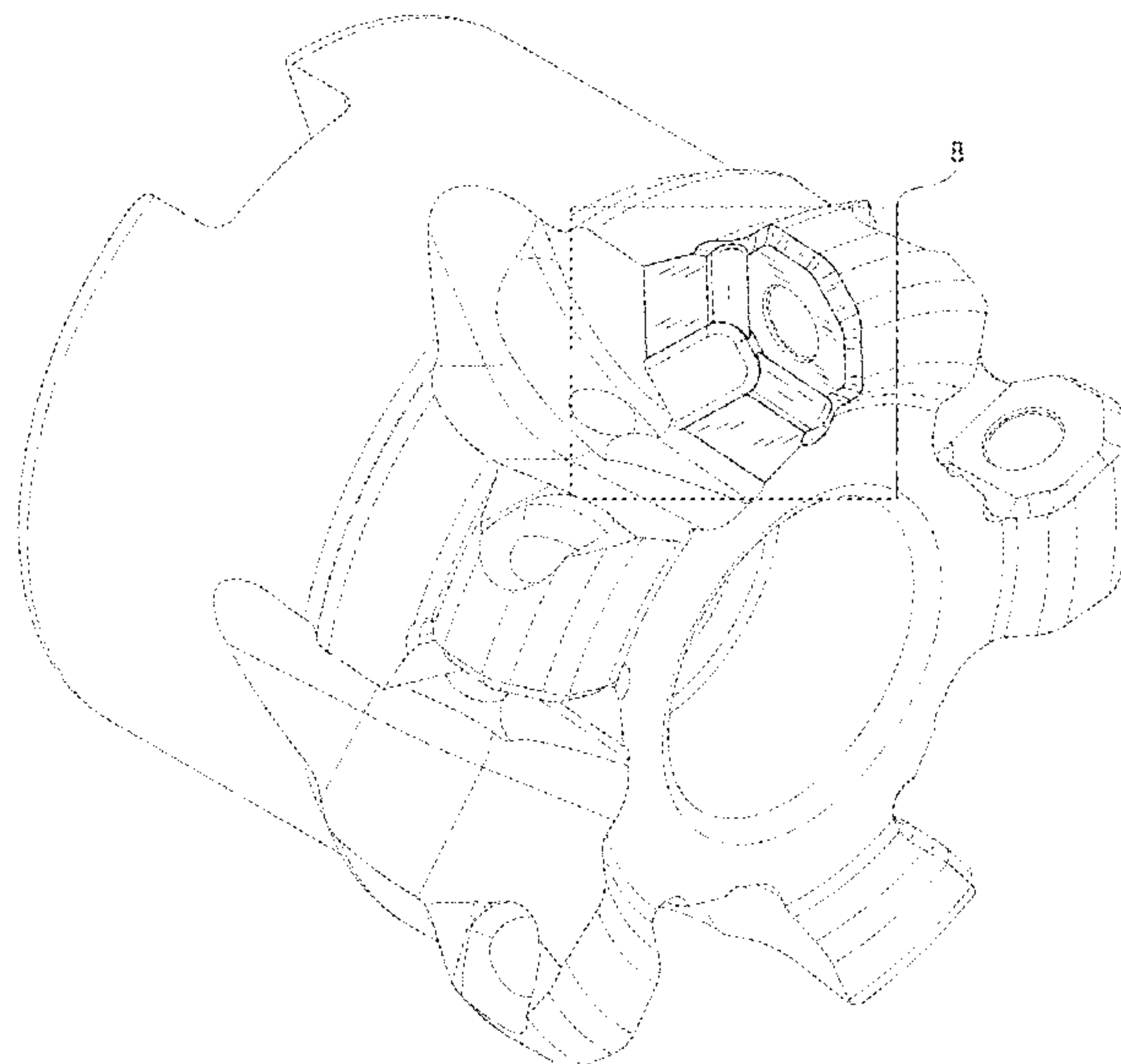


FIG.1

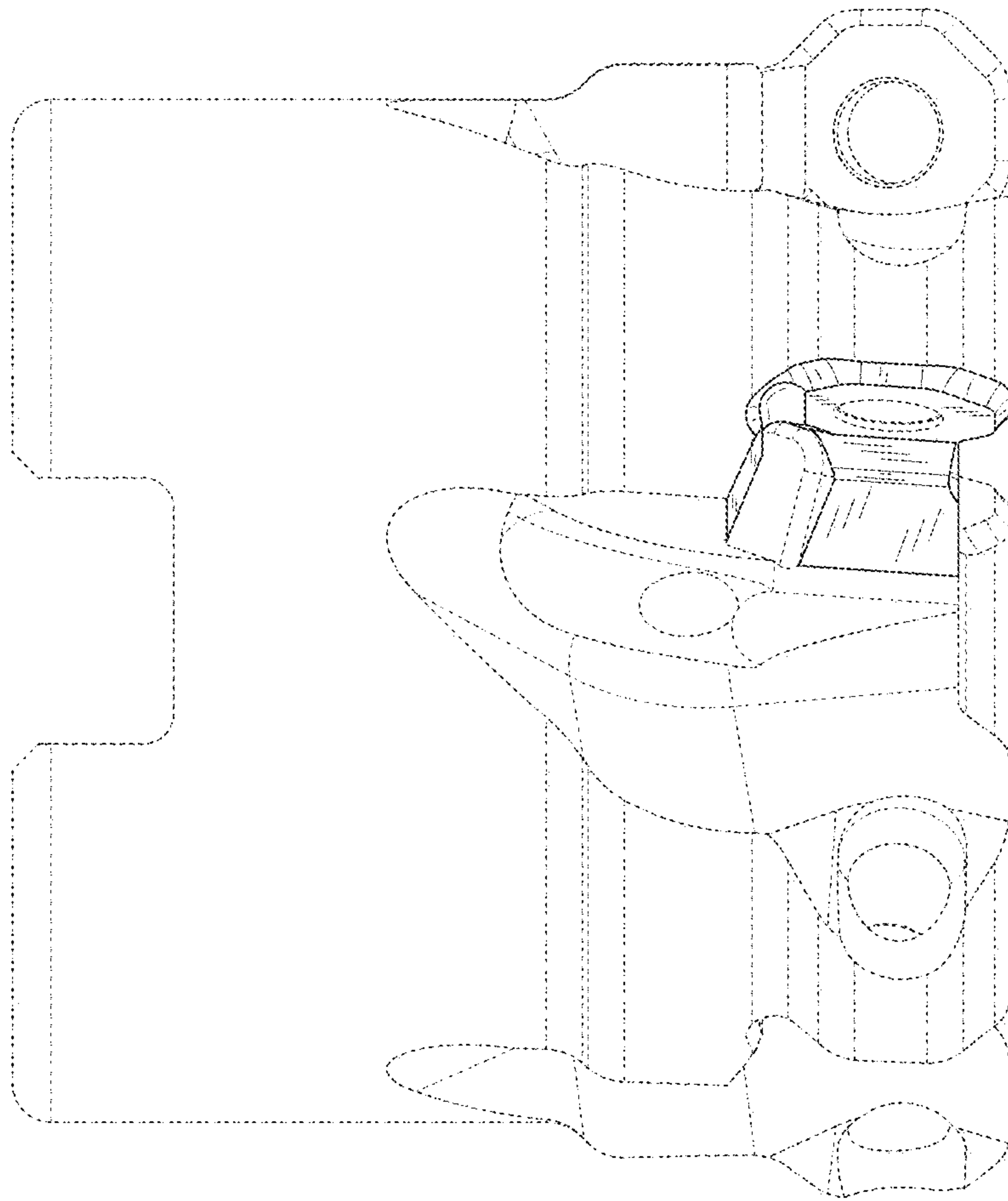


FIG.2

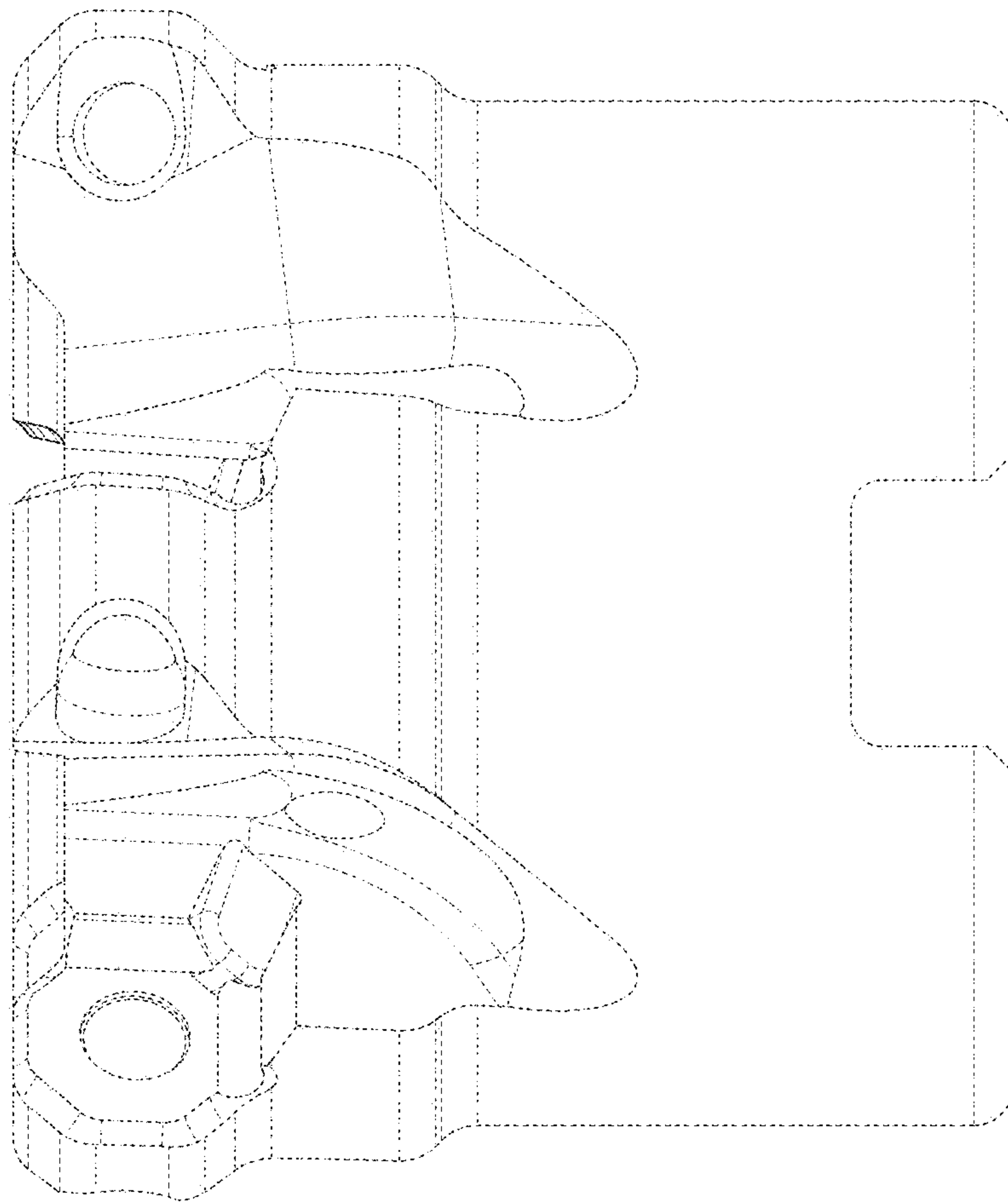


FIG.3

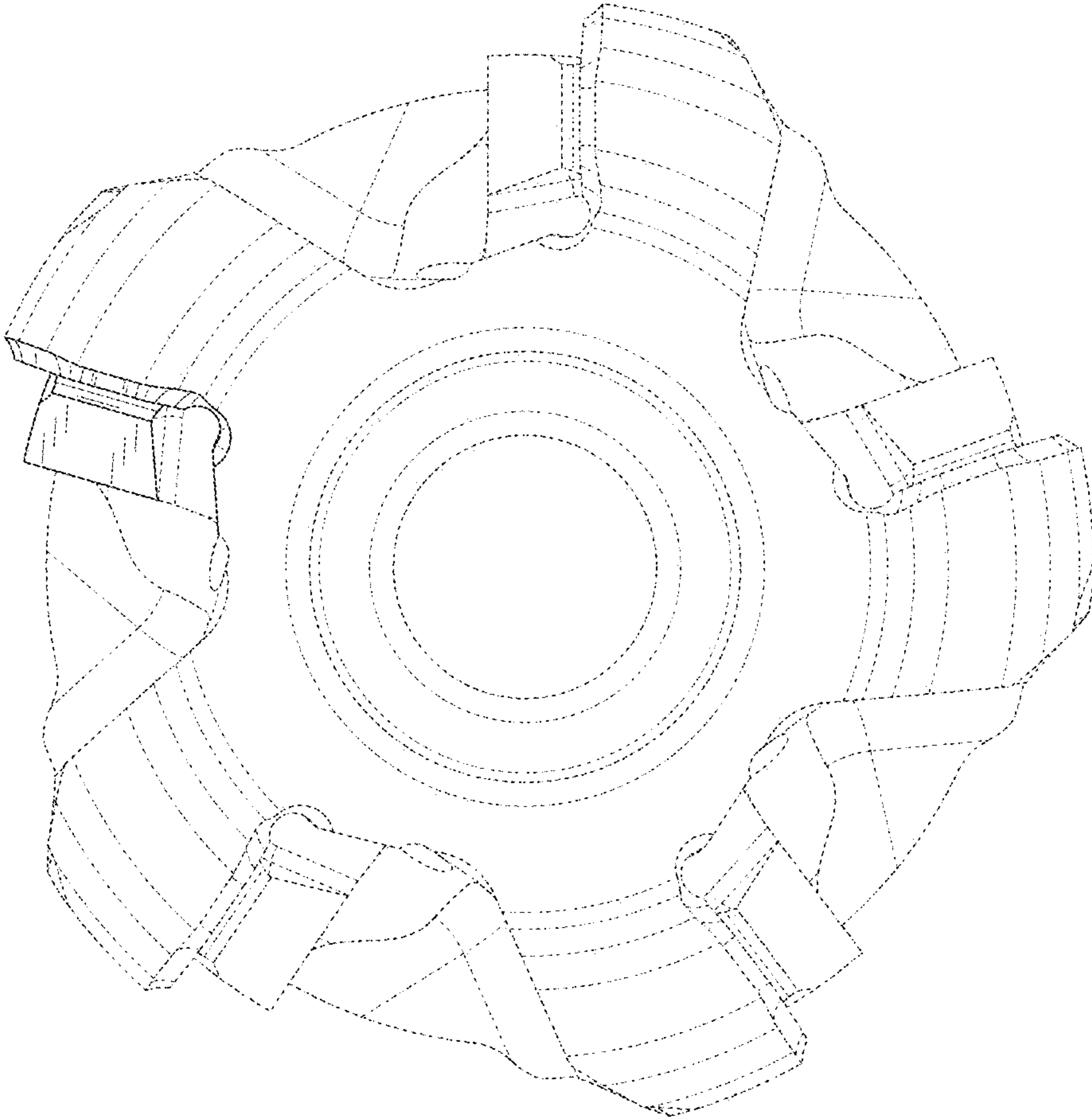


FIG.4

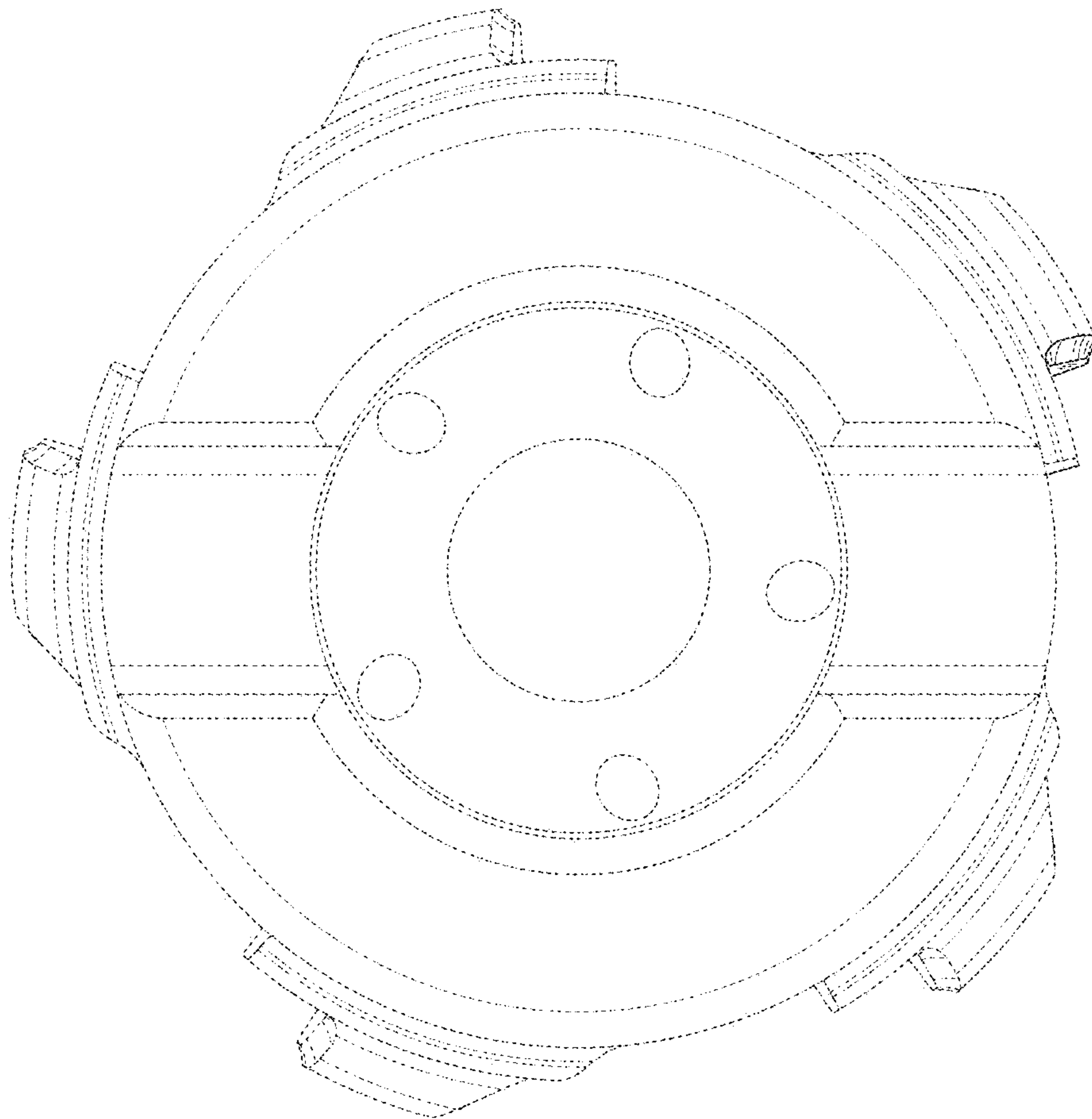


FIG.5

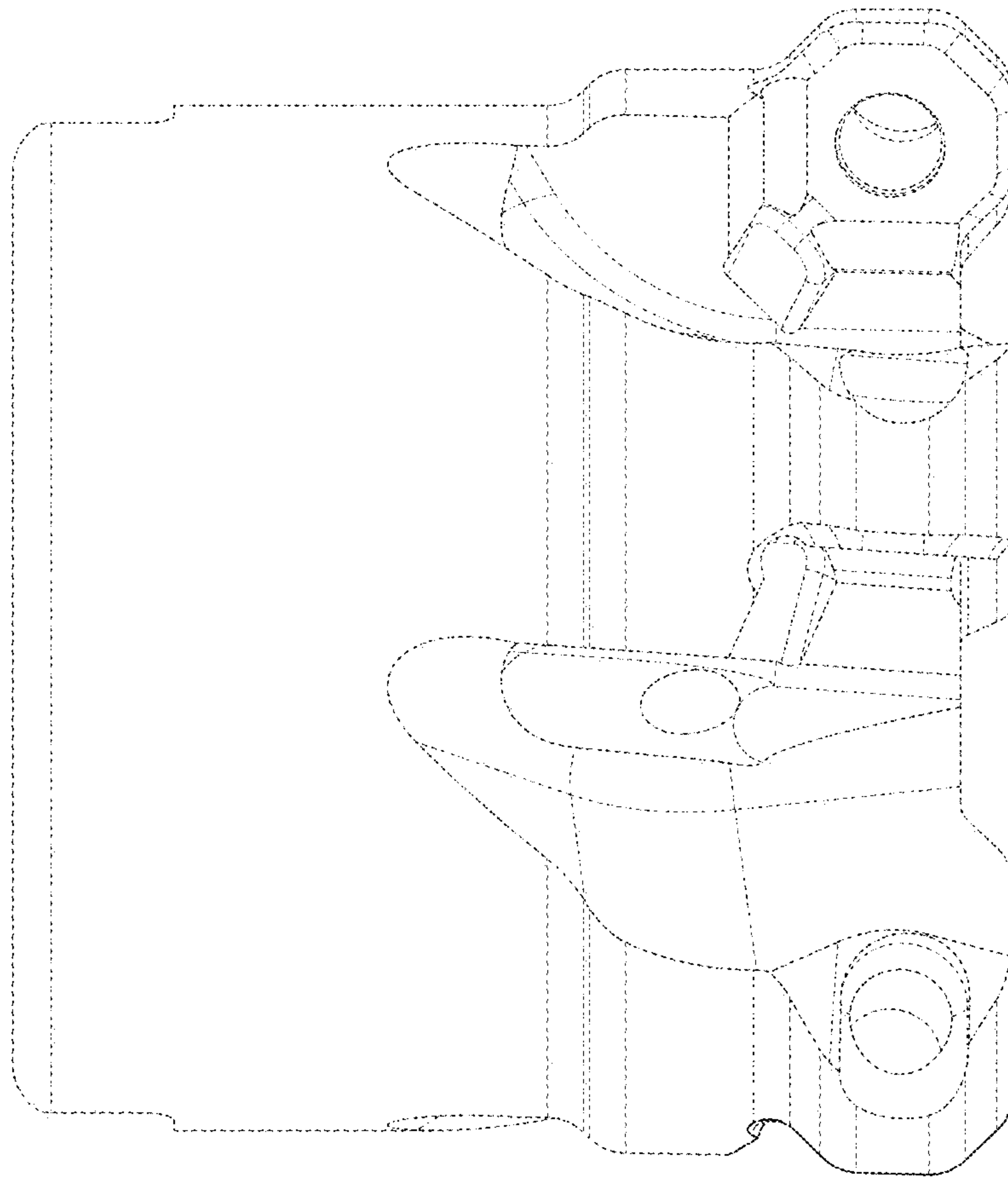


FIG.6

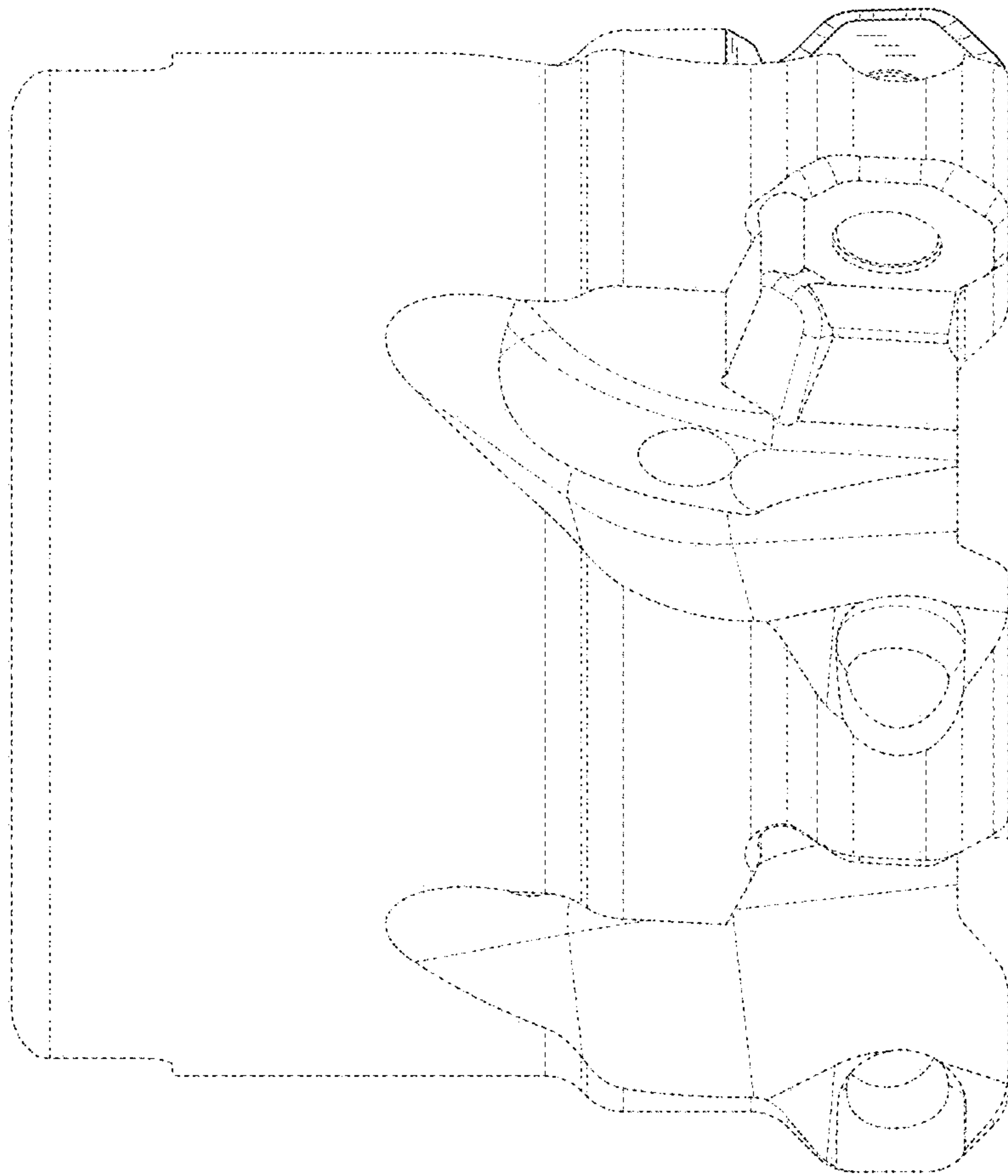


FIG.7

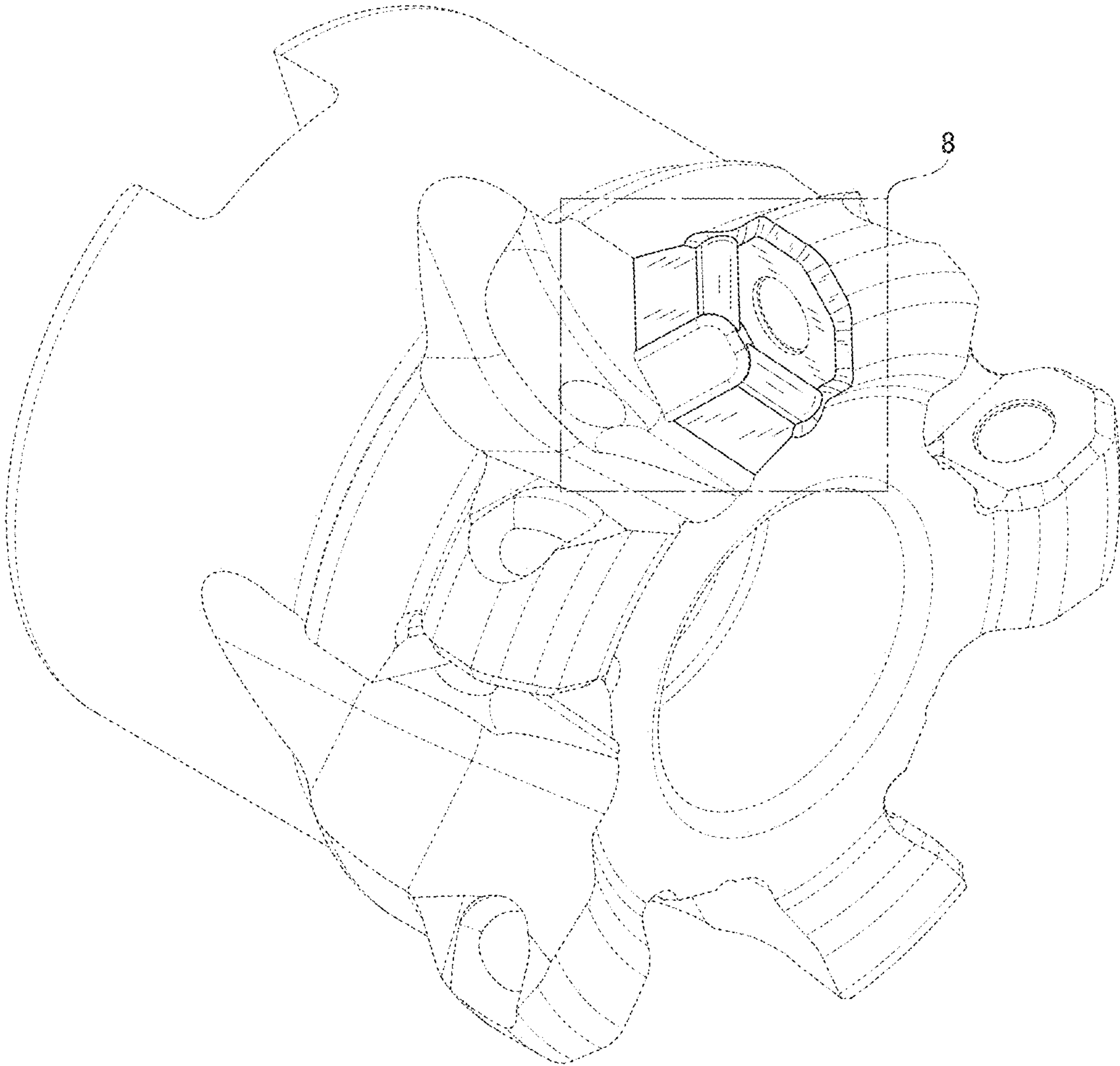


FIG.8

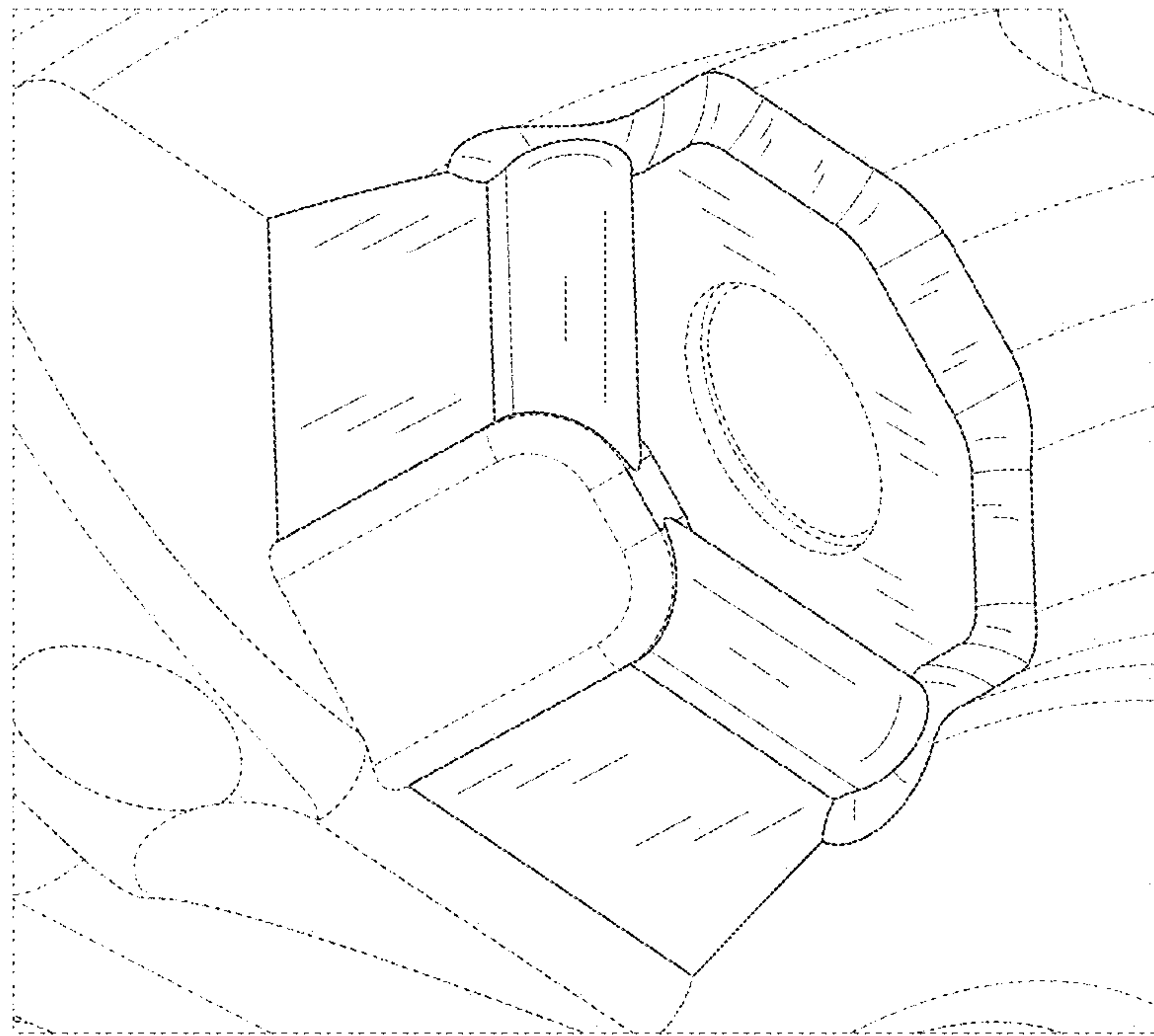


FIG.9

