



US0D1029883S

(12) **United States Design Patent** (10) **Patent No.:** **US D1,029,883 S**
Waldron et al. (45) **Date of Patent:** **** Jun. 4, 2024**

(54) **DRAIN PUMP**
(71) Applicant: **Liberty Pumps, Inc.**, Bergen, NY (US)
(72) Inventors: **Randall D. Waldron**, North Chili, NY (US); **Timothy D. McCrossen**, Rochester, NY (US); **Clement A. Pin, III**, Rochester, NY (US); **Jason A. Pennell**, Rochester, NY (US)

D601,590 S * 10/2009 Burnham D15/7
8,235,316 B1 * 8/2012 Heinsler B02C 18/0092
241/46.017
D786,937 S * 5/2017 Nelson D15/7
D878,423 S * 3/2020 Andersson D15/7
D930,708 S * 9/2021 Bayless D15/7
D931,339 S * 9/2021 Wang D15/7
11,384,757 B2 * 7/2022 McCrossen F04D 29/62
11,905,695 B2 * 2/2024 Ulliman E03D 1/025

(Continued)

(73) Assignee: **Liberty Pumps, Inc.**, Bergen, NY (US)
(**) Term: **15 Years**

(21) Appl. No.: **29/797,214**

(22) Filed: **Jun. 29, 2021**

(51) **LOC (14) Cl.** **15-02**

(52) **U.S. Cl.**
USPC **D15/7**

(58) **Field of Classification Search**
USPC D13/103, 107; D15/7-9; D23/210
CPC F04B 43/00; F04B 53/00; F04B 53/92;
F04B 1/005; F04B 25/00; F04B 35/00;
F04B 37/00; F04B 39/00; F04B 27/00;
F04B 43/1269; F04B 43/1276; F04B
43/08; F04B 45/08; F04B 17/03; F04B
35/04; E03B 5/00; B25B 21/02; B60S
5/04; B60S 5/046; B29C 73/00; F24F
13/222; F24F 2140/30; F04D 29/64
See application file for complete search history.

(56) **References Cited**

U.S. PATENT DOCUMENTS

D217,399 S * 4/1970 Whitney D15/7
D341,450 S * 11/1993 Tinius D32/15
D352,947 S * 11/1994 Colin D15/7
6,343,752 B1 * 2/2002 Sleasman E03F 5/22
241/46.017
D499,113 S * 11/2004 Murayama D15/7
D588,160 S * 3/2009 Beale D15/7

OTHER PUBLICATIONS

Saniflo, Saniflo Saniswift Drain Pump—Residential, (first available Nov. 25, 2009), Amazon.com, URL:<<https://www.amazon.com/SANIFLO-Saniswift-Drain-Pump-Residential/dp/B002BWRJZY>> (Year: 2009).*

(Continued)

Primary Examiner — Calvin E Vansant
Assistant Examiner — Mark T. Philipps
(74) *Attorney, Agent, or Firm* — John M. Hammond;
Patent Innovations LLC

(57) **CLAIM**

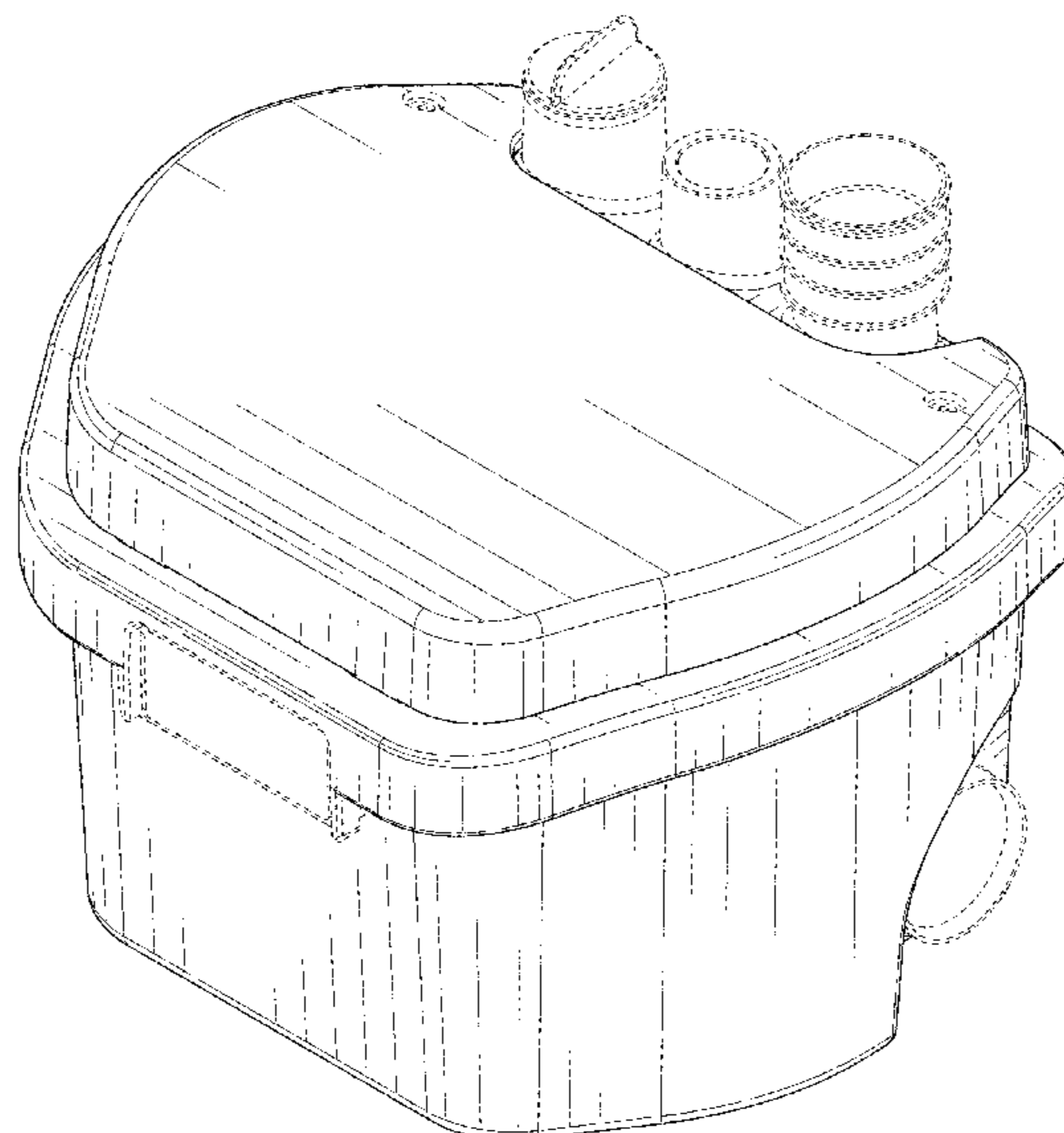
The ornamental design for a drain pump, as shown and described.

DESCRIPTION

FIG. 1 is a perspective view of the top, front and right side of the drain pump;
FIG. 2 is a front elevation view of the drain pump;
FIG. 3 is a rear elevation view of the drain pump;
FIG. 4 is a left side elevation view of the drain pump;
FIG. 5 is a right side elevation view of the drain pump;
FIG. 6 is a top plan view of the drain pump; and,
FIG. 7 is a bottom view looking upwardly at the drain pump from below.

The broken lines shown in the drawings represent portions of the drain pump that form no part of the claimed design.

1 Claim, 4 Drawing Sheets



(56)

References Cited

U.S. PATENT DOCUMENTS

2010/0322756 A1* 12/2010 Schmidt, P.E. E03F 5/22
415/121.1
2023/0228265 A1* 7/2023 Saich F04B 17/03
417/360

OTHER PUBLICATIONS

Saniflo, Sanimarin Electric Marine Drain Pump (24V)—#077, (first available May 4, 2017), Amazon.com, URL:<<https://www.amazon.com/dp/B072F32BF8/>> (Year: 2017).*

Liberty Pumps, Model 406 Compact Drain Pump, (2021), retrieved (Apr. 9, 2024), Liberty Pumps website, URL:<https://www.libertypumps.com/Portals/0/Files/Sales%20Literature/Model_406.pdf> (Year: 2021).*

* cited by examiner

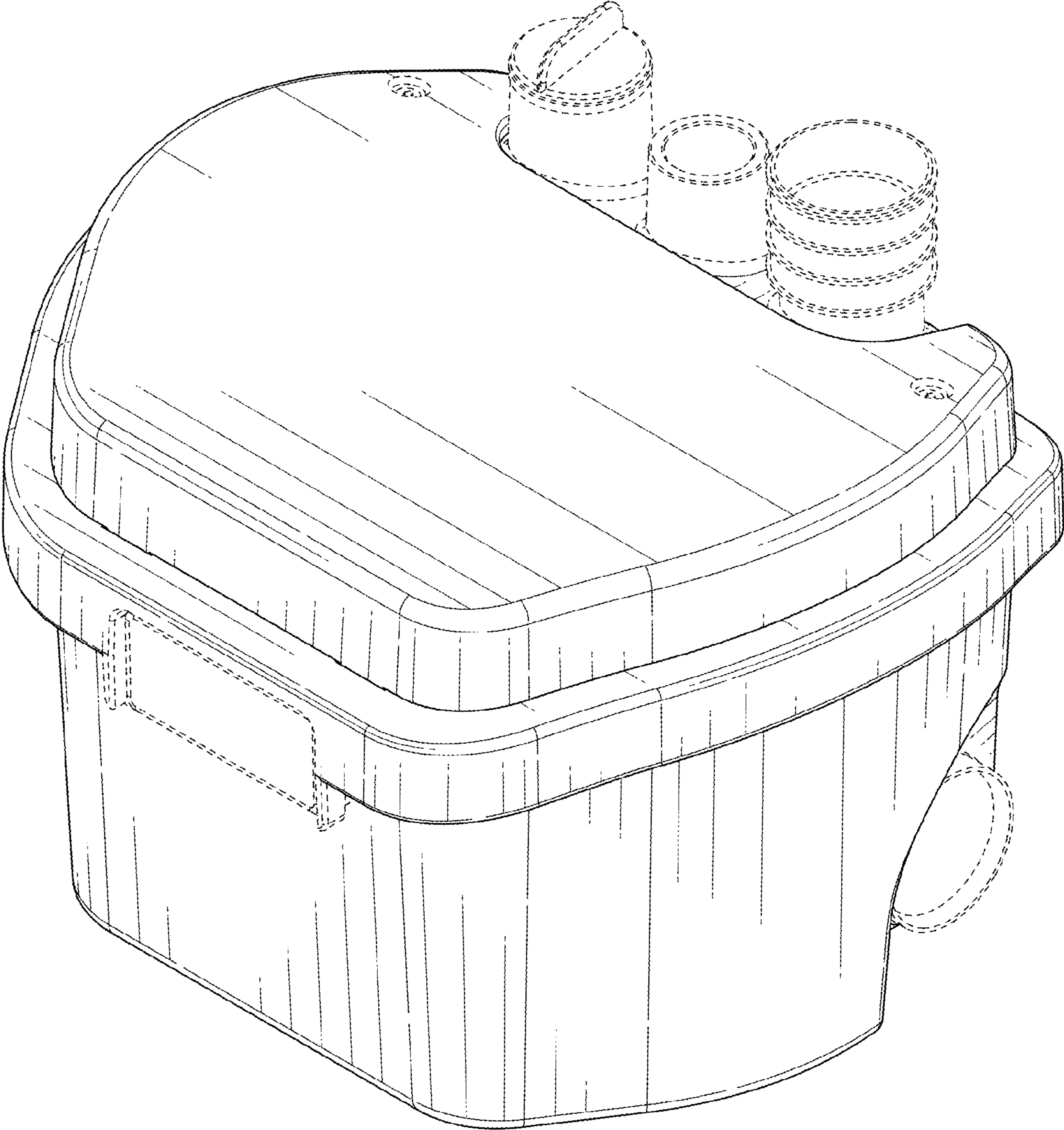


FIG. 1

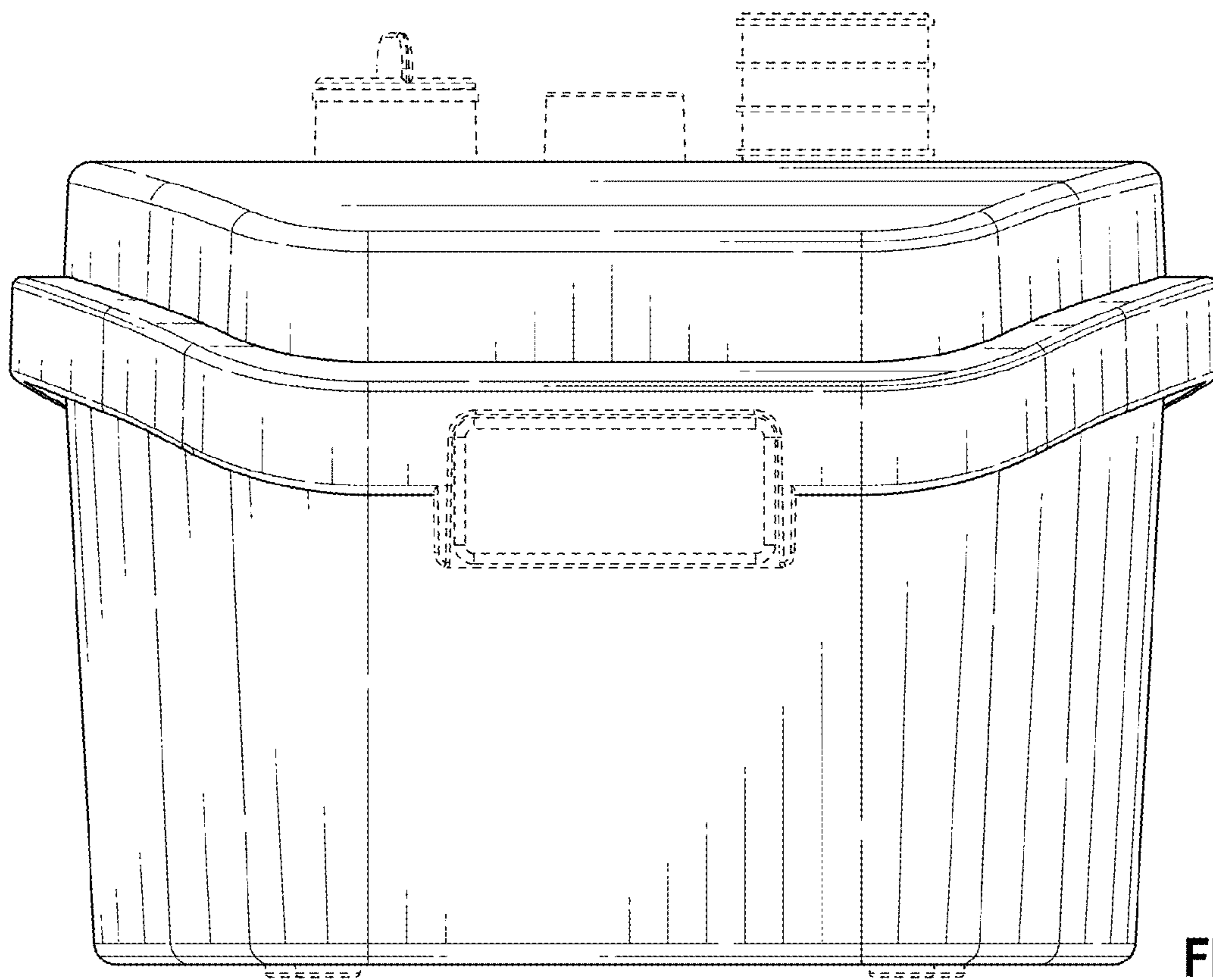


FIG. 2

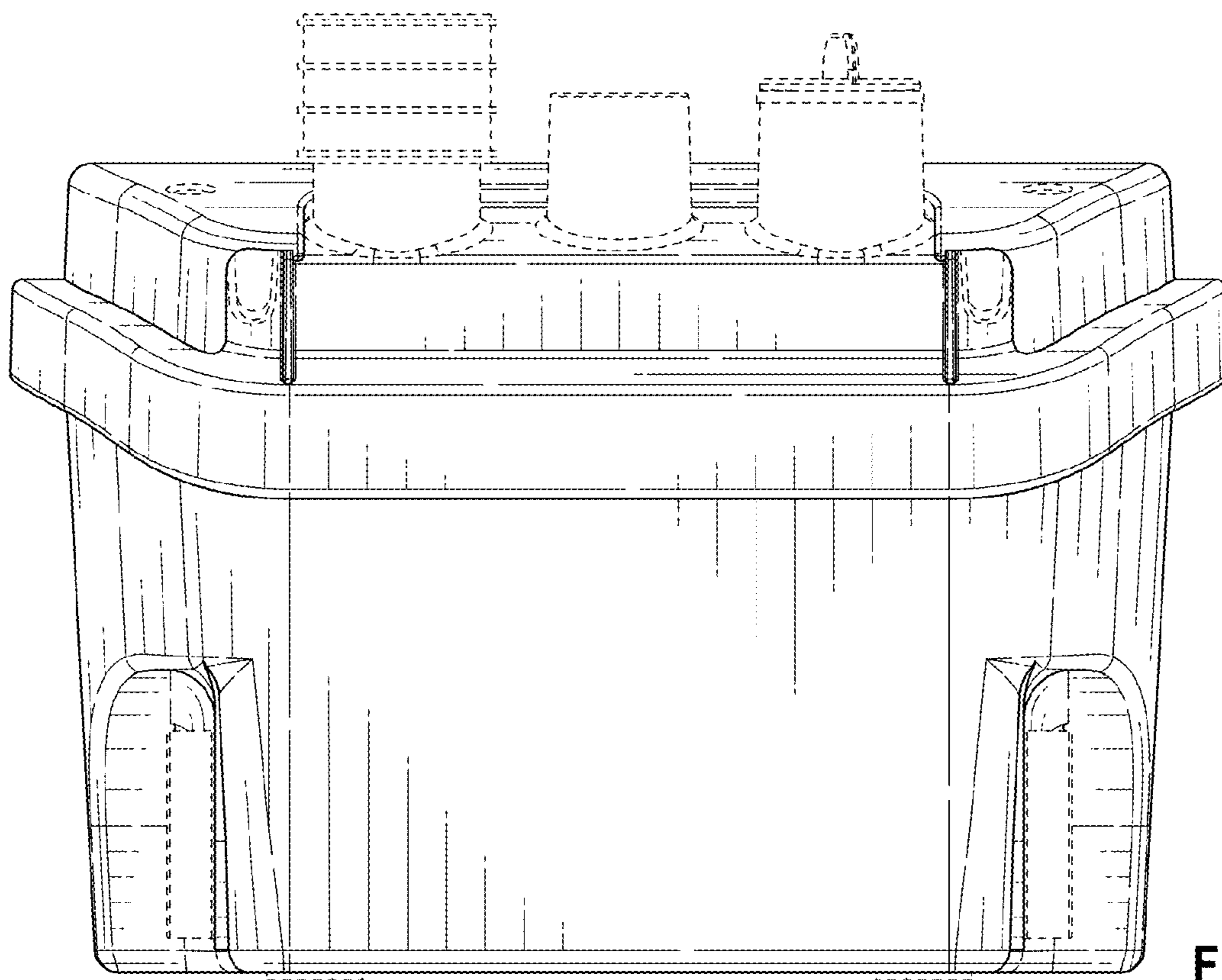


FIG. 3

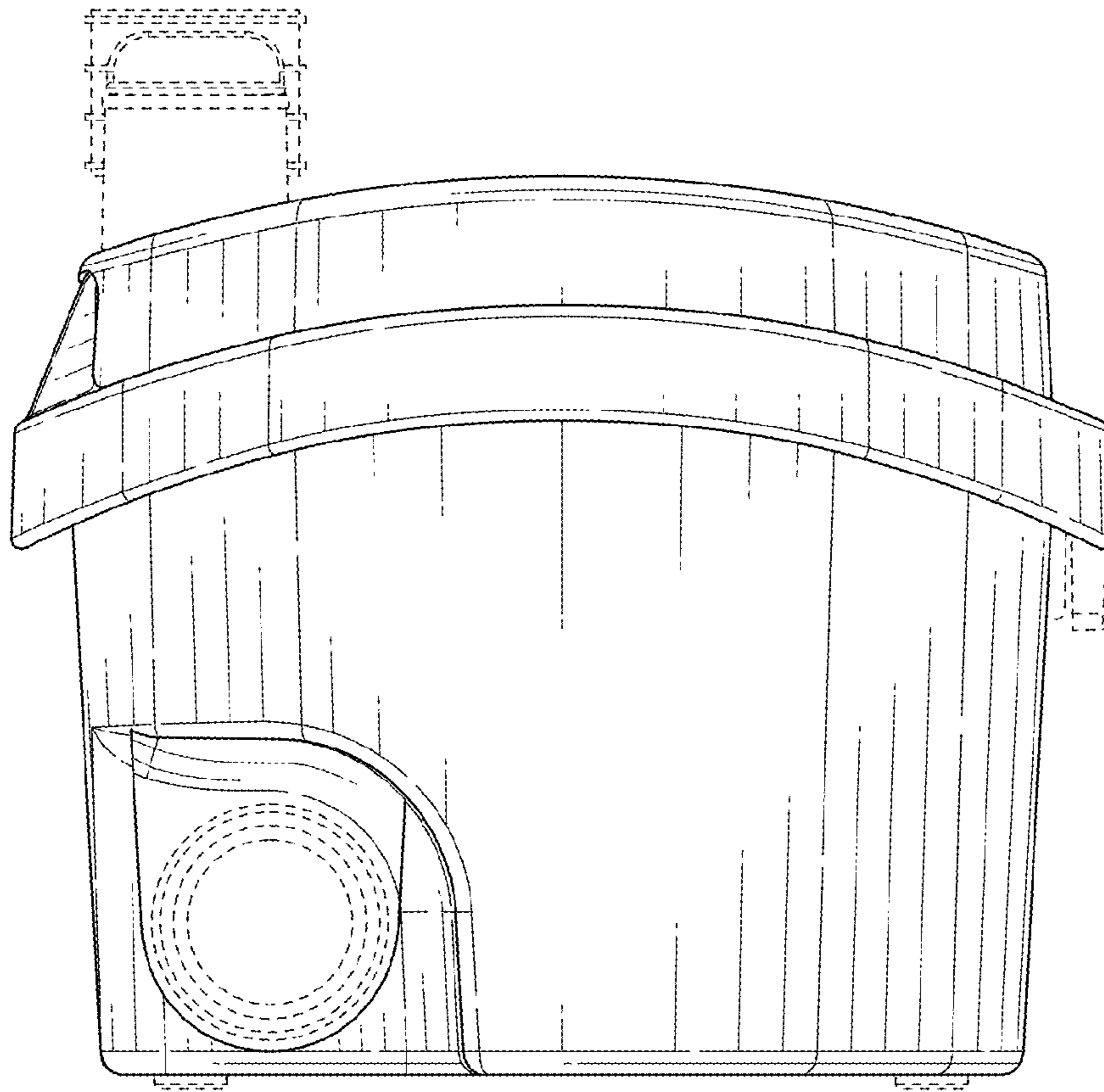


FIG. 4

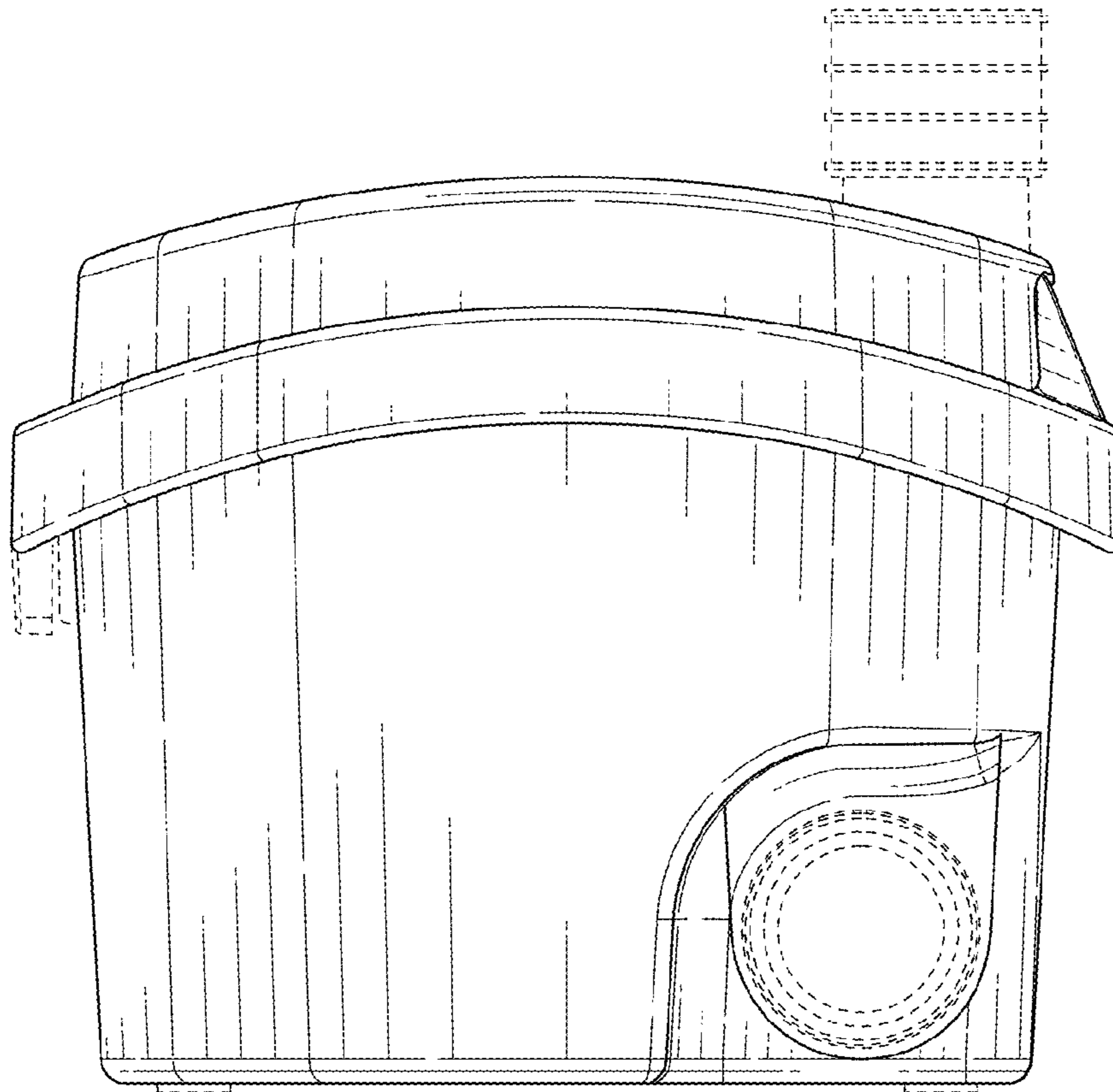


FIG. 5

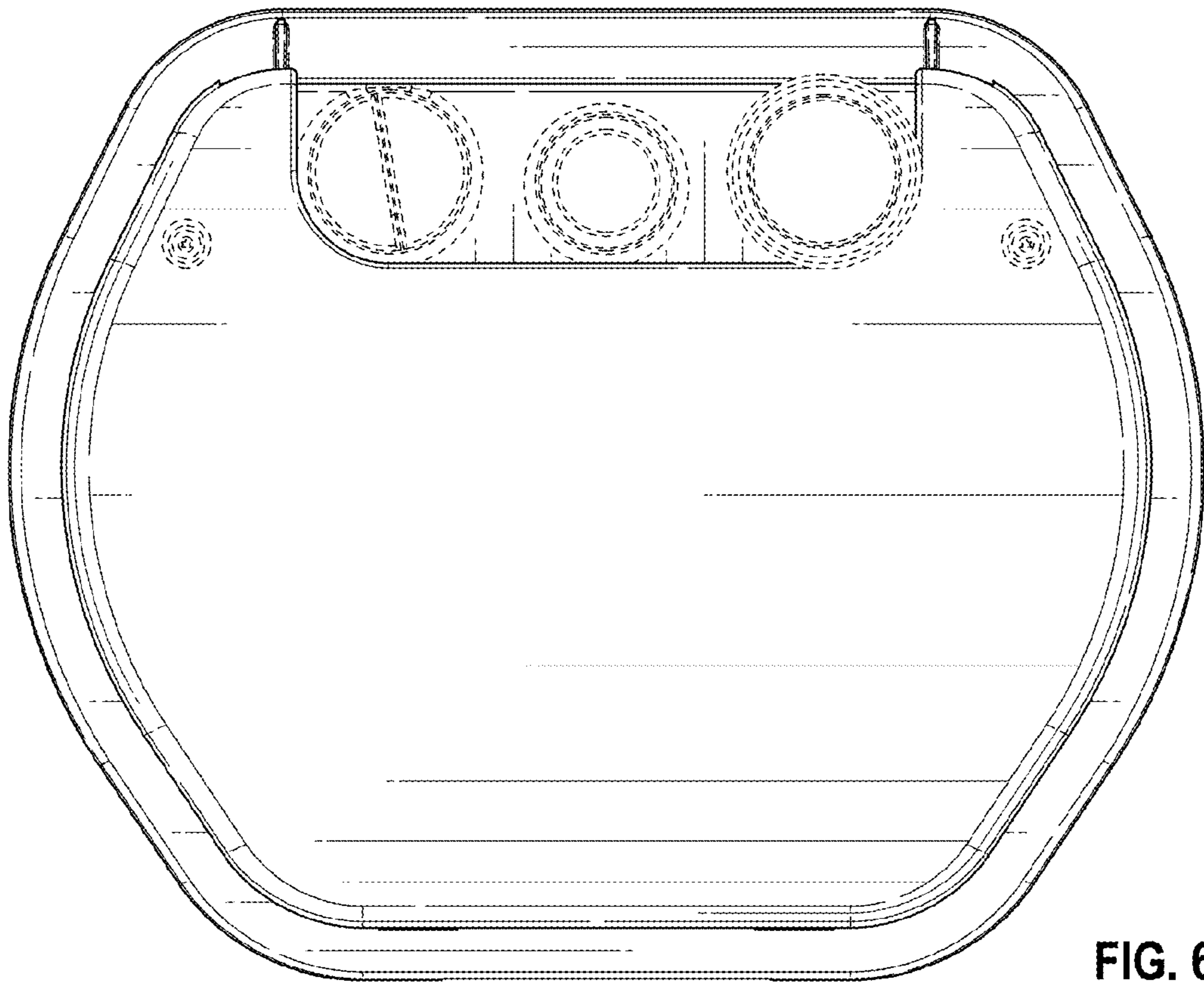


FIG. 6

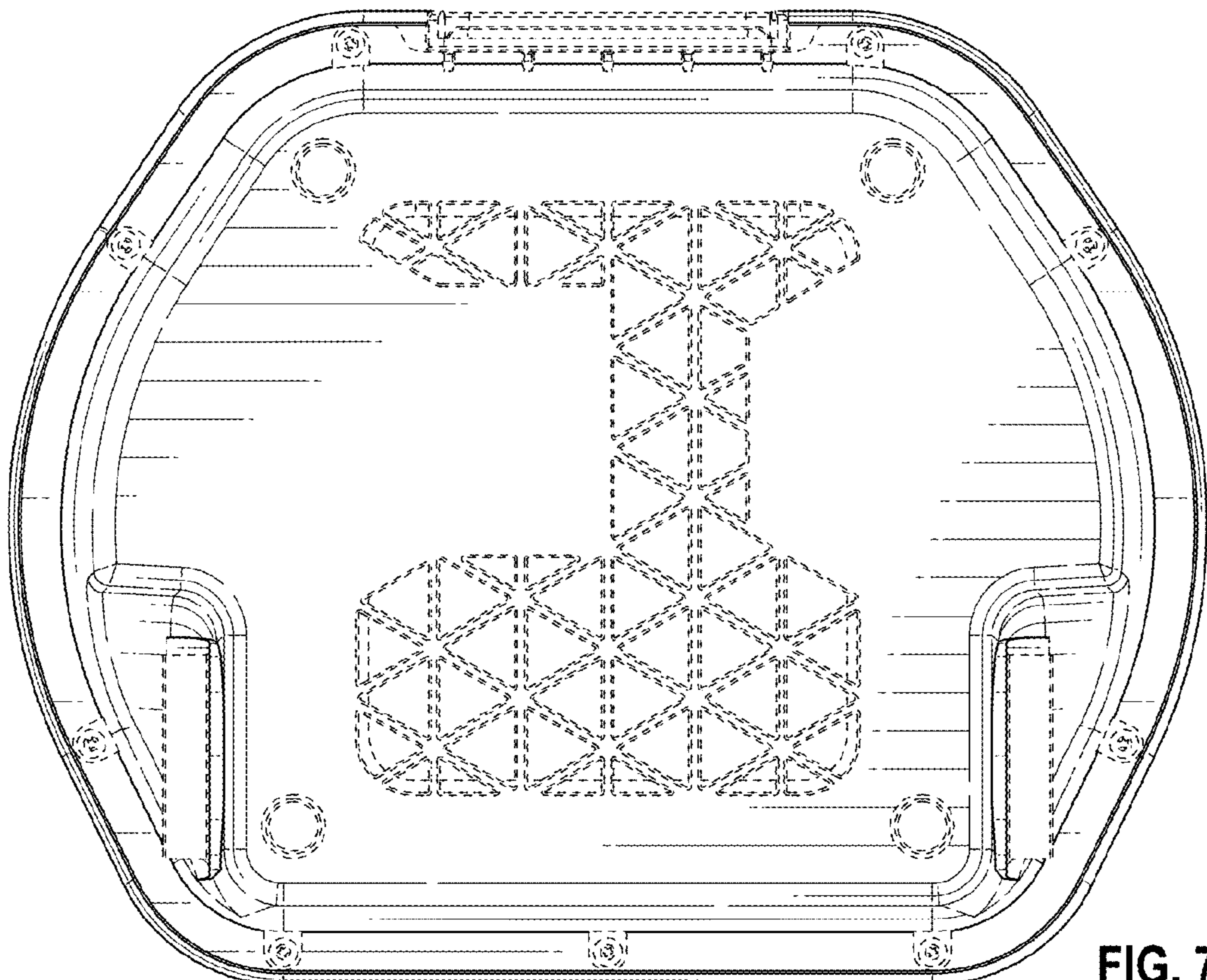


FIG. 7