



US0D1029796S

(12) **United States Design Patent** (10) **Patent No.:** **US D1,029,796 S**
Choi et al. (45) **Date of Patent:** **** Jun. 4, 2024**

(54) **SOUND BAR**

H04R 2499/15; H04N 5/642; H04N 21/4852; G10K 9/22; G10K 11/004

(71) Applicant: **LG ELECTRONICS INC.**, Seoul (KR)

See application file for complete search history.

(72) Inventors: **Kyubong Choi**, Seoul (KR);
Kyeongchul Cho, Seoul (KR);
Youngsoo Han, Seoul (KR)

(56) **References Cited**

U.S. PATENT DOCUMENTS

(73) Assignee: **LG ELECTRONICS INC.**, Seoul (KR)

D597,530	S	*	8/2009	Andre	D14/214
D621,384	S	*	8/2010	Kao	D14/214
8,023,672	B2	*	9/2011	Hsu	H04R 5/02 381/386
D681,606	S	*	5/2013	Nishii	D14/214
D715,768	S	*	10/2014	Ryu	D14/214
D756,968	S	*	5/2016	Huang	D14/215
D763,811	S	*	8/2016	Park	D14/125
D781,263	S	*	3/2017	Tong	D14/204
D796,480	S	*	9/2017	Sung	D14/214
D869,441	S	*	12/2019	Jeong	D14/215

(**) Term: **15 Years**

(21) Appl. No.: **35/516,446**

(22) Filed: **Feb. 7, 2023**

(Continued)

(80) **Hague Agreement Data**

Int. Filing Date: **Feb. 7, 2023**
Int. Reg. No.: **DM/226862**
Int. Reg. Date: **Feb. 7, 2023**
Int. Reg. Pub. Date: **Mar. 3, 2023**

Primary Examiner — Khawaja Anwar

Assistant Examiner — Megan Tiana Rakos

(74) *Attorney, Agent, or Firm* — Birch, Stewart, Kolasch & Birch, LLP

(30) **Foreign Application Priority Data**

Sep. 8, 2022 (KR) 30-2022-0036966

(51) **LOC (14) Cl.** **14-01**

(52) **U.S. Cl.**
USPC **D14/215**

(58) **Field of Classification Search**
USPC D14/125-126, 155, 157, 159, 160-173,
D14/187-188, 203.1-203.8, 204, 207,
D14/216, 217-222, 225-229, 445, 496,
D14/500; D16/200-207, 221, 225, 230,
D16/237

CPC H04R 1/02; H04R 1/021; H04R 1/025;
H04R 1/026; H04R 1/028; H04R 1/06;
H04R 1/105; H04R 1/323; H04R 1/403;
H04R 1/2803; H04R 1/2834; H04R 5/02;
H04R 7/20; H04R 9/06; H04R 9/025;
H04R 2201/021; H04R 2400/00; H04R
2400/07; H04R 2499/11; H04R 2499/13;

(57) **CLAIM**

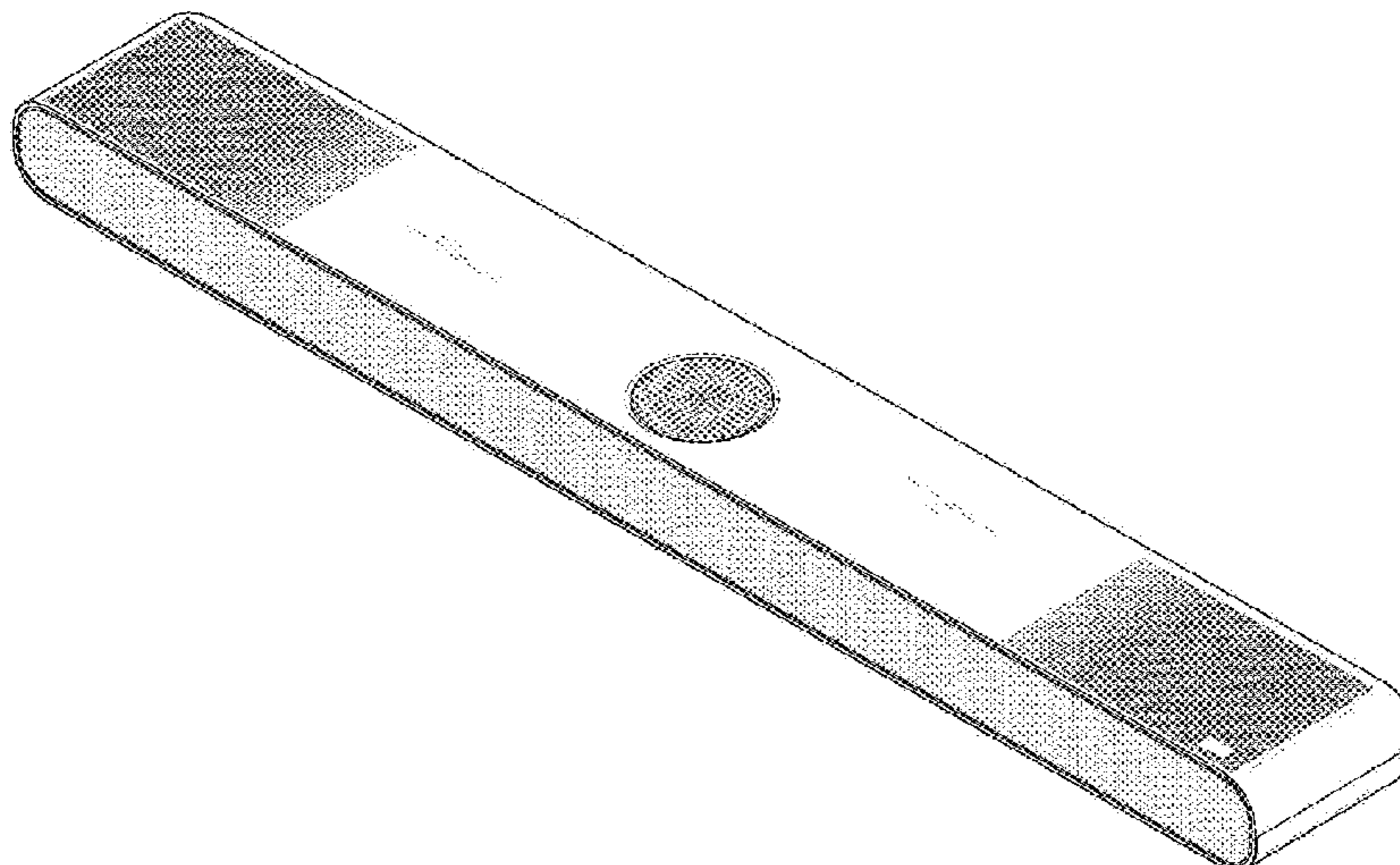
The ornamental design for a sound bar, as shown and described.

DESCRIPTION

- 1. Sound bar
- 1.1 : Front perspective view
- 1.2 : Bottom perspective view
- 1.3 : Front
- 1.4 : Back
- 1.5 : Left
- 1.6 : Top
- 1.7 : Bottom

A right view is omitted because it is a mirror image of the left view; the broken lines shown in the reproductions depict portions of the sound bar that form no part of the claimed design.

1 Claim, 7 Drawing Sheets



(56)

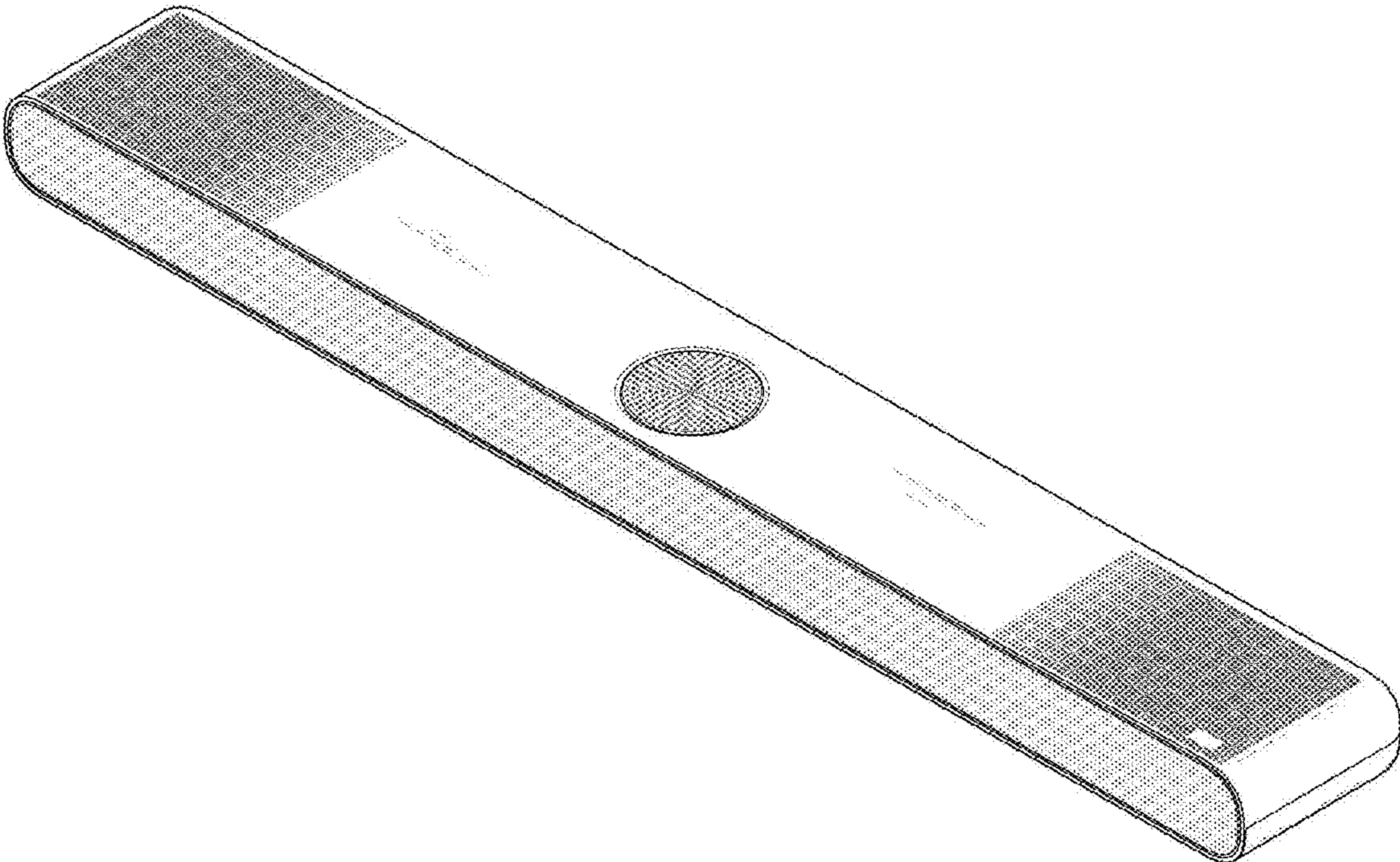
References Cited

U.S. PATENT DOCUMENTS

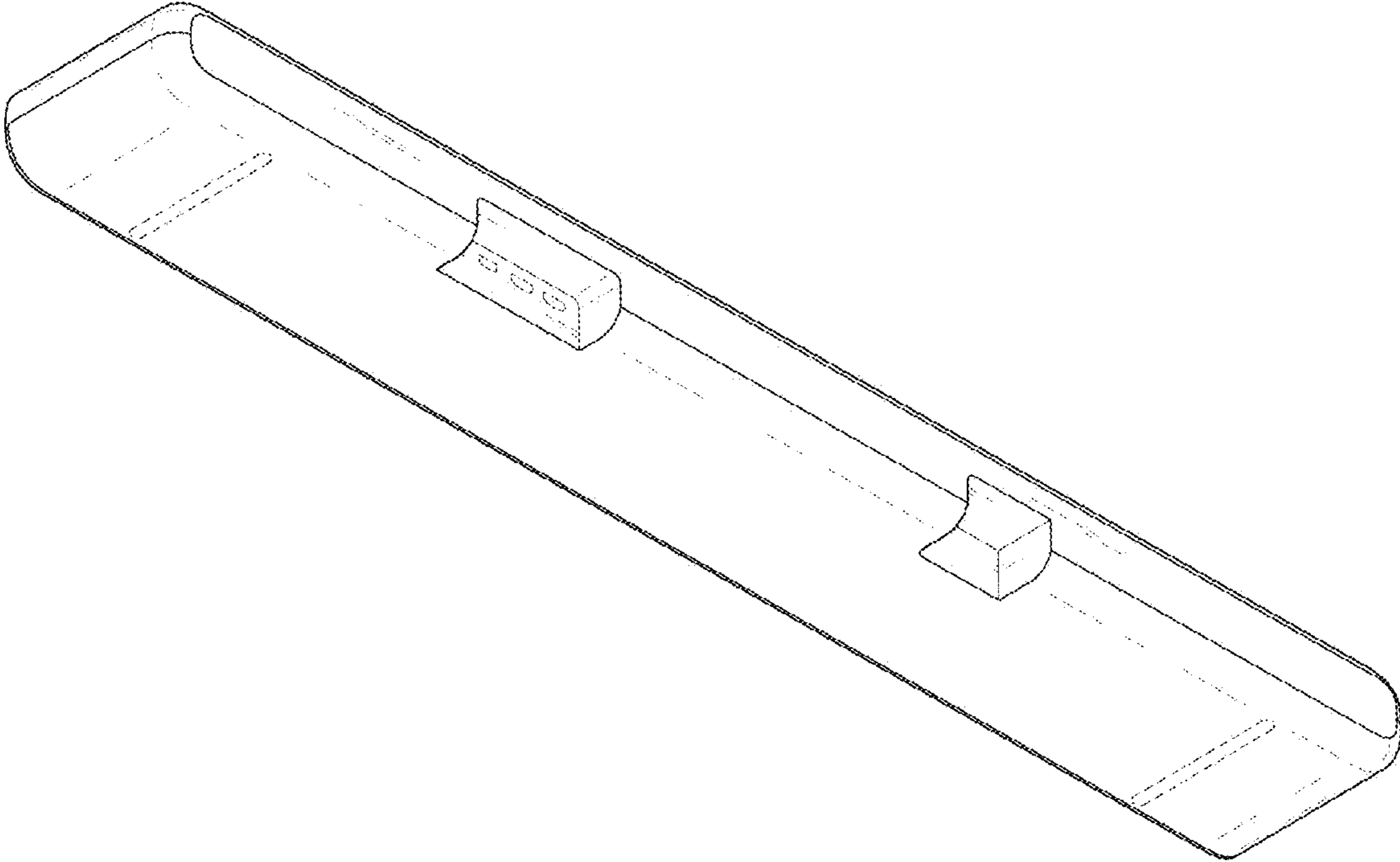
D886,789	S	*	6/2020	Huang	D14/204
D906,278	S	*	12/2020	Laine	D14/204
D915,350	S	*	4/2021	Kitazawa	D14/214
D923,604	S	*	6/2021	Guo	D14/214
D932,465	S	*	10/2021	Su	D14/204
D938,938	S	*	12/2021	Park	D14/215
D981,974	S	*	3/2023	Kuang	D14/125
D995,478	S	*	8/2023	Park	D14/215
D1,001,100	S	*	10/2023	Park	D14/215
D1,008,225	S	*	12/2023	Kang	D14/204
2022/0417654	A1	*	12/2022	Rainer	H04R 1/02

* cited by examiner

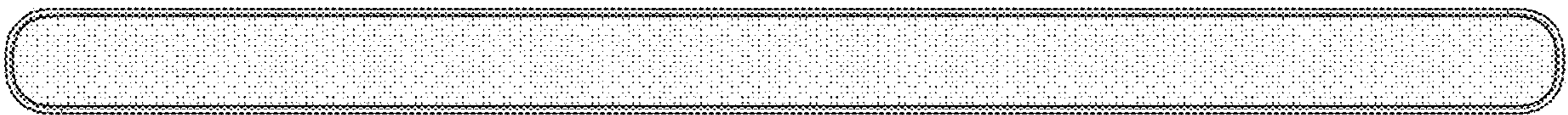
1.1



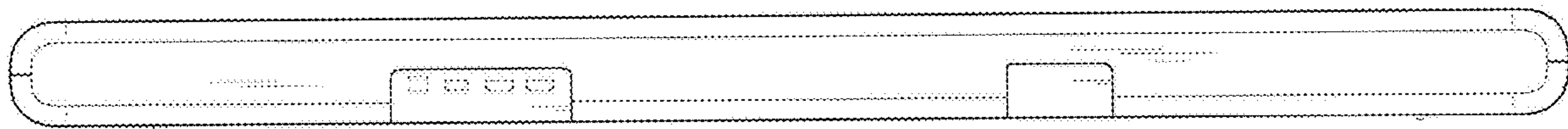
1.2



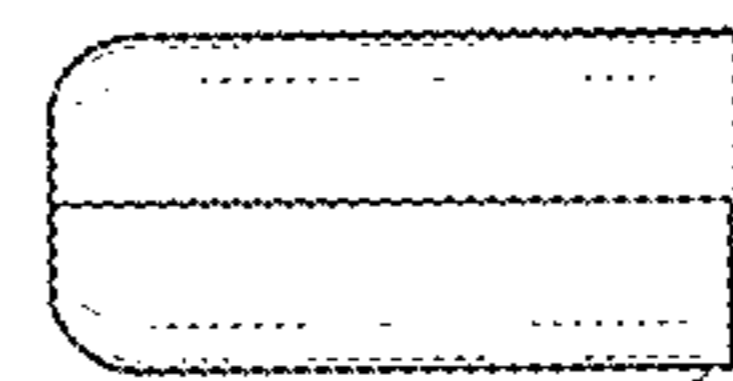
1.3



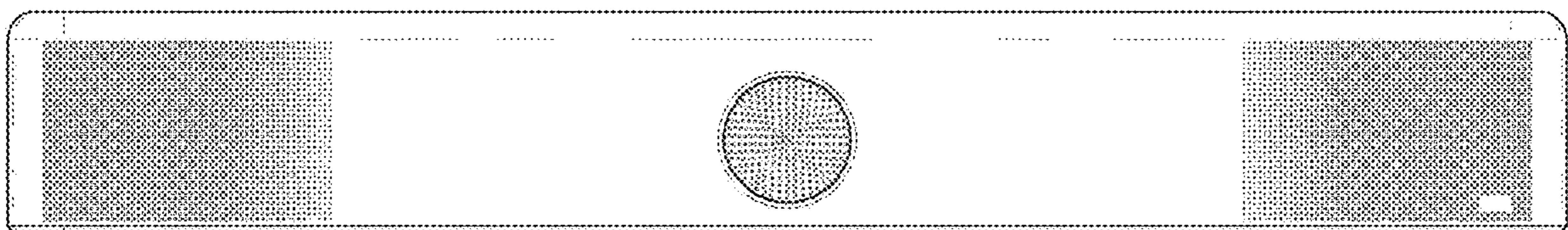
1.4



1.5



1.6



1.7

