



US0D1029731S

(12) **United States Design Patent**
Rejkowski

(10) **Patent No.: US D1,029,731 S**

(45) **Date of Patent: ** Jun. 4, 2024**

(54) **VENT ACCESSORY FOR VEHICLE HEATING AND AIR CONDITIONING SYSTEMS**

(71) Applicant: **Michael W Rejkowski**, Carrollton, TX (US)

(72) Inventor: **Michael W Rejkowski**, Carrollton, TX (US)

(73) Assignee: **CLASSIC AUTO AIR MANUFACTURING LP**, Beachwood, OH (US)

(**) Term: **15 Years**

(21) Appl. No.: **29/757,511**

(22) Filed: **Nov. 6, 2020**

(51) **LOC (14) Cl.** **12-16**

(52) **U.S. Cl.**
USPC **D12/400**

(58) **Field of Classification Search**
USPC D12/190, 192, 195, 324, 325, 327, 386, D12/400, 415; D15/5; D21/561
(Continued)

(56) **References Cited**

U.S. PATENT DOCUMENTS

2,516,805 A 7/1950 Rother
3,319,560 A 5/1967 Schaaf
(Continued)

OTHER PUBLICATIONS

Over-Sized Spinning Tire Rim Aromatherapy Car Vent, posted date unknown [online], [retrieved Oct. 30, 2023]. Retrieved from internet, <https://gittagadget.com/products/handsomely-designed-over-sized-tire-rim-aromatherapy-car-vent-clip> (Year: 2023).*

(Continued)

Primary Examiner — Darlington Ly
Assistant Examiner — Jeremy Koenig

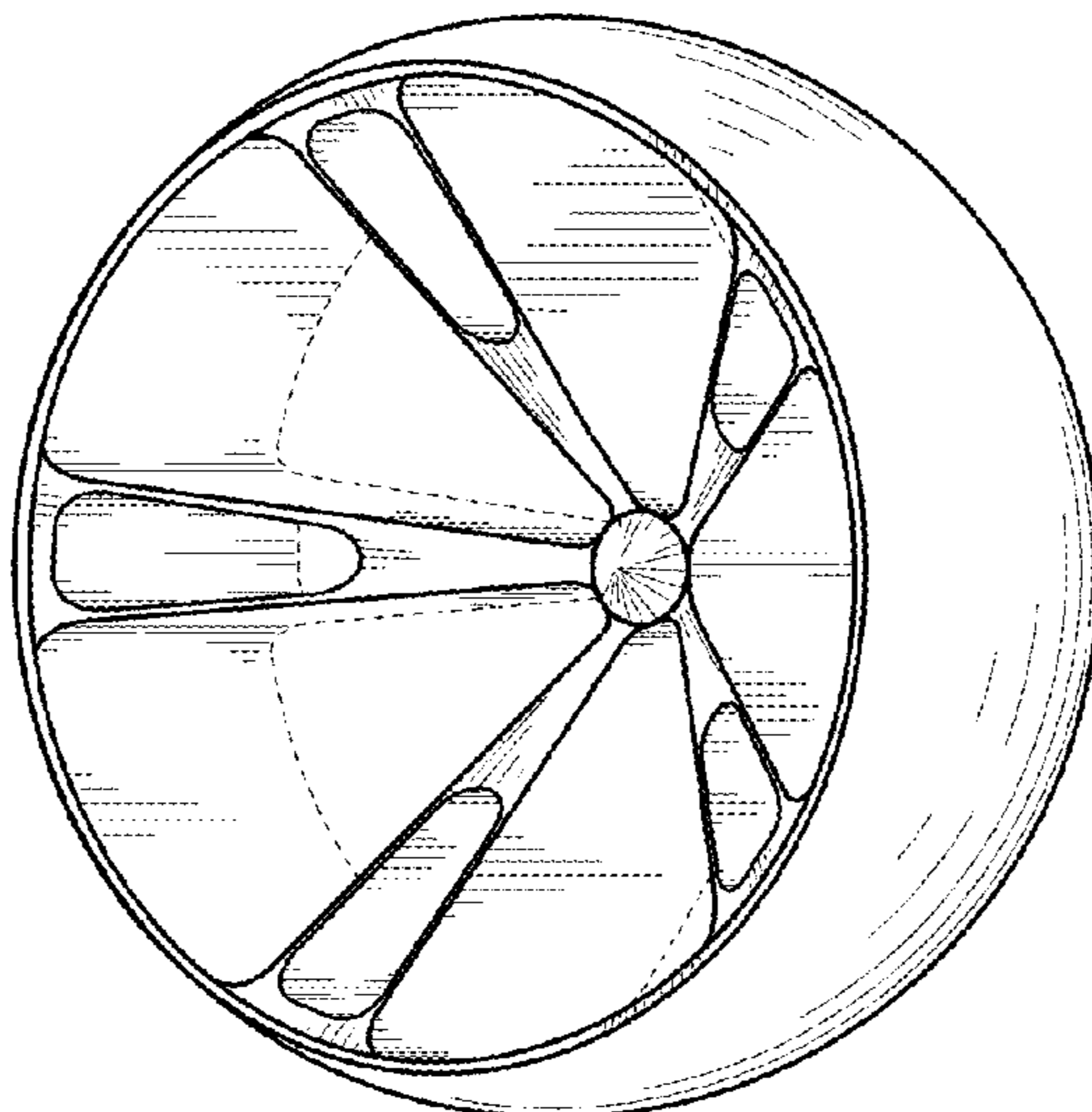
(57) **CLAIM**

The ornamental design for a vent accessory for vehicle heating and air conditioning systems, as shown and described.

DESCRIPTION

FIG. 1 is a perspective front view of a vent accessory for vehicle heating and air conditioning systems showing my new design;
FIG. 2 is a front elevation view of the vent accessory for vehicle heating and air conditioning systems of FIG. 1;
FIG. 3 is a rear elevation view of the vent accessory for vehicle heating and air conditioning systems of FIG. 1;
FIG. 4 is a right side elevation view of the vent accessory for vehicle heating and air conditioning systems of FIG. 1;
FIG. 5 is a left side elevation view of the vent accessory for vehicle heating and air conditioning systems of FIG. 1;
FIG. 6 is a top plan view of the vent accessory for vehicle heating and air conditioning systems of FIG. 1;
FIG. 7 is a bottom plan view of the vent accessory for vehicle heating and air conditioning systems of FIG. 1;
FIG. 8 is a perspective front view of an alternate embodiment of a vent accessory for vehicle heating and air conditioning systems showing my new design;
FIG. 9 is a front elevation view of the vent accessory for vehicle heating and air conditioning systems of FIG. 8;
FIG. 10 is a rear elevation view of the vent accessory for vehicle heating and air conditioning systems of FIG. 8;
FIG. 11 is a right side elevation view of the vent accessory for vehicle heating and air conditioning systems of FIG. 8;
FIG. 12 is a left side elevation view of the vent accessory for vehicle heating and air conditioning systems of FIG. 8;
FIG. 13 is a top plan view of the vent accessory for vehicle heating and air conditioning systems of FIG. 8; and,
FIG. 14 is a bottom plan view of the vent accessory for vehicle heating and air conditioning systems of FIG. 8.
The broken lines depicting portions of the vent accessory form no part of the claimed design.

1 Claim, 4 Drawing Sheets



(58) **Field of Classification Search**

CPC B60H 1/00542; B60H 1/0055; B60H 1/00357; B60H 1/0027; B60H 1/34; B60H 1/3407; B60H 1/3442; B60H 1/3428

See application file for complete search history.

(56) **References Cited**

U.S. PATENT DOCUMENTS

3,432,142 A 3/1969 Ludford
 5,065,667 A 11/1991 Ziegler
 5,220,805 A 6/1993 Fukudomi
 5,700,191 A 12/1997 Nieling et al.
 5,746,651 A 5/1998 Arajs
 5,797,791 A 8/1998 Humphrey et al.
 5,800,259 A 9/1998 Onley
 5,967,891 A * 10/1999 Riley B60H 1/3442
 454/154
 6,059,652 A 5/2000 Terry
 6,066,225 A 5/2000 Lopes
 D445,049 S 7/2001 Lee
 6,342,003 B1 1/2002 Wang
 6,378,388 B1 4/2002 Lacroix
 6,386,967 B1 * 5/2002 Kim F04D 25/166
 454/285
 D468,008 S * 12/2002 Fraser D23/390
 D491,853 S 6/2004 Sato et al.
 D494,906 S 8/2004 Pfeiffer
 D496,896 S 10/2004 Tahira et al.
 D506,819 S 6/2005 Stobart
 D514,968 S 2/2006 Tahira et al.
 7,040,104 B2 5/2006 Bogner et al.
 D528,485 S 9/2006 Montijo et al.
 D535,732 S 1/2007 Klopp, III
 D537,520 S 2/2007 Nishizawa
 D577,641 S 9/2008 Wyszogrod et al.
 D603,493 S * 11/2009 Fraser D23/327
 D641,673 S 7/2011 Zimmermann et al.
 D648,662 S 11/2011 Stephenson
 8,057,288 B2 11/2011 Konet
 D674,884 S 1/2013 Rejkowski et al.
 D674,885 S 1/2013 Rejkowski et al.
 D680,204 S 4/2013 Rejkowski et al.
 D680,205 S * 4/2013 Rejkowski D23/324
 D686,307 S 7/2013 Rejkowski et al.
 D695,882 S 12/2013 Rejkowski et al.

8,740,677 B2 6/2014 Steinbeiss et al.
 8,834,241 B2 9/2014 Uhlenbusch
 D723,144 S 2/2015 Rejkowski et al.
 D723,145 S * 2/2015 Rejkowski D23/324
 8,974,273 B2 3/2015 Uhlenbusch
 D755,099 S 5/2016 Suzuki
 9,457,907 B2 10/2016 Brown
 9,605,866 B2 3/2017 Rais
 9,707,826 B2 7/2017 Brinas
 D794,522 S * 8/2017 Rejkowski D12/192
 9,718,329 B2 8/2017 Brinas
 9,902,237 B2 2/2018 Sano
 D849,664 S * 5/2019 Rejkowski D12/324
 D867,562 S * 11/2019 Rejkowski D23/324
 D867,563 S * 11/2019 Michael D23/324
 D905,835 S * 12/2020 Rejkowski D23/324
 D936,559 S * 11/2021 Rejkowski D12/324
 D989,928 S * 6/2023 Rejkowski D23/324
 D989,929 S * 6/2023 Rejkowski D23/324
 2002/0119745 A1 8/2002 Thomassin
 2004/0063397 A1 * 4/2004 Dippel F24F 13/065
 454/154
 2006/0092129 A1 5/2006 Choquet et al.
 2006/0172681 A1 8/2006 Steinbeiss
 2006/0175422 A1 8/2006 Hall
 2014/0030974 A1 * 1/2014 D'Angelo B60H 1/3457
 454/152
 2014/0342657 A1 11/2014 Rais
 2015/0124471 A1 5/2015 Garcz da Silva
 2015/0210397 A1 7/2015 Blom
 2016/0031293 A1 2/2016 Brinas
 2016/0102884 A1 * 4/2016 Terai B60H 1/3428
 454/335
 2017/0036508 A1 * 2/2017 Terasawa B60H 1/3442

OTHER PUBLICATIONS

4pcs Dashboard Air Conditioning Deflector Outlet, posted date Unknown [online], [retrieved Oct. 30, 2023]. Retrieved from internet, <https://www.walmart.com/ip/4pcs-Dashboard-Air-Conditioning-Deflector-Outlet-48mm-ABS-Side-Roof-Round-Air-Ventilation-Outlet-Black-for-Car-Bus-RV/480582153> (Year: 2023).*
 Newmar RV Dash Vent _ Integrity RV Parts, posted date unknown [online], [retrieved Oct. 30, 2023]. Retrieved from internet, <https://integrityrvparts.com/products/newmar-rv-51336-dash-vent> (Year: 2023).*

* cited by examiner

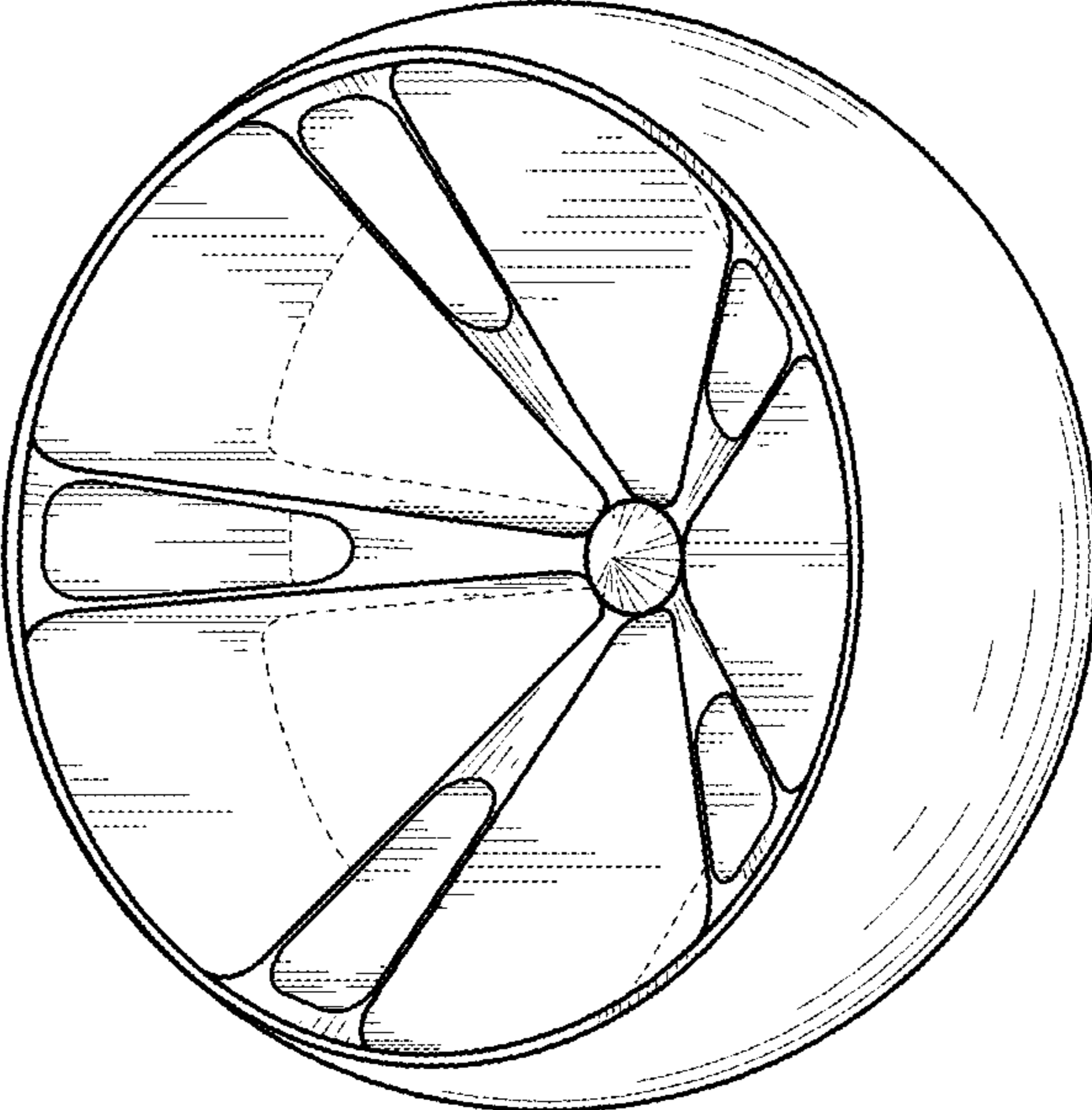


Fig. 1

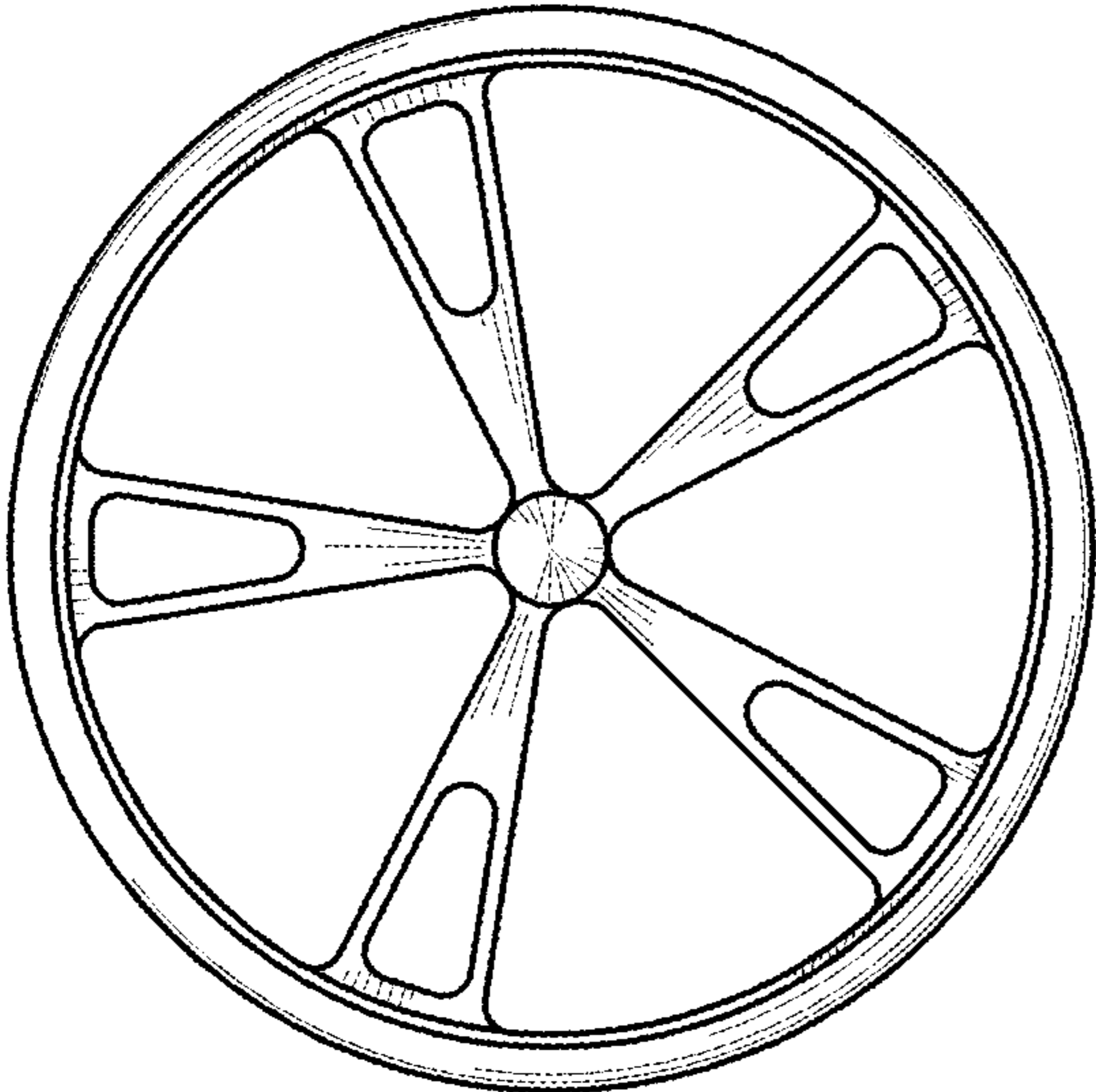


Fig. 2

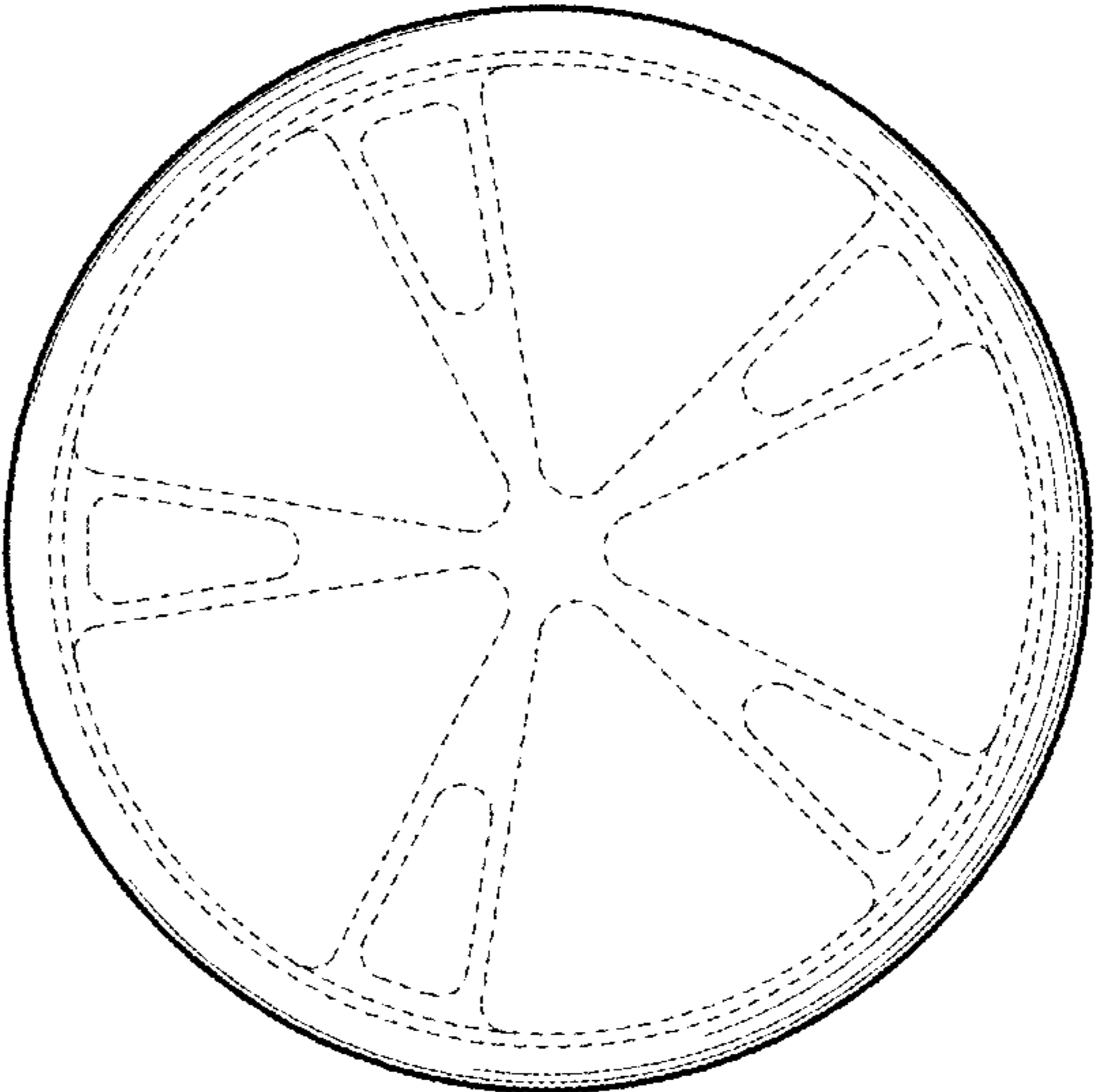


Fig. 3

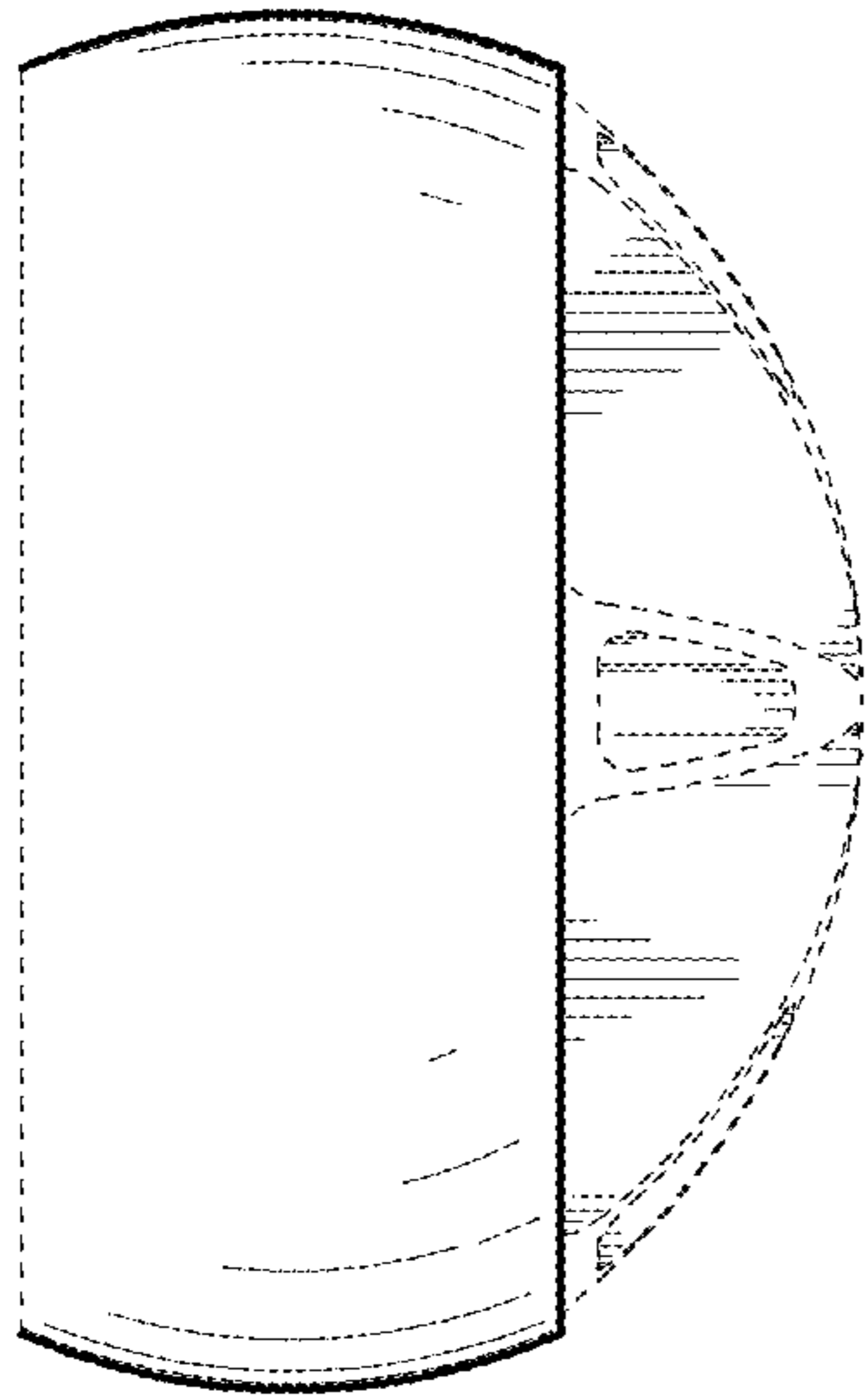


Fig. 4

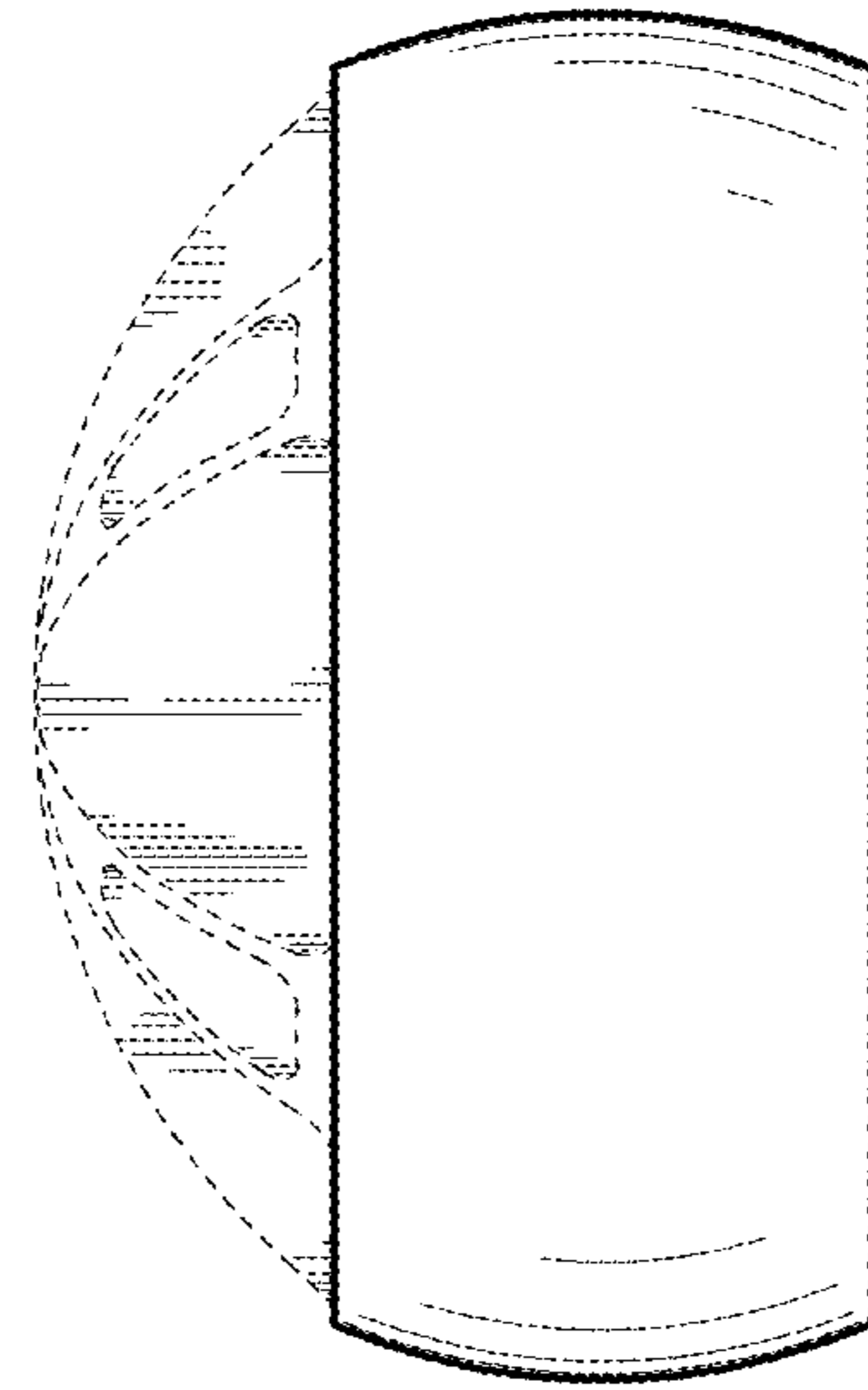


Fig. 5

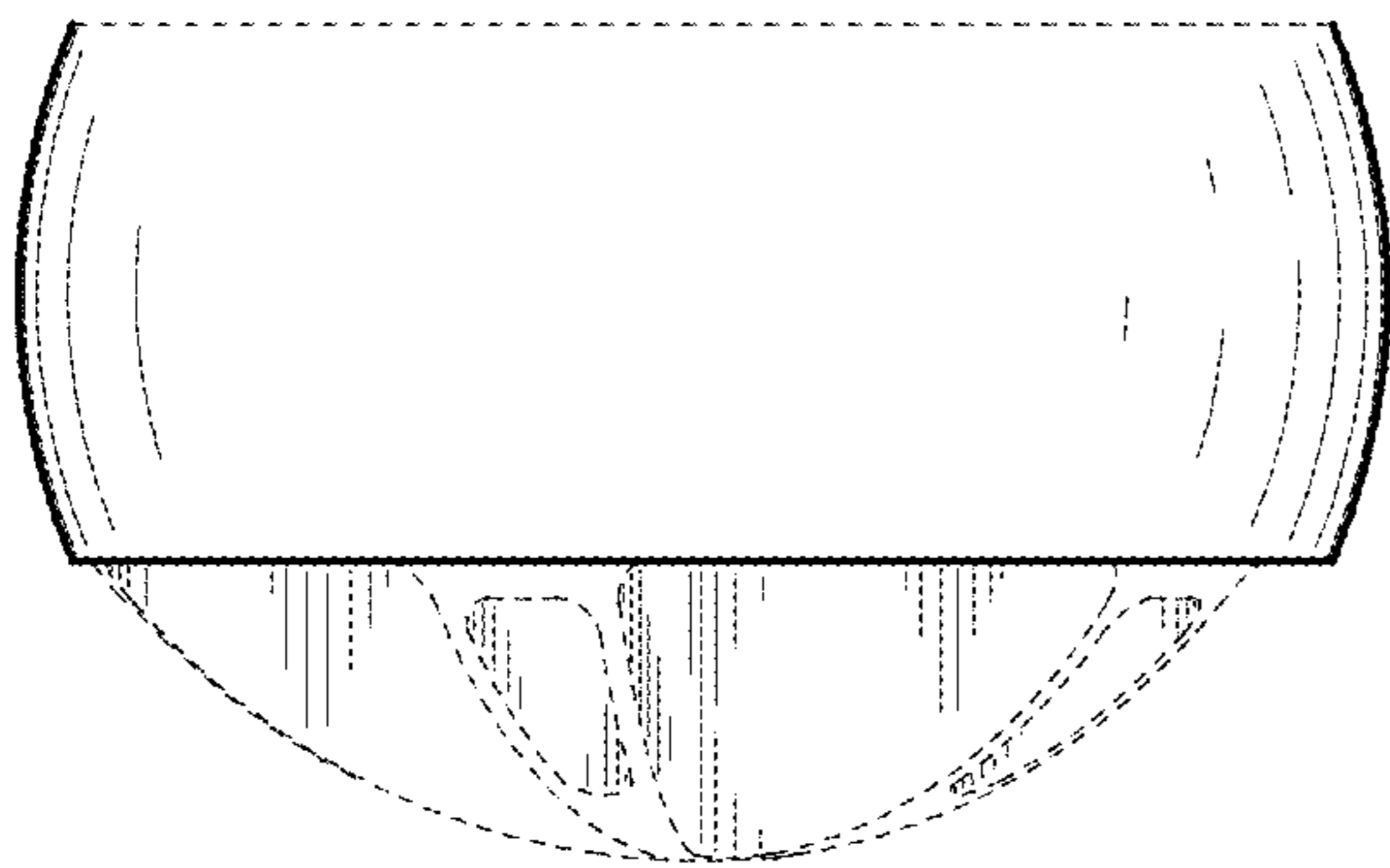


Fig. 6

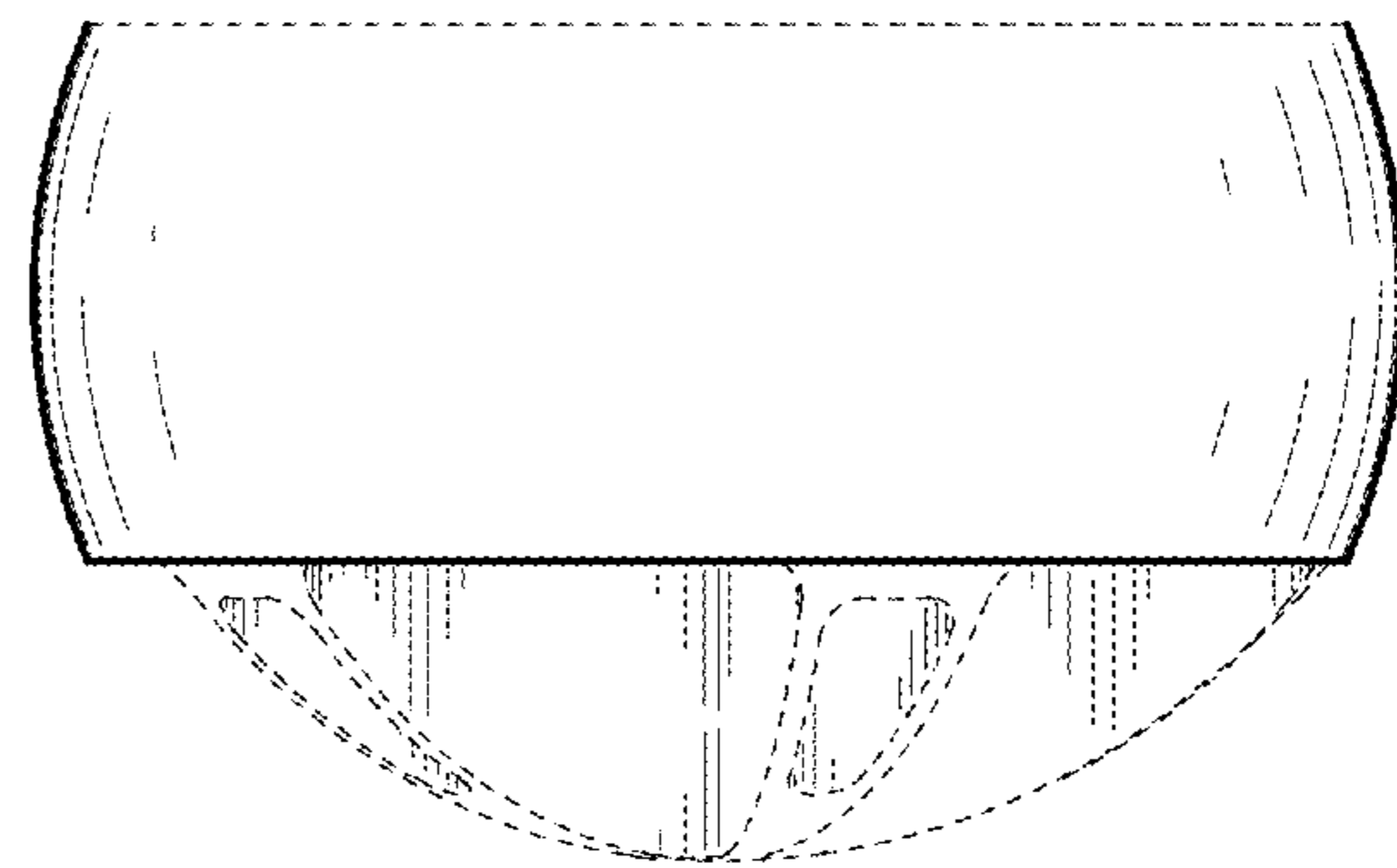


Fig. 7

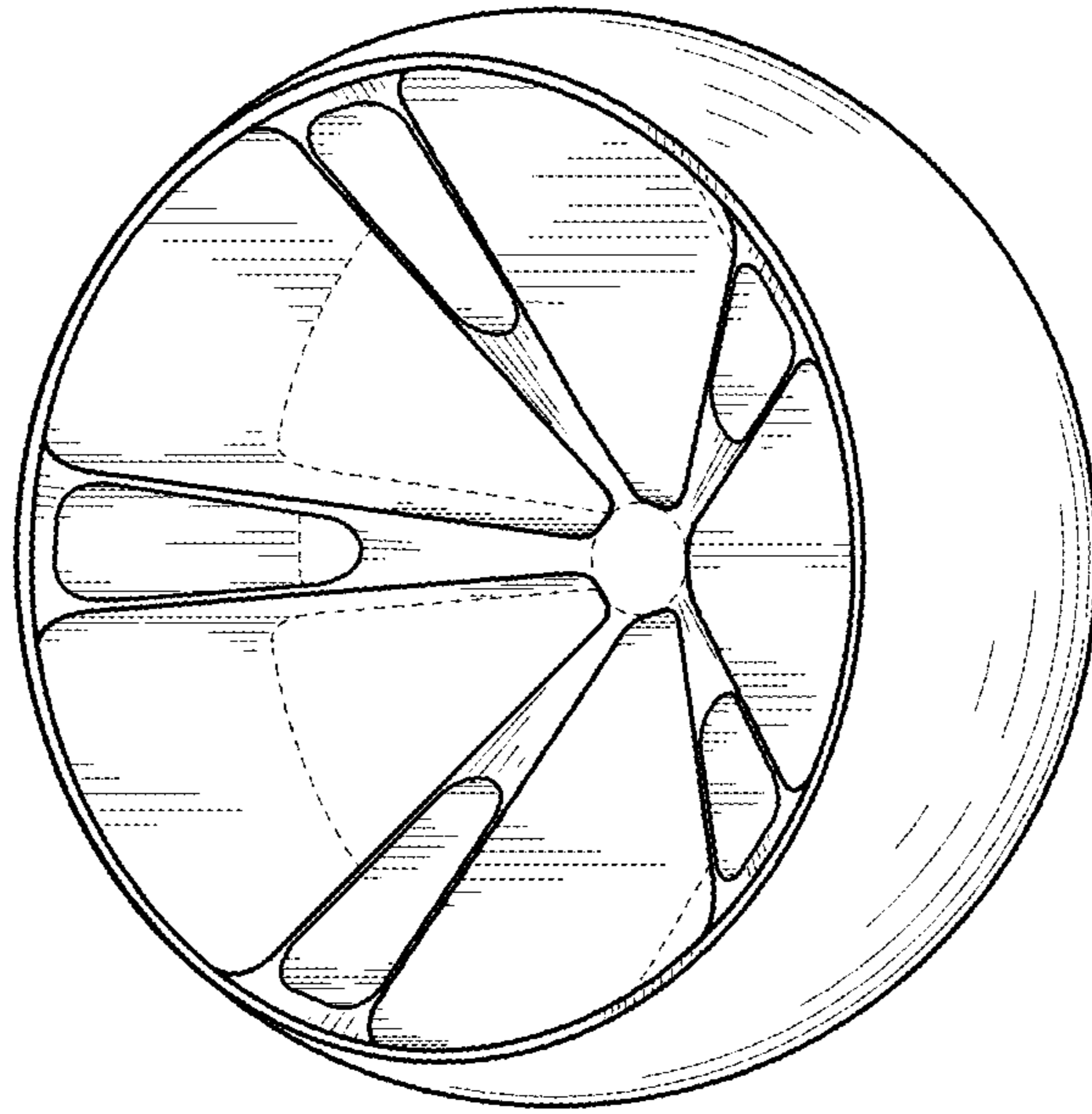


Fig. 8

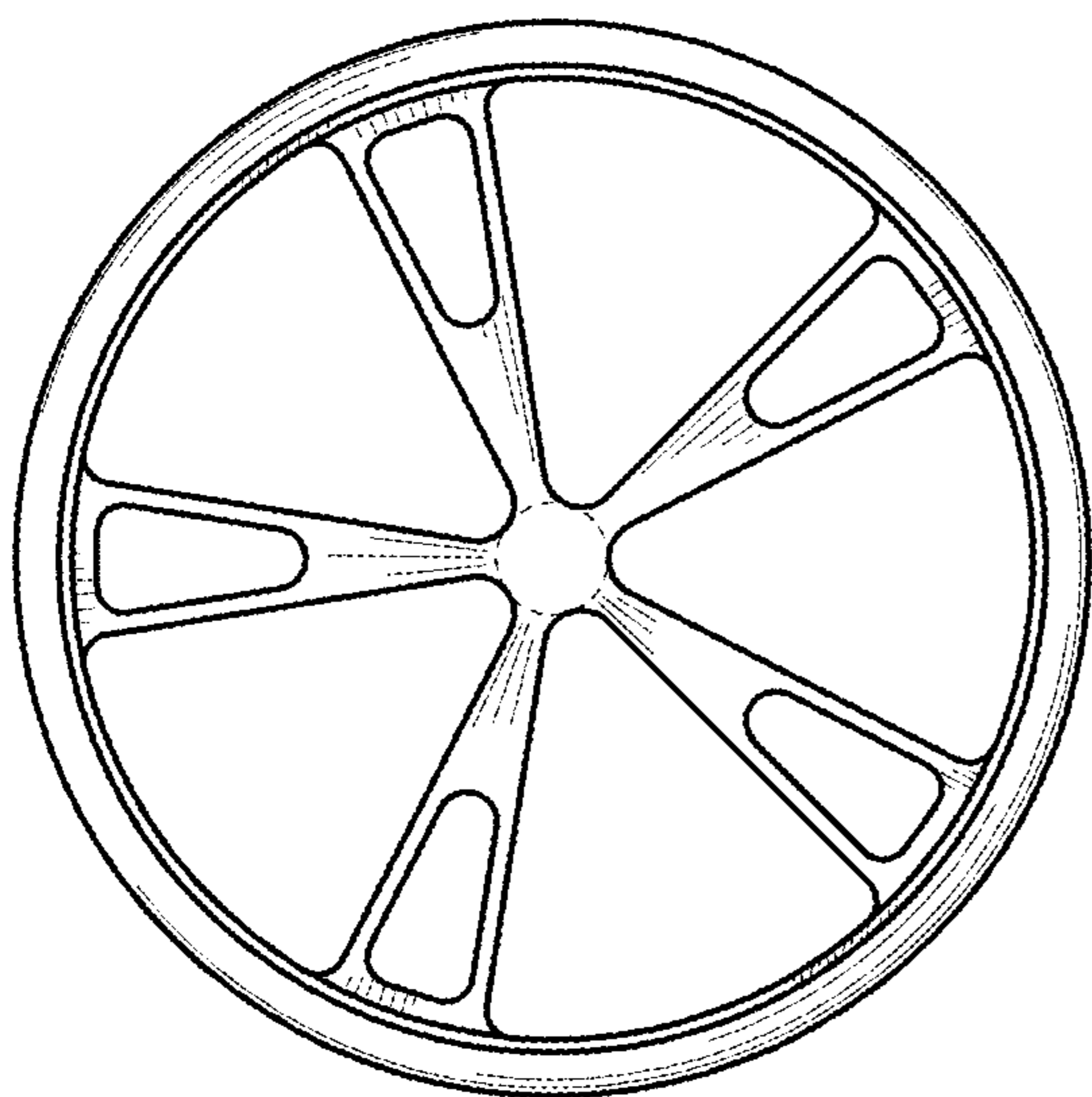


Fig. 9

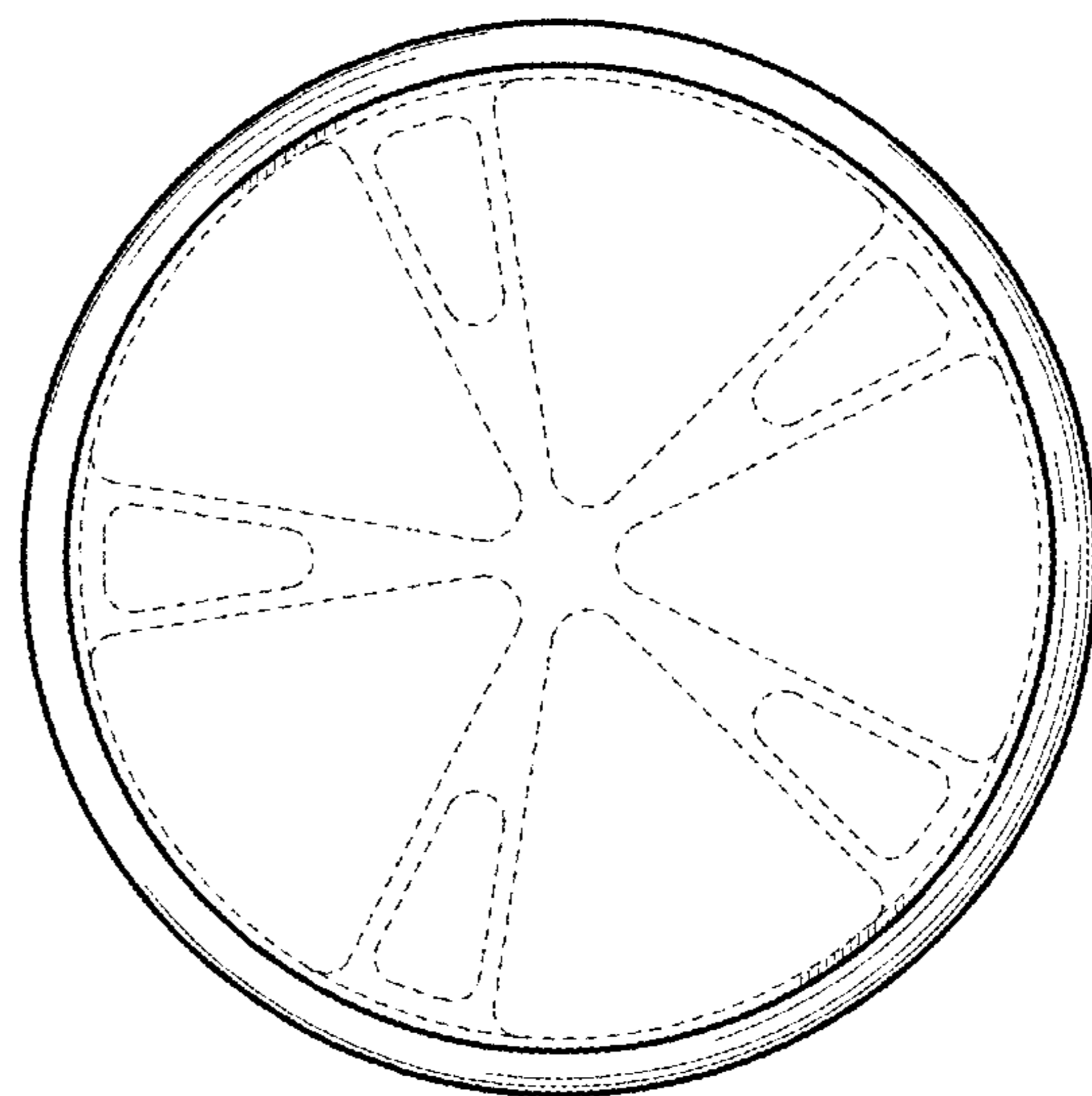


Fig. 10

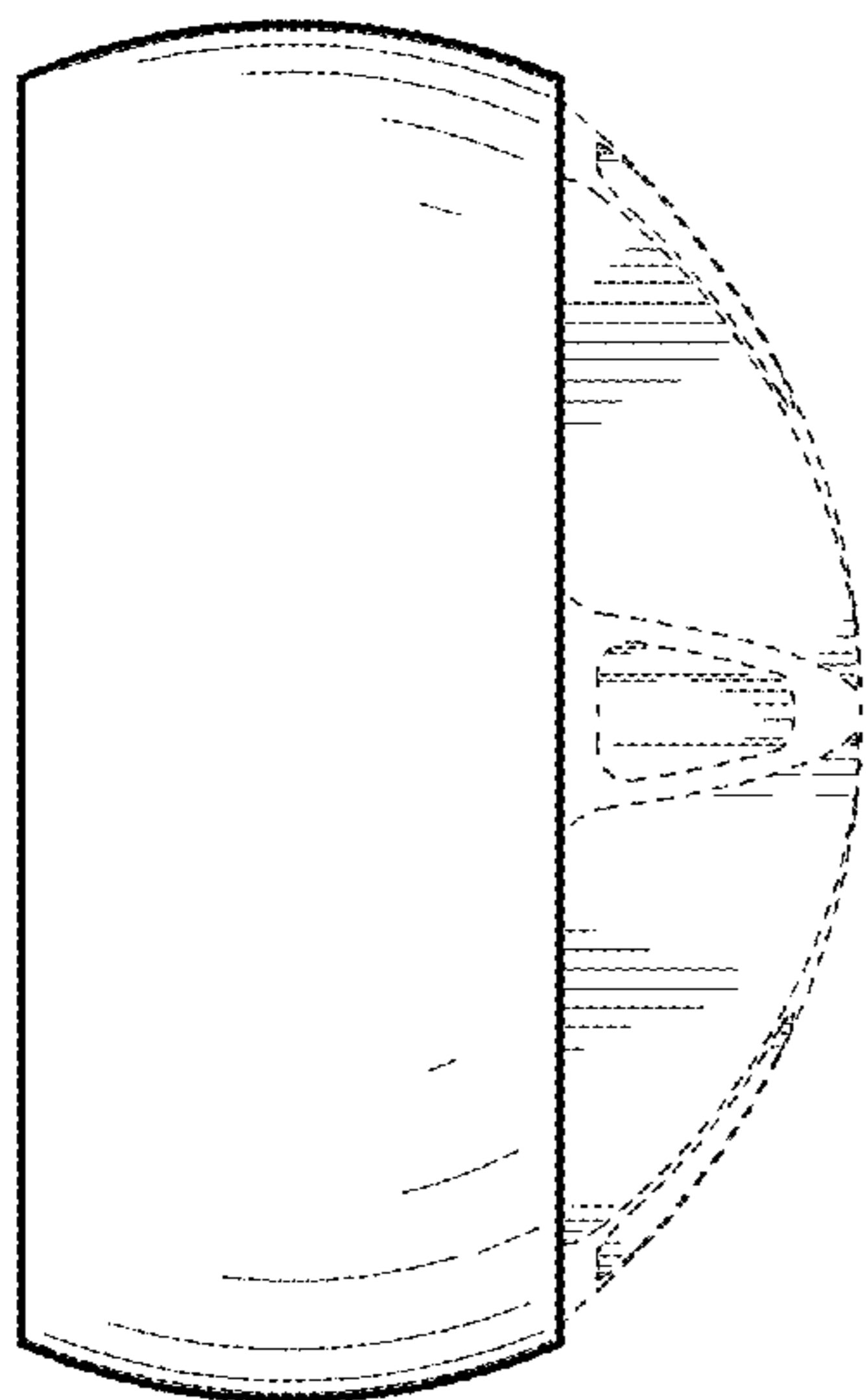


Fig. 11

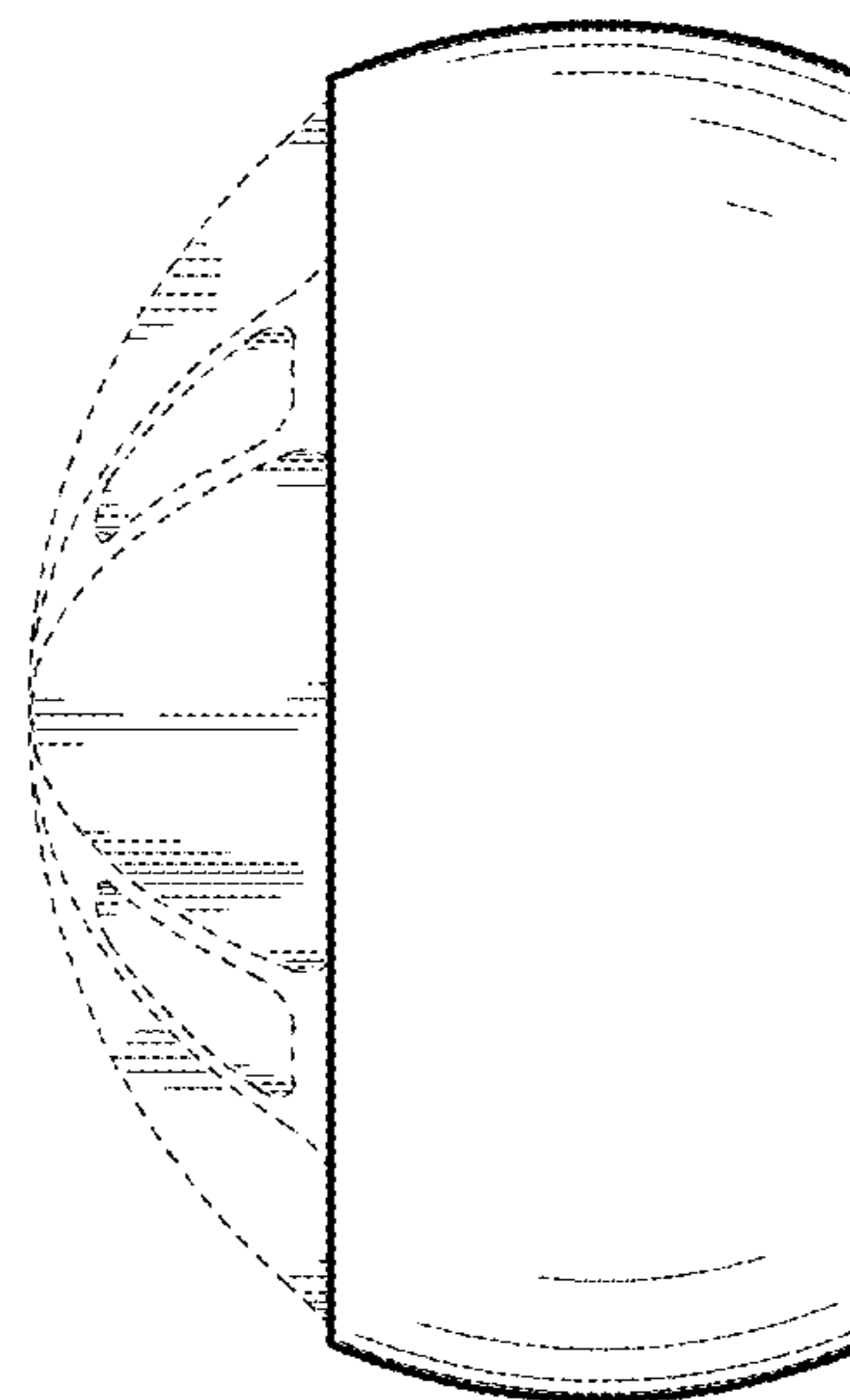


Fig. 12

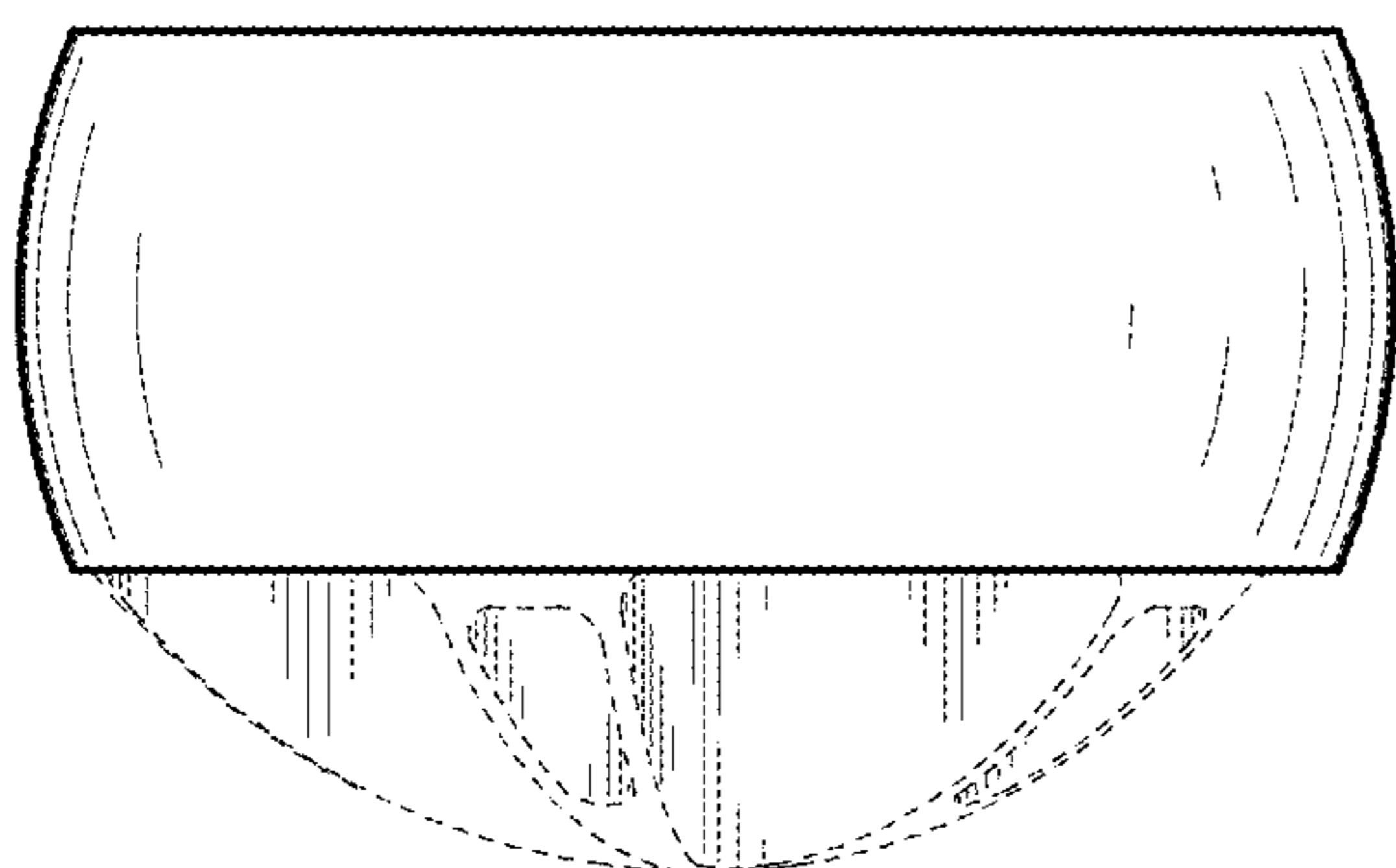


Fig. 13

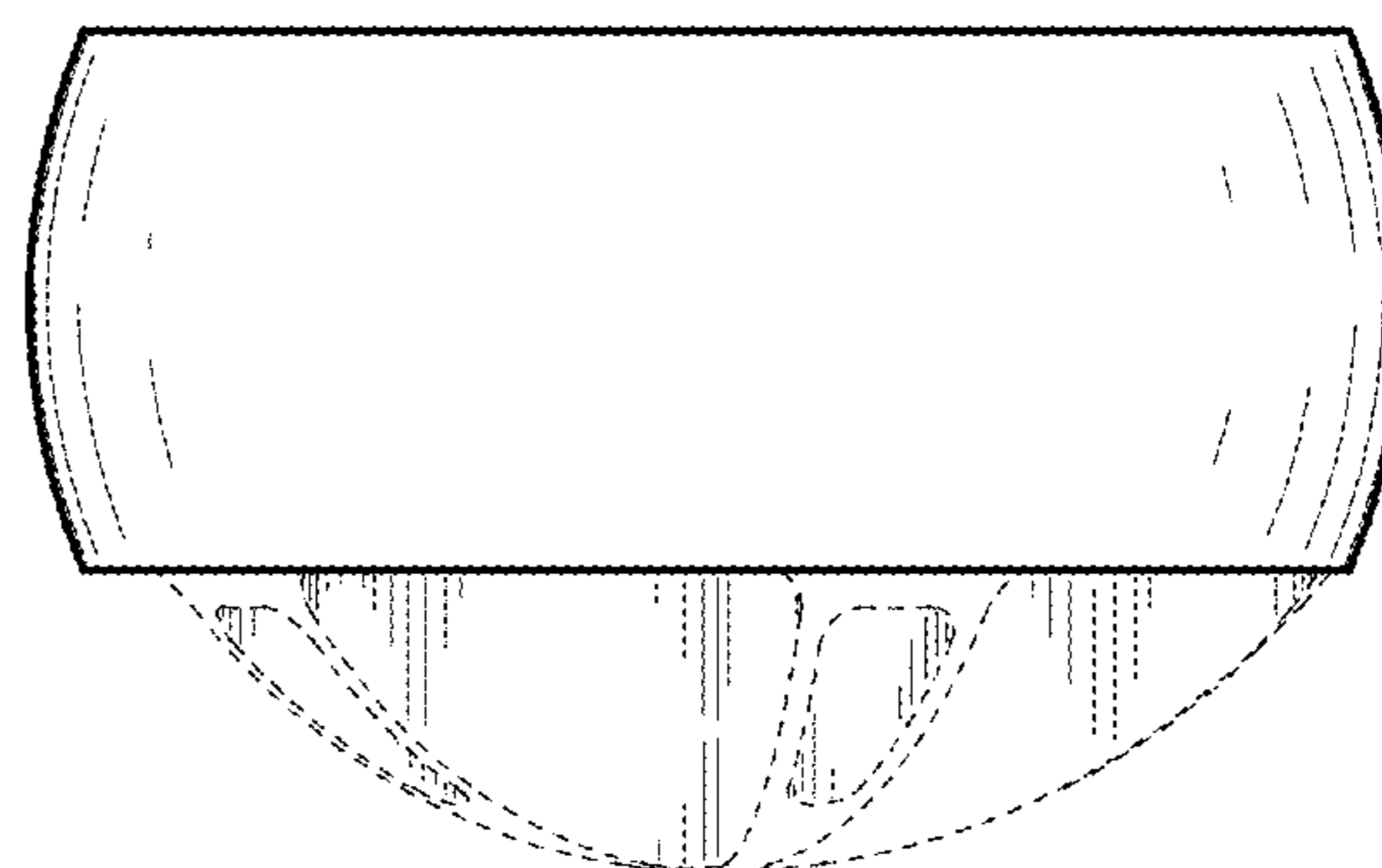


Fig. 14