



US0D1029657S

(12) **United States Design Patent**  
**Yamamoto**

(10) **Patent No.:** **US D1,029,657 S**

(45) **Date of Patent:** **\*\* Jun. 4, 2024**

(54) **WATCH CASE WITH WATCHBAND**

(71) Applicant: **CASIO KEISANKI KABUSHIKI KAISHA**, Tokyo (JP)

(72) Inventor: **Keishiro Yamamoto**, Tokyo (JP)

(73) Assignee: **CASIO KEISANKI KABUSHIKI KAISHA**, Tokyo (JP)

(\*\*) Term: **15 Years**

(21) Appl. No.: **29/823,139**

(22) Filed: **Jan. 14, 2022**

(30) **Foreign Application Priority Data**

Oct. 18, 2021 (JP) ..... 2021-022613D

(51) **LOC (14) Cl.** ..... **10-02**

(52) **U.S. Cl.**  
USPC ..... **D10/30; D10/123; D10/132**

(58) **Field of Classification Search**  
USPC ..... D10/30-39, 46, 52-53, 70, 78, 97, 98,  
D10/122-128, 131-132; D11/3, 4, 5, 27,  
D11/84, 87; D13/173-174; D14/138 R,  
D14/203.5, 247, 338-340, 344, 346-347,  
D14/440; D24/167-168; D21/531, 684;  
D22/122

CPC ..... G04G 9/00; G04G 11/00; G04G 13/00;  
G04G 17/00; G04G 17/005; G04G 17/08;  
A61B 5/681; A44C 5/00; A44C 5/16;  
A44C 5/147; A45C 11/12; A45C  
2011/001; A45C 2011/002; A45C  
2011/003; G04B 37/005; G04B 37/0058;  
G04B 37/084; G04B 37/087

See application file for complete search history.

(56) **References Cited**

**U.S. PATENT DOCUMENTS**

D860,835 S \* 9/2019 Kojima ..... D10/70  
D899,272 S \* 10/2020 Hashimoto ..... D10/30

(Continued)

**OTHER PUBLICATIONS**

Casio Watch | amazon.com; date first available Feb. 11, 2021[online].  
© 1996-2023, Amazon.com, Inc [retrieved 5/10/19/2023] from Inter-  
net: <https://www.amazon.ca/Casio-Year-Battery-Khaki-AE-1500WH-  
5AVCF/dp/B08VMTXZP1/ref> (Year: 2021).\*

*Primary Examiner* — Sandra Snapp

*Assistant Examiner* — Molly Loch

(74) *Attorney, Agent, or Firm* — Holtz, Holtz & Volek PC

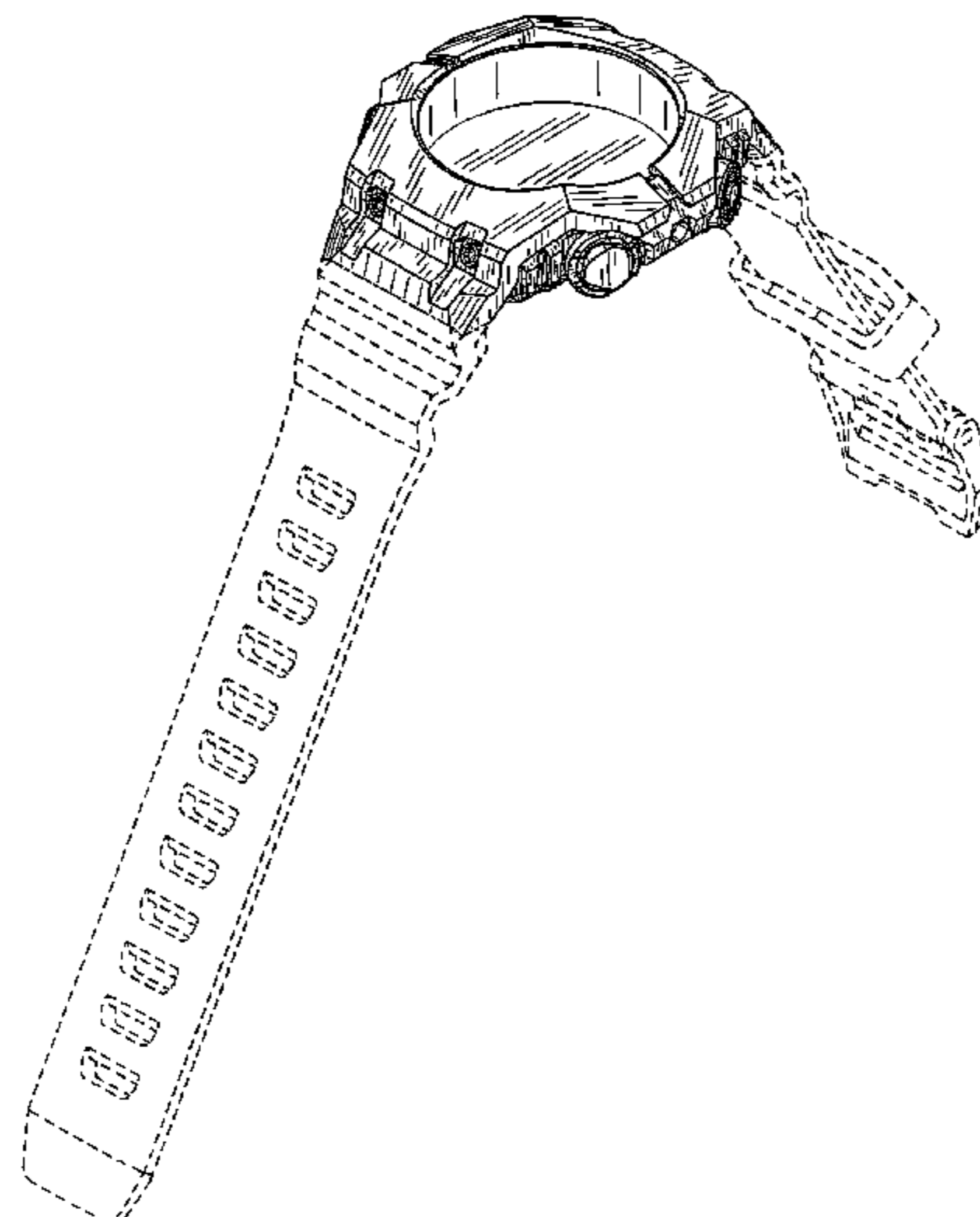
(57) **CLAIM**

The ornamental design for a watch case with watchband, as shown and described.

**DESCRIPTION**

FIG. 1 is a front, right side, bottom perspective view of a watch case with watchband showing my new design; FIG. 2 is a front elevational view thereof; FIG. 3 is a rear elevational view thereof; FIG. 4 is a left side view thereof; FIG. 5 is a right side view thereof; FIG. 6 is a top plan view thereof; FIG. 7 is a bottom plan view thereof; FIG. 8 is a partially enlarged front elevational view thereof; FIG. 9 is a partially enlarged rear elevational view thereof; FIG. 10 is a partially enlarged left side view thereof; FIG. 11 is a partially enlarged right side view thereof; FIG. 12 is a partially enlarged top plan view thereof; FIG. 13 is a partially enlarged bottom plan view thereof; and, FIG. 14 is a partially enlarged perspective view thereof. The broken lines illustrating the watchband form no part of the claimed design. The long and short dashed lines represent the boundary of the claimed design.

**1 Claim, 13 Drawing Sheets**



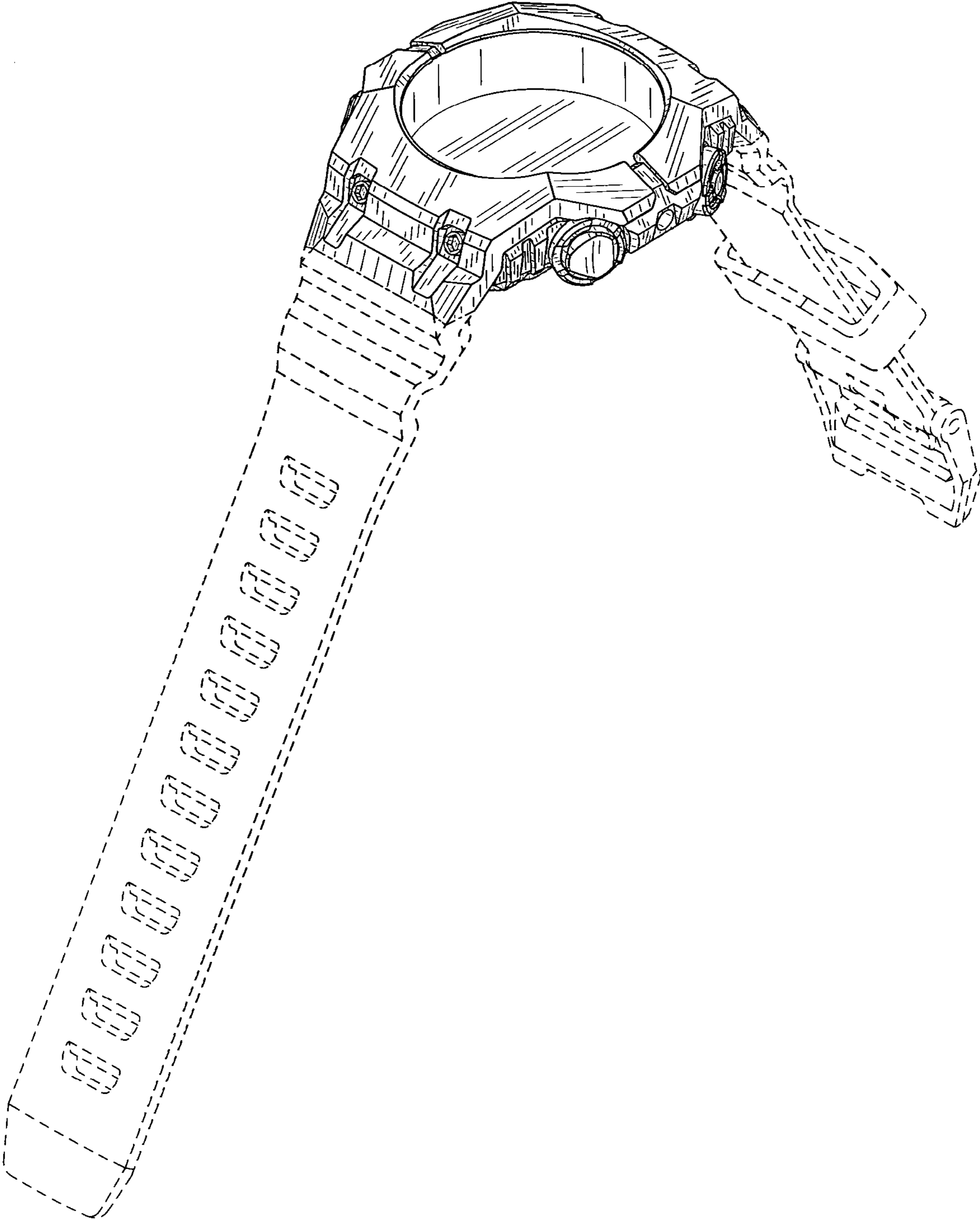
(56)

**References Cited**

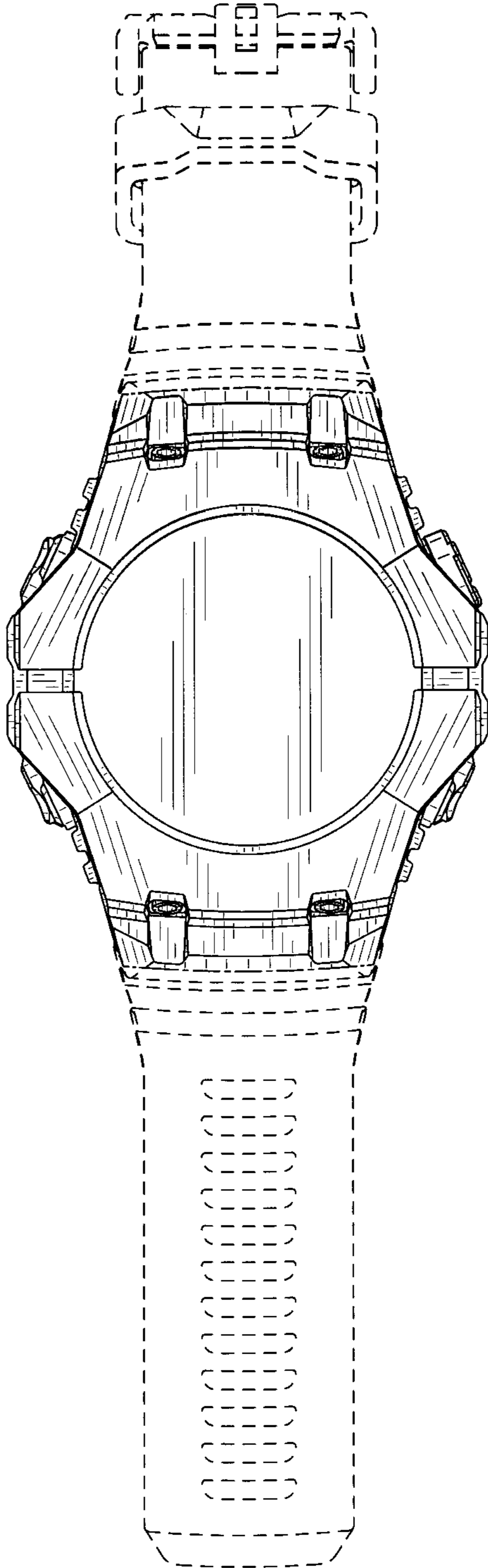
U.S. PATENT DOCUMENTS

D924,076	S	*	7/2021	Hashimoto	.....	D10/30
D924,077	S	*	7/2021	Suzuki	.....	D10/30
D927,326	S	*	8/2021	Hashimoto	.....	D10/38
D929,243	S	*	8/2021	Xu	.....	D14/344
D934,699	S	*	11/2021	Matsuda	.....	D10/30
D936,051	S	*	11/2021	Yamamoto	.....	D14/344
D938,417	S	*	12/2021	Yamamoto	.....	D14/344
D986,068	S	*	5/2023	Hamaue	.....	D10/30
D986,069	S	*	5/2023	Aoki	.....	D10/30
D997,743	S	*	9/2023	Wu	.....	D14/344
11,789,409	B2	*	10/2023	Hata	.....	G04B 37/05 368/286

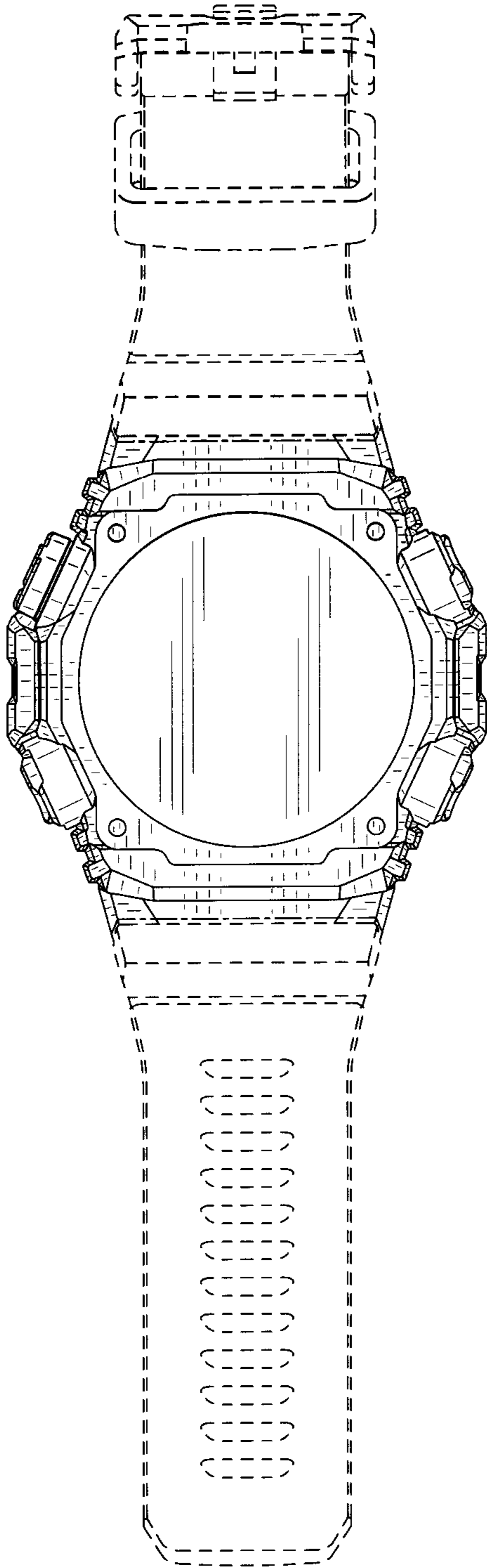
\* cited by examiner



**FIG. 1**



**FIG. 2**



**FIG. 3**

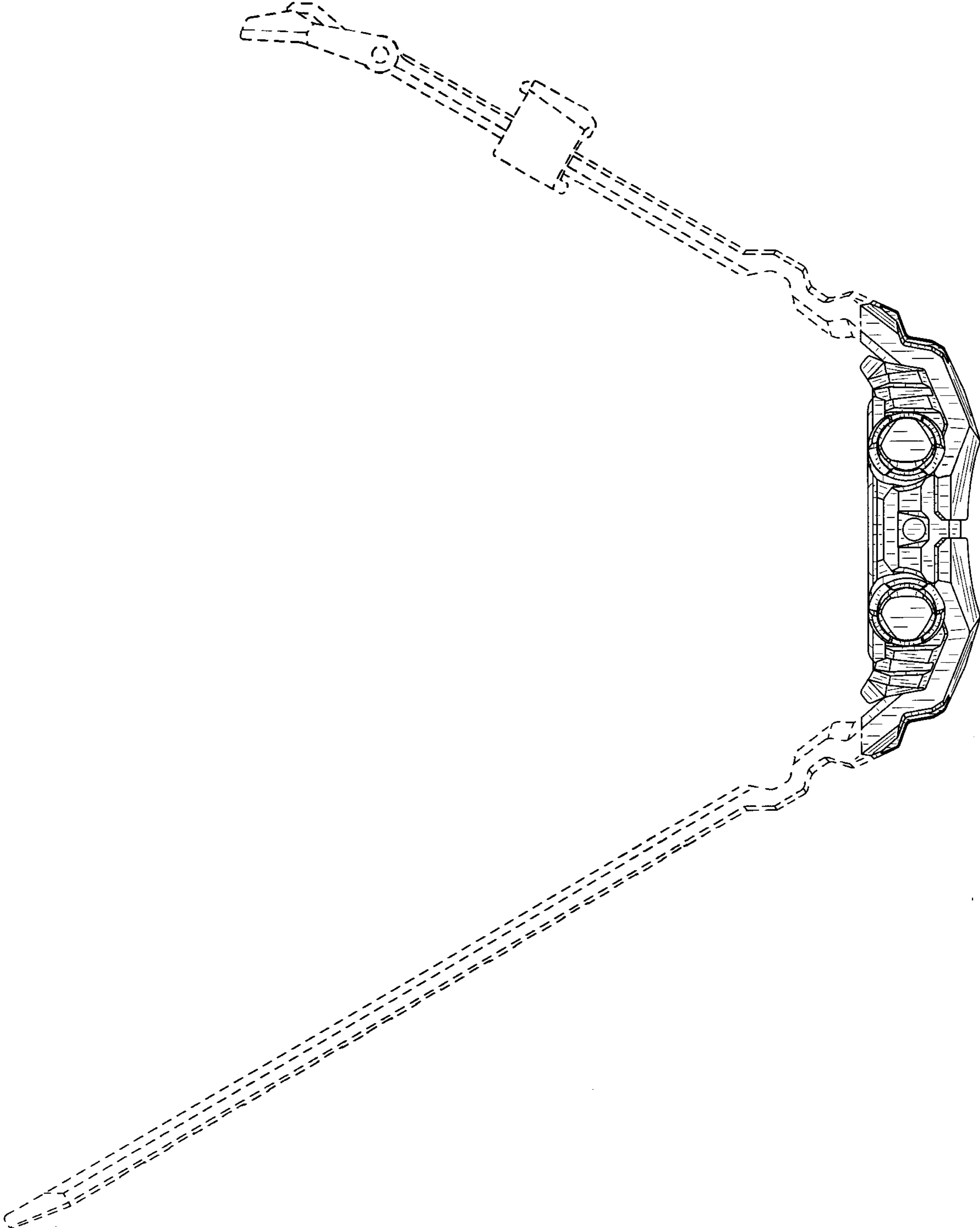


FIG. 4

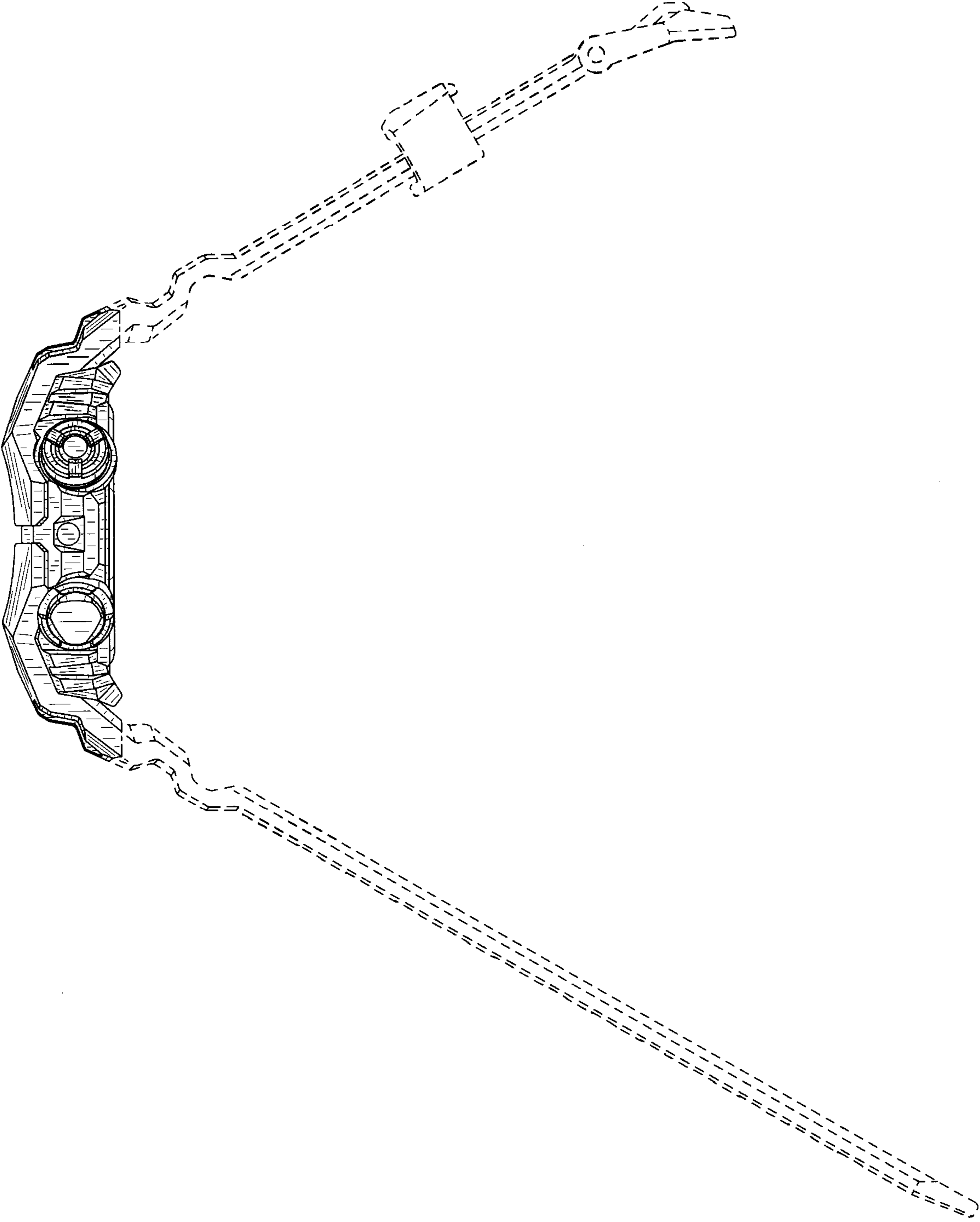
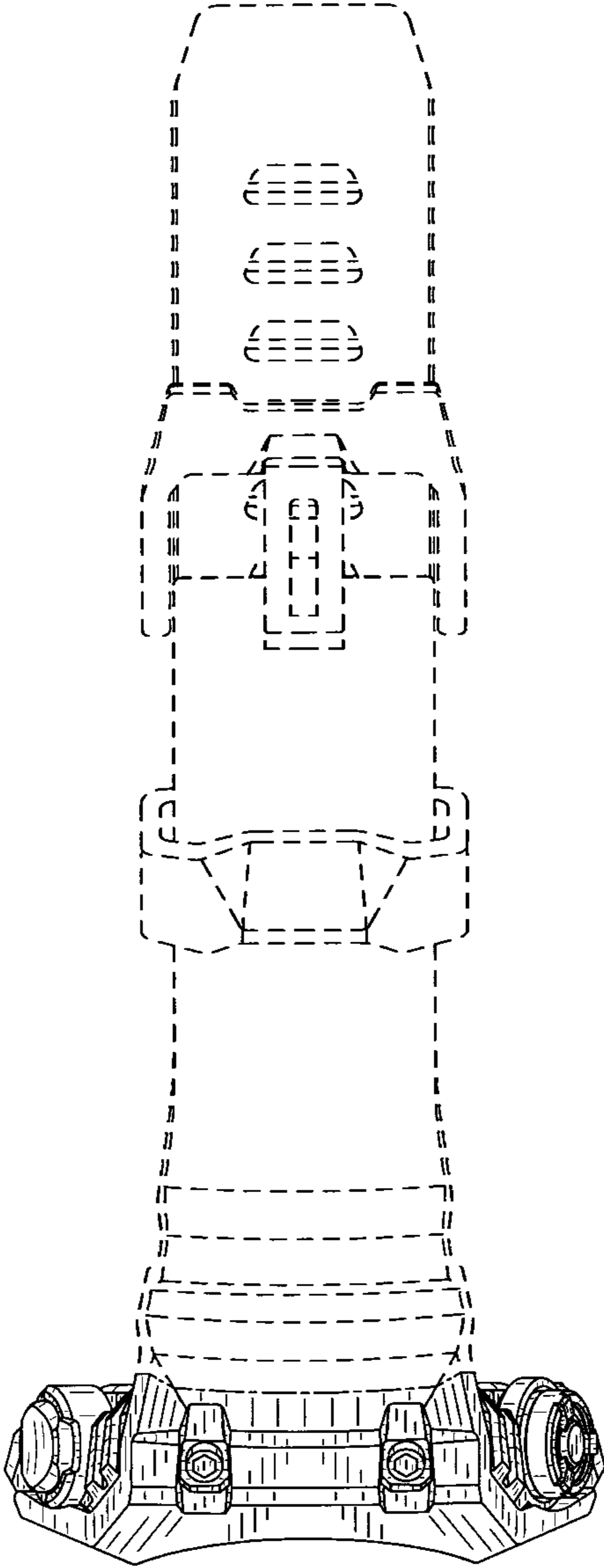
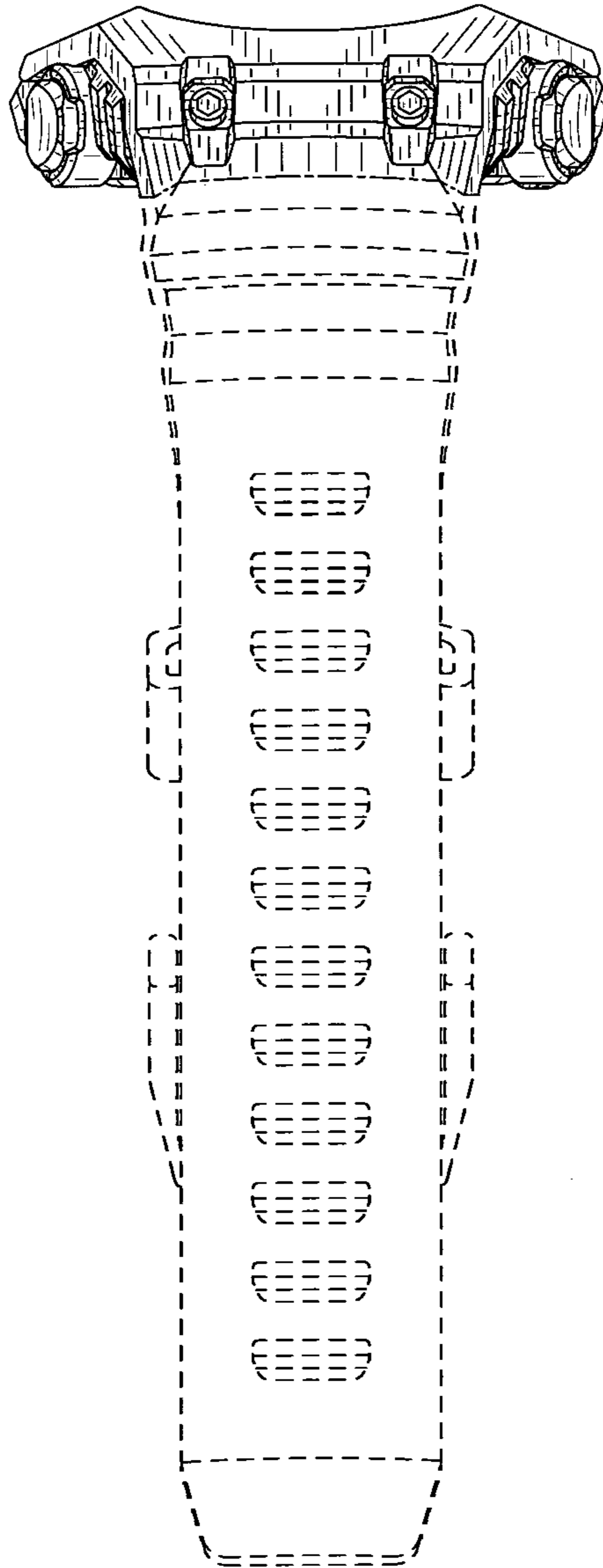


FIG. 5

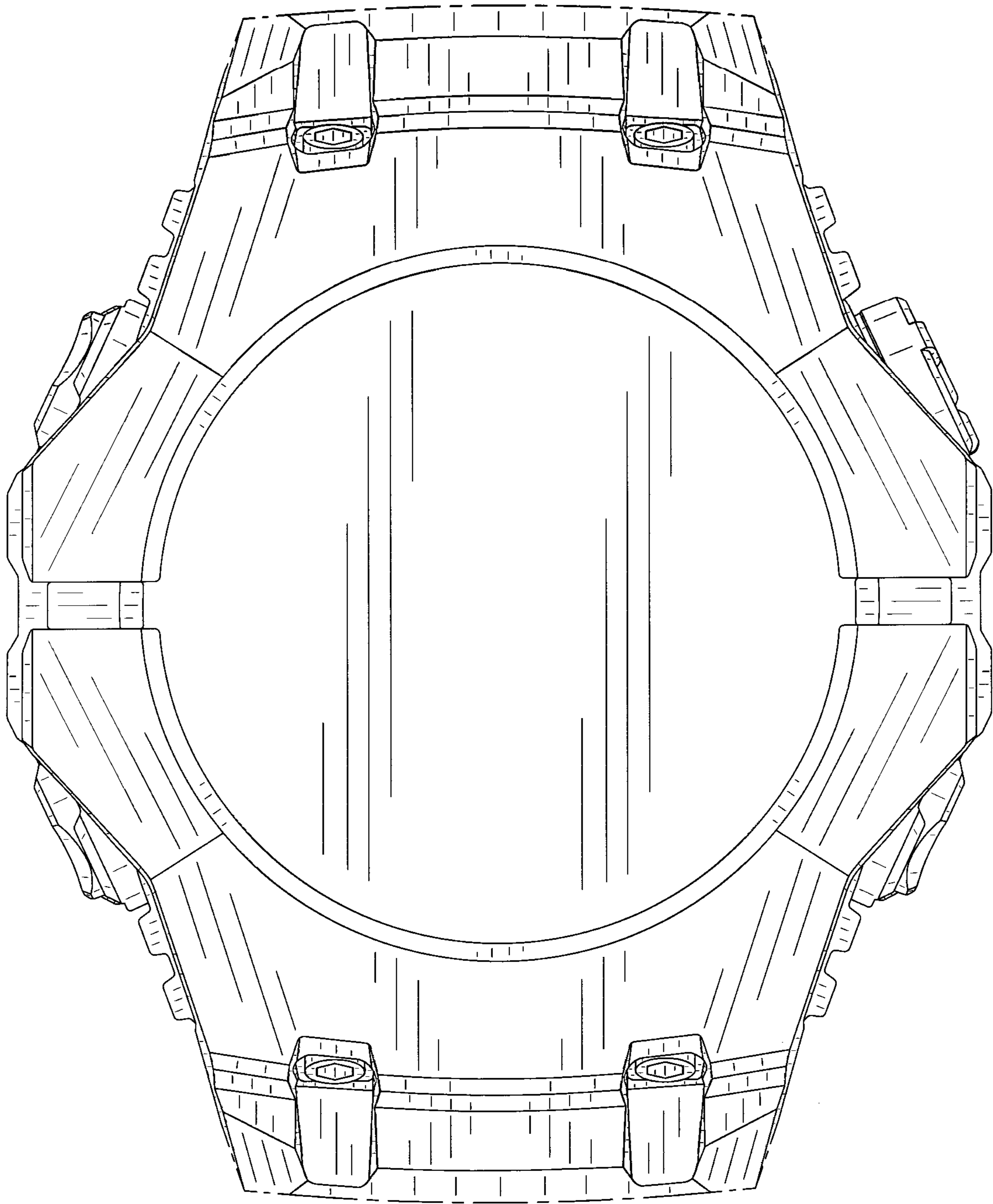


**FIG. 6**

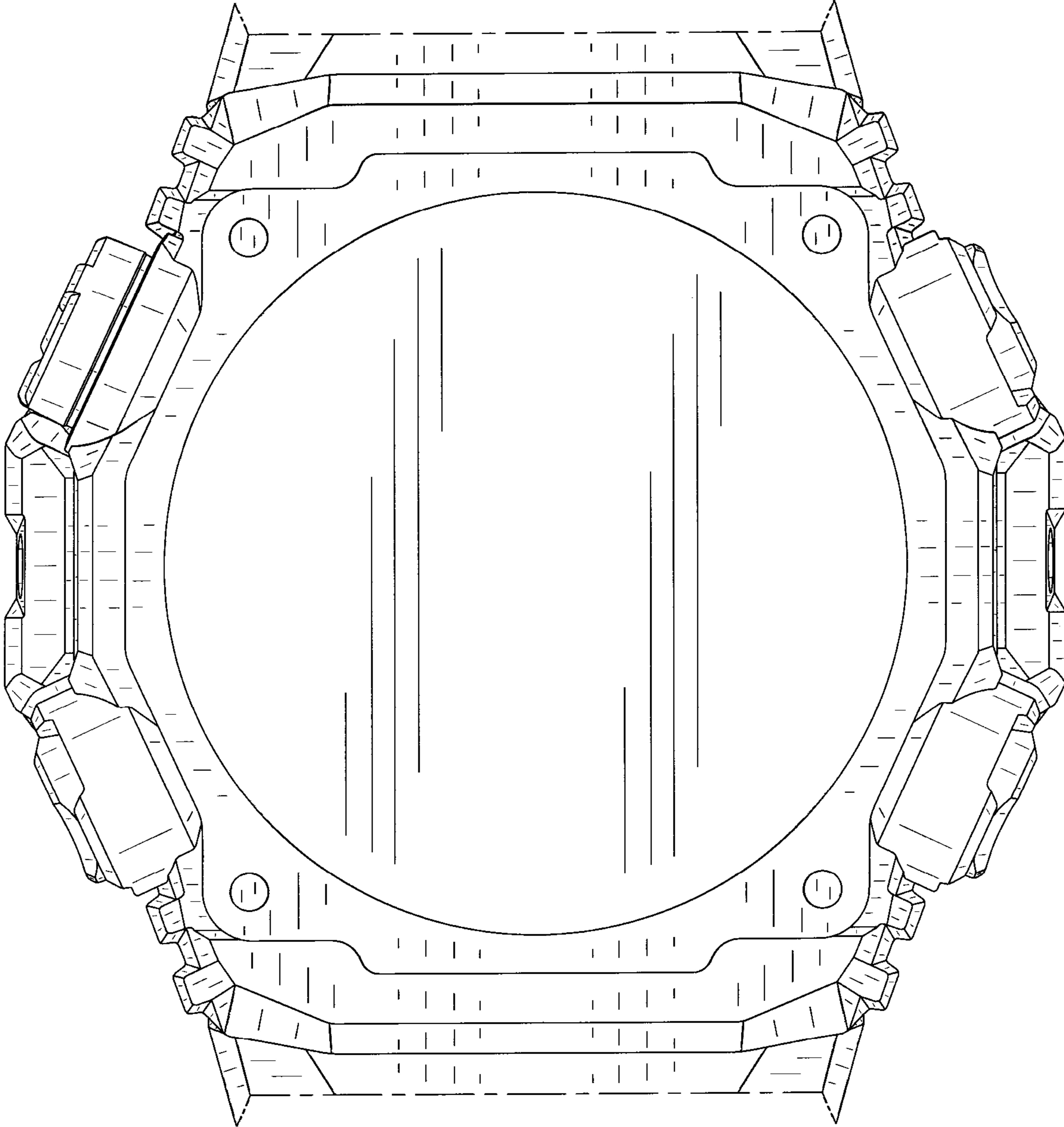




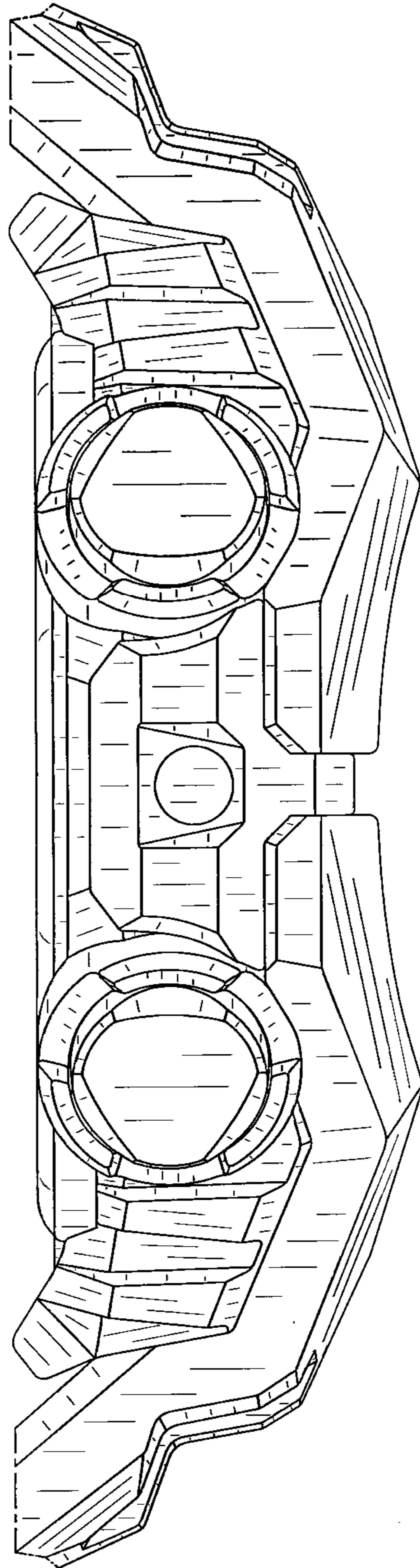
**FIG. 7**



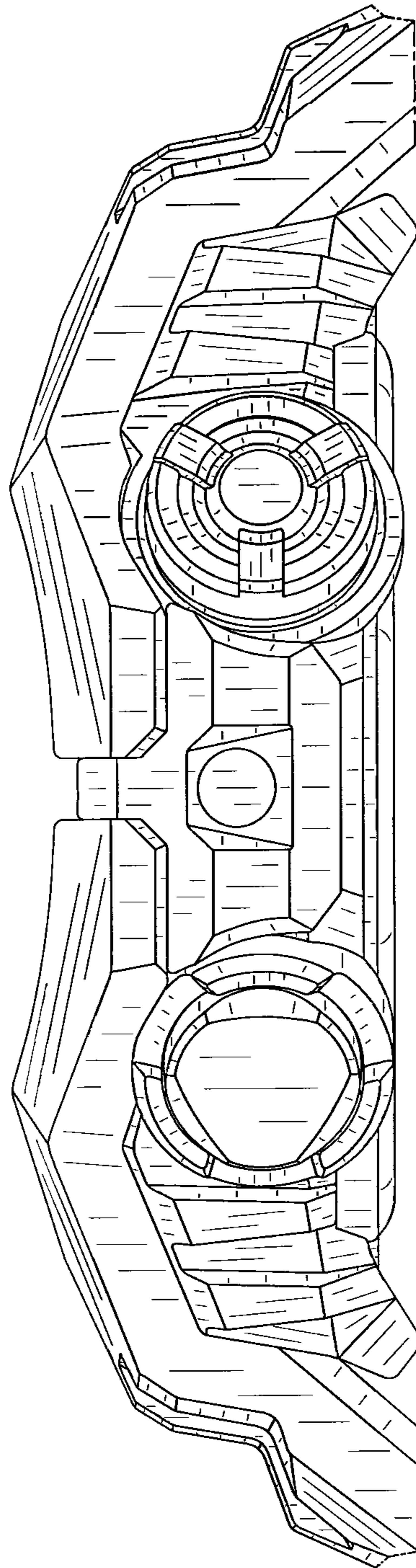
**FIG. 8**



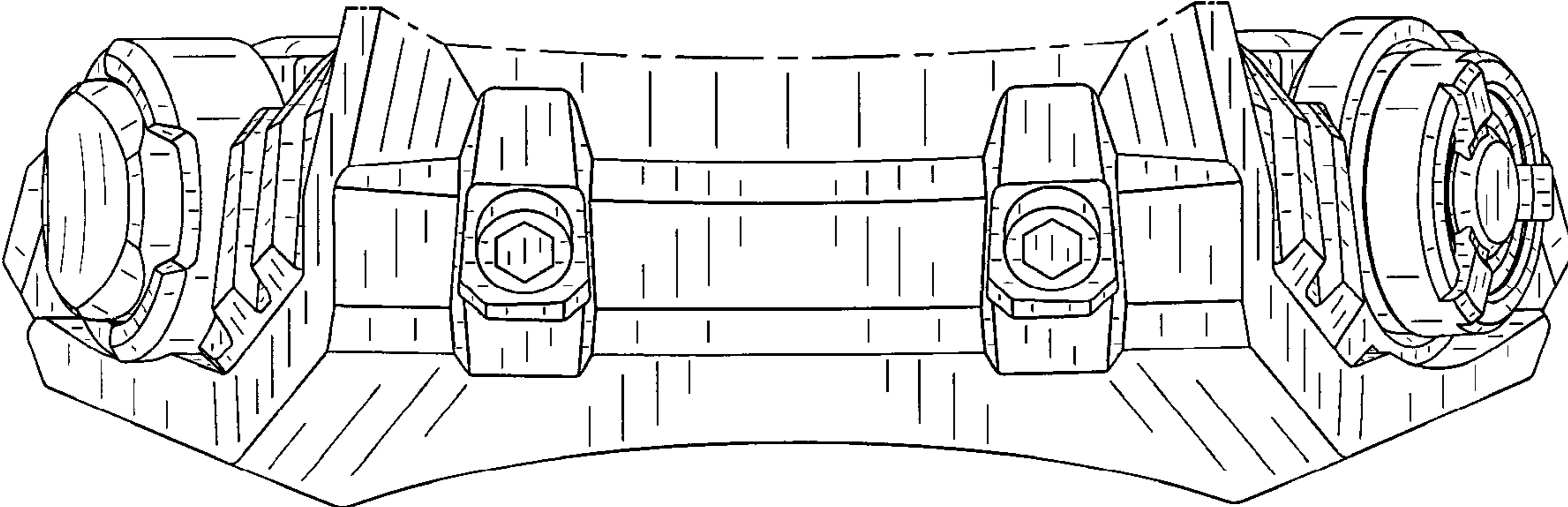
**FIG. 9**



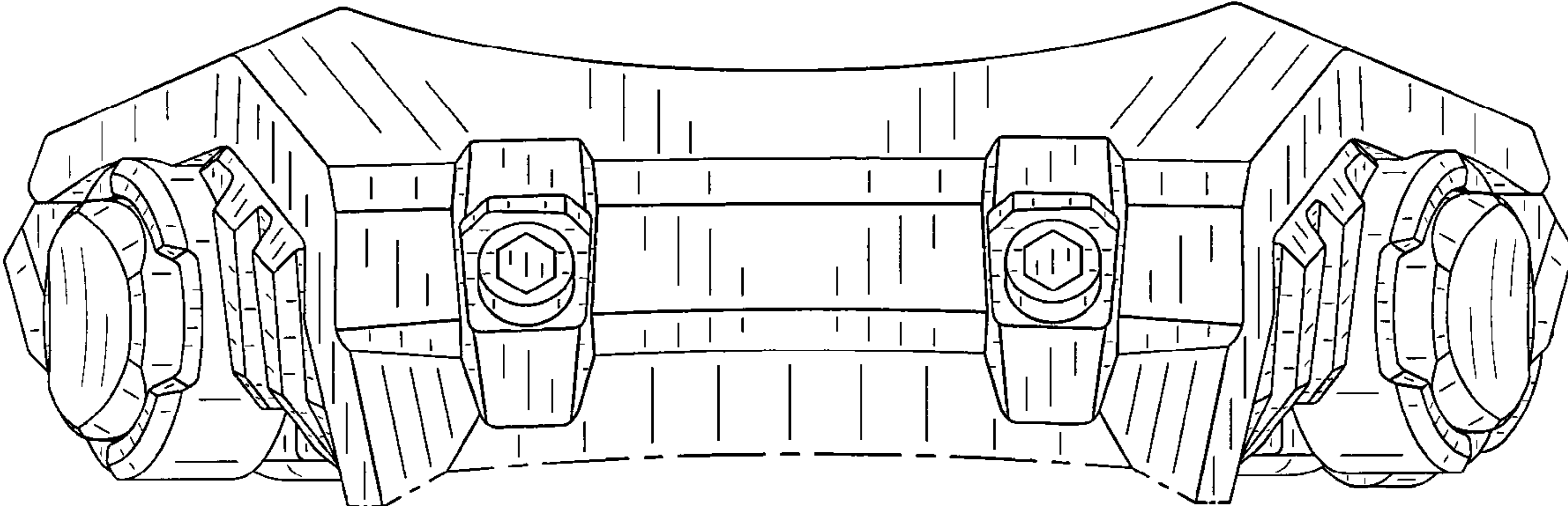
**FIG. 10**



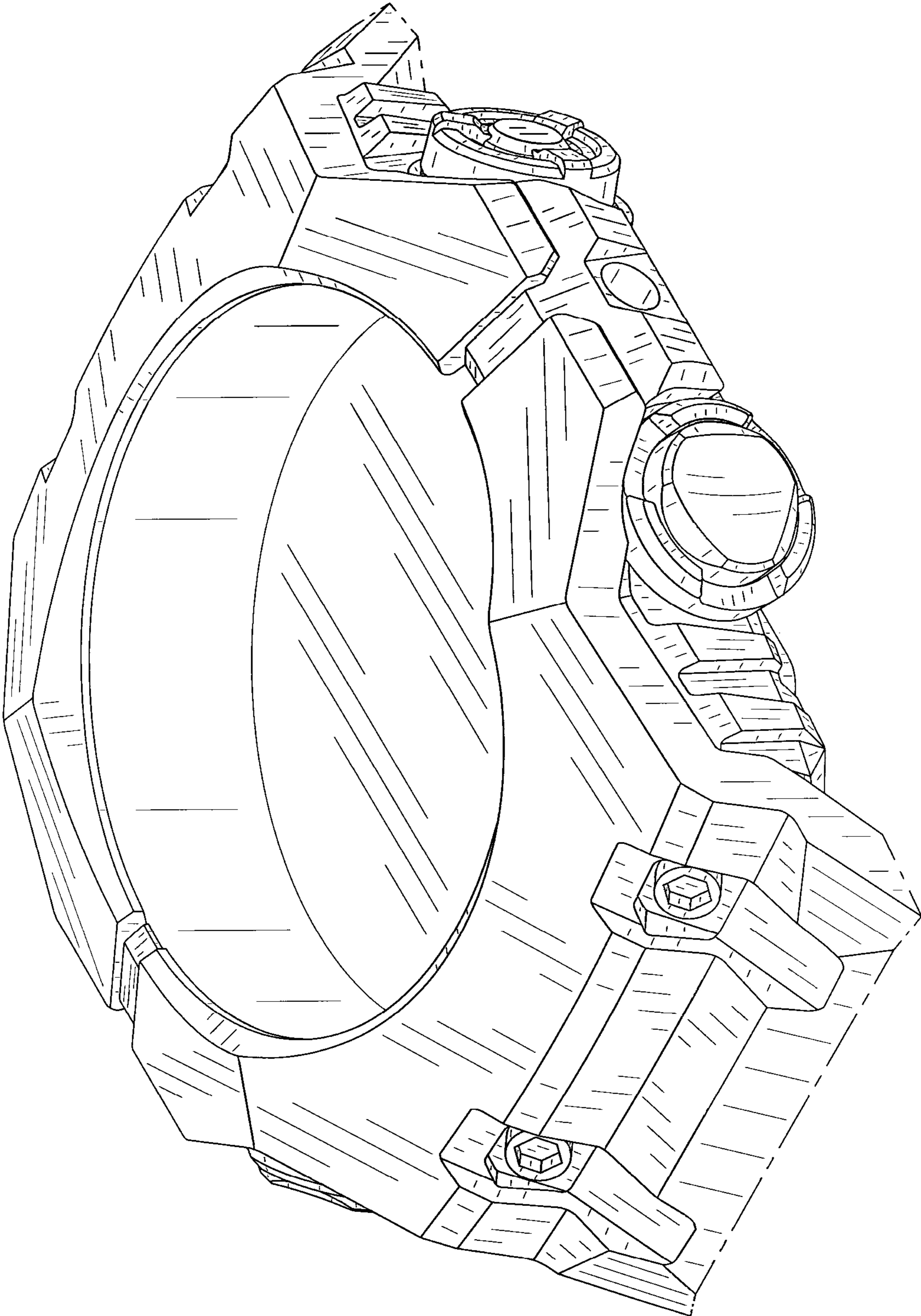
**FIG. 11**



**FIG. 12**



**FIG. 13**



**FIG. 14**