

US0D1029603S

(12) **United States Design Patent** (10) **Patent No.:** **US D1,029,603 S**
Gillenwater (45) **Date of Patent:** **** Jun. 4, 2024**

(54) **BAR HANDLE**

(71) Applicant: **Jill Kiplyn Gillenwater**, Cathedral City, CA (US)

(72) Inventor: **Jill Kiplyn Gillenwater**, Cathedral City, CA (US)

(**) Term: **15 Years**

(21) Appl. No.: **29/838,576**

(22) Filed: **May 13, 2022**

(51) **LOC (14) Cl.** **08-05**

(52) **U.S. Cl.**
USPC **D8/71; D8/107**

(58) **Field of Classification Search**
USPC D7/359-361, 391, 393, 395, 402, 405, D7/406, 682; D8/107, 300, 307, 320
CPC B65D 25/2802; B65D 25/2882; B65D 25/2885; B65D 25/2888; B65D 25/2894
See application file for complete search history.

(56) **References Cited**

U.S. PATENT DOCUMENTS

D574,213 S *	8/2008	Linares	D8/306
D618,973 S *	7/2010	Gosselin	D8/107
D632,157 S *	2/2011	Le	D8/306
D664,020 S *	7/2012	Kopp	D8/107
D720,593 S *	1/2015	Singh	D8/107
D782,894 S *	4/2017	DePietro	D8/107
D848,814 S *	5/2019	Reese	D8/107
D859,122 S *	9/2019	Masalin	D8/107

D859,965 S *	9/2019	Borloz	D8/380
D863,903 S *	10/2019	Hua	D8/107
D872,546 S *	1/2020	Landreville	D8/107
D882,370 S *	4/2020	Roberts	D8/107
D889,241 S *	7/2020	Kresge	D8/69
D890,593 S *	7/2020	Sagehorn	D8/107

* cited by examiner

Primary Examiner — Keli L Hill

Assistant Examiner — Harold E Blackwell, II

(74) *Attorney, Agent, or Firm* — Mestechkin Law Group P.C.

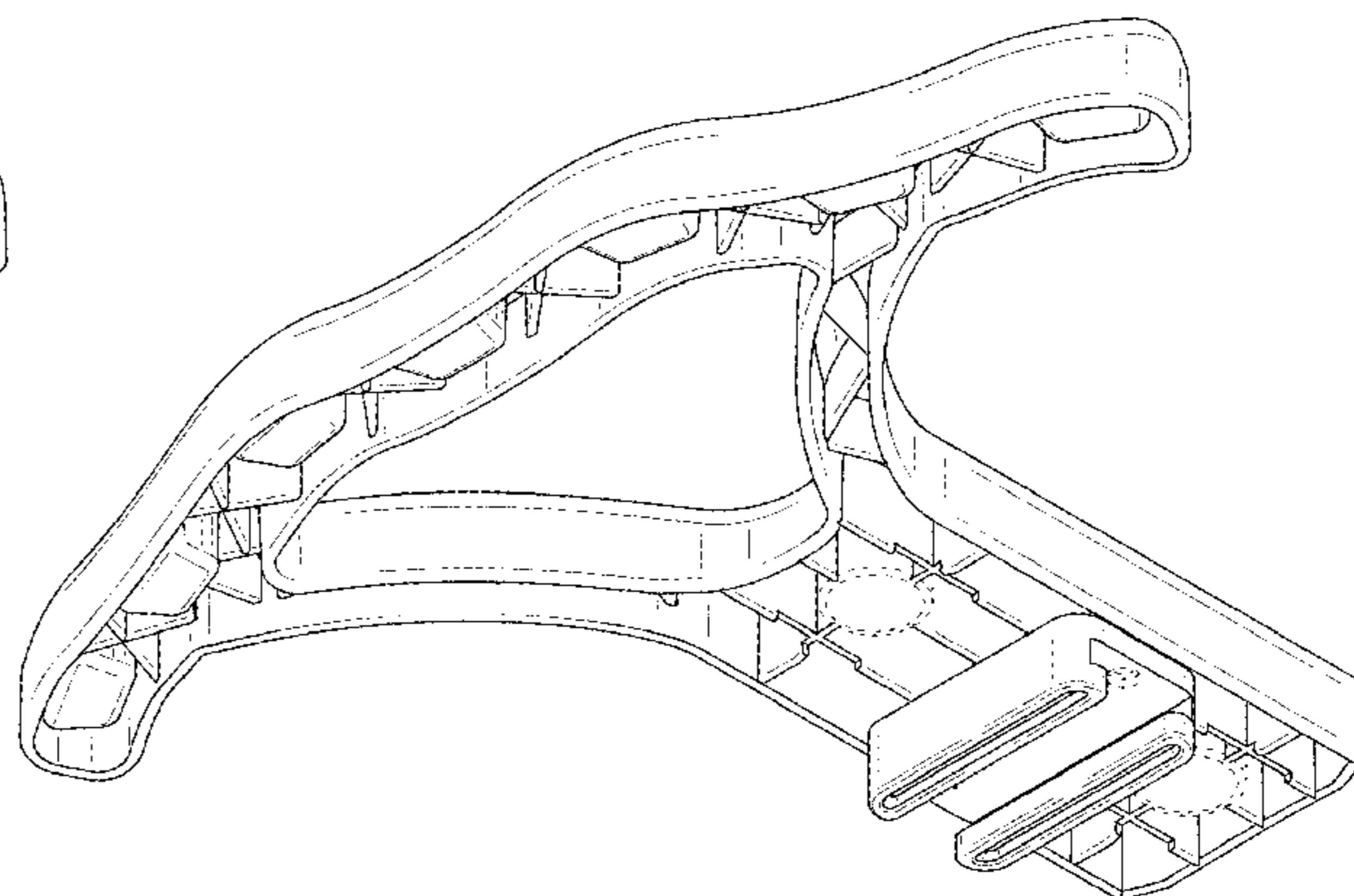
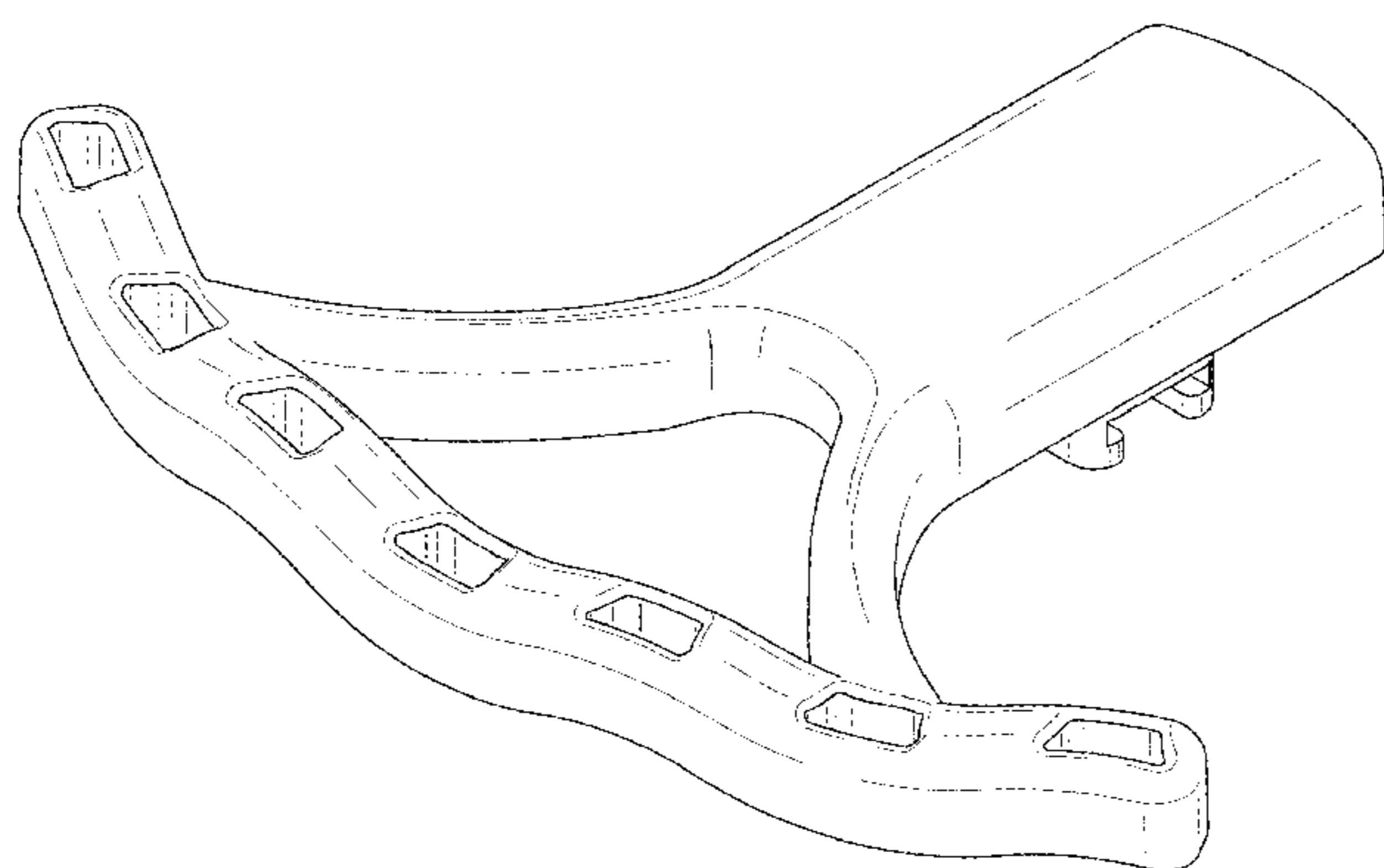
(57) **CLAIM**

The ornamental design for a bar handle, as shown and described.

DESCRIPTION

FIG. 1 is a top front right side perspective view of the bar handle showing of my new design;
FIG. 2 is a bottom rear left side perspective view thereof;
FIG. 3 is a top rear left side perspective view thereof;
FIG. 4 is a bottom front right side perspective view thereof;
FIG. 5 is a front view thereof;
FIG. 6 is a rear view thereof;
FIG. 7 is a left view thereof;
FIG. 8 is a right view thereof;
FIG. 9 is a top view thereof; and,
FIG. 10 is a bottom view thereof.
The broken lines in the drawings illustrate portions of the bar handle which form no part of the claimed design.

1 Claim, 8 Drawing Sheets



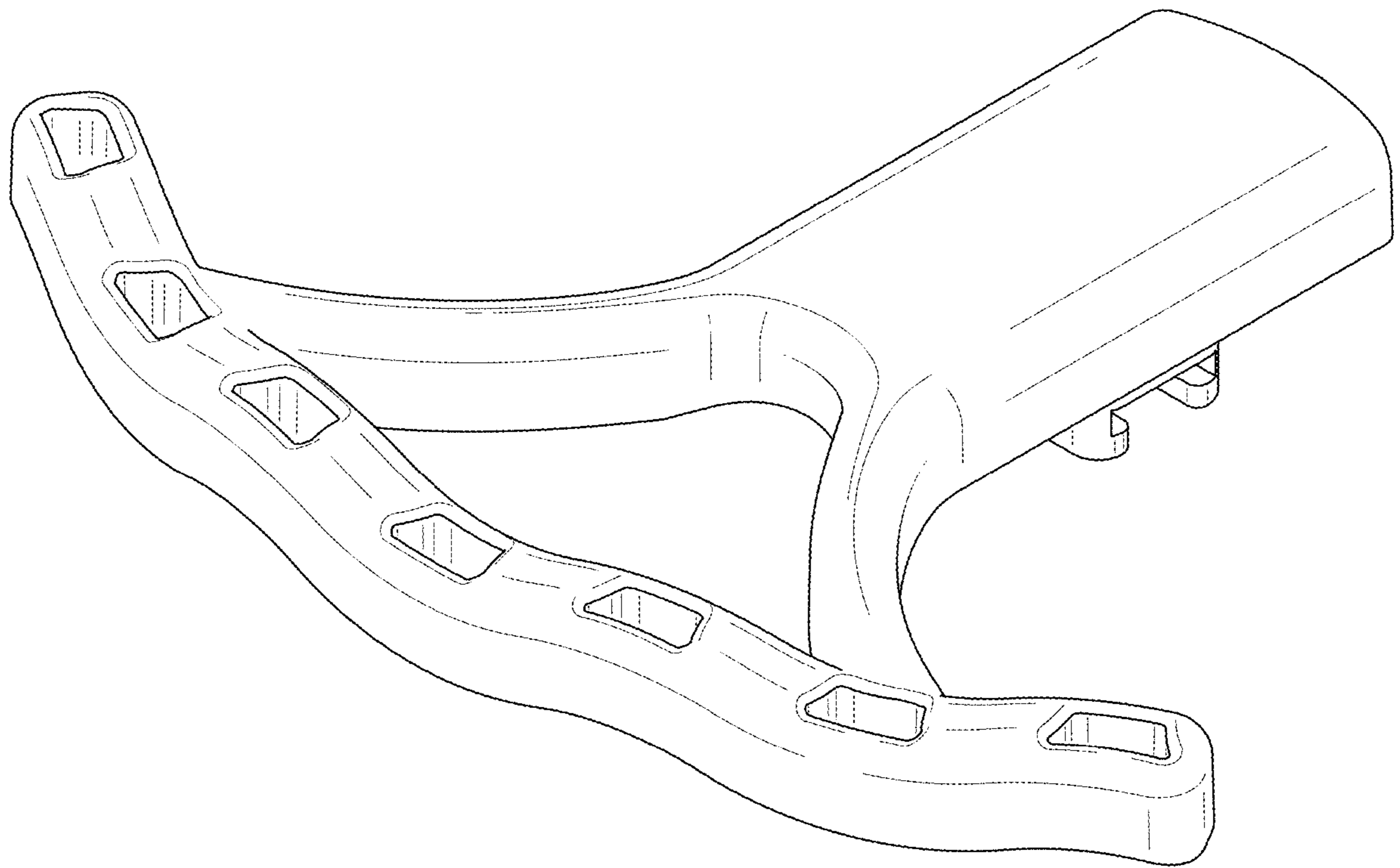


FIG. 1

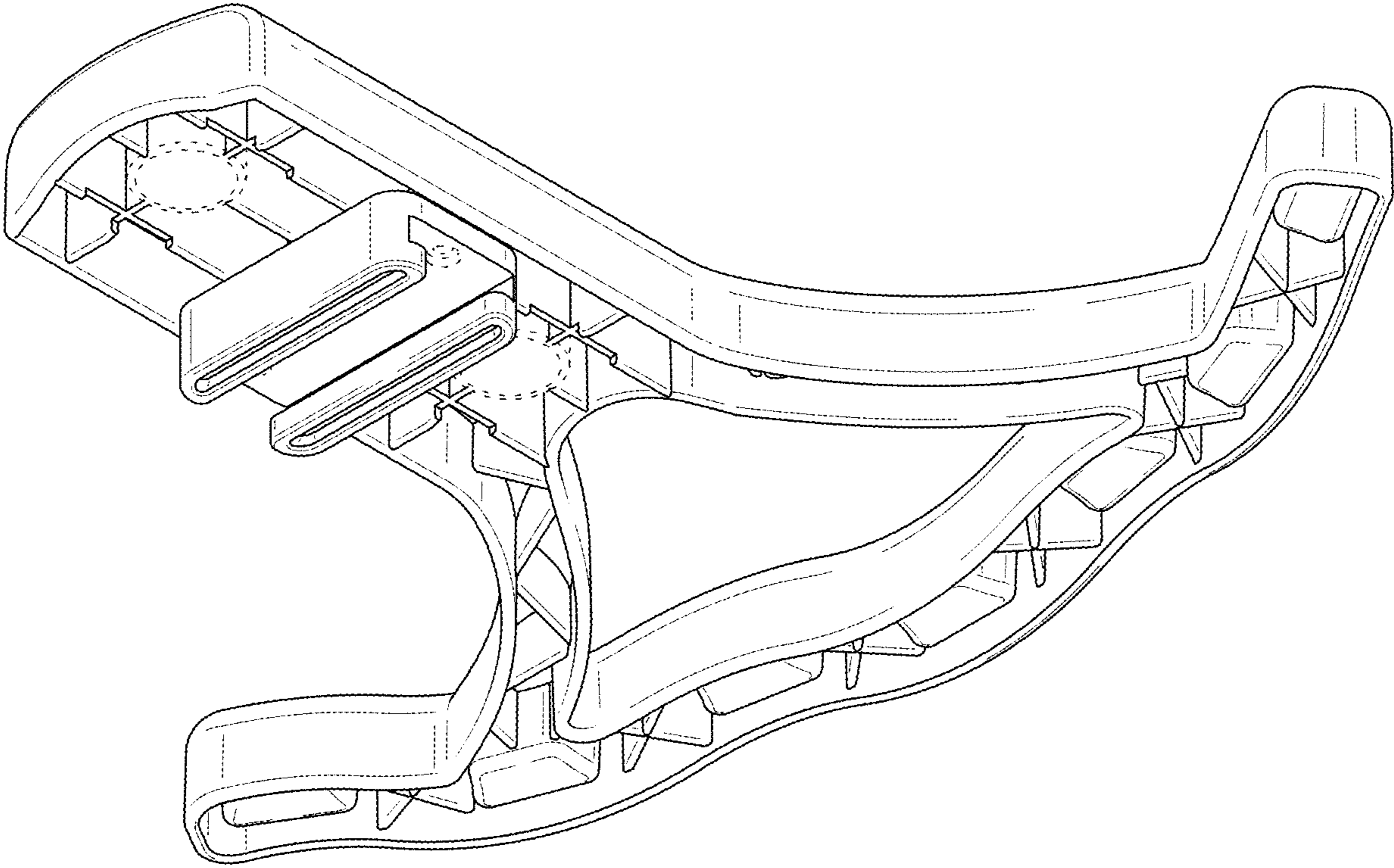


FIG. 2

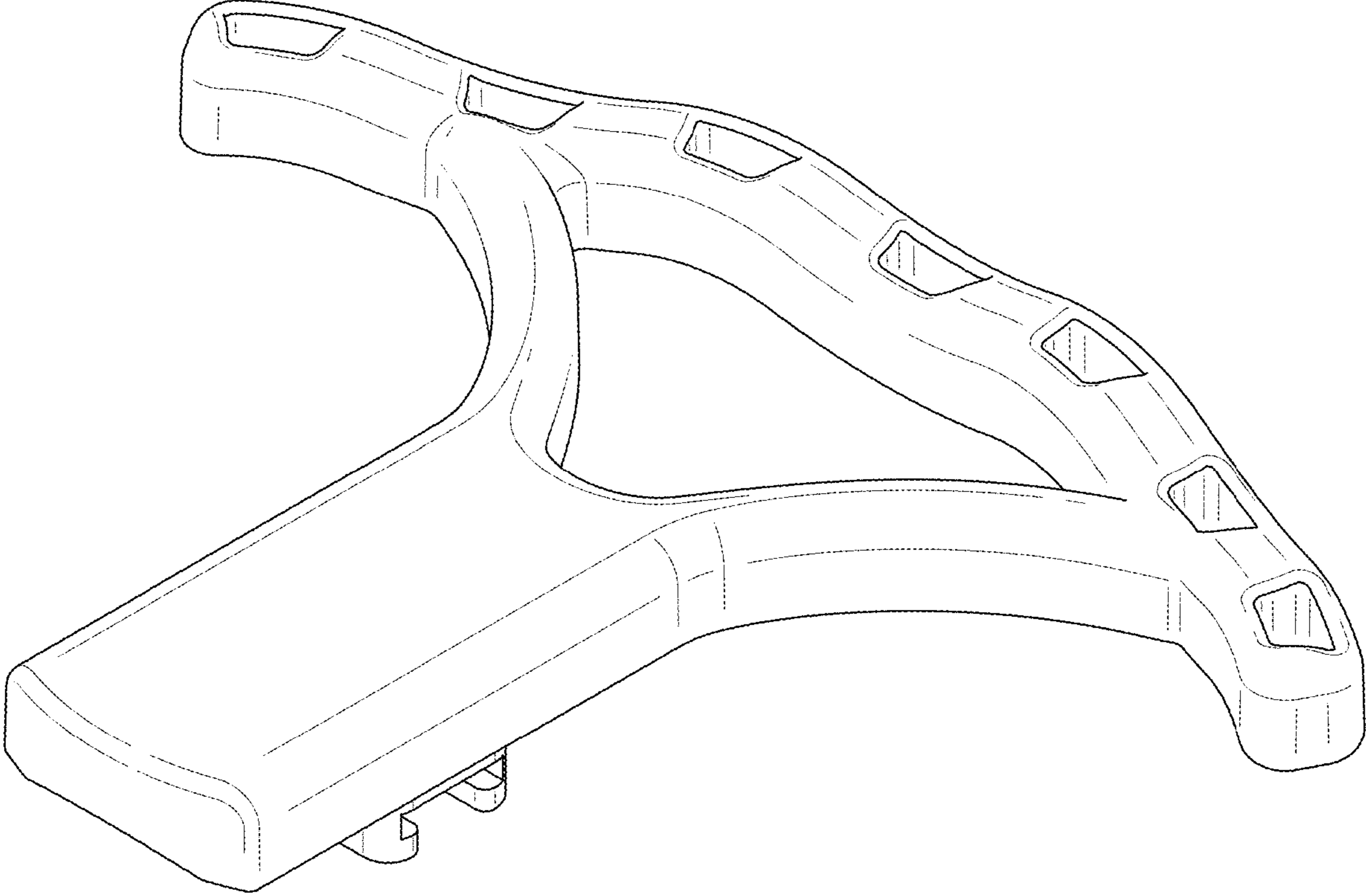


FIG. 3

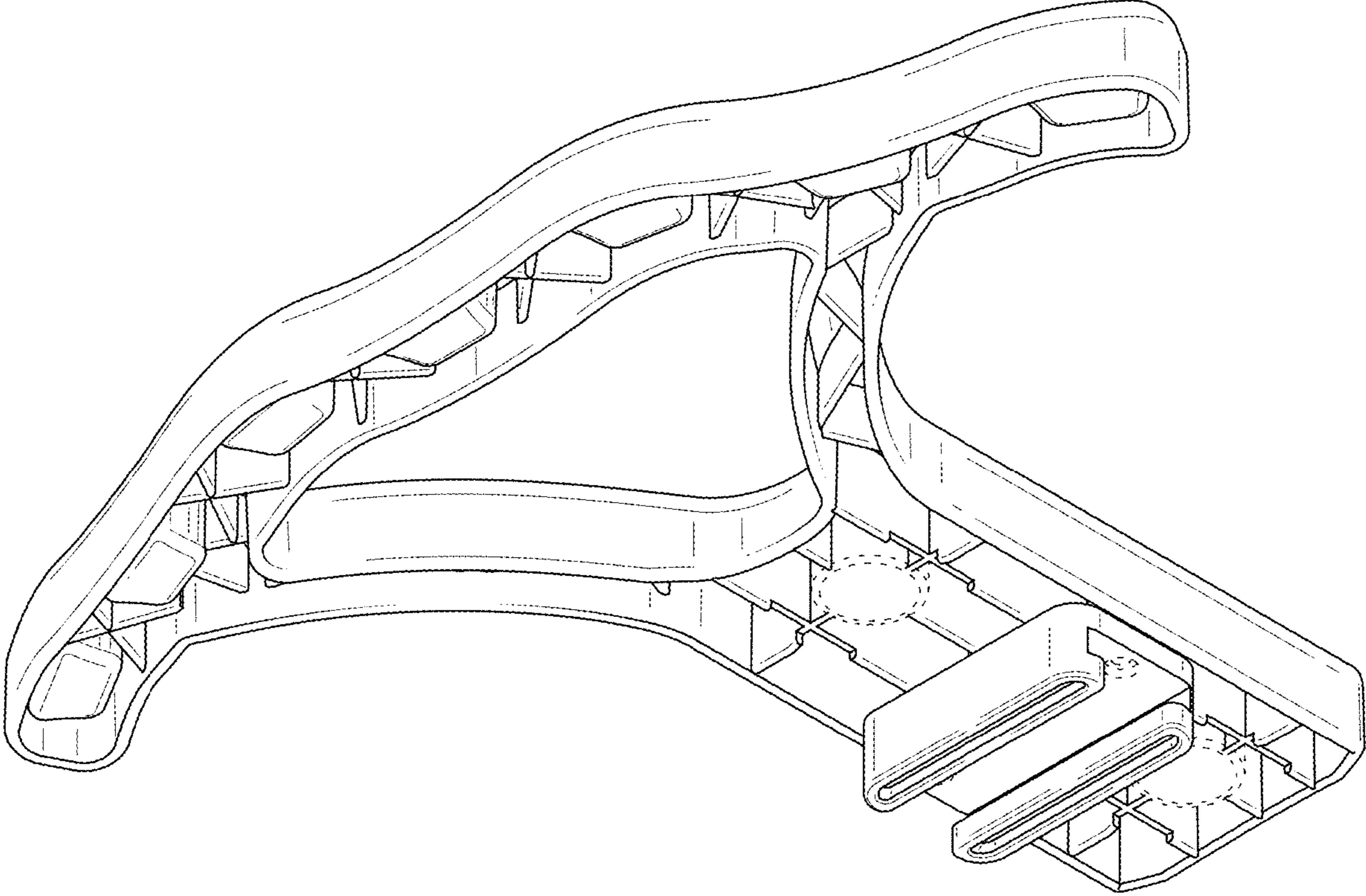


FIG. 4

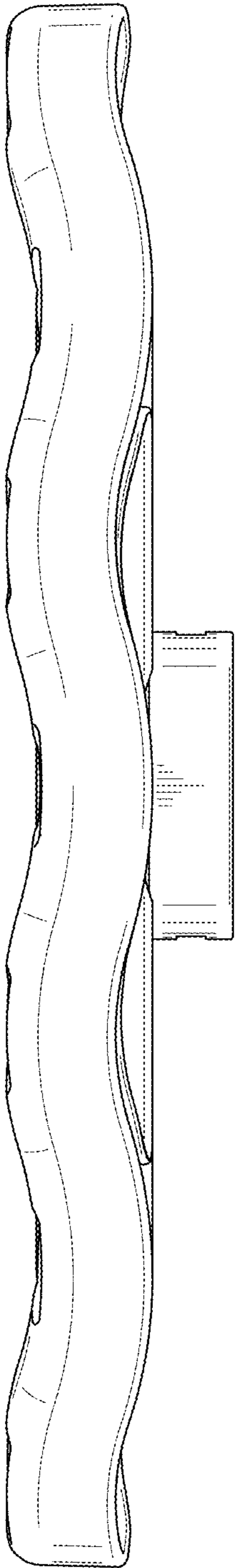


FIG. 5

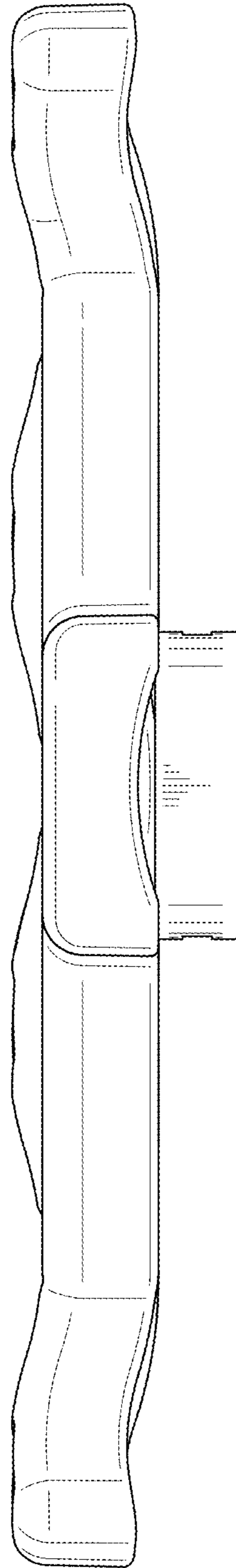


FIG. 6

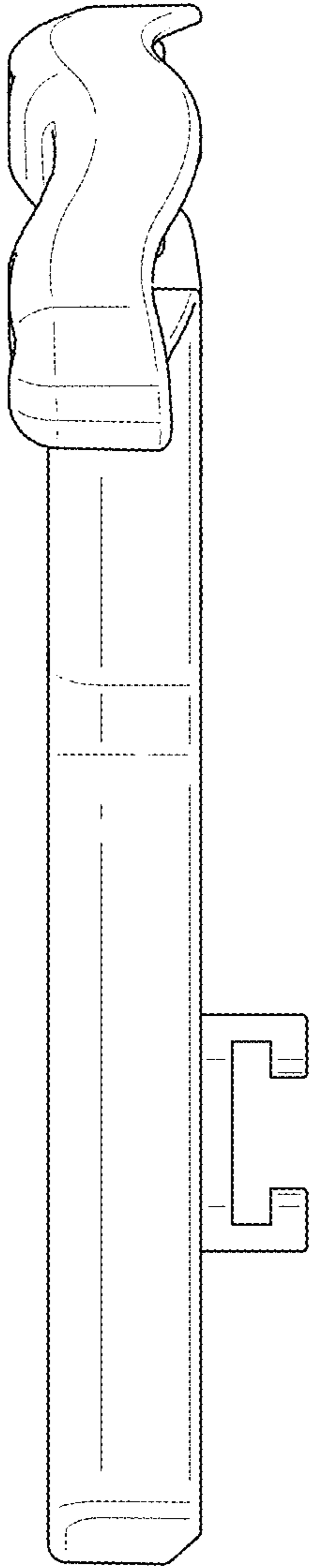


FIG. 7

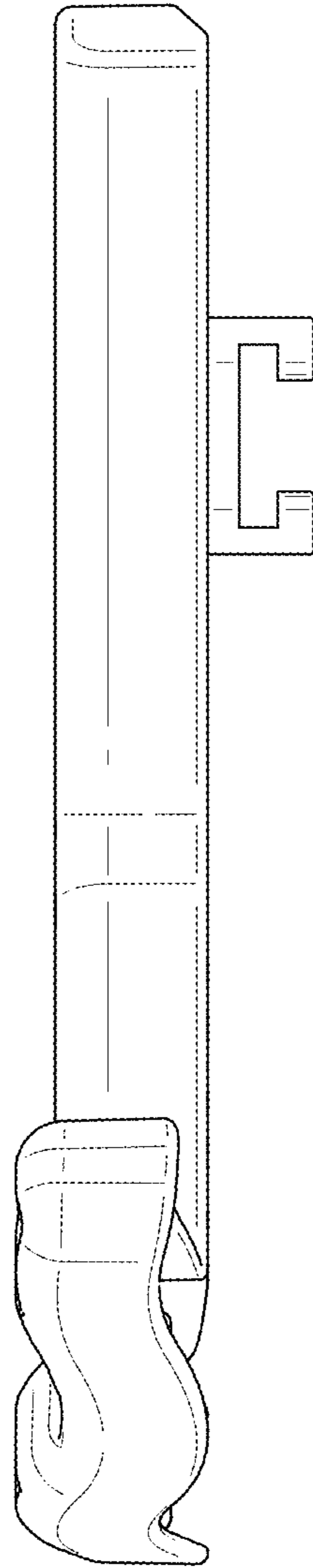


FIG. 8

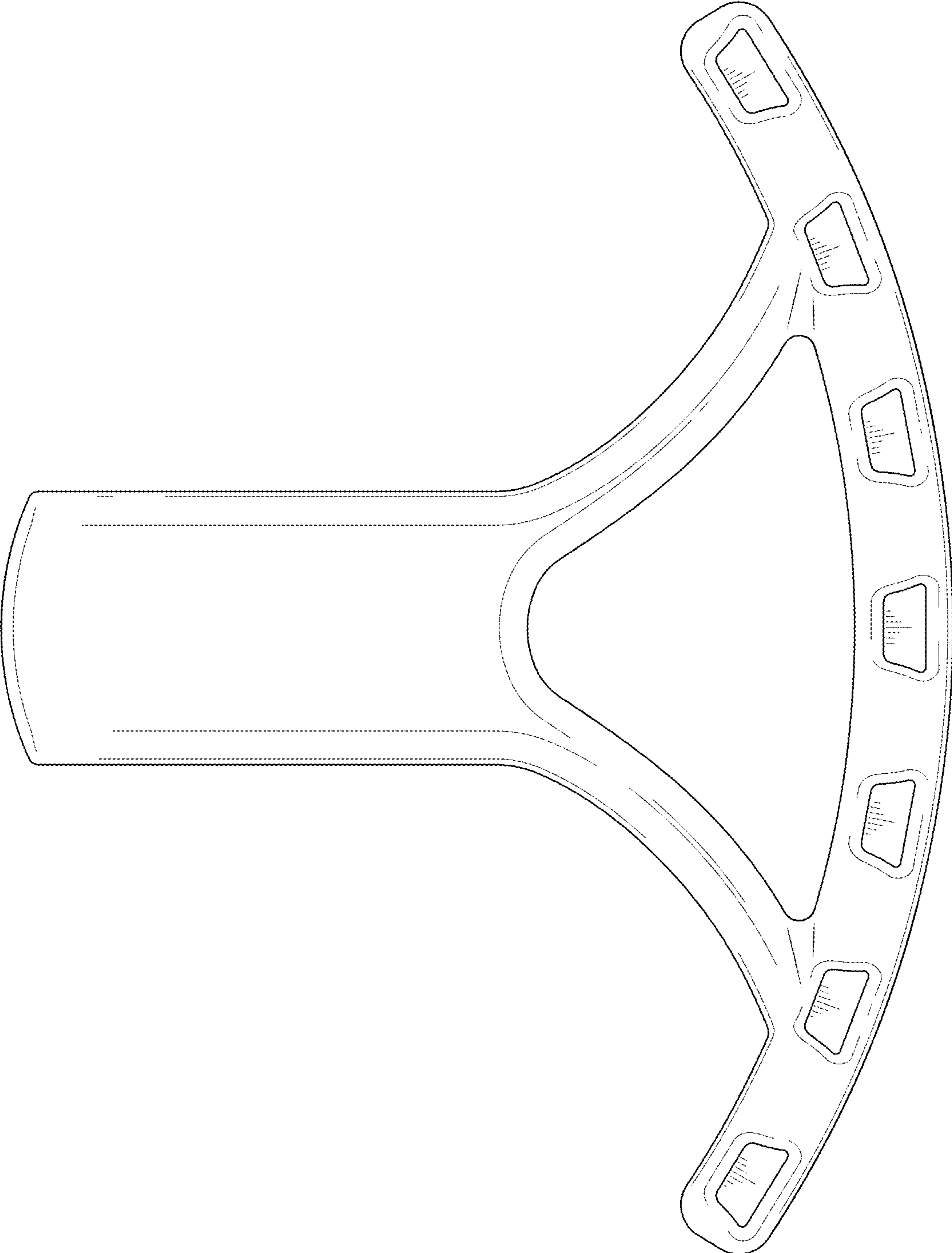


FIG. 9

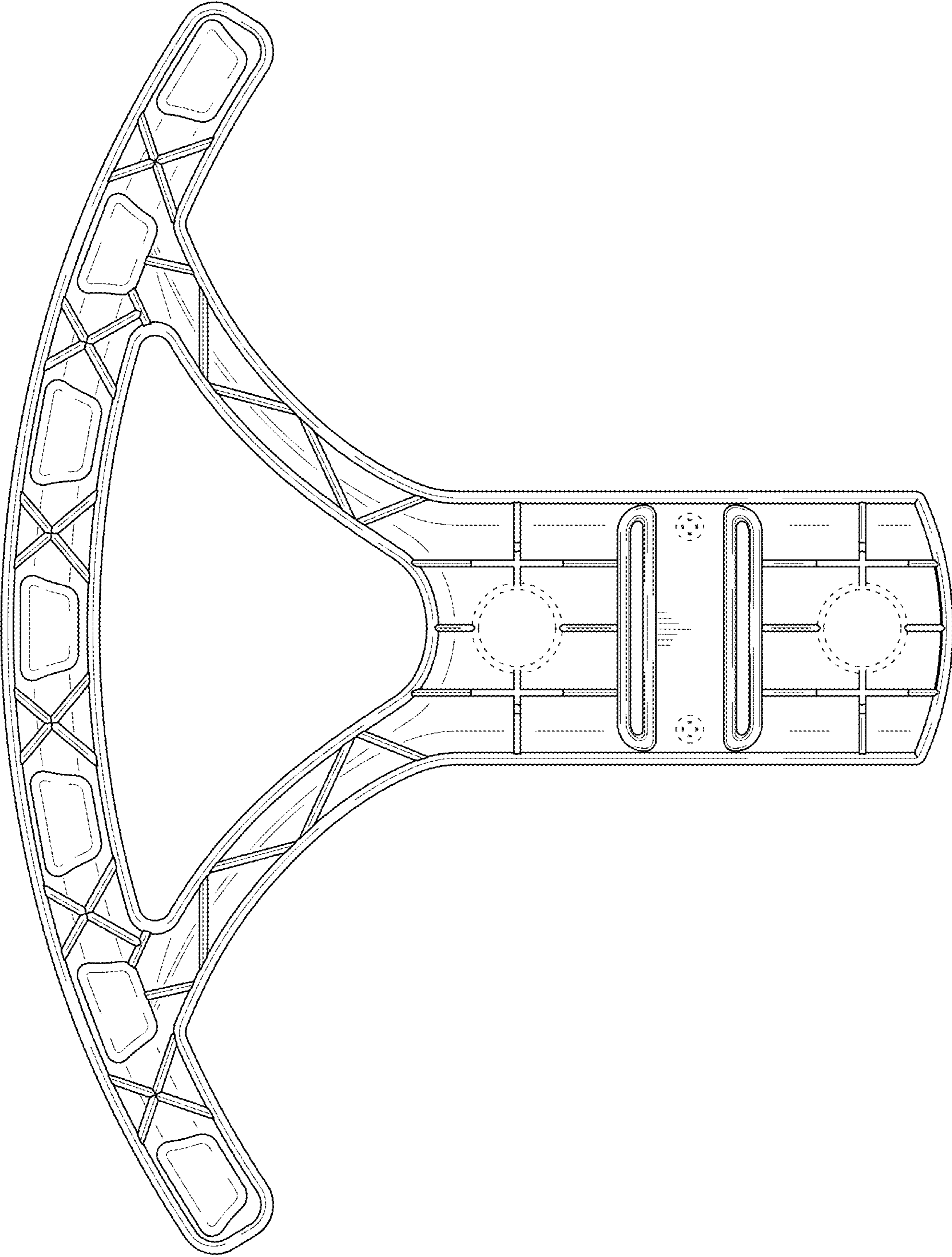


FIG. 10