



US0D1029536S

(12) **United States Design Patent**  
**Fuerstner**

(10) **Patent No.:** **US D1,029,536 S**

(45) **Date of Patent:** **\*\* Jun. 4, 2024**

(54) **SECURITY SHEET**

(71) Applicant: **Helmut Fuerstner**, Ewing, NJ (US)

(72) Inventor: **Helmut Fuerstner**, Ewing, NJ (US)

(\*\*) Term: **15 Years**

(21) Appl. No.: **29/915,707**

(22) Filed: **Nov. 2, 2023**

D887,177 S *	6/2020	Amoyal .....	D6/603
D891,816 S *	8/2020	Demkiw .....	D6/603
D898,448 S *	10/2020	Waggoner .....	D6/602
D948,895 S *	4/2022	Tsalikis .....	D6/603
D968,850 S *	11/2022	Yao .....	D6/602
D995,159 S *	8/2023	Patrick .....	D6/608
D999,571 S *	9/2023	Spillane .....	A63B 67/06

			D21/303	
2009/0055989	A1 *	3/2009	Chih .....	A41D 31/12
				2/84
2021/0007559	A1 *	1/2021	DiVirgilio .....	A45D 44/08

(Continued)

**Related U.S. Application Data**

(63) Continuation-in-part of application No. 29/854,039, filed on Sep. 21, 2022, now abandoned.

(51) **LOC (14) Cl.** ..... **06-09**

(52) **U.S. Cl.**  
USPC ..... **D6/602**

(58) **Field of Classification Search**  
USPC ..... D6/595, 602, 603, 606  
CPC .... A47C 27/002; A47C 27/003; A47C 27/008  
See application file for complete search history.

(56) **References Cited**

**U.S. PATENT DOCUMENTS**

D118,716 S *	1/1940	Zito .....	D23/311
2,264,471 A *	12/1941	Glenn .....	A47G 9/062
			5/419
D256,161 S *	7/1980	Oliver .....	D24/189
D267,696 S *	1/1983	Adams .....	5/482
D388,996 S *	1/1998	Bell .....	D6/601
D412,422 S *	8/1999	Cobb .....	D6/608
D424,858 S *	5/2000	Douglas .....	D6/595
D456,661 S *	5/2002	Henegan .....	D2/719
D634,515 S *	3/2011	Amante .....	D2/860
D652,198 S *	1/2012	Ashworth .....	D2/719
D653,070 S *	1/2012	Powell .....	D6/608
D665,616 S *	8/2012	Pittman .....	A47G 9/062
			D6/595
D776,459 S *	1/2017	Ibarra .....	D6/603
D778,638 S *	2/2017	Williams .....	D6/602
D785,371 S *	5/2017	Volpe, II .....	D6/602

**OTHER PUBLICATIONS**

Google search: "security fabric sheet" [site visited Jan. 26, 2024]:  
[https://www.google.com/search?sca\\_esv=601771759&sxsrf=ACQVn08dPjRc1kAE0c06VGp8RODGtiaFkw:1706298131390&q=security+fabric+sheet&tbm=isch&source=Inms&sa=X&ved=2ahUKEwjR\\_YHw5\\_uDaxWRF1kFHdF4Ap8Q0pQJegQICxAB&biw=1920&bih=919&dpr=1](https://www.google.com/search?sca_esv=601771759&sxsrf=ACQVn08dPjRc1kAE0c06VGp8RODGtiaFkw:1706298131390&q=security+fabric+sheet&tbm=isch&source=Inms&sa=X&ved=2ahUKEwjR_YHw5_uDaxWRF1kFHdF4Ap8Q0pQJegQICxAB&biw=1920&bih=919&dpr=1) (Year: 2024).\*

*Primary Examiner* — Sanjeev Paul  
(74) *Attorney, Agent, or Firm* — LaMorte & Associates P.C.

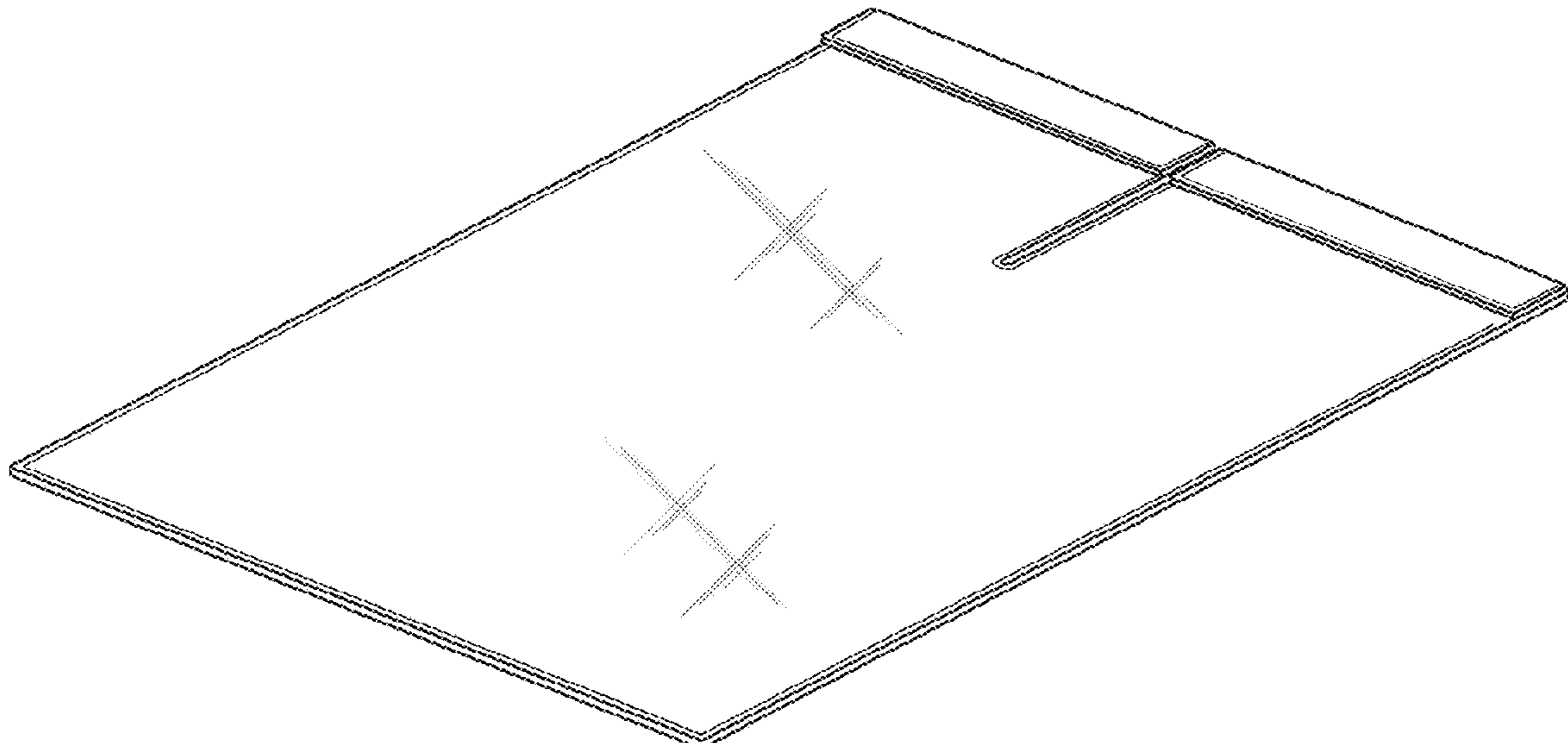
(57) **CLAIM**

The ornamental design for a security sheet, as shown and described.

**DESCRIPTION**

FIG. 1 is a front view of a security sheet showing my new design.  
FIG. 2 is a rear view thereof;  
FIG. 3 is a right-side view thereof;  
FIG. 4 is a left-side view thereof;  
FIG. 5 is a top view thereof;  
FIG. 6 is a bottom view thereof;  
FIG. 7 is a front perspective view thereof; and,  
FIG. 8 is a rear perspective view thereof.

**1 Claim, 8 Drawing Sheets**



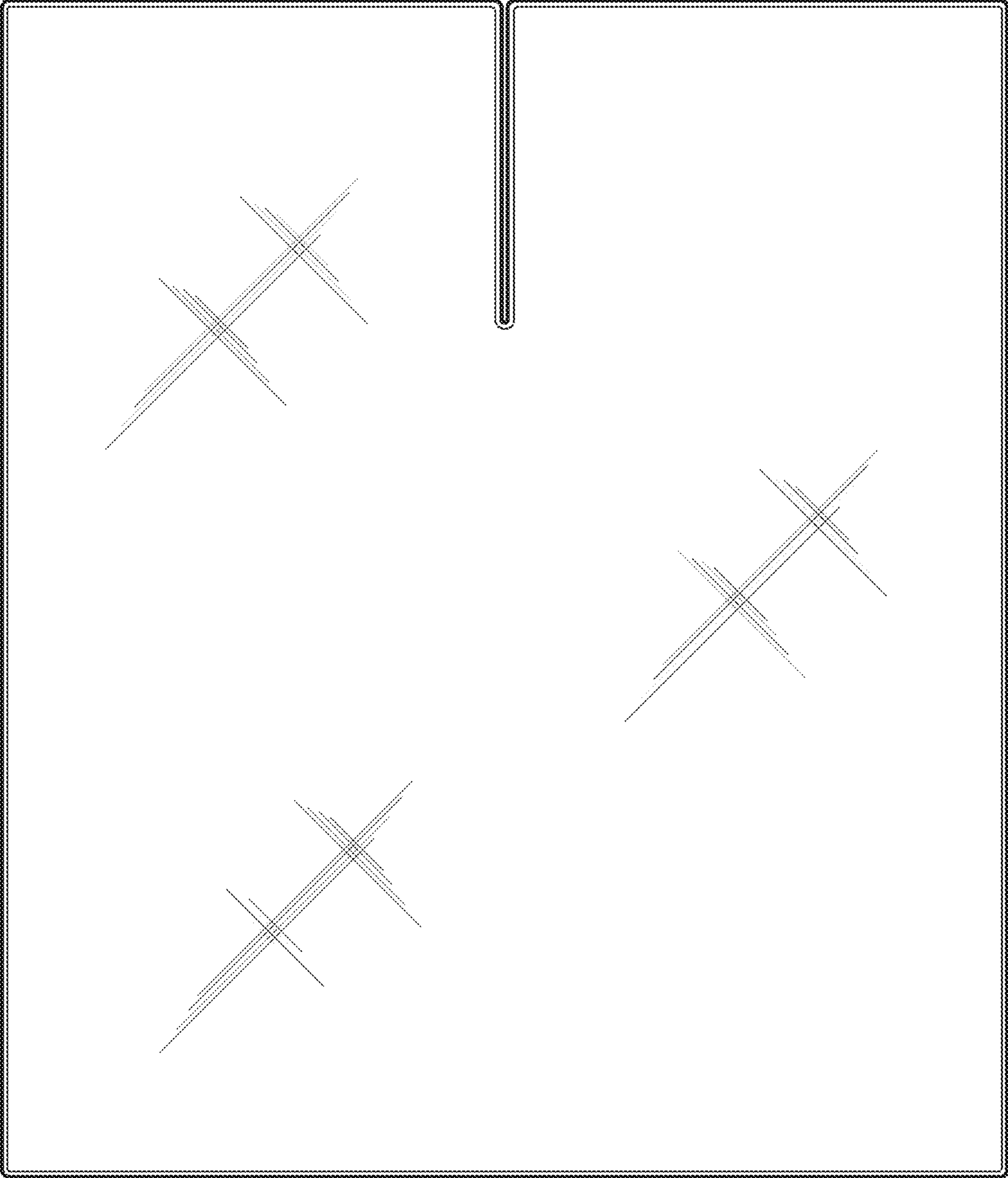
(56)

**References Cited**

U.S. PATENT DOCUMENTS

2023/0255358 A1\* 8/2023 Nelson ..... A47C 19/025  
5/2.1

\* cited by examiner



*FIG. 1*

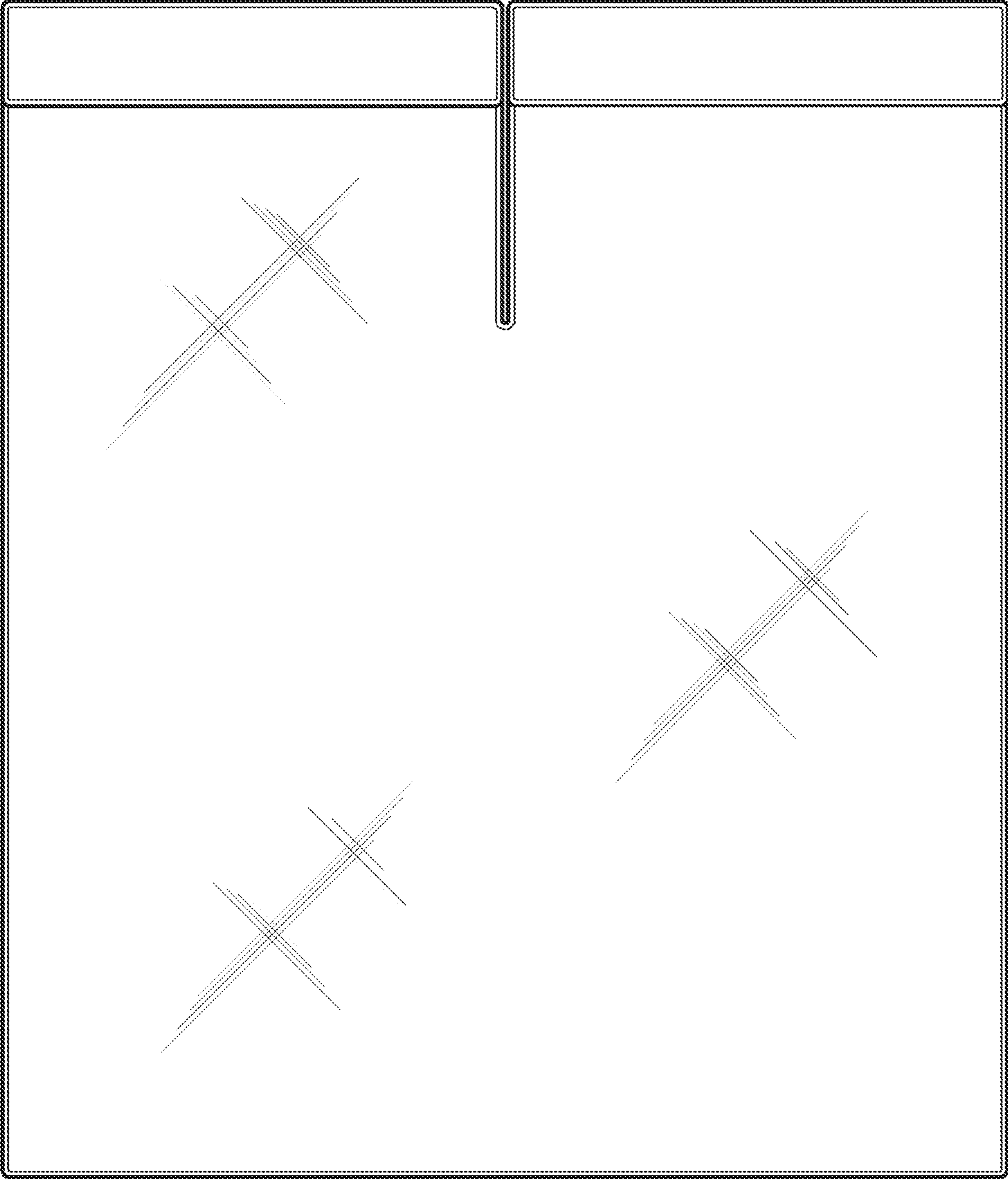
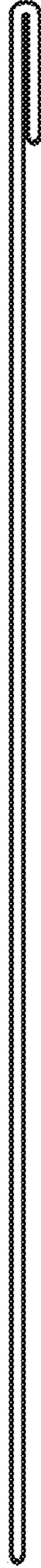


FIG. 2



*FIG. 3*



*FIG. 4*



*FIG. 5*



*FIG. 6*



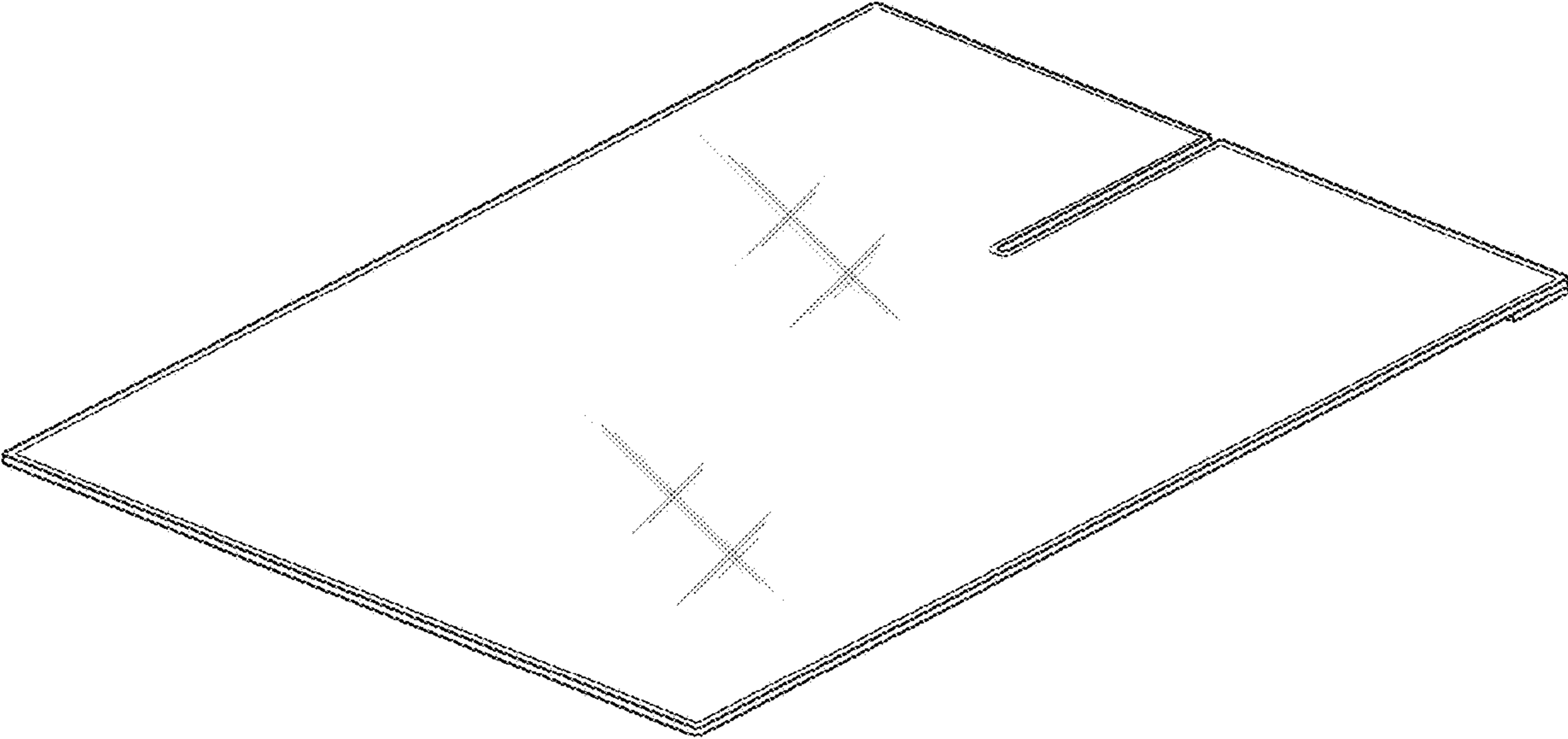


FIG. 7

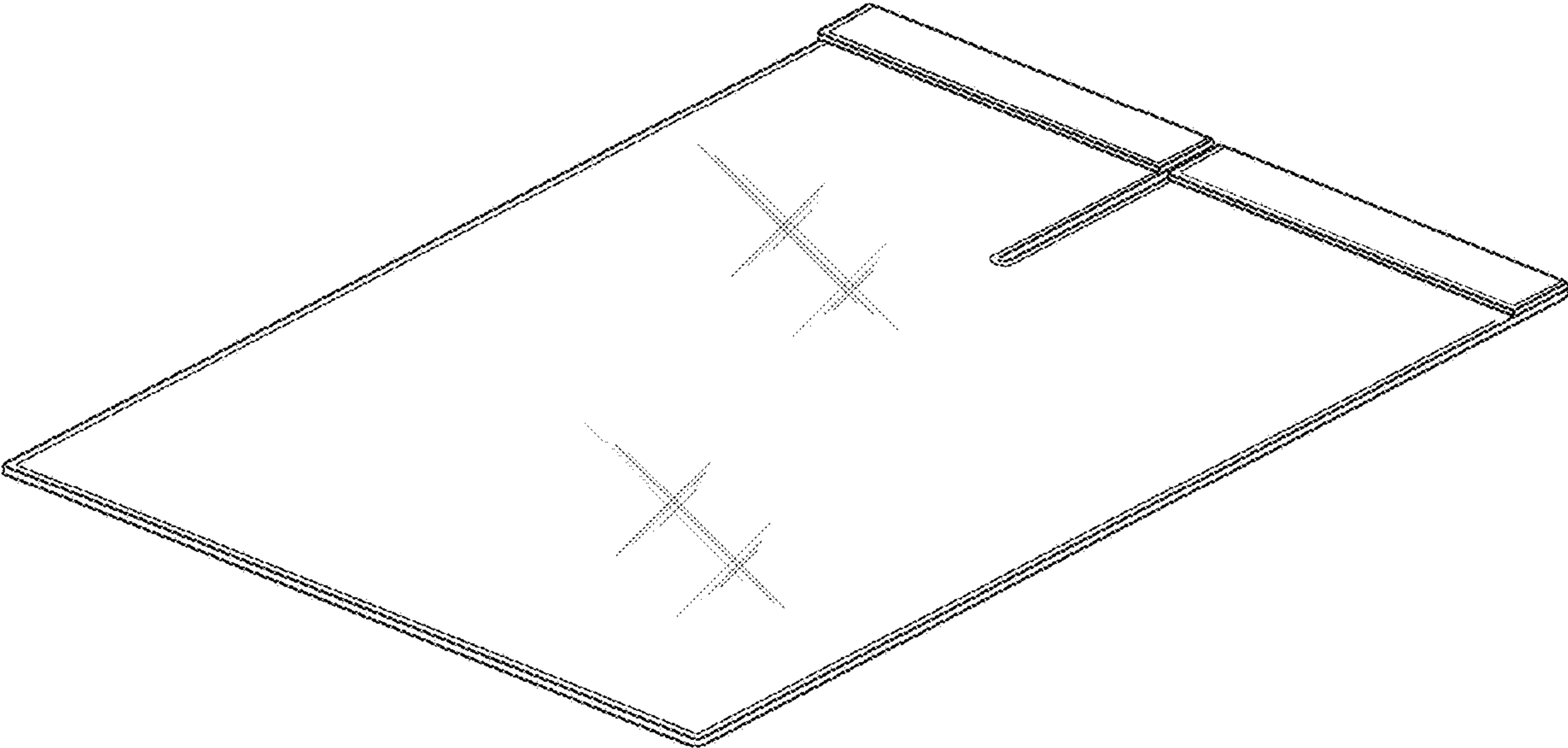


FIG. 8