



US0D1029492S

(12) **United States Design Patent** (10) **Patent No.:** **US D1,029,492 S**
Cereceres (45) **Date of Patent:** **** Jun. 4, 2024**

(54) **KNIFE HOLDER**

FOREIGN PATENT DOCUMENTS

(71) Applicant: **Gerssai Cereceres**, Fort Worth, TX (US)

WO WO2008132427 11/2008

(72) Inventor: **Gerssai Cereceres**, Fort Worth, TX (US)

OTHER PUBLICATIONS

(**) Term: **15 Years**

Estwing 2-Compartment holster, posted at amazon.com, first available Feb. 8, 2019, retrieved on Dec. 21, 2022, online, <https://www.amazon.com/Estwing-94754-2-Compartment-Hammer-Holder/dp/B07P5H6DCY> (Year: 2019).*

(21) Appl. No.: **29/783,146**

Harvey's Knife Holster, posted at amazon.com, first available Nov. 11, 2021, retrieved on Dec. 21, 2022, online, <https://www.amazon.com/Harveys-Toolbox-Drywall-Taping-Holster/dp/B09LP6YG7G> (Year: 2021).*

(22) Filed: **May 11, 2021**

(51) **LOC (14) Cl.** **03-01**

(Continued)

(52) **U.S. Cl.**
USPC **D3/228**; D8/71

Primary Examiner — John R Yeh
Assistant Examiner — Dustin Andrew Griffith

(58) **Field of Classification Search**
USPC D3/205, 215, 219, 220, 222, 223, 224,
D3/225, 226, 228, 230; D8/71
CPC A45F 5/00; A45F 5/021; A45F 2200/05;
A45F 2200/0575; B26B 29/025

(57) **CLAIM**

The ornamental design for a knife holder, as shown and described.

See application file for complete search history.

DESCRIPTION

(56) **References Cited**

FIG. 1 is a front view of a knife holder showing my new design;

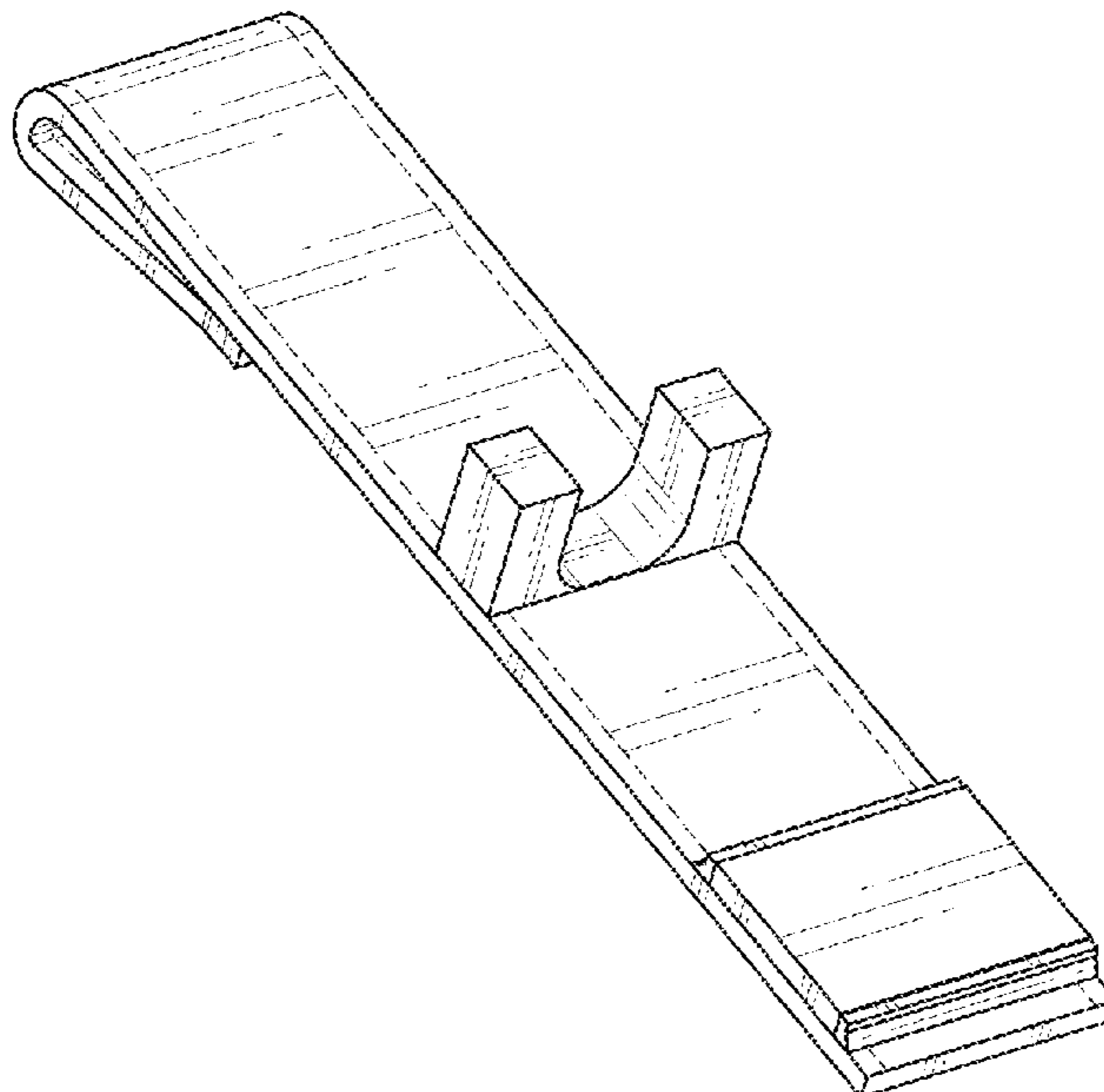
U.S. PATENT DOCUMENTS

5,248,072	A	9/1993	Jones	
5,758,807	A	6/1998	Wright	
D420,216	S *	2/2000	Birkbeck, III	D3/215
D439,039	S	3/2001	Austin	
D467,070	S *	12/2002	Snider	D3/228
D500,592	S *	1/2005	Thayer	D3/228
8,490,845	B2 *	7/2013	Stewart	B25H 3/006 224/904
10,499,724	B2 *	12/2019	Hyson	A45F 5/021
D890,520	S *	7/2020	Stobar	D3/228
D896,503	S *	9/2020	Spinelli	D3/215
11,523,675	B2 *	12/2022	Heinemark	B25H 3/00
2005/0283916	A1	12/2005	Gintz	
2006/0032876	A1	2/2006	Goffinet	
2012/0104057	A1	5/2012	Gerrior	

FIG. 2 is a rear view of the knife holder;
FIG. 3 is a right side view of the knife holder;
FIG. 4 is a left side view of the knife holder;
FIG. 5 is a top view of the knife holder;
FIG. 6 is a bottom view of the knife holder;
FIG. 7 is a bottom front side perspective view of the knife holder in use; and,
FIG. 8 is a bottom front side perspective view of the knife holder.

The broken lines along the lateral edges of the knife holder are stitches forming no part of the claimed design. The other broken lines in FIG. 7 are illustrative of environmental structure forming no part of the claimed design.

1 Claim, 8 Drawing Sheets



(56)

References Cited

OTHER PUBLICATIONS

Hyde Tools Hook Knife Sheath, posted at amazon.com, first available May 13, 2011, retrieved on Dec. 21, 2022, online, <https://www.amazon.com/Hyde-Tools-42700-Knife-Sheath/dp/B001VEC5YI> (Year: 2011).*

* cited by examiner

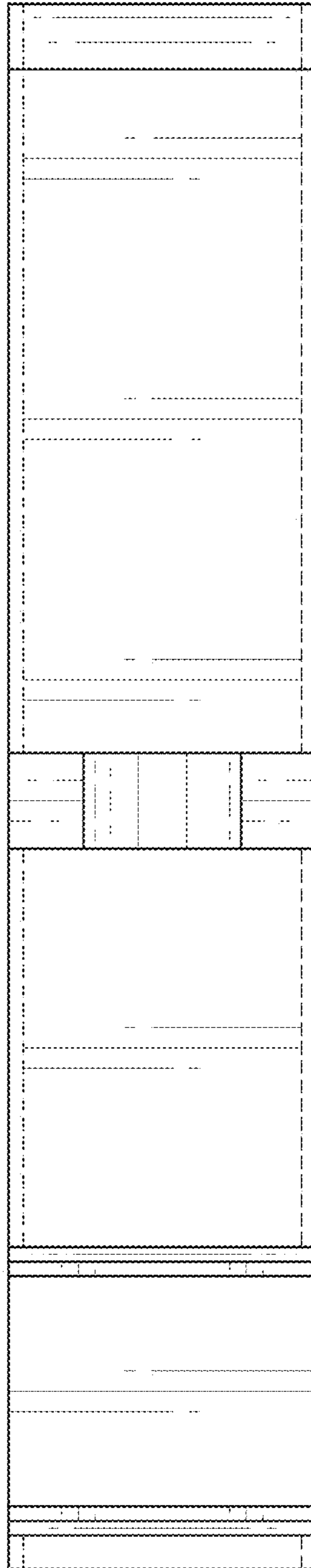


FIG. 1

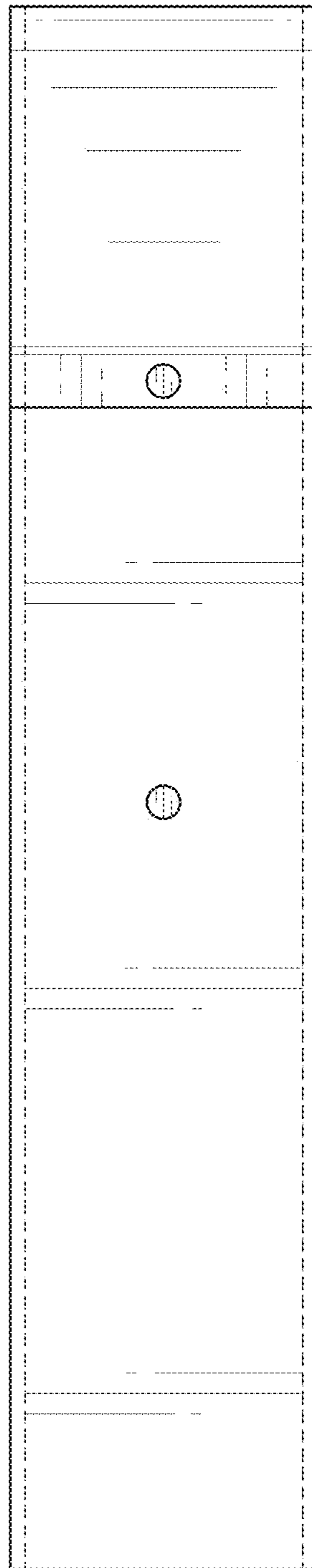


FIG. 2

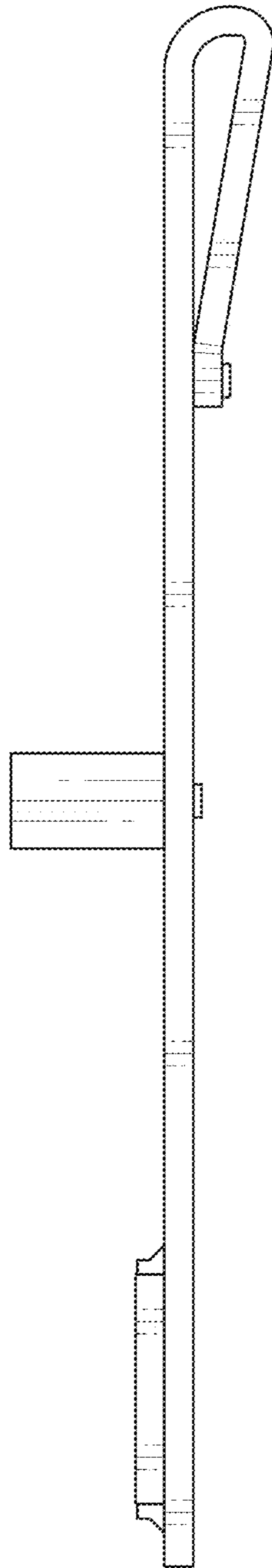


FIG. 3

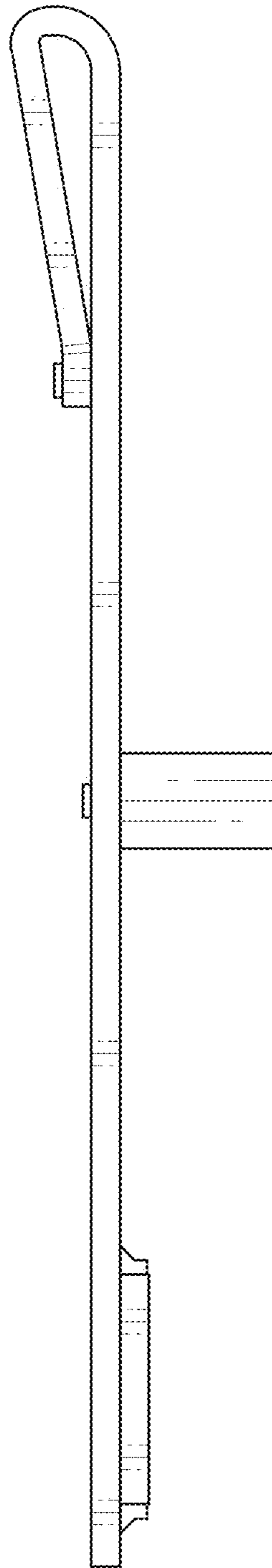


FIG. 4

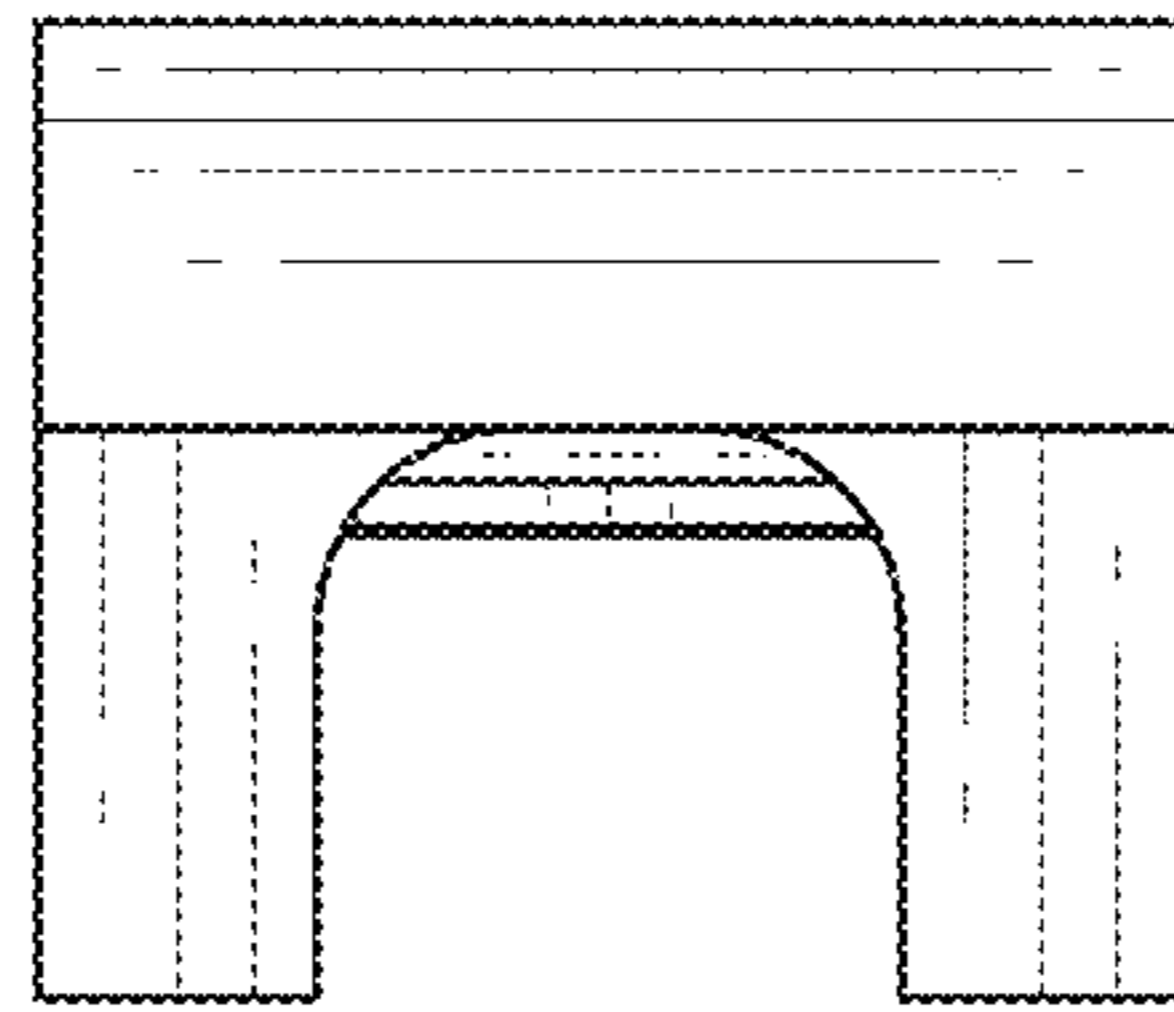


FIG. 5

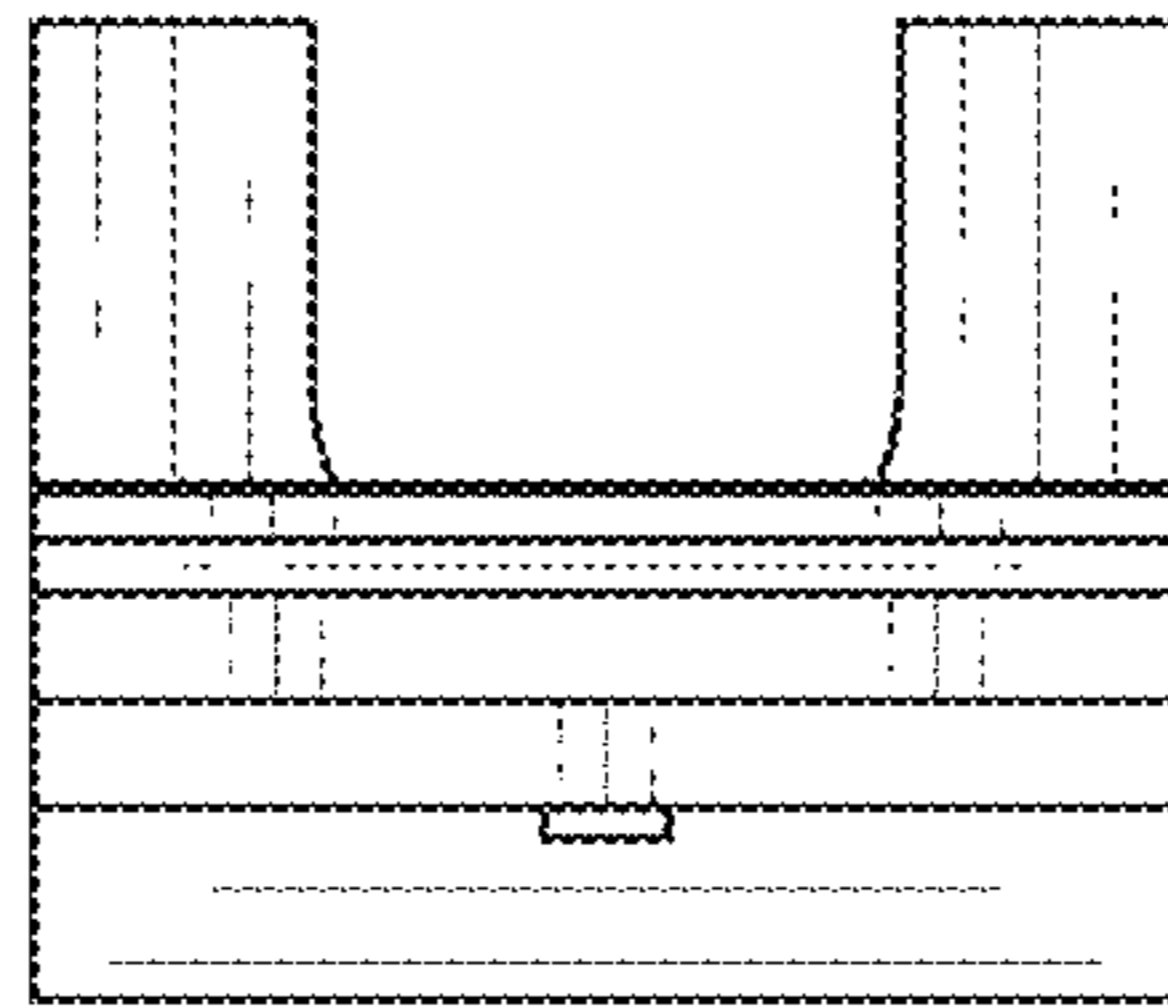


FIG. 6

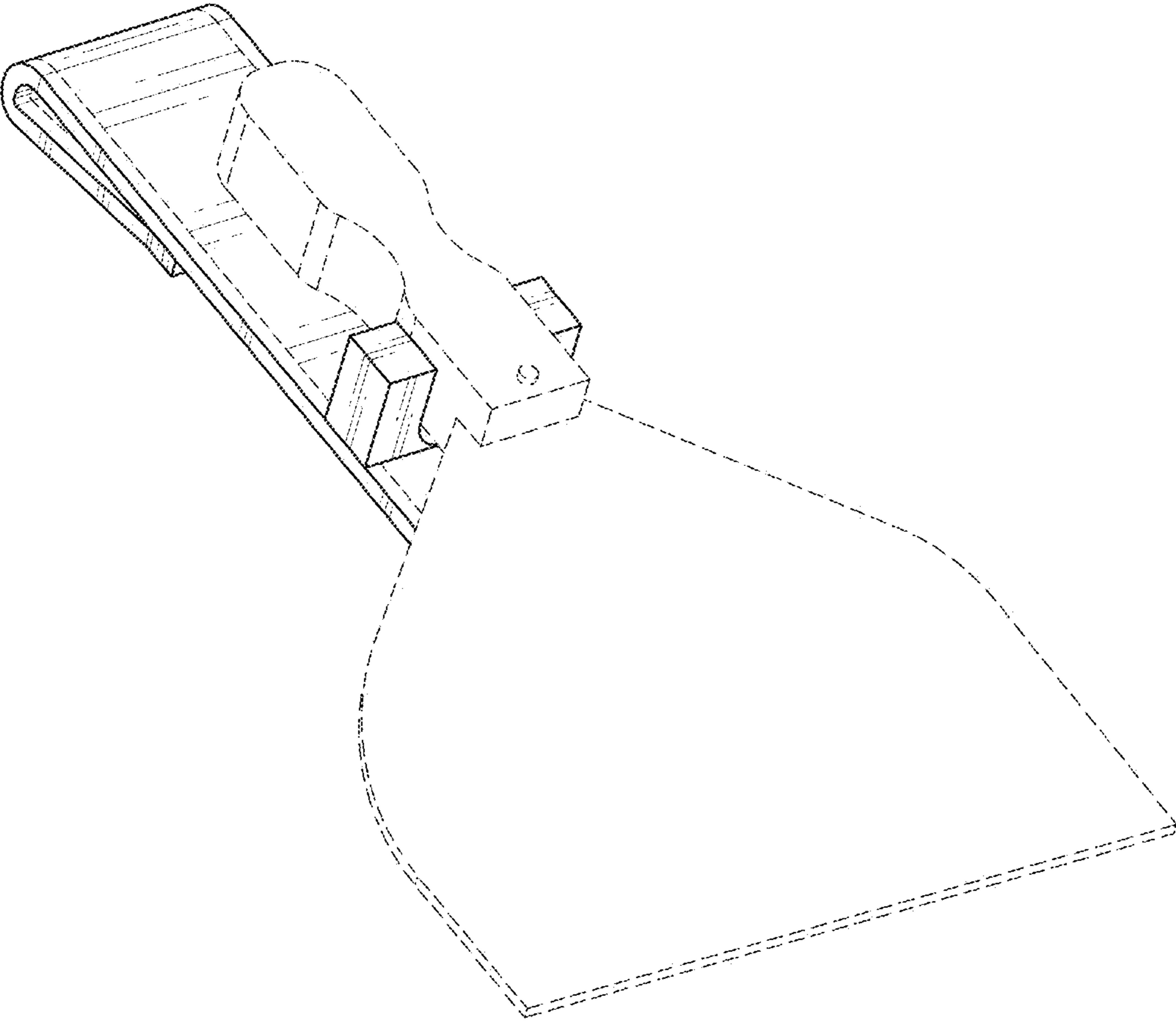


FIG. 7

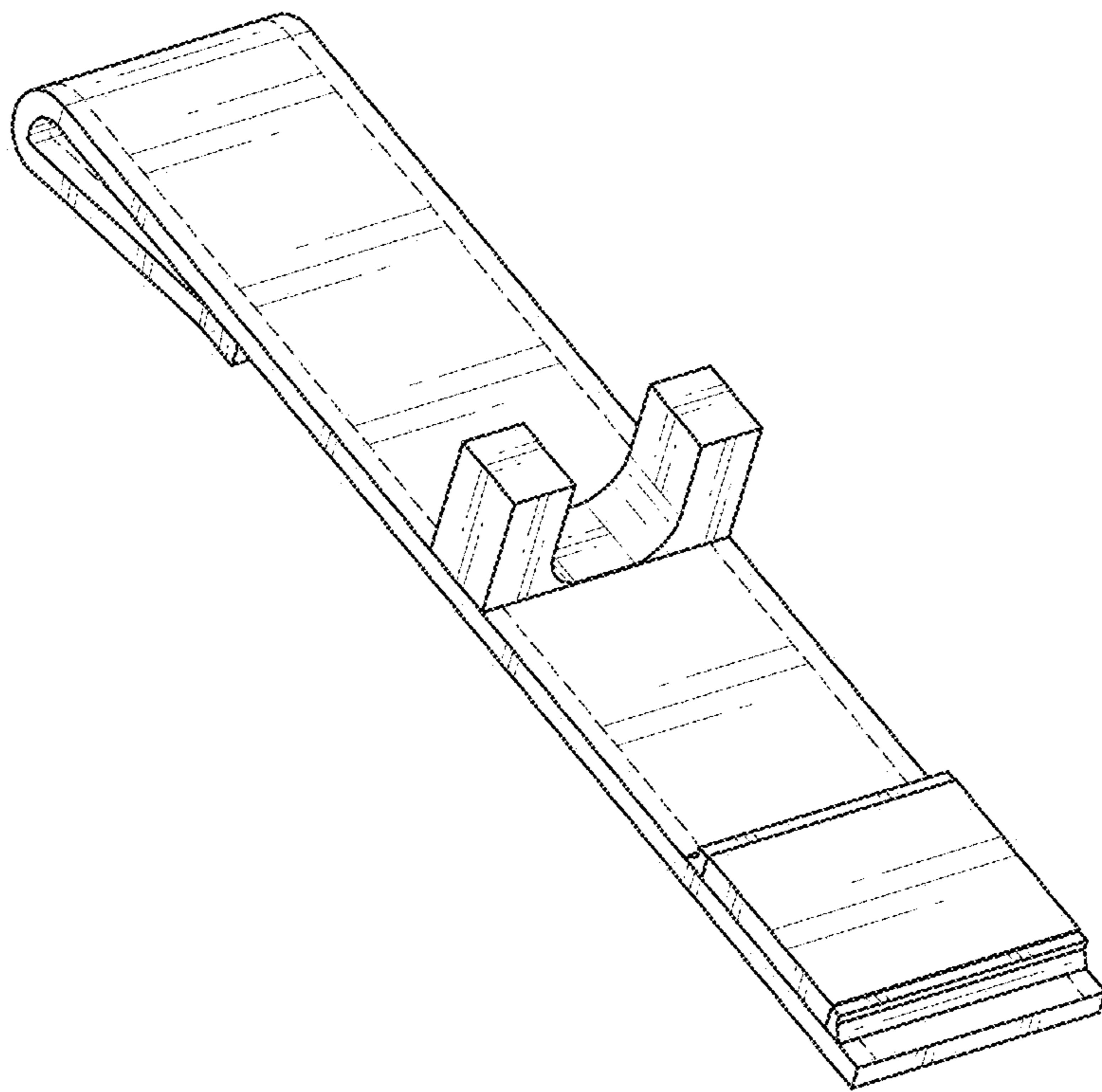


FIG. 8