



US0D1029376S

(12) **United States Design Patent** (10) **Patent No.:** **US D1,029,376 S**  
**Yu** (45) **Date of Patent:** **\*\* May 28, 2024**

(54) **MAKEUP SPONGE TOOL**  
(71) Applicant: **SHYA HSIN PACKAGING INDUSTRY (CHINA) CO., LTD.,**  
Kunshan (CN)

(72) Inventor: **Fuhai Yu, Kunshan (CN)**

(73) Assignee: **SHYA HSIN PACKAGING INDUSTRY(CHINA) CO., LTD.,**  
Kunshan (CN)

(\*\*) Term: **15 Years**

(21) Appl. No.: **29/836,783**

(22) Filed: **Apr. 29, 2022**

(30) **Foreign Application Priority Data**

Nov. 2, 2021 (CN) ..... 202130717307.4

(51) **LOC (14) Cl.** ..... **28-02**

(52) **U.S. Cl.**  
USPC ..... **D28/7**

(58) **Field of Classification Search**  
USPC ..... D28/4, 7, 8, 99; D6/595, 596, 601;  
D32/40, 42, 45  
CPC ..... A45D 34/04; A45D 34/06; A45D  
2200/1018; A45D 34/042; A45D 40/265;  
A45D 2200/1009; A45D 2200/1036;  
A45D 2200/10

See application file for complete search history.

(56) **References Cited**

**U.S. PATENT DOCUMENTS**

D388,570 S \* 12/1997 Humphries ..... D32/42  
D544,644 S \* 6/2007 Hartstock ..... D28/7  
D586,048 S \* 2/2009 Hartstock ..... D28/7  
D667,166 S \* 9/2012 Strube ..... D28/7  
D729,977 S \* 5/2015 Pires ..... D28/7  
D789,600 S \* 6/2017 Nicoline ..... D28/7  
D898,995 S \* 10/2020 Jung ..... D28/7

D913,699 S \* 3/2021 Hurtado ..... D4/120  
D917,780 S \* 4/2021 Roh ..... D28/7  
D926,368 S \* 7/2021 Lin ..... D28/7  
D970,104 S \* 11/2022 Bianco ..... D28/7  
D975,916 S \* 1/2023 Lu ..... D28/7  
D977,191 S \* 1/2023 Hunter ..... D28/7

(Continued)

**FOREIGN PATENT DOCUMENTS**

CN 202130717307.4 \* 4/2022  
EM 008865273 \* 2/2022  
KR 3020210026505 \* 2/2022

**OTHER PUBLICATIONS**

Flocked Doe Foot Lip Gloss Applicator, Published on: unknown (online), Retrieved on: Mar. 5, 2024 (online), [https://www.alibaba.com/product-detail/Flocked-Doe-Foot-Lip-Gloss-Applicator\\_1600282854389.html?spm=a2700.wholesale.you\\_may\\_like.1.7d683b50RNE6z9](https://www.alibaba.com/product-detail/Flocked-Doe-Foot-Lip-Gloss-Applicator_1600282854389.html?spm=a2700.wholesale.you_may_like.1.7d683b50RNE6z9) (Year: 2024).\*

(Continued)

*Primary Examiner* — Messina L Smith  
*Assistant Examiner* — Elizabeth Borsetti  
(74) *Attorney, Agent, or Firm* — Bayramoglu Law Offices LLC

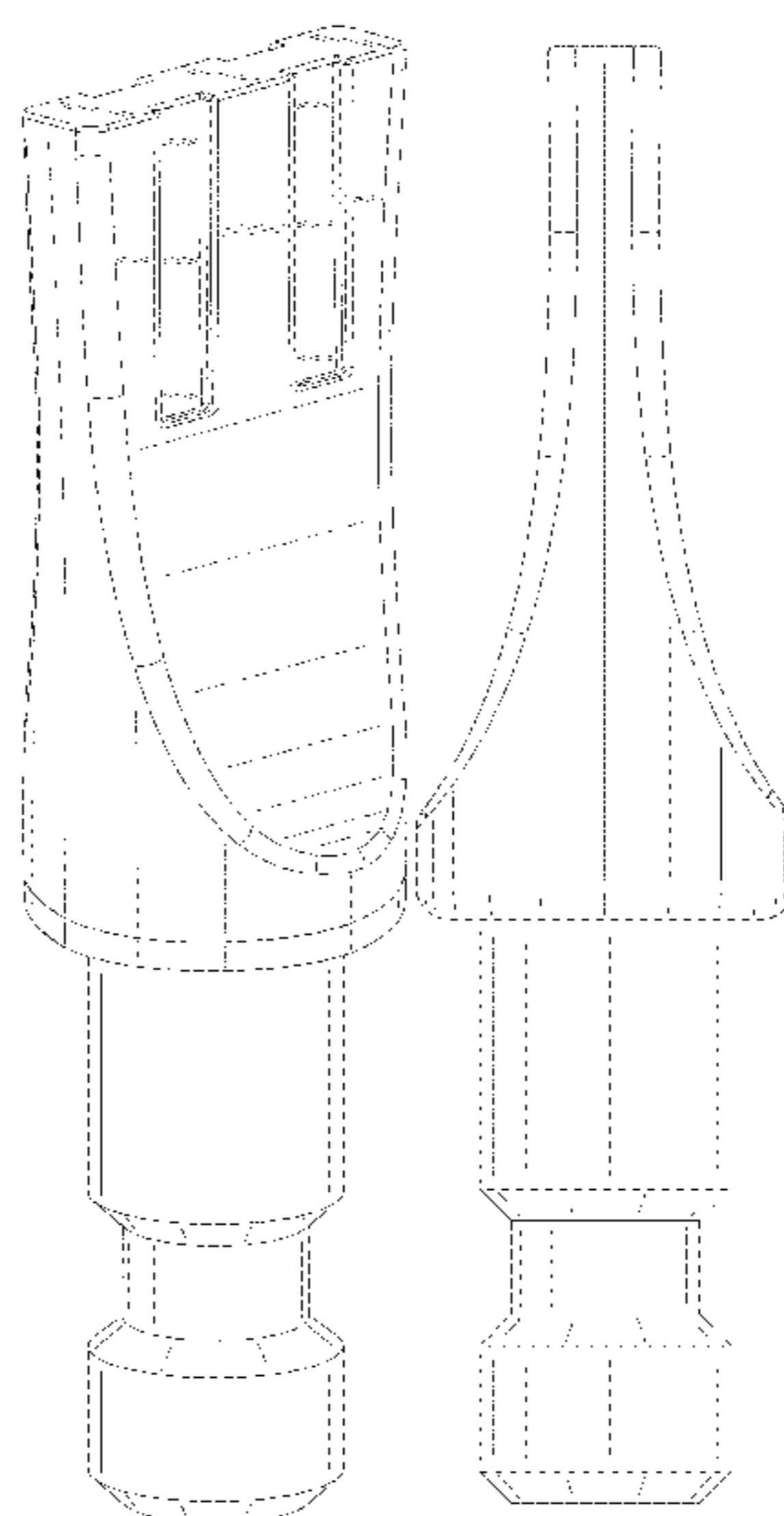
(57) **CLAIM**

The ornamental design for a makeup sponge tool, as shown and described.

**DESCRIPTION**

FIG. 1 is a perspective view of a makeup sponge tool showing my new design;  
FIG. 2 is a front view thereof, a rear view being a mirror image of the front view;  
FIG. 3 is a left side view thereof, a right side view being a mirror image of the left side view;  
FIG. 4 is a top view thereof; and,  
FIG. 5 is a bottom view thereof.

**1 Claim, 5 Drawing Sheets**



(56)

**References Cited**

U.S. PATENT DOCUMENTS

D1,011,765 S \* 1/2024 Hurtado ..... D4/120  
2021/0076799 A1 \* 3/2021 Seo ..... A45D 40/264

OTHER PUBLICATIONS

Flexible Silicone Core Flocked Lint-free Applicator, Published on:  
unknown (online), Retrieved on: Mar. 5, 2024 (online), [https://www.alibaba.com/product-detail/Flexible-Silicone-Core-Flocked-Lint-free\\_1600311380321.html?spm=a2700.galleryofferlist.normal\\_offer.d\\_title.7a592878L24WFC](https://www.alibaba.com/product-detail/Flexible-Silicone-Core-Flocked-Lint-free_1600311380321.html?spm=a2700.galleryofferlist.normal_offer.d_title.7a592878L24WFC) (Year: 2024).\*

Best seller Flocked tip lip gloss Applicator, Published on: unknown  
(online), Retrieved on: Mar. 5, 2024 (online), [https://www.alibaba.com/product-detail/Best-seller-flocked-tip-lip-gloss\\_1600412513854.html?spm=a2700.shop\\_plser.41413.3.303135449lyM9m](https://www.alibaba.com/product-detail/Best-seller-flocked-tip-lip-gloss_1600412513854.html?spm=a2700.shop_plser.41413.3.303135449lyM9m) (Year: 2024).\*

\* cited by examiner

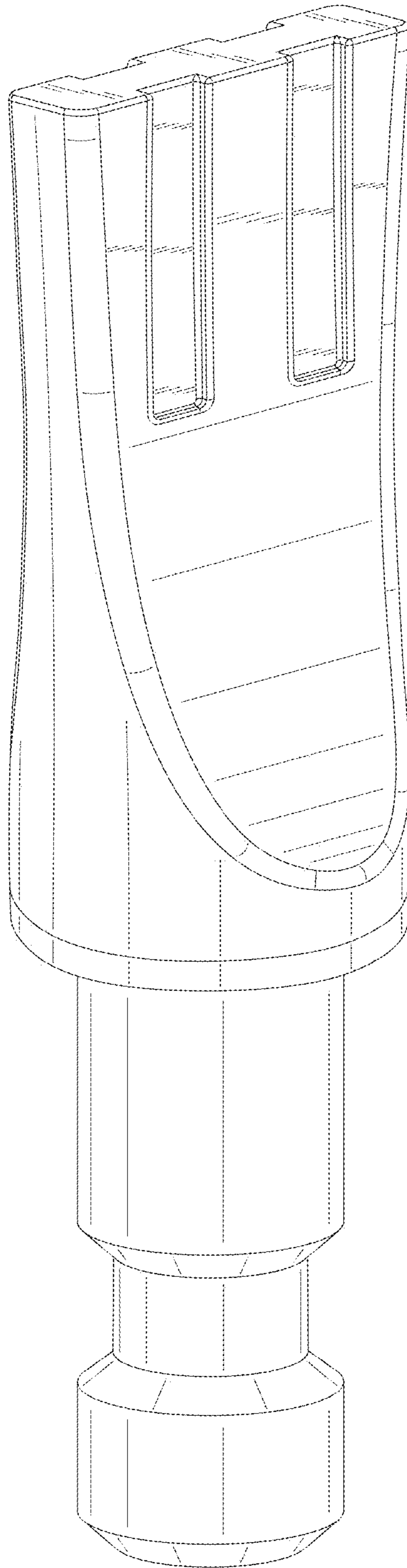


FIG. 1

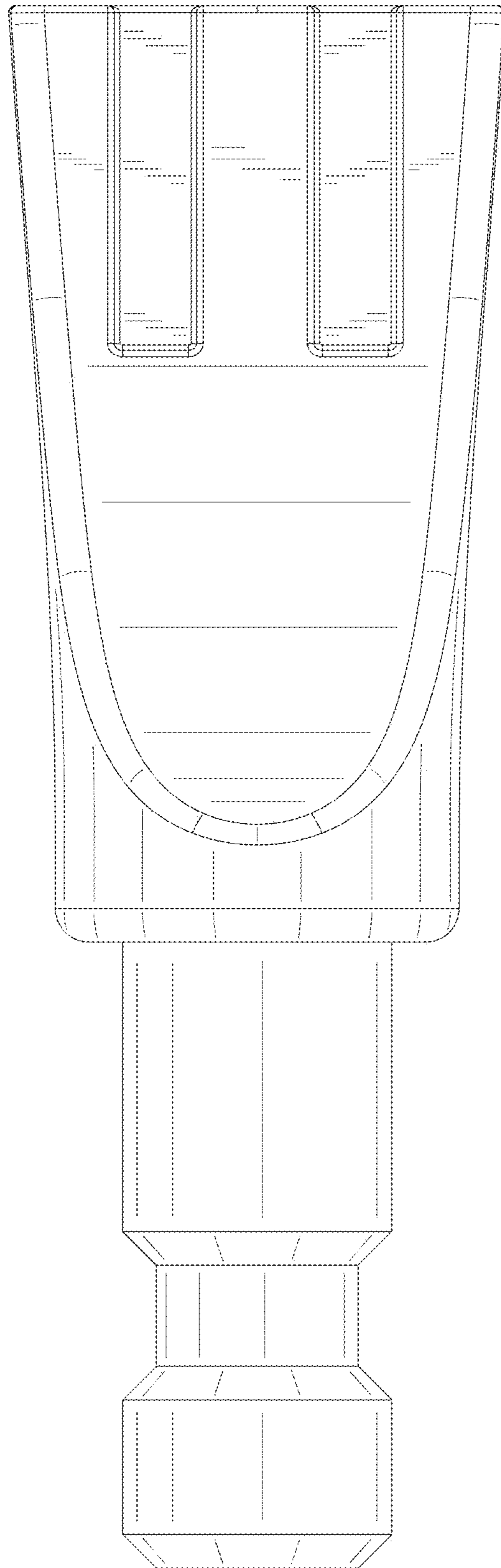


FIG. 2

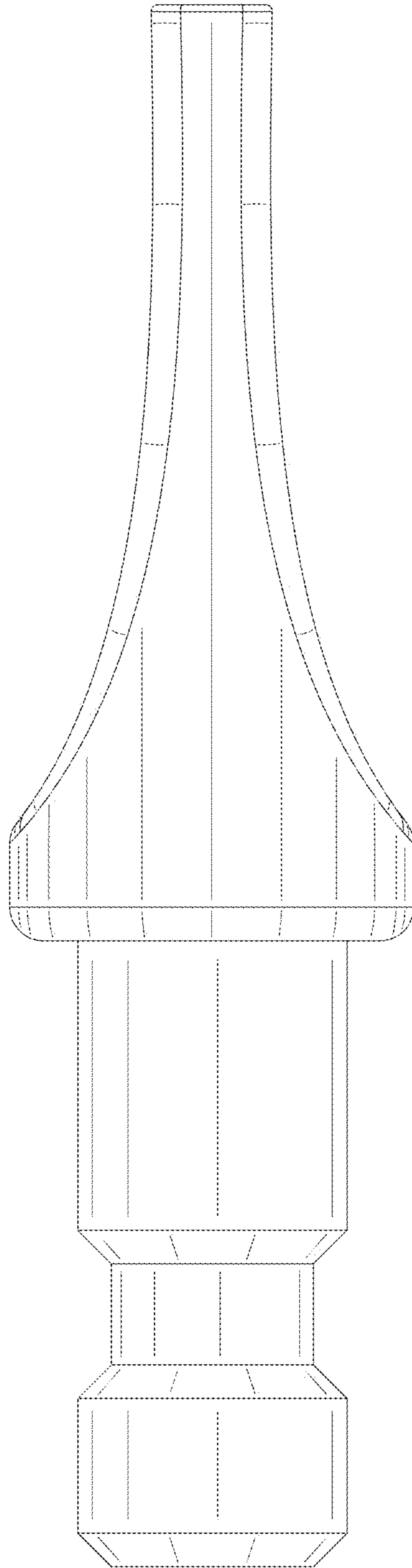


FIG. 3

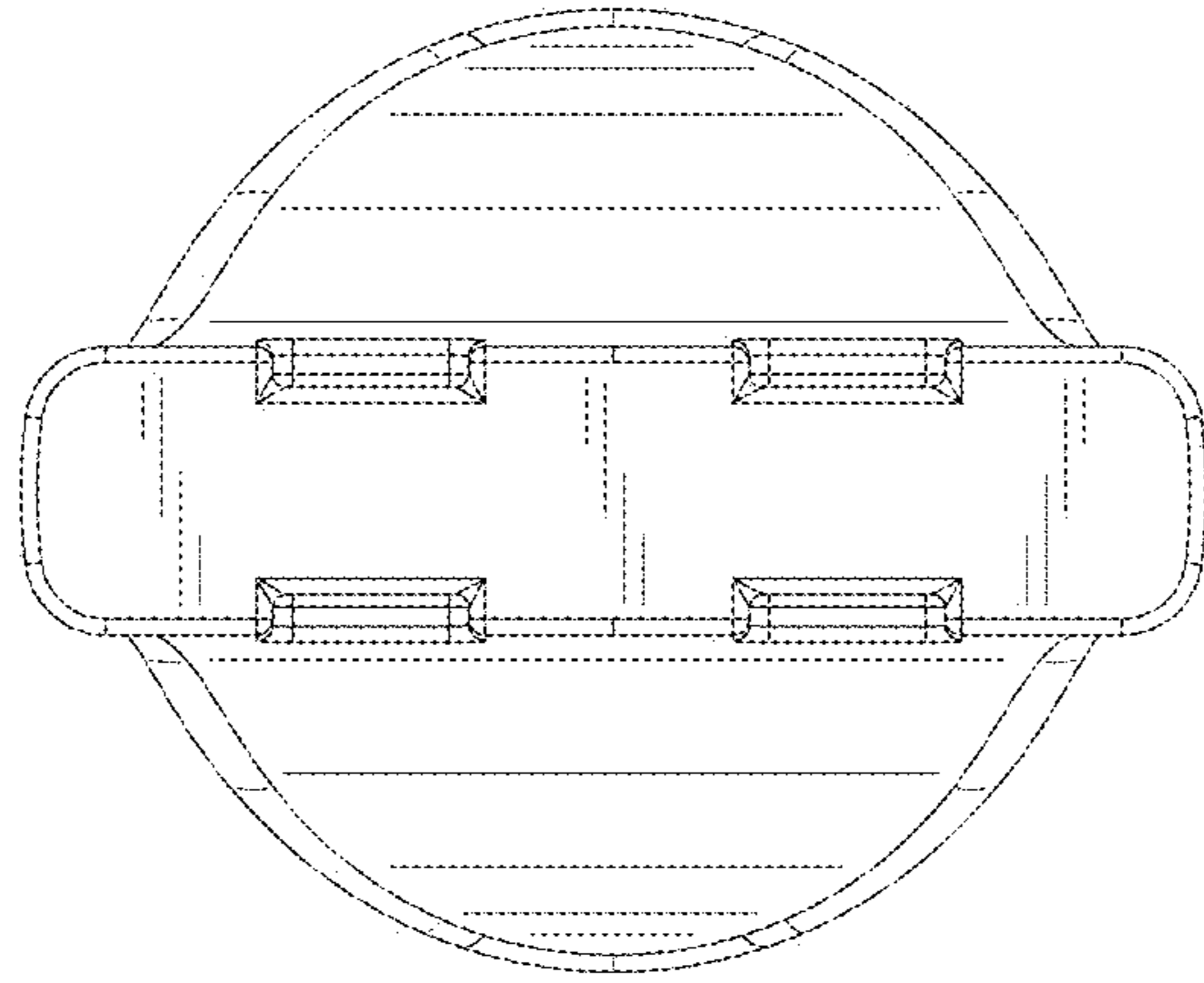


FIG. 4

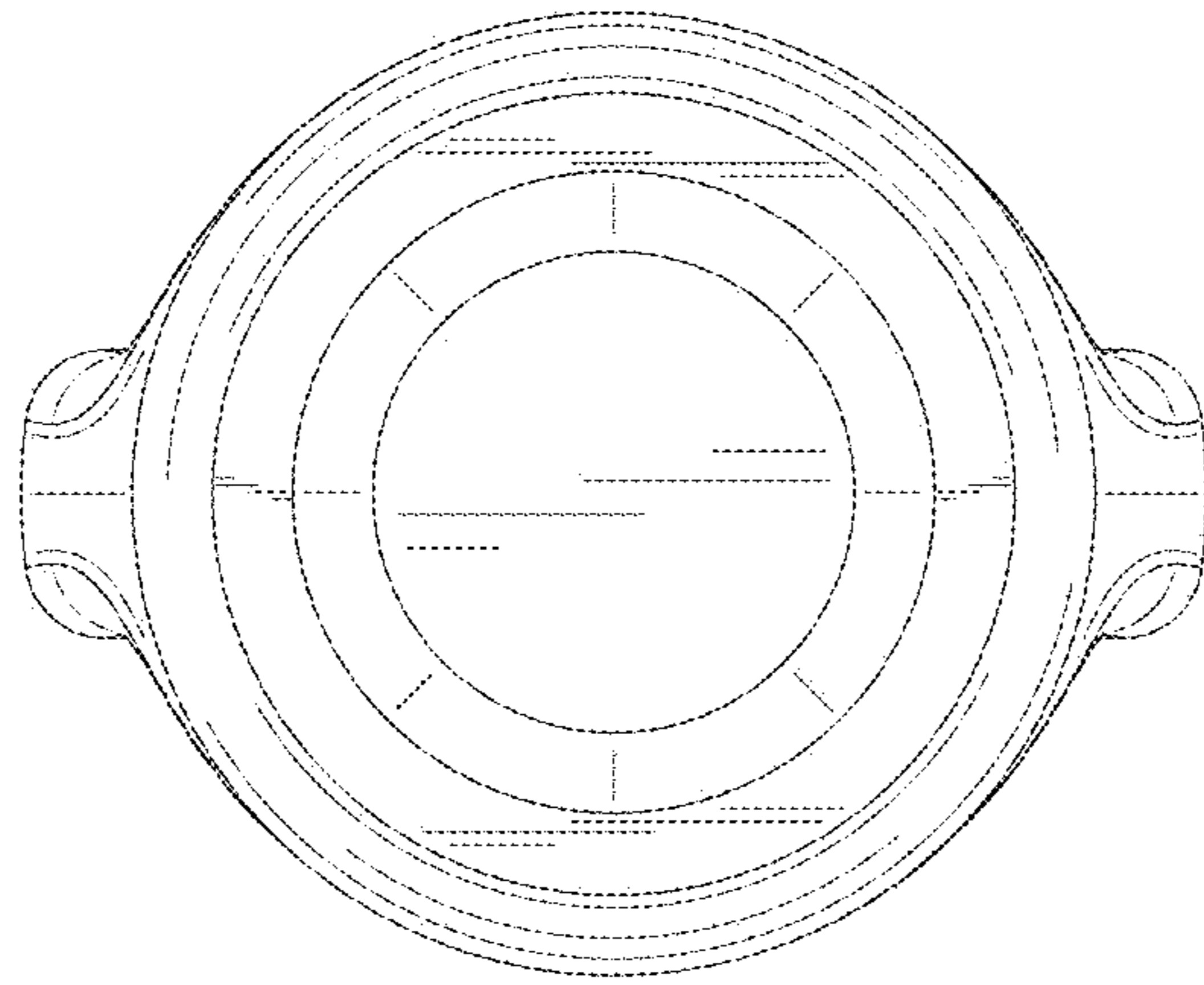


FIG. 5