



US0D1028827S

(12) **United States Design Patent** (10) **Patent No.:** **US D1,028,827 S**
Seo et al. (45) **Date of Patent:** **** May 28, 2024**

(54) **FRONT BUMPER UPPER COVER FOR AN AUTOMOBILE**

(71) Applicants: **Hyundai Motor Company**, Seoul (KR); **Kia Corporation**, Seoul (KR)

(72) Inventors: **Jun Seok Seo**, Seongnam-si (KR); **Duck Hyun Hwang**, Hanam-si (KR)

(73) Assignees: **Hyundai Motor Company**, Seoul (KR); **Kia Corporation**, Seoul (KR)

(**) Term: **15 Years**

(21) Appl. No.: **35/516,652**

(22) Filed: **Sep. 14, 2022**

(80) **Hague Agreement Data**

Int. Filing Date: **Sep. 14, 2022**
Int. Reg. No.: **DM/223573**
Int. Reg. Date: **Sep. 14, 2022**
Int. Reg. Pub. Date: **Mar. 17, 2023**

(30) **Foreign Application Priority Data**

Apr. 15, 2022 (KR) 30-2022-0014829

(51) **LOC (14) Cl.** **12-16**

(52) **U.S. Cl.**
USPC **D12/196**

(58) **Field of Classification Search**
USPC D12/86, 90, 91, 92, 93, 96, 97, 163, 169, D12/171, 172, 173, 196, 216
CPC B60R 19/52; B60R 2019/25
See application file for complete search history.

(56) **References Cited**

U.S. PATENT DOCUMENTS

D989,668 S * 6/2023 Choi D12/169
D997,054 S * 8/2023 Choi D12/169
D1,001,695 S * 10/2023 Xi D12/169
D1,002,455 S * 10/2023 Nakajima D12/169
D1,003,777 S * 11/2023 Depeyster D12/169

D1,003,778 S * 11/2023 Depeyster D12/169
D1,004,496 S * 11/2023 Willing D12/169
D1,004,497 S * 11/2023 Willing D12/169
D1,004,498 S * 11/2023 Willing D12/169
D1,005,188 S * 11/2023 Willing D12/169
D1,008,115 S * 12/2023 Jevremovic D12/169
D1,008,118 S * 12/2023 Cotner D12/169
D1,008,142 S * 12/2023 Arguden D12/196

OTHER PUBLICATIONS

Bumpers. (Design—© Questel) orbit.com. [Online PDF compilation of references] 46 pgs. Print Dates Range Feb. 24, 2022-Jun. 16, 2023 [Retrieved Jan. 16, 2024].*

Bumper Thumper Ultimate Complete Coverage Front Bumper Guard Shock. Dec. 14, 2016. https://www.amazon.com/Bumper-Thumper-Ultimate-Complete-Absorbing/dp/B08FTMMPCS/ref=asc_df_B08FTMMPCS/?tag=hyprod-20&linkCode=df0&hvadid=459696650115&hvpos=&hvnetw=g&hvrnd=16502045796761741753&hvpone=&hvptwo=&hvqmt=&hvdev=c&hvdvcmdl.*

Carbon Fiber Front Corner Mesh Grill Molding. Jun. 26, 2023. Kanbkam. https://www.kanbkam.com/sa/en/carbon-fiber-front-corner-mesh-grill-molding-cover-trim-bumper-air-knife-fog-lamp-cover-trim-for-mercedesbenz-gle450-w167-gle350-53-63-amg-s-gls450-580-gls63-amg-x167-580-exterior-accessories-B0BPSFY4RF.*

Cascadia 2008-2017 Bumper Corner. 2017. https://tzparts.com/shop/bumpers/cascadia-2008-2017-bumper-corner-driver-21-27300-000/*

* cited by examiner

Primary Examiner — Garth Rademaker

Assistant Examiner — Suzanne E Tisdell

(74) *Attorney, Agent, or Firm* — Fox Rothschild LLP

(57) **CLAIM**

The ornamental design for front bumper upper cover for an automobile, as shown and described.

DESCRIPTION

1. Front bumper upper cover for an automobile

1.1 : Perspective

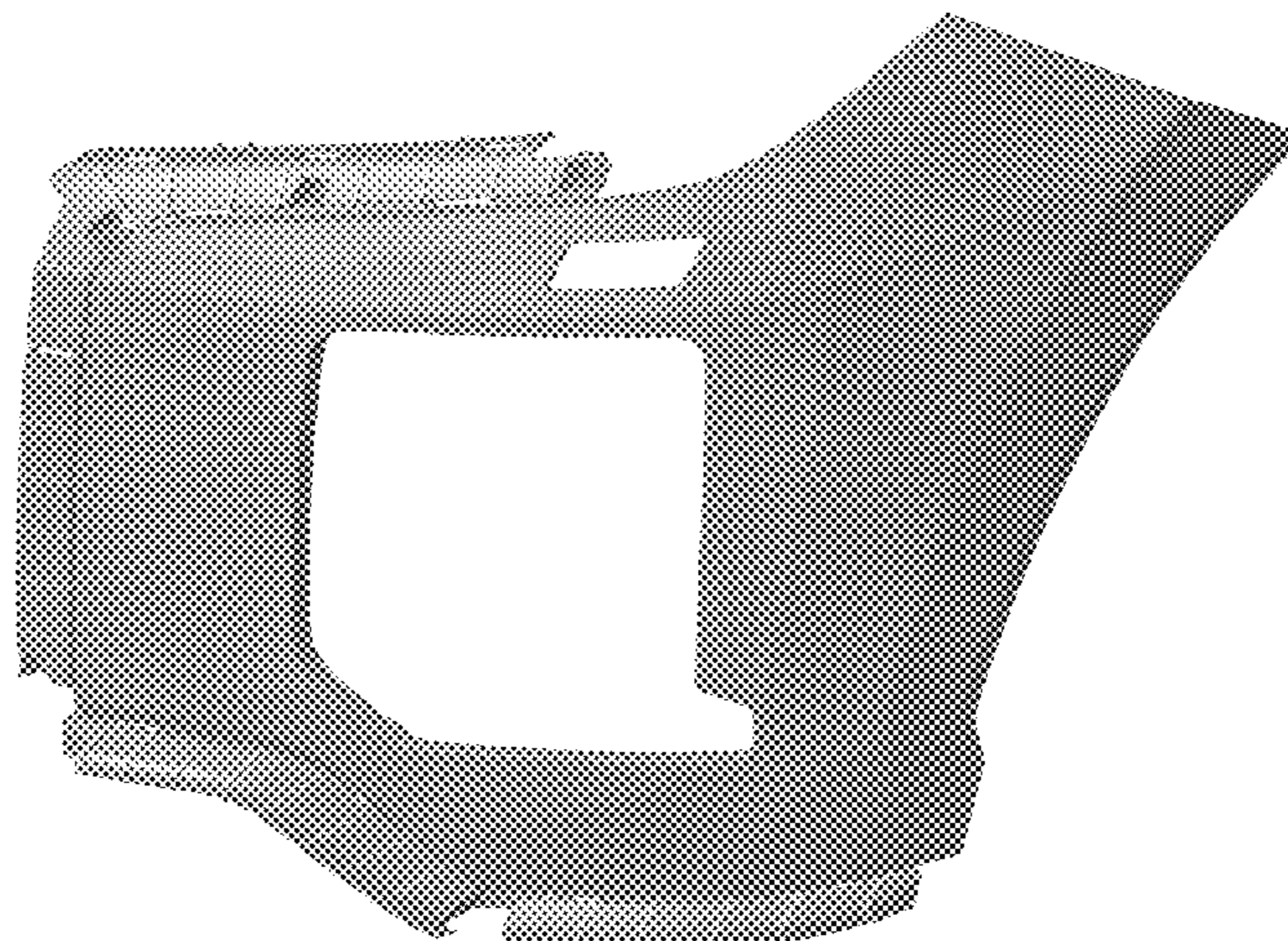
1.2 : Front

1.3 : Back

1.4 : Left

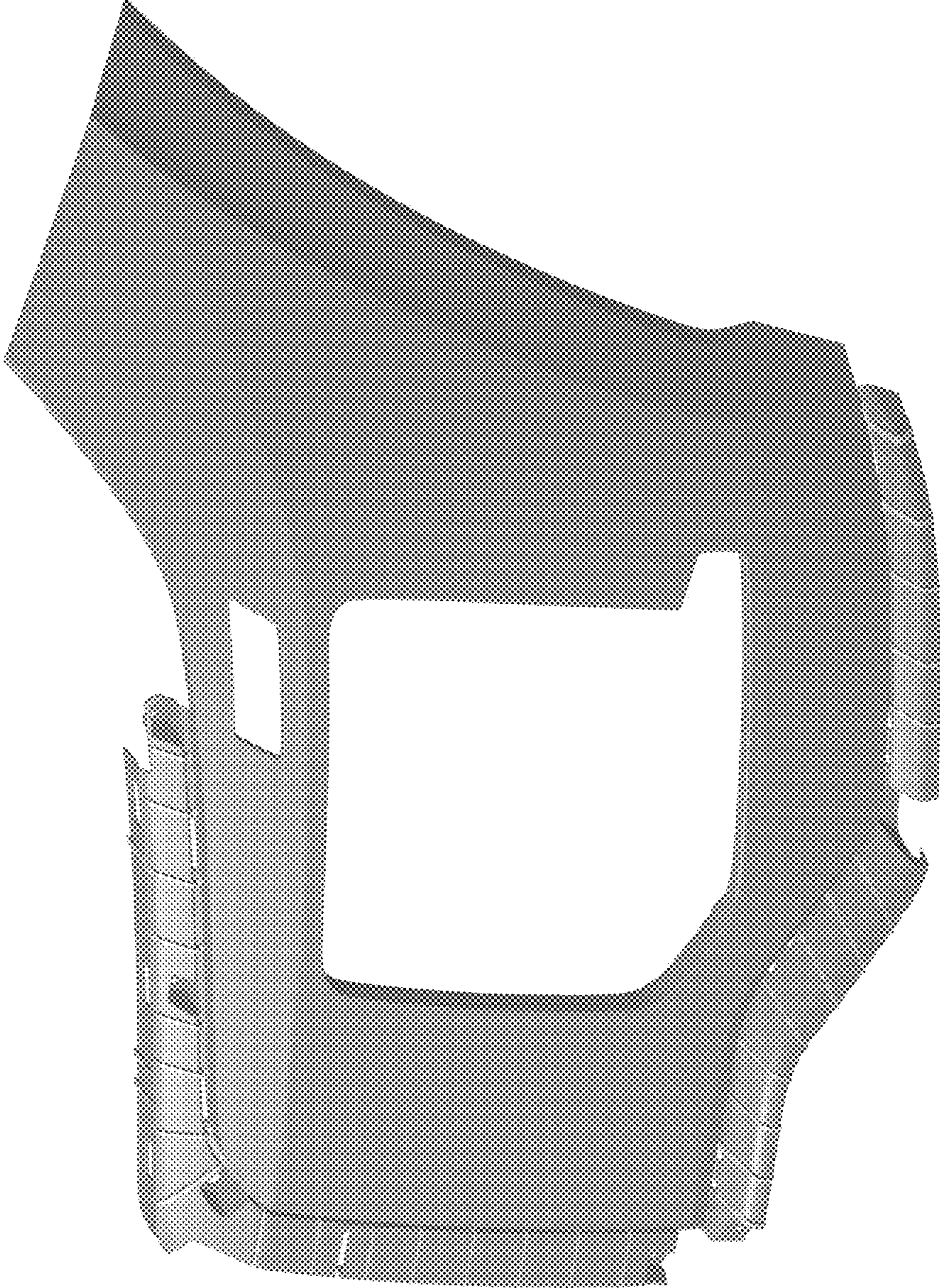
1.5 : Right

(Continued)



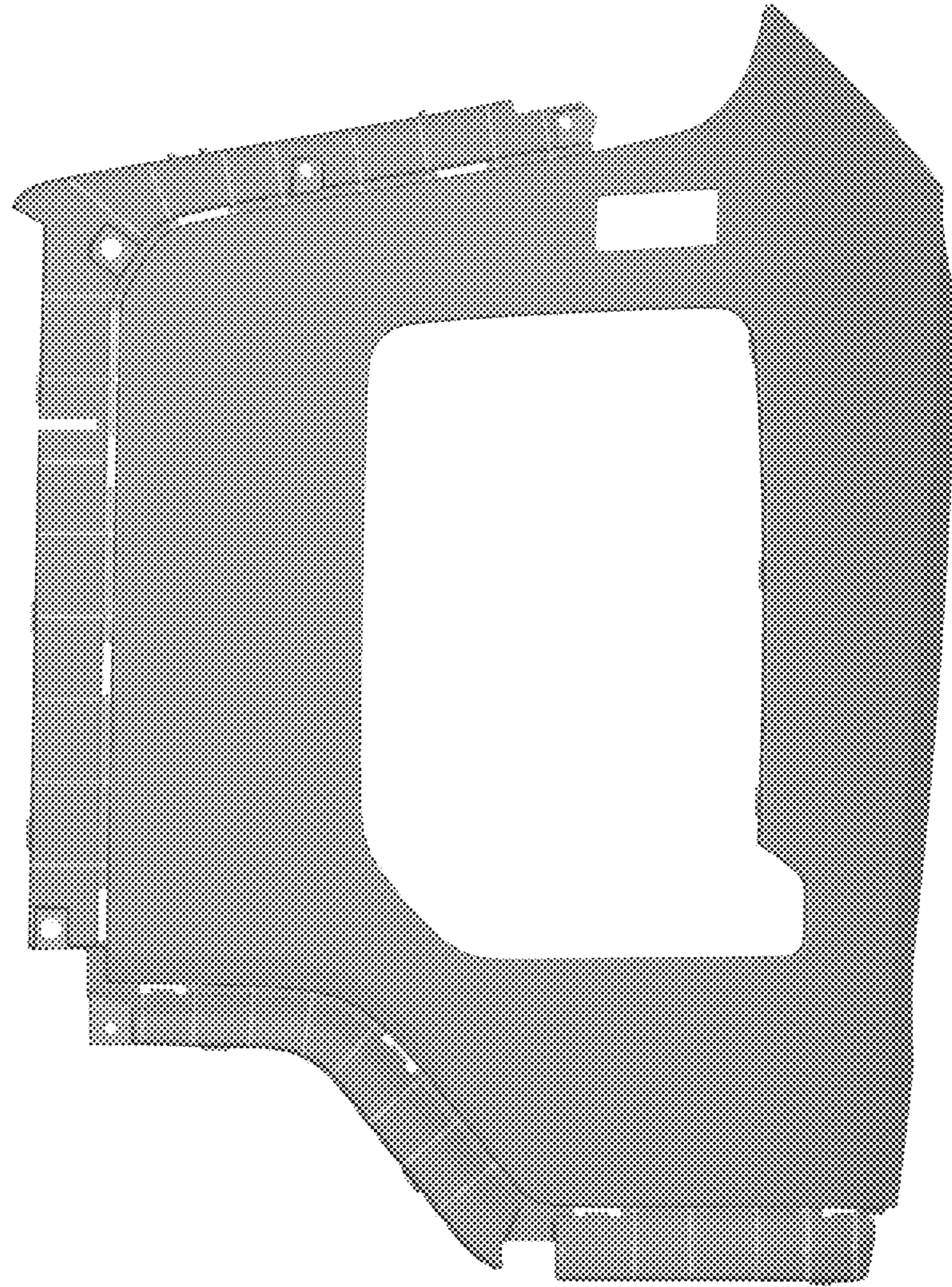
1.6 : Top
1.7 : Bottom

1 Claim, 7 Drawing Sheets

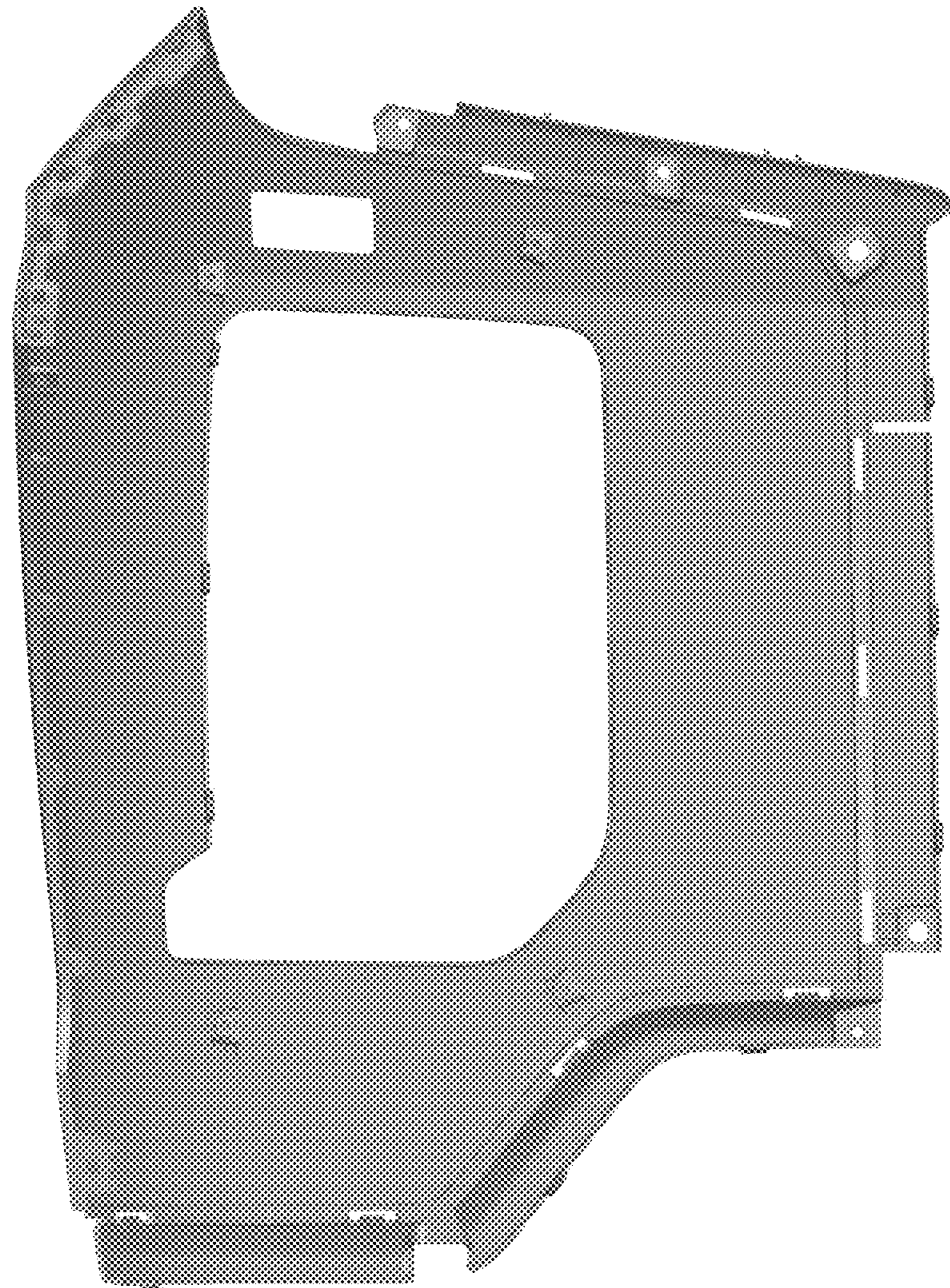


1.1

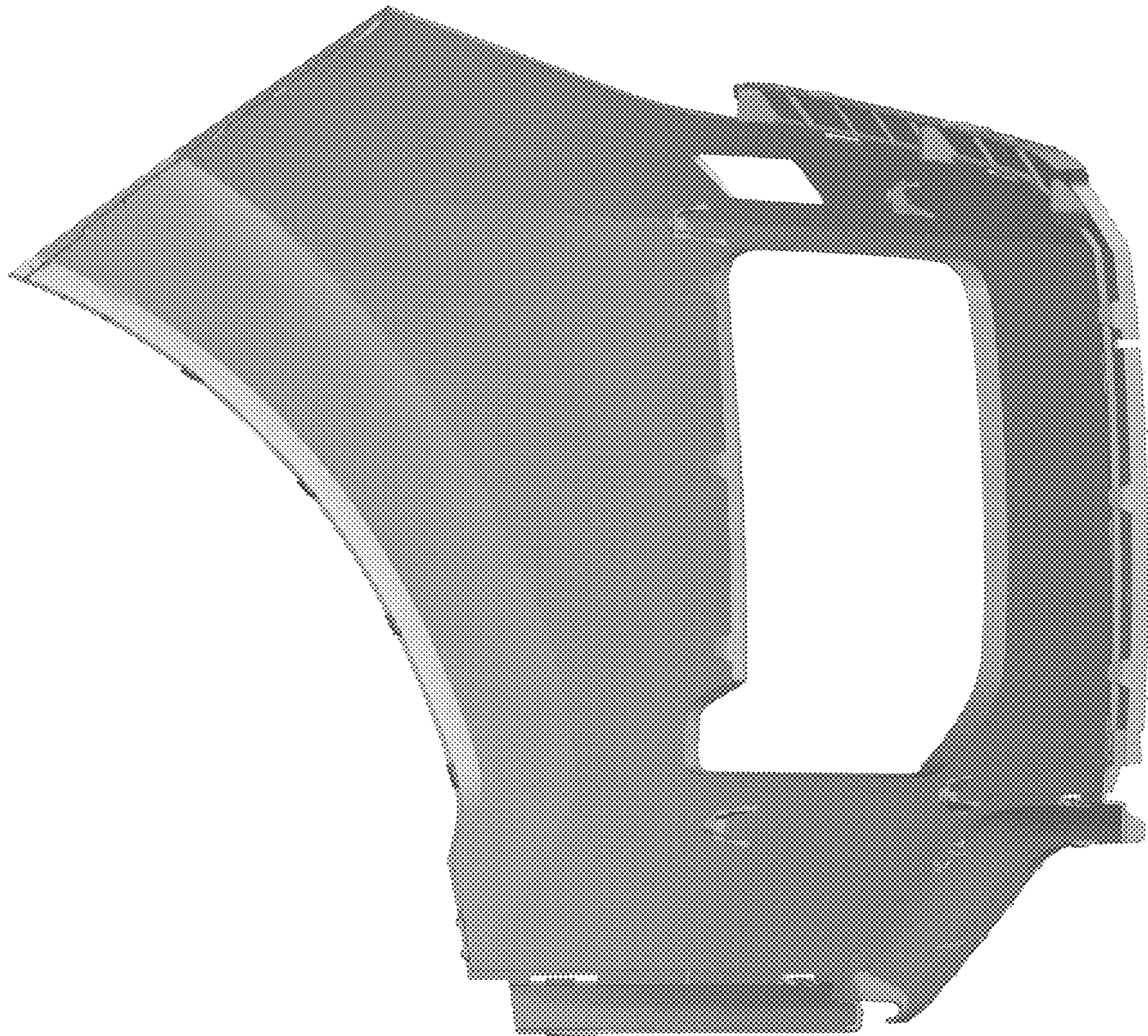
1.2



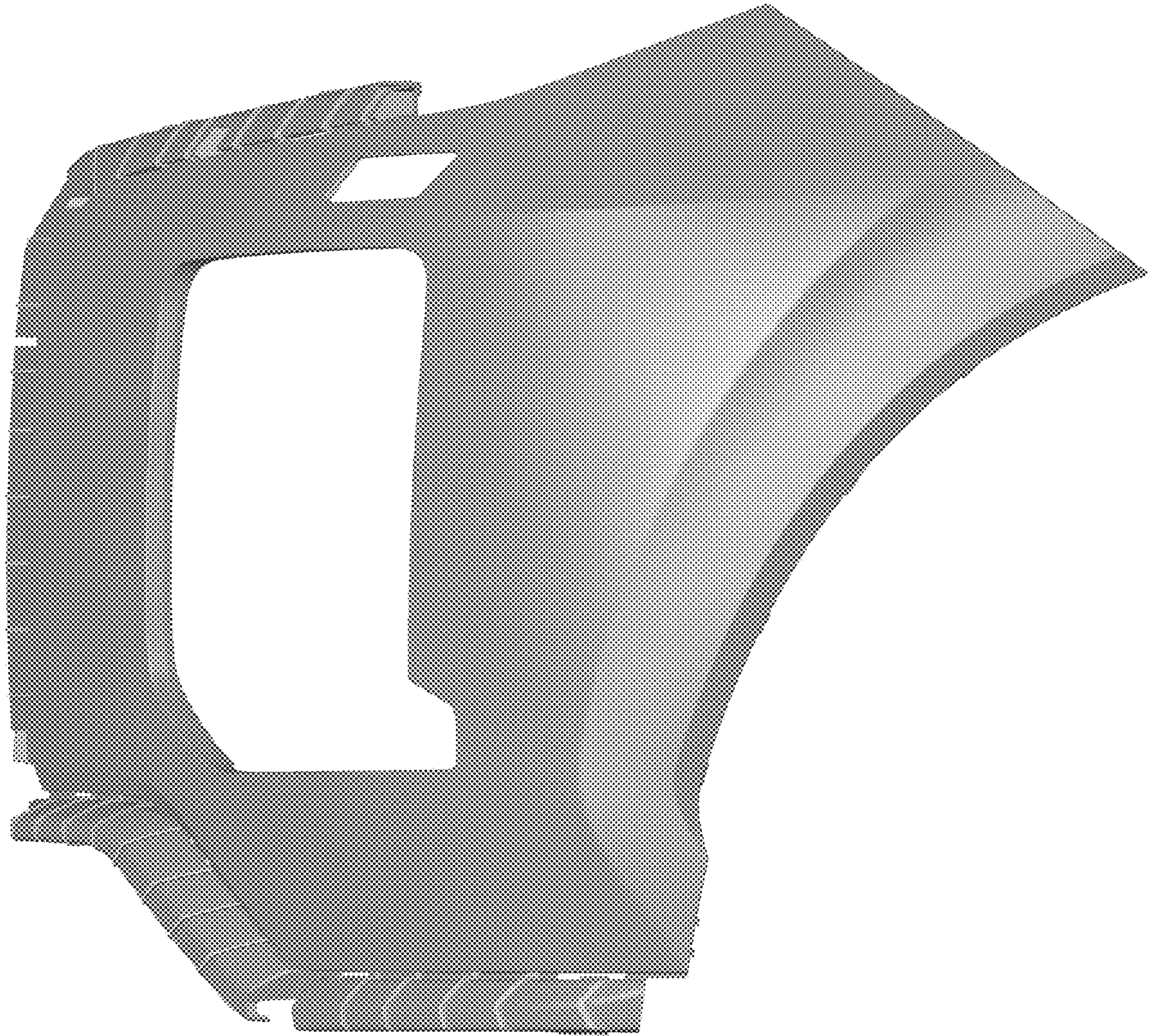
1.3



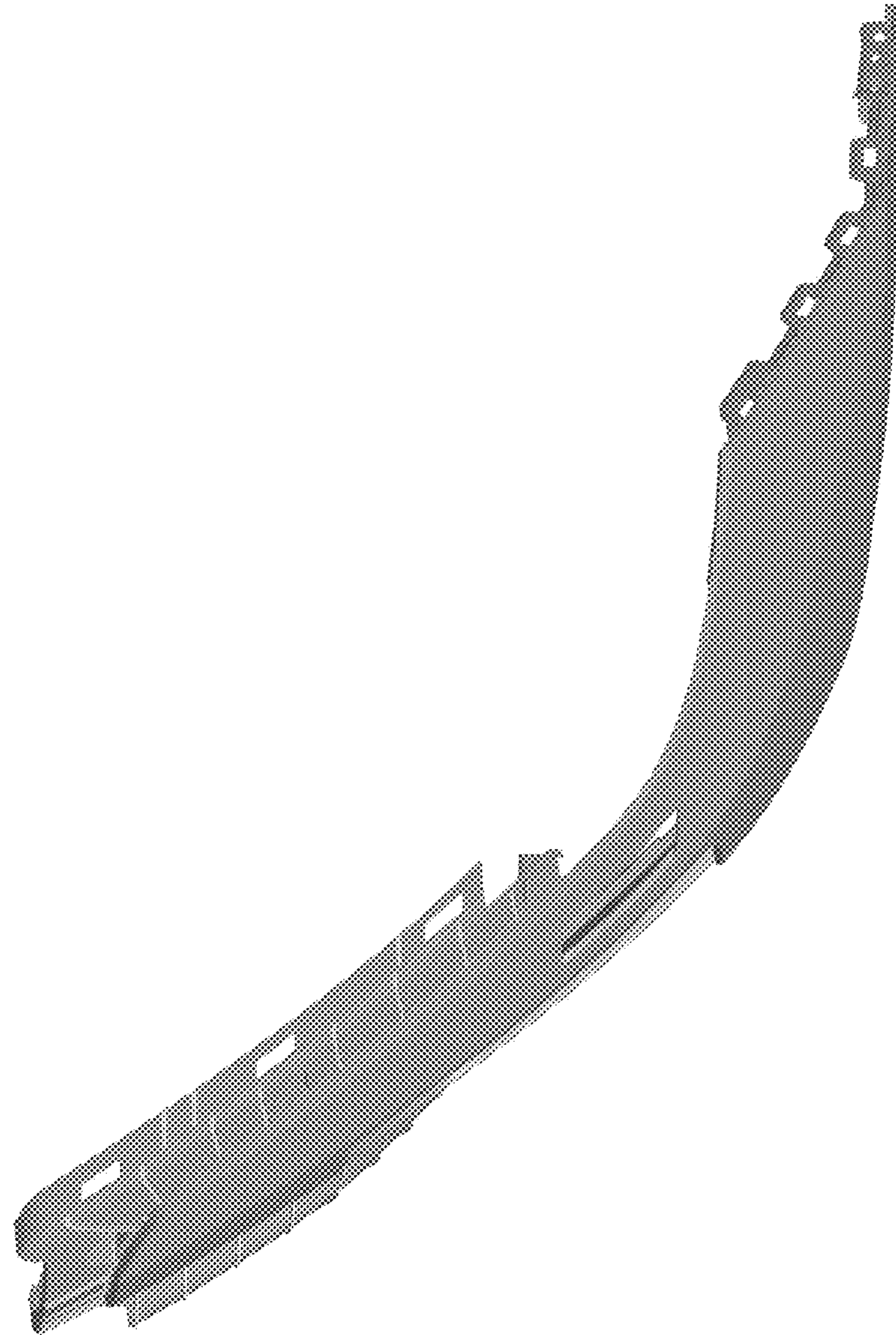
1.4



1.5



1.6



1.7

