



US0D1028783S

(12) **United States Design Patent** (10) **Patent No.:** **US D1,028,783 S**
Yee (45) **Date of Patent:** **** May 28, 2024**

(54) **MEMORIAL MASK PENDANT**

FOREIGN PATENT DOCUMENTS

(71) Applicant: **CURIOSITY GARDENS LLC**,
Arlington, TX (US)

KR 301076046.0000 * 9/2023

(72) Inventor: **Evan Yee**, Brooklyn, NY (US)

OTHER PUBLICATIONS

(73) Assignee: **CURIOSITY GARDENS LLC**,
Arlington, TX (US)

Pandemorial Pendant, available Dec. 24, 2021, online, site visited Oct. 18, 2023. Available online, URL: <https://pandemorial.com/products/pandemorial-pendant> (Year: 2021).*

(**) Term: **15 Years**

Jose Balli—Social Distancing Face Mask Pendant, available Oct. 18, 2023, online, site visited Oct. 18, 2023. Available online, URL: <https://joseballi.com/products/social-distancing-face-mask-pendant> (Year: 2023).*

(21) Appl. No.: **29/817,673**

(22) Filed: **Dec. 2, 2021**

* cited by examiner

(51) **LOC (14) Cl.** **11-01**

(52) **U.S. Cl.**
USPC **D11/81**

(58) **Field of Classification Search**
USPC D11/6-9, 43-45, 79-81, 96-99, 103;
D3/207-212; D24/110.1

CPC A44C 3/00; A44C 3/001; A44C 3/004;
A44C 7/002; A44C 23/00; A44C 25/00;
A44C 25/001; A44C 25/002; A44C
25/004; A44C 25/005; A44C 25/007

See application file for complete search history.

Primary Examiner — W. A. Teddy Falloway

Assistant Examiner — Sarah J Ault

(74) *Attorney, Agent, or Firm* — BEHMKE
INNOVATION GROUP LLC; James J. Wong; James M.
Behmke

(56) **References Cited**

U.S. PATENT DOCUMENTS

D235,687 S * 7/1975 Bragg D24/110.1
D259,817 S * 7/1981 White D24/110.1
D960,353 S * 8/2022 Chiquet D24/110.1
D963,838 S * 9/2022 Yoon D29/108
D983,357 S * 4/2023 Choi D24/110.1
D994,989 S * 8/2023 Yim D29/108
2003/0028946 A1 * 2/2003 Zegarelli A41D 13/11
128/857
2009/0145434 A1 * 6/2009 Herrmann A61M 16/06
128/203.29
2012/0060258 A1 * 3/2012 Stewart B32B 5/022
2/206

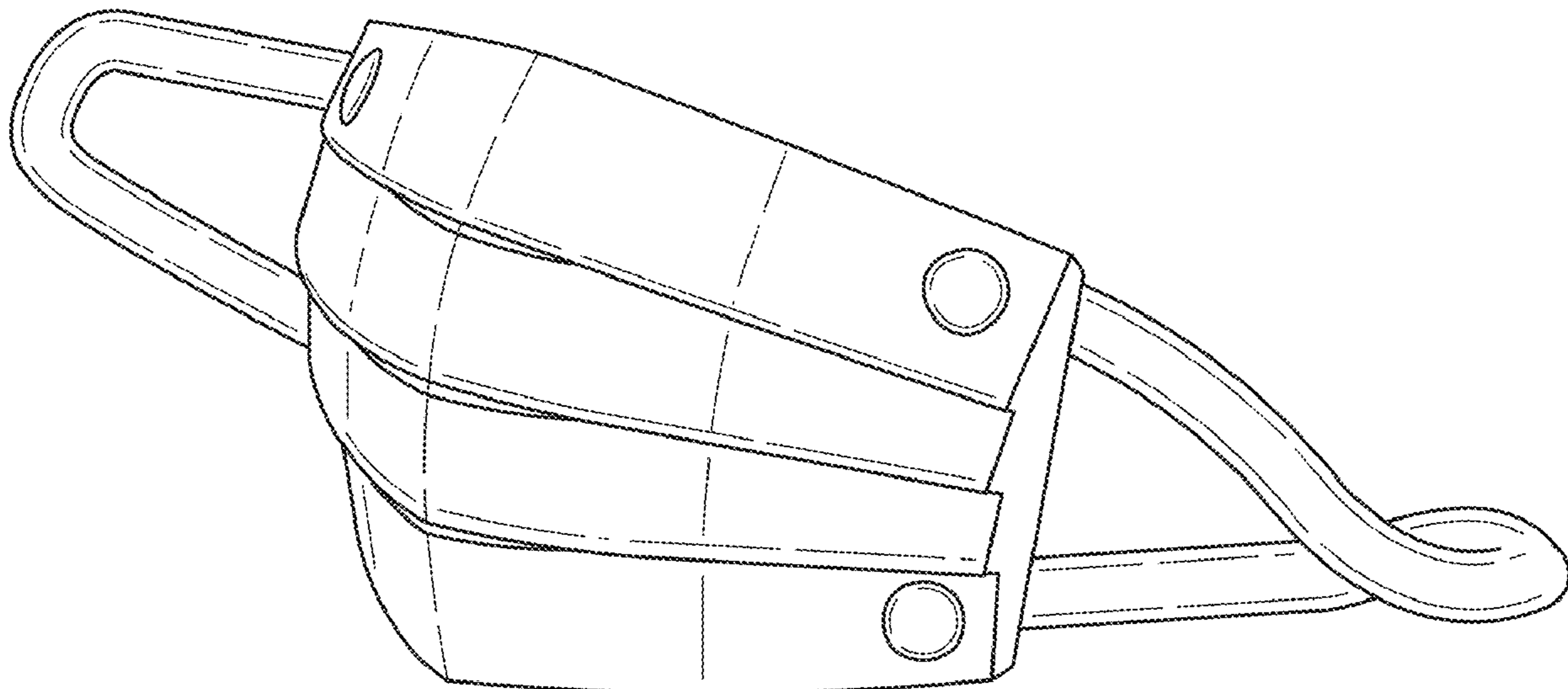
(57) **CLAIM**

The ornamental design for a memorial mask pendant, as shown and described.

DESCRIPTION

FIG. 1 is a perspective view showing the front, top, and right side of my new design;
FIG. 2 is a front view thereof;
FIG. 3 is a back view thereof;
FIG. 4 is a left side view thereof;
FIG. 5 is a right side view thereof;
FIG. 6 is a top view thereof; and,
FIG. 7 is a bottom view thereof.

1 Claim, 7 Drawing Sheets



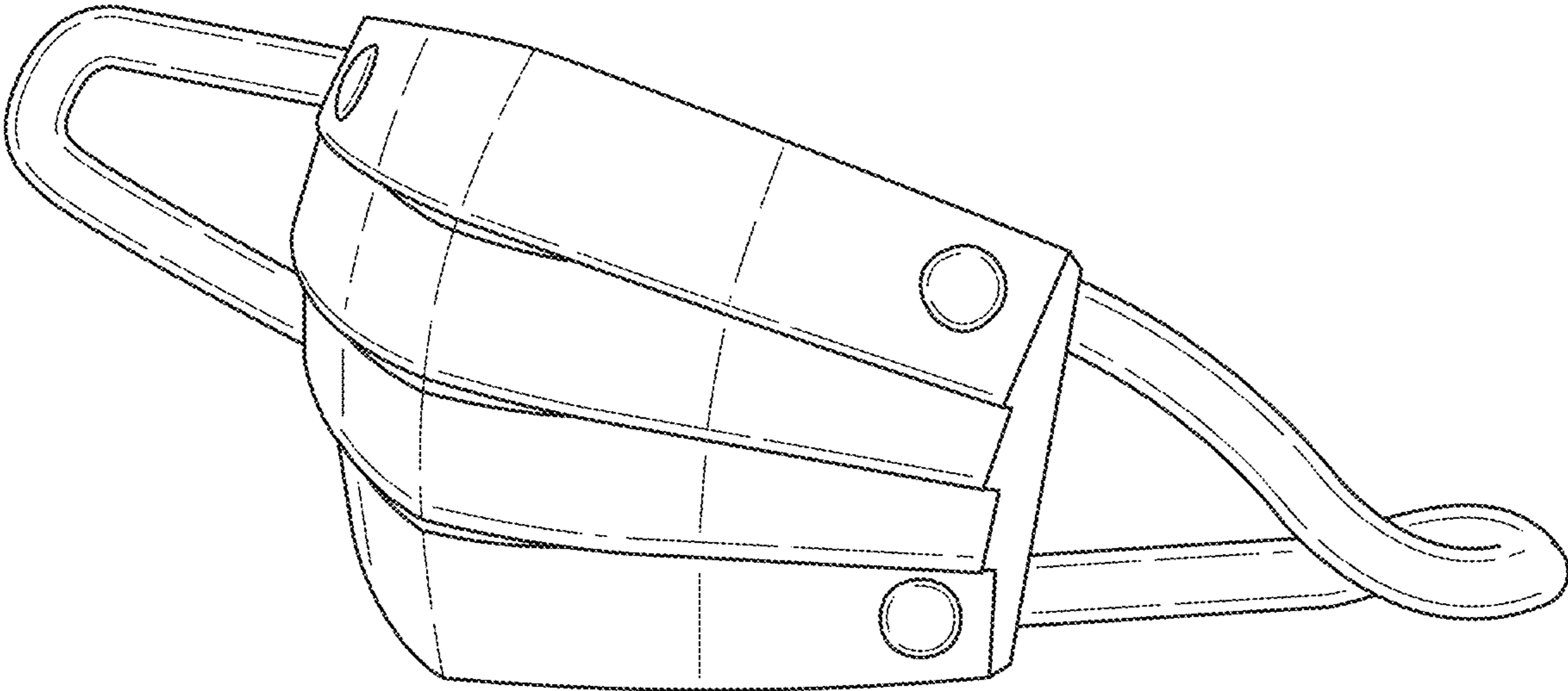


FIG. 1

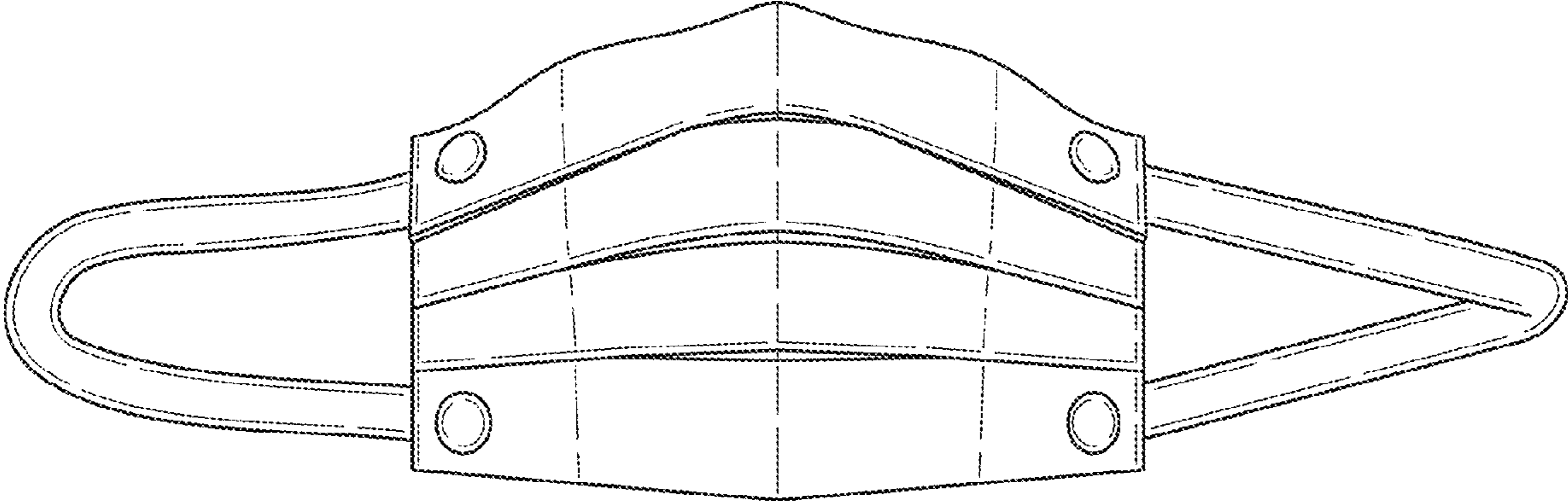


FIG. 2

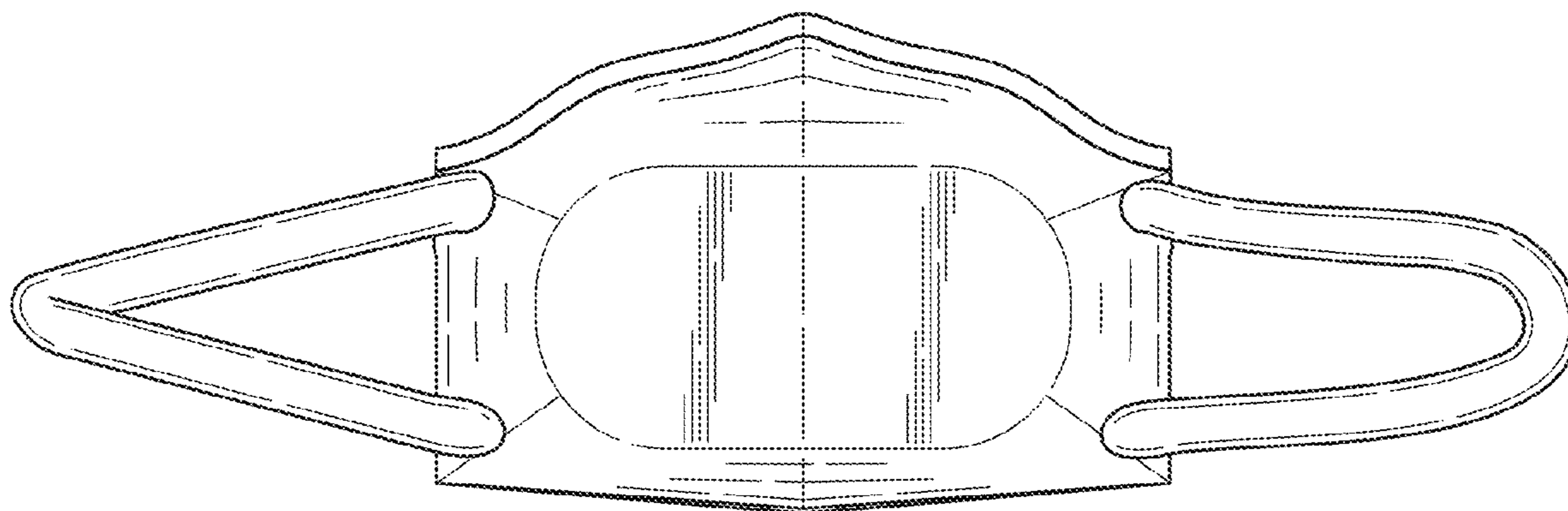


FIG. 3

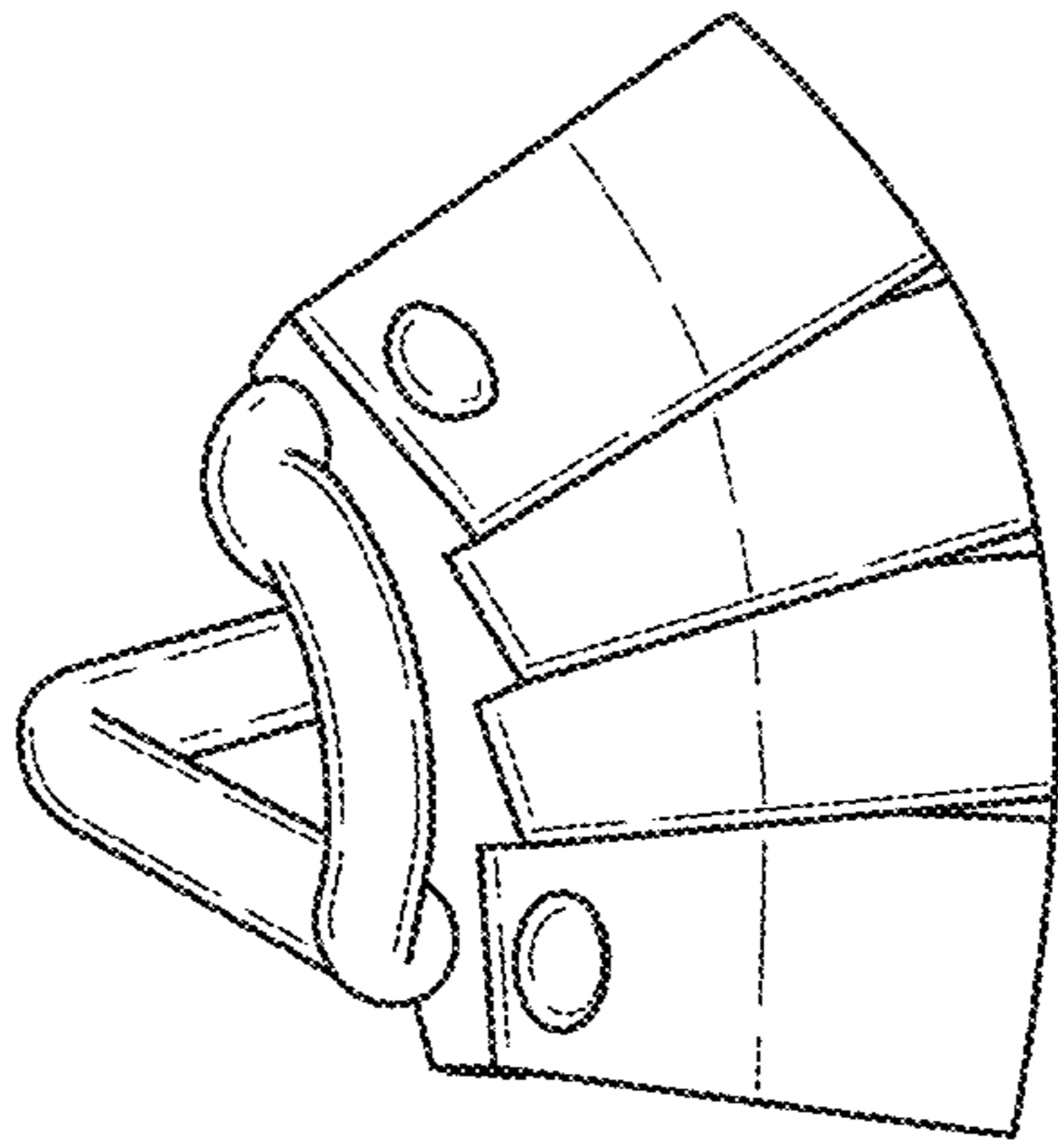


FIG. 4

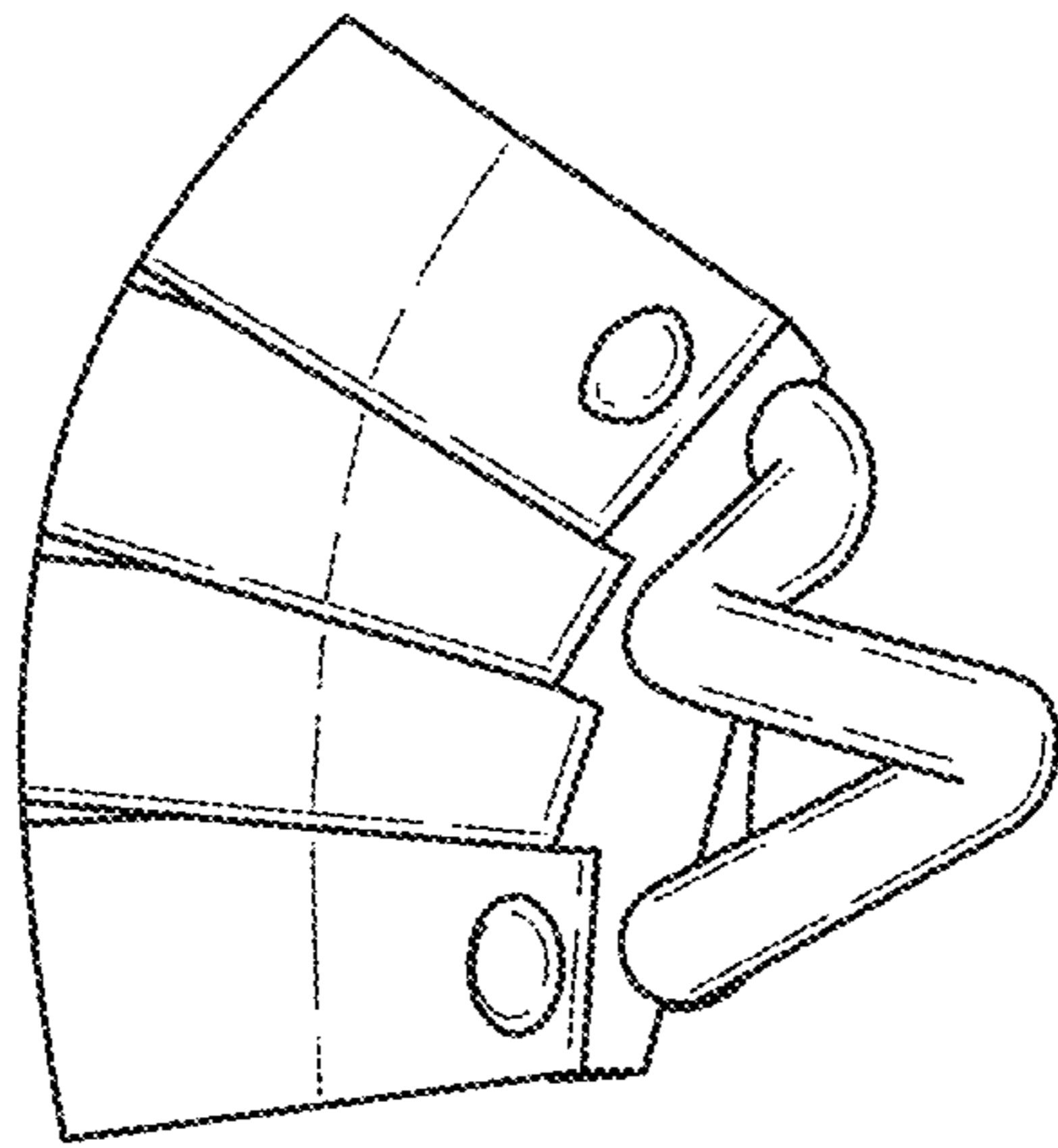


FIG. 5

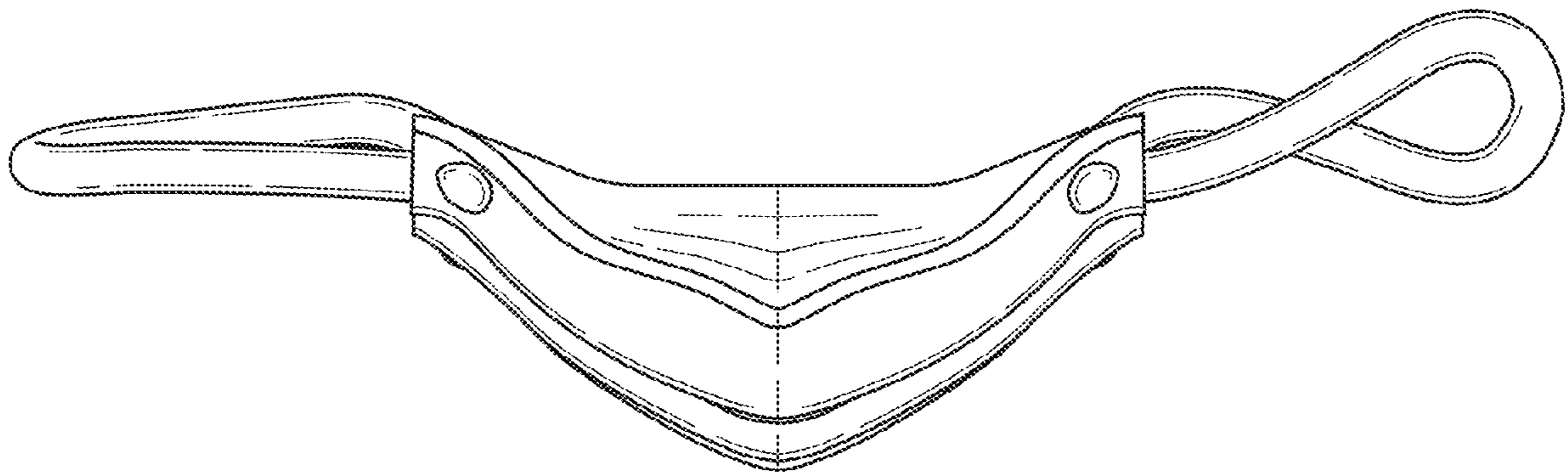


FIG. 6

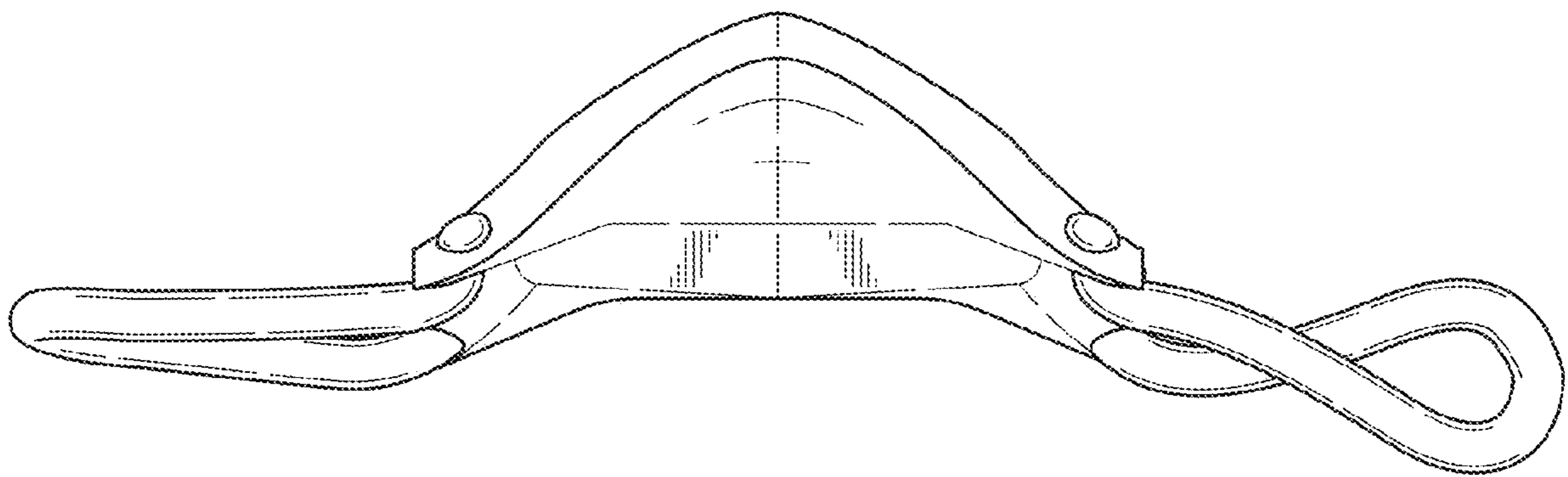


FIG. 7