

US0D1028769S

(12) **United States Design Patent** (10) **Patent No.:** **US D1,028,769 S**  
**Duan** (45) **Date of Patent:** **\*\* May 28, 2024**

(54) **ELECTRIC HORN**  
(71) Applicant: **JiGeng Duan**, Guangdong (CN)  
(72) Inventor: **JiGeng Duan**, Guangdong (CN)  
(\*\*) Term: **15 Years**

(21) Appl. No.: **29/838,098**  
(22) Filed: **May 10, 2022**  
(51) **LOC (14) Cl.** ..... **10-06**  
(52) **U.S. Cl.**  
USPC ..... **D10/120**  
(58) **Field of Classification Search**  
USPC ..... D10/118, 120, 50, 57, 116.1, 118.2,  
D10/121-124, 119.1, 119.2; D12/114;  
D24/133, 186  
CPC ... G08B 3/00; G08B 3/10; G08B 7/00; G08B  
7/06; G10K 1/072; G10K 1/10; G10K  
7/06; G10K 9/12; G10K 9/10; G10K  
9/08; G10K 9/06; G10K 9/04; G10K  
9/02; G10K 9/00; G10K 7/04; G10K  
7/02; G10K 7/005; G10K 7/00  
See application file for complete search history.

(56) **References Cited**

**U.S. PATENT DOCUMENTS**

D45,344 S *	3/1914	Manson	.....	D10/120
D45,363 S *	3/1914	Manson	.....	D10/120
D45,364 S *	3/1914	Manson	.....	D10/120
D45,798 S *	5/1914	Dean	.....	D10/120
D46,672 S *	11/1914	Hawthorne	.....	D10/120
1,226,089 A *	5/1917	Long	.....	B60Q 5/00 116/146
D206,634 S *	1/1967	Gutheart	.....	D10/120
D235,747 S *	7/1975	Sweany	.....	D10/120
D269,417 S *	6/1983	Shintaku	.....	D10/120
D279,771 S *	7/1985	Hinata	.....	D10/120
D279,965 S *	8/1985	Mikami	.....	D10/120
D292,895 S *	11/1987	Hayashi	.....	D10/120
D345,317 S *	3/1994	Issa	.....	D10/120

D361,536 S *	8/1995	Pagani	.....	D10/120
D375,463 S *	11/1996	Bohannon	.....	D14/204
D568,195 S *	5/2008	Solow	.....	G10K 9/22 D10/116.1
D891,283 S *	7/2020	Chen	.....	D10/120
2006/0137595 A1 *	6/2006	Tomassetti	.....	G08B 7/00 116/3

**FOREIGN PATENT DOCUMENTS**

CN 307422856 \* 6/2022

**OTHER PUBLICATIONS**

Busjoy Electric Bike Horn | amazon.com; date first available Aug. 15, 2022 [online]. © 1996-2023, Amazon.com, Inc [retrieved Dec. 12, 2023] from Internet: <https://www.amazon.com/Busjoy-Electric-Electronic-Waterproof-Anti-Slip/dp/B0B9MTQ3JH/ref> (Year: 2022).\*

\* cited by examiner

*Primary Examiner* — Sandra Snapp

*Assistant Examiner* — Molly Loch

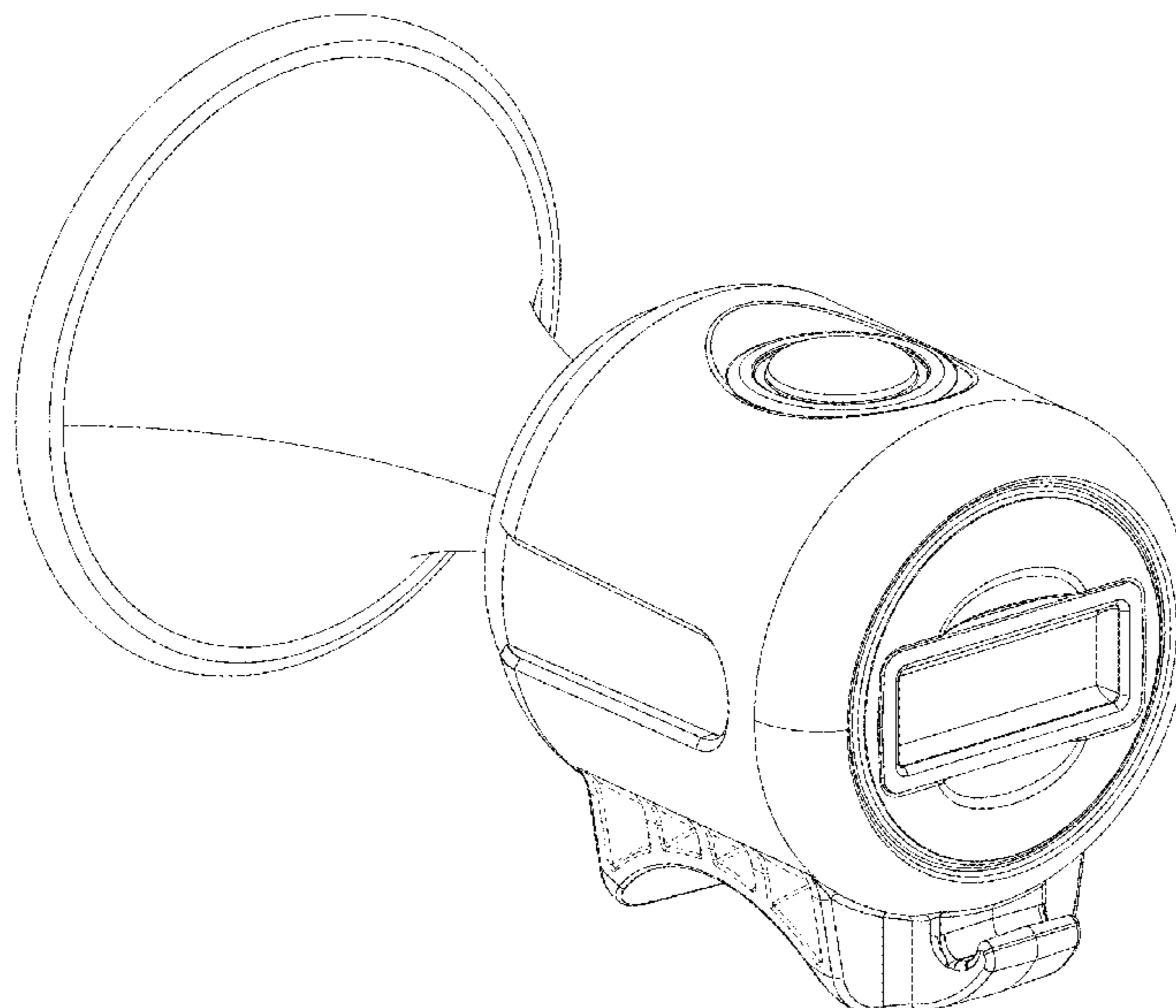
(57) **CLAIM**

The ornamental design for an electric horn, substantially as shown and described.

**DESCRIPTION**

FIG. 1 is a perspective view of an electric horn, showing my new design;  
FIG. 2 is a front elevation view thereof;  
FIG. 3 is a rear elevation view thereof;  
FIG. 4 is a left side elevation view thereof;  
FIG. 5 is a right side elevation view thereof;  
FIG. 6 is a top plan view thereof; and,  
FIG. 7 is a bottom plan view thereof.  
The broken lines show the features of the electric horn that form no part of the claimed design.

**1 Claim, 7 Drawing Sheets**



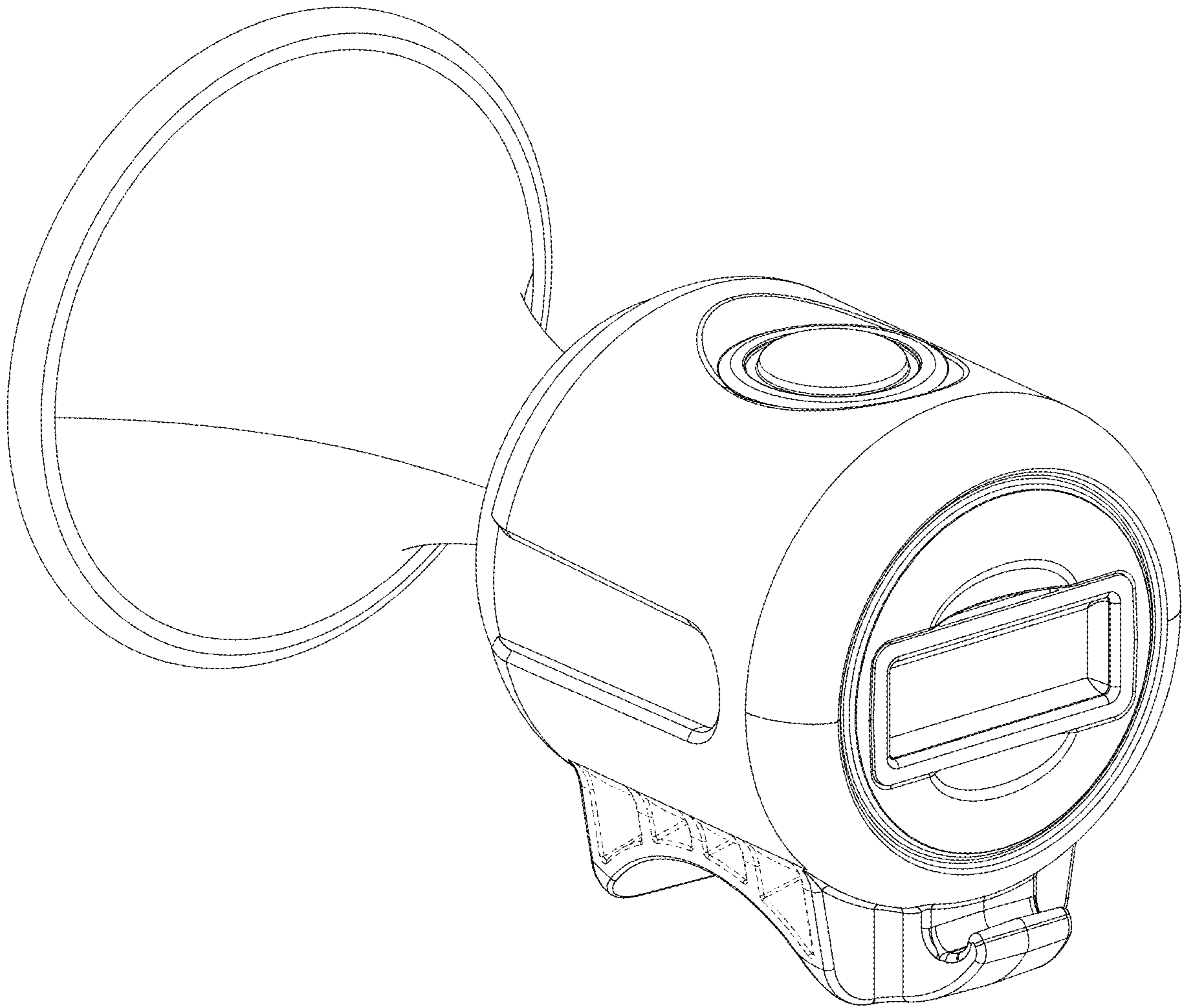


FIG. 1

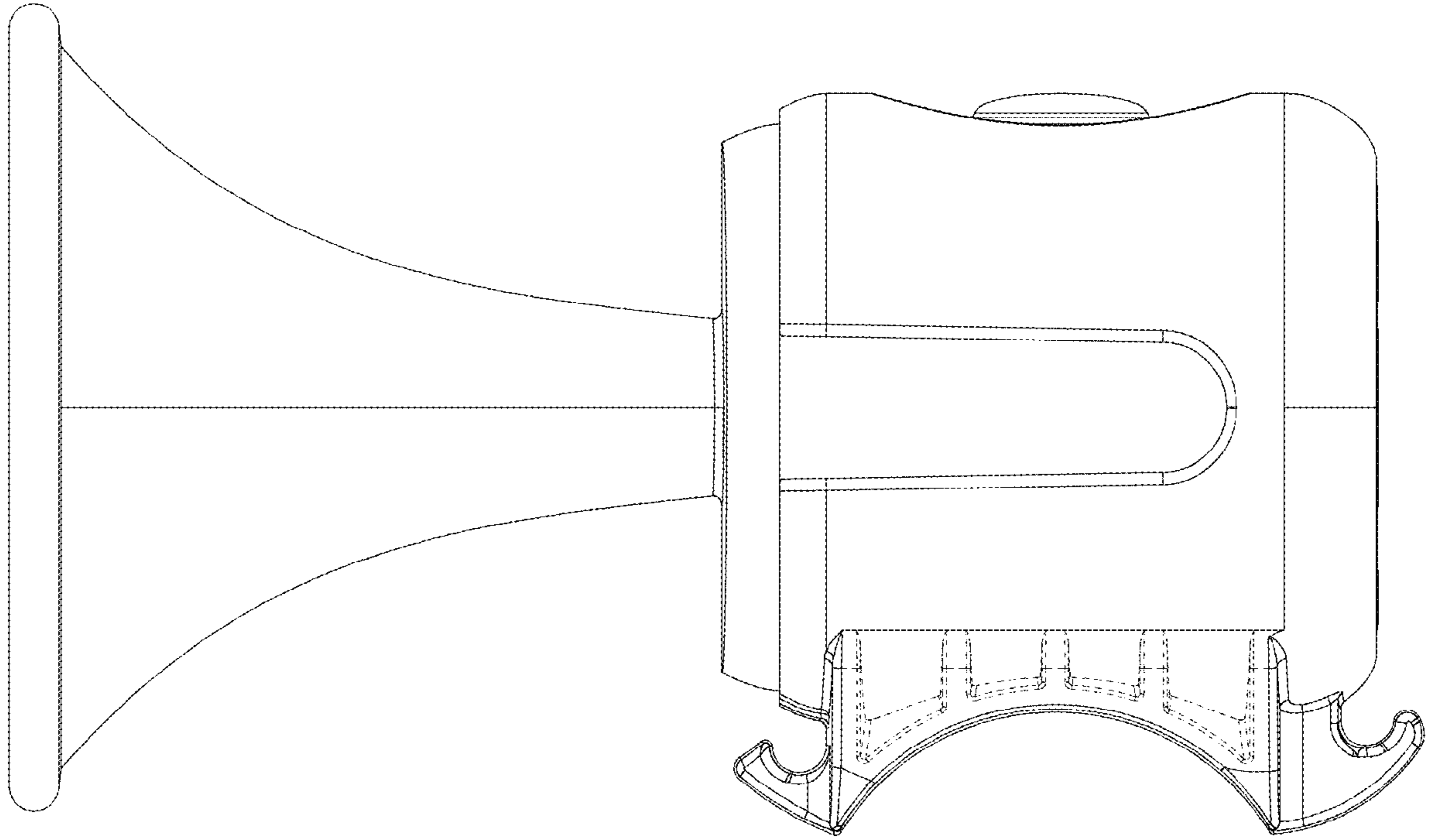


FIG. 2

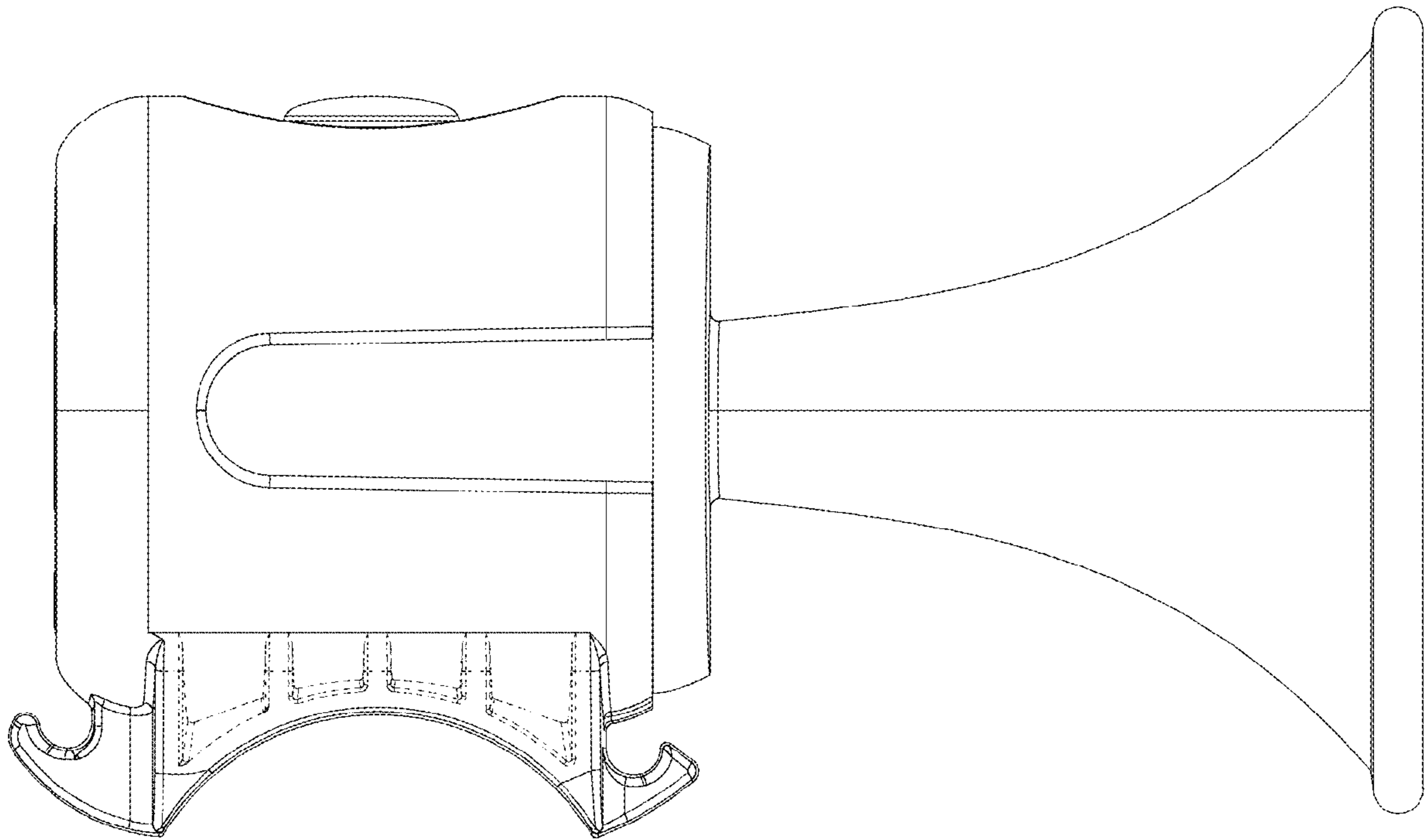


FIG. 3

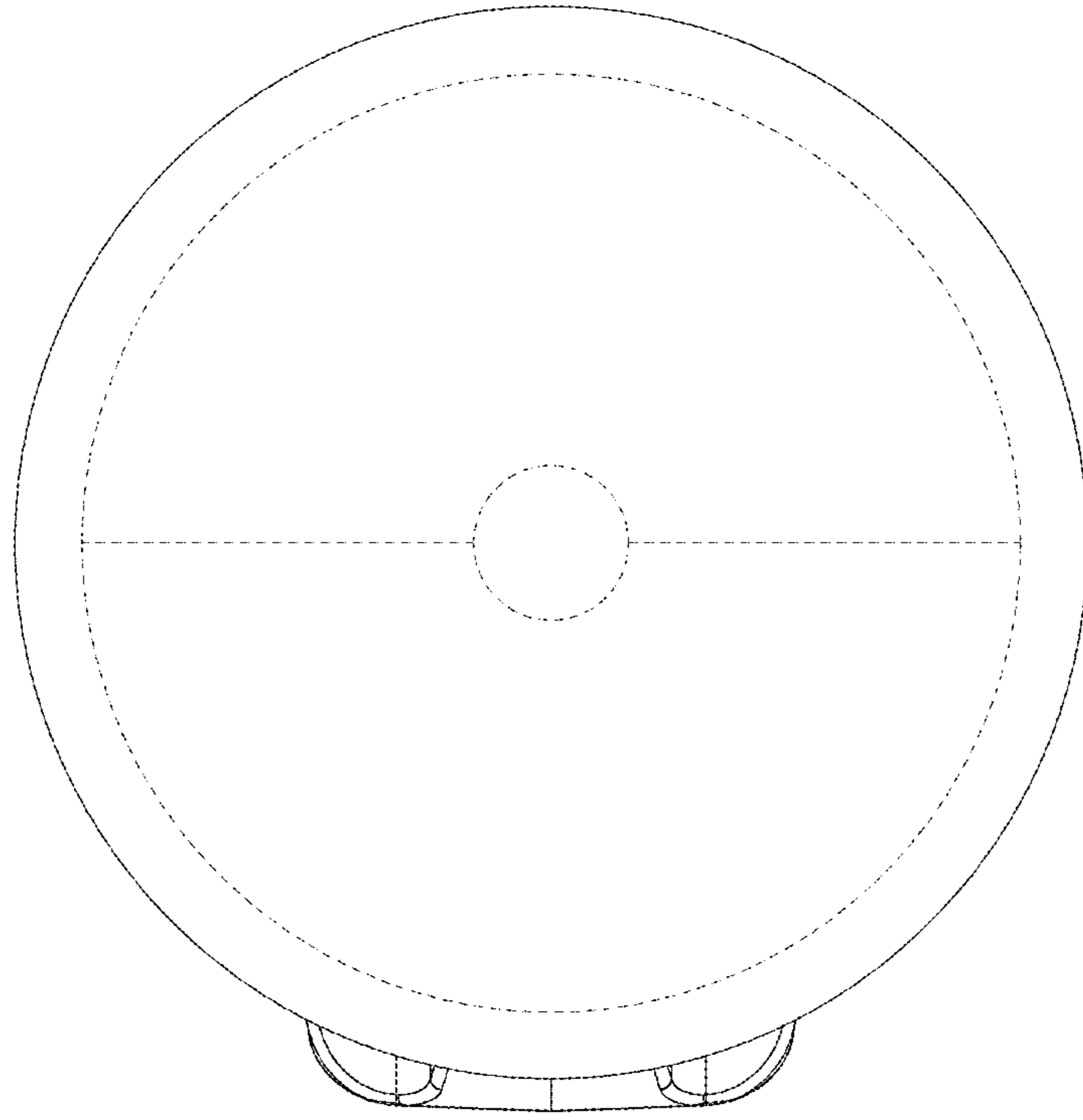


FIG. 4

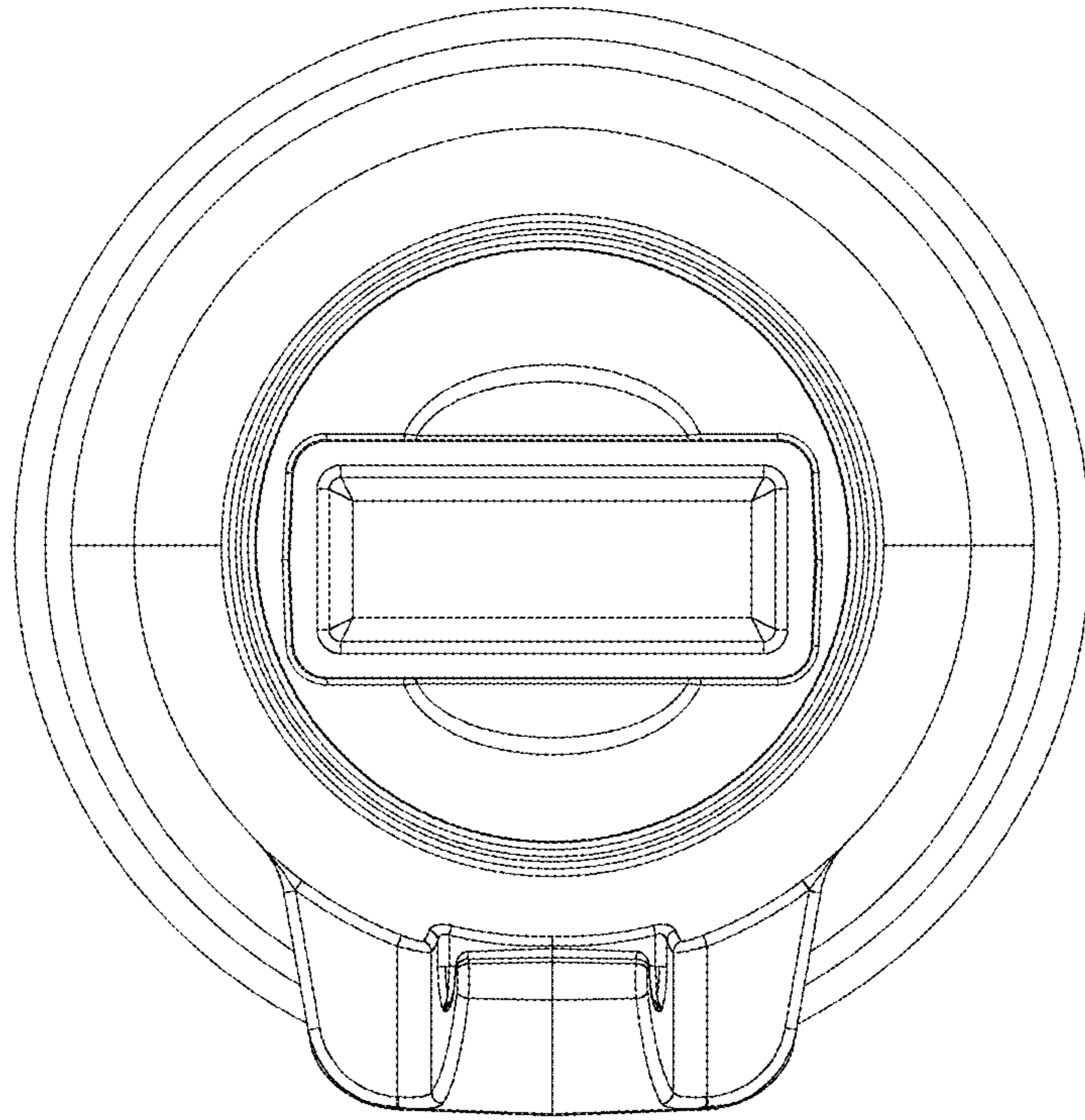


FIG. 5

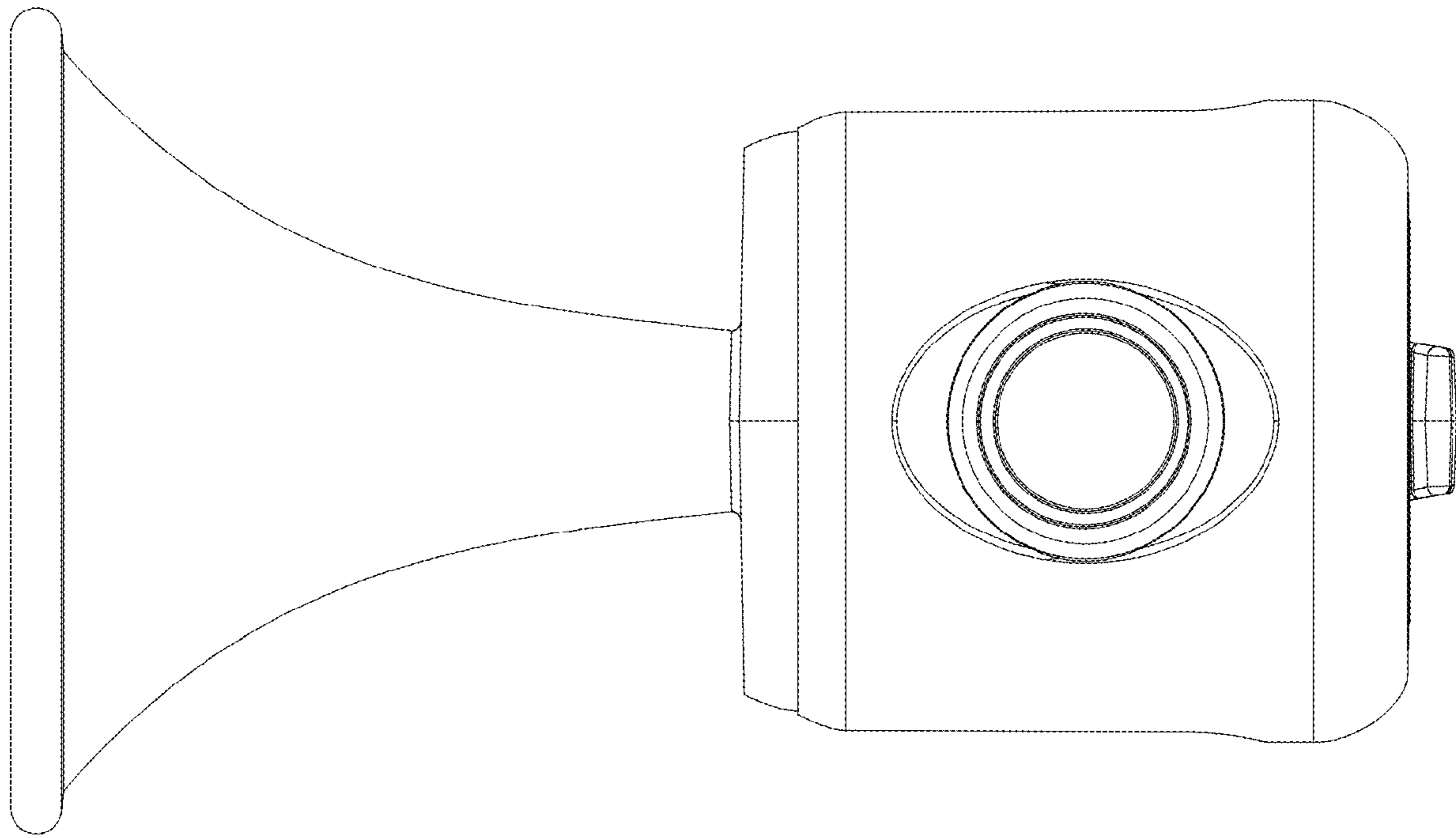


FIG. 6

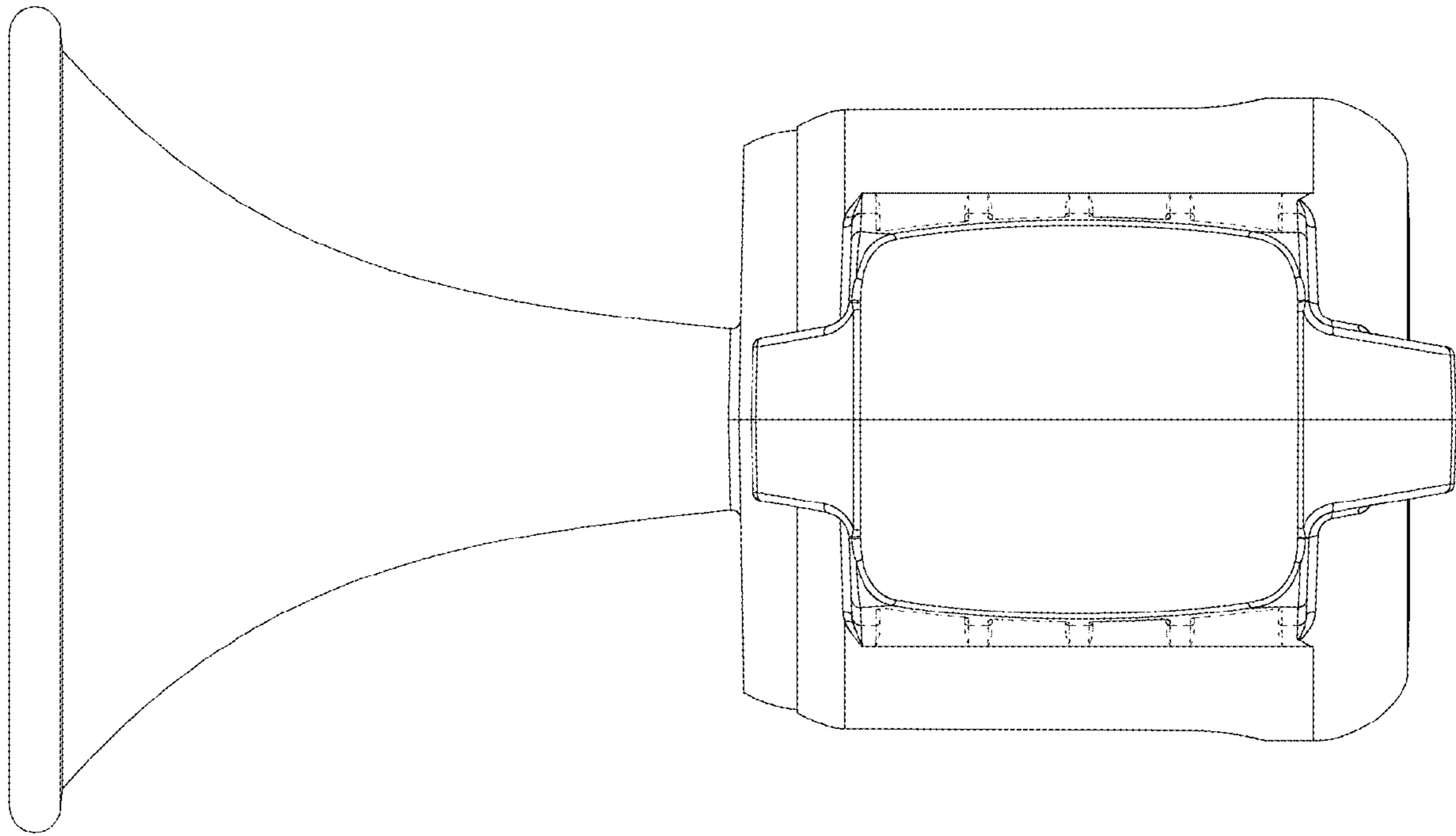


FIG. 7