



US0D1028753S

(12) **United States Design Patent** (10) **Patent No.:** **US D1,028,753 S**  
**Hopkins et al.** (45) **Date of Patent:** **\*\* May 28, 2024**

- (54) **TRACKING DEVICE MOUNT**
- (71) Applicant: **Elevation Lab, Inc.**, Portland, OR (US)
- (72) Inventors: **Casey Hopkins**, Portland, OR (US);  
**Jacob Hull**, Portland, OR (US)
- (73) Assignee: **ELEVATION LAB, INC.**, Portland, OR (US)
- (\*\*) Term: **15 Years**
- (21) Appl. No.: **29/883,595**
- (22) Filed: **Jan. 31, 2023**

5,585,867 A 12/1996 Ooya  
 5,748,087 A 5/1998 Ingargiola et al.  
 D402,805 S 12/1998 Nagano et al.  
 (Continued)

**FOREIGN PATENT DOCUMENTS**

CN 306512384 S 11/2020  
 CN 306806113 S 5/2021  
 (Continued)

**OTHER PUBLICATIONS**

TagVault Surface—the First Waterproof AirTag Adhesive Mount, Amazon, date first available Feb. 16, 2022, (online) URL: [https://www.amazon.com/TagVault-Surface-Ultra-Durable-Stick-Screw/dp/B09ZVPWKK3/ref=sr\\_1\\_1\\_sspa](https://www.amazon.com/TagVault-Surface-Ultra-Durable-Stick-Screw/dp/B09ZVPWKK3/ref=sr_1_1_sspa) (Year: 2022).  
 (Continued)

*Primary Examiner* — George D. Kirschbaum  
*Assistant Examiner* — Antoinette Martine Suiter  
 (74) *Attorney, Agent, or Firm* — Kolitch Romano  
 Dascenzo Gates LLC

**Related U.S. Application Data**

- (63) Continuation of application No. 29/855,866, filed on Oct. 7, 2022.
- (51) **LOC (14) Cl.** ..... **10-04**
- (52) **U.S. Cl.**  
USPC ..... **D10/70**
- (58) **Field of Classification Search**  
USPC ..... D10/60, 65, 70, 75, 78, 80, 103, 106.5;  
D24/187; D14/230; D8/352  
CPC ..... G06F 11/3476; G06F 1/163; G06F 17/00  
See application file for complete search history.

(57) **CLAIM**

The ornamental design for a tracking device mount, as shown and described.

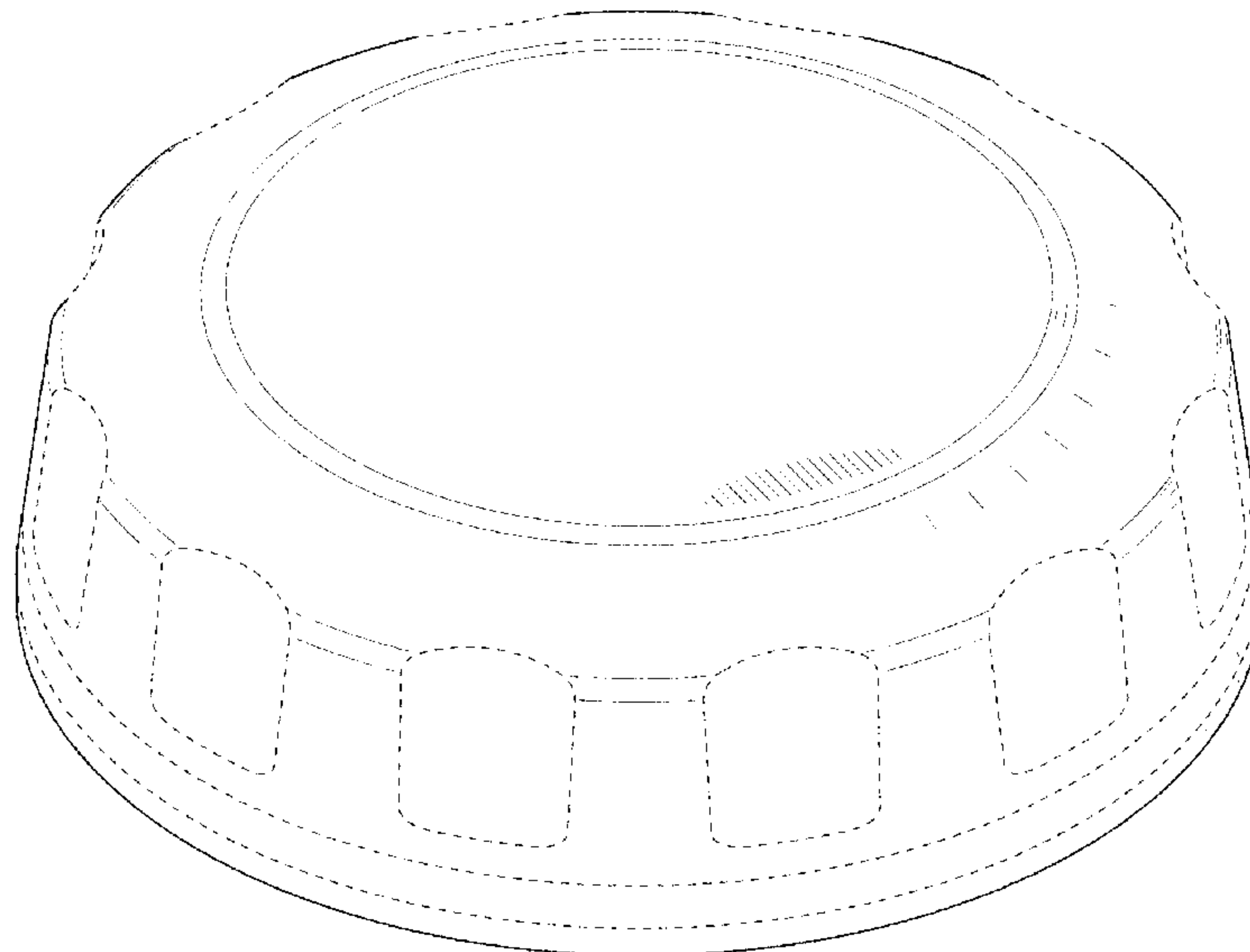
**DESCRIPTION**

FIG. 1 is a top perspective view of a tracking device mount showing the new design;  
 FIG. 2 is a front elevation view thereof, the rear elevation view is a mirror image;  
 FIG. 3 is a top view thereof;  
 FIG. 4 is a bottom view thereof; and,  
 FIG. 5 is a side view thereof.  
 The dashed lines shown in the drawings illustrate portions of the tracking device mount that form no part of the claimed design.

(56) **References Cited**  
U.S. PATENT DOCUMENTS

675,213 A	5/1901	Harris
714,538 A	11/1902	Walter
1,785,186 A	12/1930	Day
2,013,485 A	9/1935	Bary et al.
2,491,166 A	12/1949	Di Stiso
2,515,551 A	7/1950	Cohen
3,312,255 A	4/1967	Ellison
3,608,685 A	9/1971	Childress
3,953,722 A	4/1976	Stick
4,531,310 A	7/1985	Acson et al.
4,597,206 A	7/1986	Benson
D375,695 S	11/1996	Narai

**1 Claim, 5 Drawing Sheets**



(56)

References Cited

U.S. PATENT DOCUMENTS

5,878,698 A 3/1999 Lyell  
 D407,985 S 4/1999 Pimentel  
 D409,086 S 5/1999 Brown et al.  
 D414,186 S 9/1999 Hogenbirk  
 D415,480 S \* 10/1999 Kendall ..... D14/460  
 D440,397 S 4/2001 Bardet  
 6,243,870 B1 6/2001 Graber  
 D447,067 S 8/2001 Vollenweider  
 D511,699 S 11/2005 Pan  
 6,970,090 B1 11/2005 Sciarra  
 D556,938 S \* 12/2007 Russello ..... D26/89  
 D571,557 S 6/2008 Lawler  
 D575,649 S 8/2008 Scalisi et al.  
 D598,018 S 8/2009 Sumii  
 7,598,869 B2 10/2009 Kumagai et al.  
 D609,123 S \* 2/2010 Pace ..... D10/65  
 7,780,972 B2 8/2010 Hurwitz  
 D632,853 S 2/2011 Hardi et al.  
 D633,644 S \* 3/2011 Sprengers ..... D26/89  
 D647,227 S \* 10/2011 Kaule ..... D26/24  
 8,148,701 B2 4/2012 Yoder  
 D661,846 S 6/2012 Miller et al.  
 8,195,313 B1 \* 6/2012 Fadell ..... F24F 11/67  
 236/1 C  
 D666,367 S 8/2012 Miller et al.  
 D683,251 S 5/2013 Dumas et al.  
 D703,394 S 4/2014 Bozeman  
 D713,103 S 9/2014 Sproviero et al.  
 D726,161 S \* 4/2015 Howard ..... D14/218  
 D729,773 S 5/2015 Salojarvi et al.  
 D735,131 S 7/2015 Akana et al.  
 D750,980 S \* 3/2016 Takach ..... D10/50  
 D752,588 S 3/2016 Li  
 D757,585 S \* 5/2016 Højmosse ..... D10/106.1  
 D757,587 S \* 5/2016 Li ..... D10/106.6  
 9,526,433 B2 12/2016 Lapetina et al.  
 D779,977 S 2/2017 Jacob et al.  
 D781,572 S 3/2017 Duval  
 D783,422 S 4/2017 Kashimoto  
 D790,514 S 6/2017 Woodward et al.  
 D795,109 S 8/2017 Olodort et al.  
 D803,410 S \* 11/2017 Im ..... D24/169  
 D804,533 S \* 12/2017 Mangum ..... D14/496  
 D812,577 S \* 3/2018 Turksu ..... D10/104.1  
 D817,332 S 5/2018 Yaprak et al.  
 D817,558 S 5/2018 Lee et al.  
 D817,793 S 5/2018 Vu et al.  
 D818,854 S 5/2018 Kachar et al.  
 D820,238 S 6/2018 Boshernitzan et al.  
 D820,318 S 6/2018 Mullins et al.  
 9,996,996 B2 6/2018 Siebels et al.  
 D822,921 S 7/2018 Wen  
 D822,922 S 7/2018 Wen  
 D825,549 S \* 8/2018 Lebovitz ..... D14/253  
 D826,748 S 8/2018 Kim et al.  
 10,176,691 B2 1/2019 Smoak  
 D843,238 S \* 3/2019 Rose ..... D10/50  
 10,271,524 B2 4/2019 Chen  
 10,305,178 B2 5/2019 Gibson et al.  
 D852,150 S \* 6/2019 Turksu ..... D13/183  
 D854,950 S \* 7/2019 Seum ..... D10/101  
 D858,904 S 9/2019 Zinn et al.  
 D865,859 S 11/2019 Ben Avi  
 D867,909 S 11/2019 Kachar  
 D870,399 S 12/2019 Van Curen et al.  
 D883,581 S 5/2020 Daly et al.  
 D890,002 S 7/2020 Cound et al.  
 D890,754 S 7/2020 Raken et al.  
 D895,465 S \* 9/2020 Loew ..... D10/106.6  
 D896,798 S \* 9/2020 Yang ..... D14/230  
 D898,613 S 10/2020 Stapleton  
 D900,812 S 11/2020 Friedman et al.  
 D911,191 S \* 2/2021 Qi ..... D10/50  
 D920,138 S 5/2021 Kuwashiro et al.  
 D926,396 S 7/2021 Jia

D929,051 S 8/2021 Li  
 11,160,335 B2 11/2021 Eidelman et al.  
 D938,668 S 12/2021 Jia  
 D939,972 S \* 1/2022 Erbacher ..... D10/49  
 11,224,301 B2 1/2022 Delgado Carmona  
 D943,438 S 2/2022 Chen  
 D943,845 S 2/2022 Li  
 11,308,744 B1 4/2022 Exantus  
 D952,961 S 5/2022 Li  
 D956,765 S 7/2022 Lee et al.  
 11,393,319 B1 7/2022 Maisano, II et al.  
 D960,013 S \* 8/2022 Konen ..... D10/106.1  
 D960,129 S 8/2022 Karimi et al.  
 D960,562 S 8/2022 Lee et al.  
 D964,667 S 9/2022 Mo  
 D970,372 S 11/2022 Aneja  
 D977,278 S \* 2/2023 Ramm ..... D6/526  
 D983,066 S 4/2023 Wright et al.  
 D983,786 S \* 4/2023 Herrmann ..... D14/358  
 2002/0197960 A1 12/2002 Lee et al.  
 2006/0061546 A1 3/2006 Jong  
 2007/0034165 A1 2/2007 Yang  
 2007/0253192 A1 \* 11/2007 Monteiro ..... F21V 15/00  
 362/147  
 2008/0165056 A1 7/2008 Bader  
 2008/0198585 A1 8/2008 Tait  
 2009/0322480 A1 12/2009 Benedict et al.  
 2010/0147854 A1 6/2010 Fauveau  
 2010/0238033 A1 9/2010 Blumel et al.  
 2012/0033898 A1 2/2012 Barron  
 2012/0118980 A1 5/2012 Yoder  
 2012/0147594 A1 6/2012 Tait  
 2013/0208938 A1 8/2013 Midha  
 2014/0002239 A1 1/2014 Rayner  
 2014/0180019 A1 6/2014 Martinez et al.  
 2014/0331942 A1 11/2014 Sarazyn  
 2015/0150319 A1 6/2015 Walmsley  
 2015/0297134 A1 10/2015 Albert et al.  
 2015/0356861 A1 12/2015 Daoura et al.  
 2015/0356862 A1 12/2015 Daoura et al.  
 2015/0359127 A1 12/2015 Daoura et al.  
 2016/0058149 A1 3/2016 Dhanasekaran  
 2016/0071392 A1 3/2016 Hankey et al.  
 2016/0247156 A1 8/2016 Hwang et al.  
 2016/0247379 A1 8/2016 Forbes  
 2016/0266606 A1 9/2016 Ricci  
 2016/0291162 A1 10/2016 Larkins  
 2017/0079336 A1 3/2017 Hirschberg et al.  
 2017/0135315 A1 5/2017 Marmen et al.  
 2017/0135414 A1 5/2017 Fultz  
 2017/0302099 A1 10/2017 Bolden et al.  
 2017/0360169 A1 12/2017 Stein  
 2018/0299991 A1 10/2018 Juhasz et al.  
 2018/0325426 A1 11/2018 Shaw et al.  
 2019/0103012 A1 4/2019 Daoura et al.  
 2020/0107522 A1 4/2020 Kersey et al.  
 2020/0169848 A1 5/2020 Daoura et al.  
 2020/0337162 A1 10/2020 Perkins et al.  
 2020/0352300 A1 11/2020 Sube  
 2021/0020020 A1 1/2021 Rothschild et al.  
 2021/0274315 A1 9/2021 Daoura et al.  
 2021/0274754 A1 9/2021 Talley et al.  
 2021/0306807 A1 9/2021 Kashani-Nejad et al.  
 2021/0307294 A1 10/2021 Kimbel  
 2022/0051182 A1 2/2022 Fox et al.  
 2022/0140431 A1 5/2022 Moon  
 2022/0265214 A1 8/2022 Jariwala et al.  
 2023/0109754 A1 4/2023 Newton

FOREIGN PATENT DOCUMENTS

CN 306806204 S 6/2021  
 CN 306820796 S 6/2021  
 CN 307127923 S 9/2021  
 CN 307552161 S 4/2022  
 DE 3929468 C1 3/1991  
 EM 008844344-0001 S 3/2022  
 EM 008869267-0006 S 3/2022  
 GB 6189757 S 2/2022



(56)

**References Cited**

## FOREIGN PATENT DOCUMENTS

GB	6194869 S	3/2022
GB	6194870 S	3/2022
JP	H0544379 U	6/1993
WO	2022251483 A1	12/2022
WO	WO2013117879 A1	8/2023

## OTHER PUBLICATIONS

Catalyst Lifestyle Limited, "Stick-It" Product Page, <https://catalystlifestyle.com/products/total-protection-airtag-stick-it-case?variant=39616587038829>, (Apr. 24, 2023).

EBay, "2-Pack Waterproof Airtag Sticker Mount Case for Apple Hidden Air Tag Adhesive," <https://ebay.com/itm/195579903589>, (Apr. 24, 2023).

New IPX8 Waterproof AirTag Holder/Case, Amazon, date first available Nov. 16, 2022, (online) URL: <https://www.amazon.com/Waterproof-Adhesive-Sticker-Compatible-Luggage/dp/B0BML9SKPX> (Year: 2022).

[Upgrade] IPX8 Waterproof Airtag Sticker Mount, date first available Jan. 12, 2023, (online) URL: <https://www.amazon.ca/Upgrade-Waterproof-Adhesive-Protective-Shockproof/dp/B0BRMGPWVK?th=1> (Year: 2023).

Machine-generated English language translation of German Patent No. 3929468C1 (Mar. 7, 1991).

Machine-generated English language translation of Japanese Patent No. JPH0544379U (Jun. 15, 1993).

\* cited by examiner

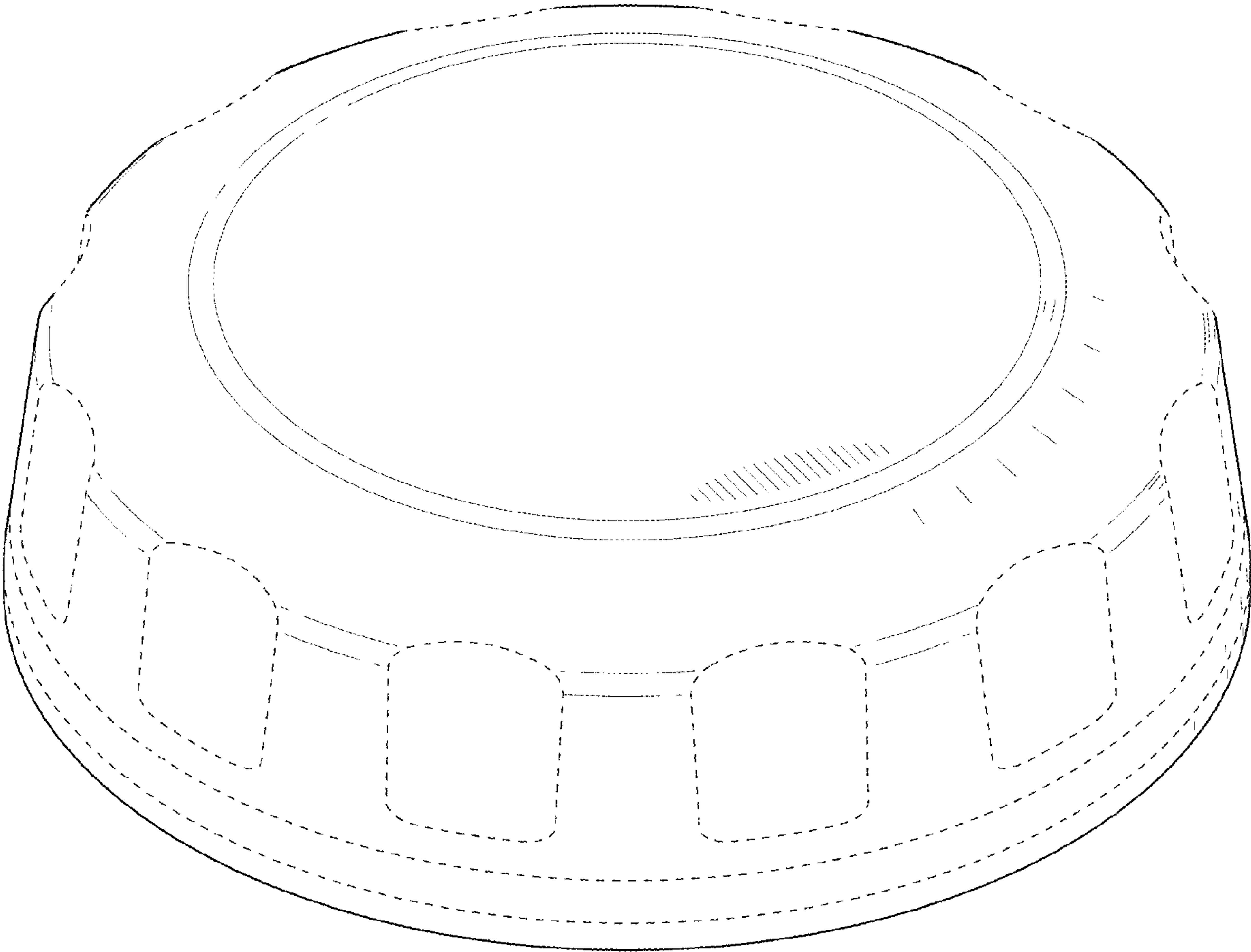


FIG. 1

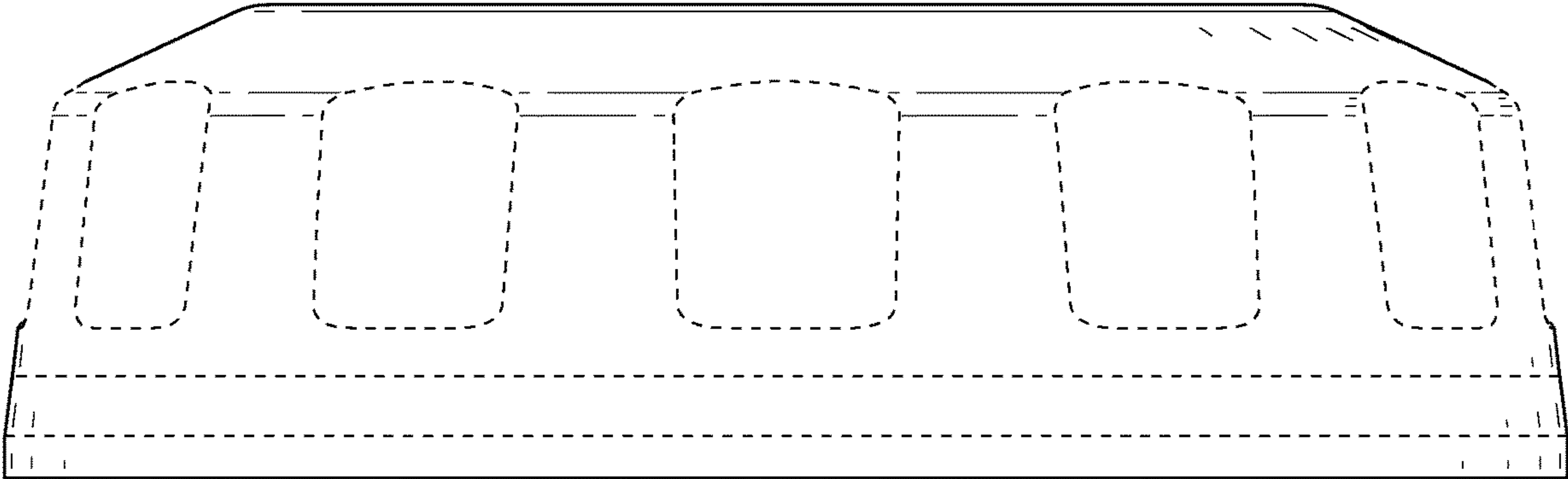


FIG. 2

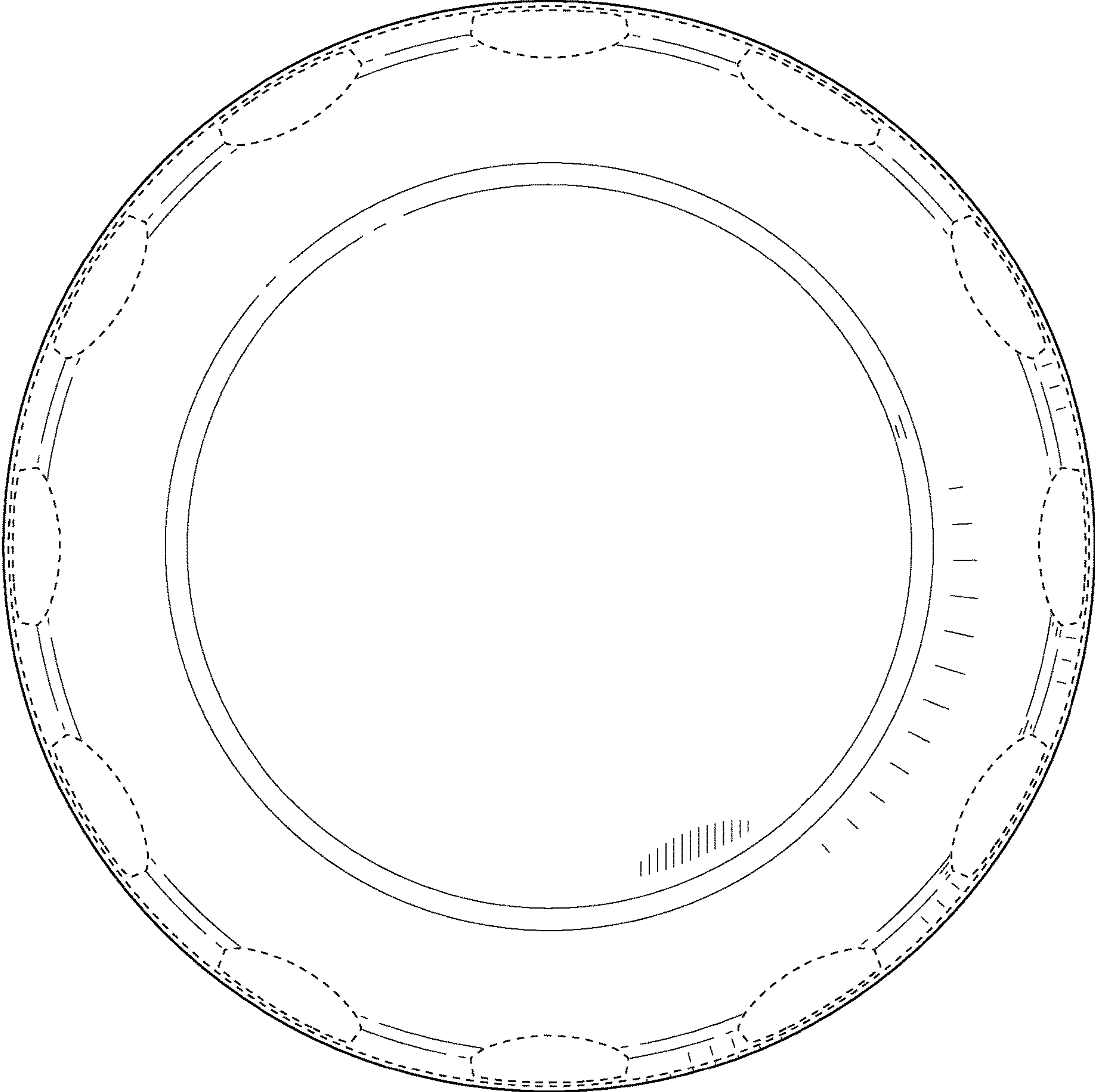


FIG. 3

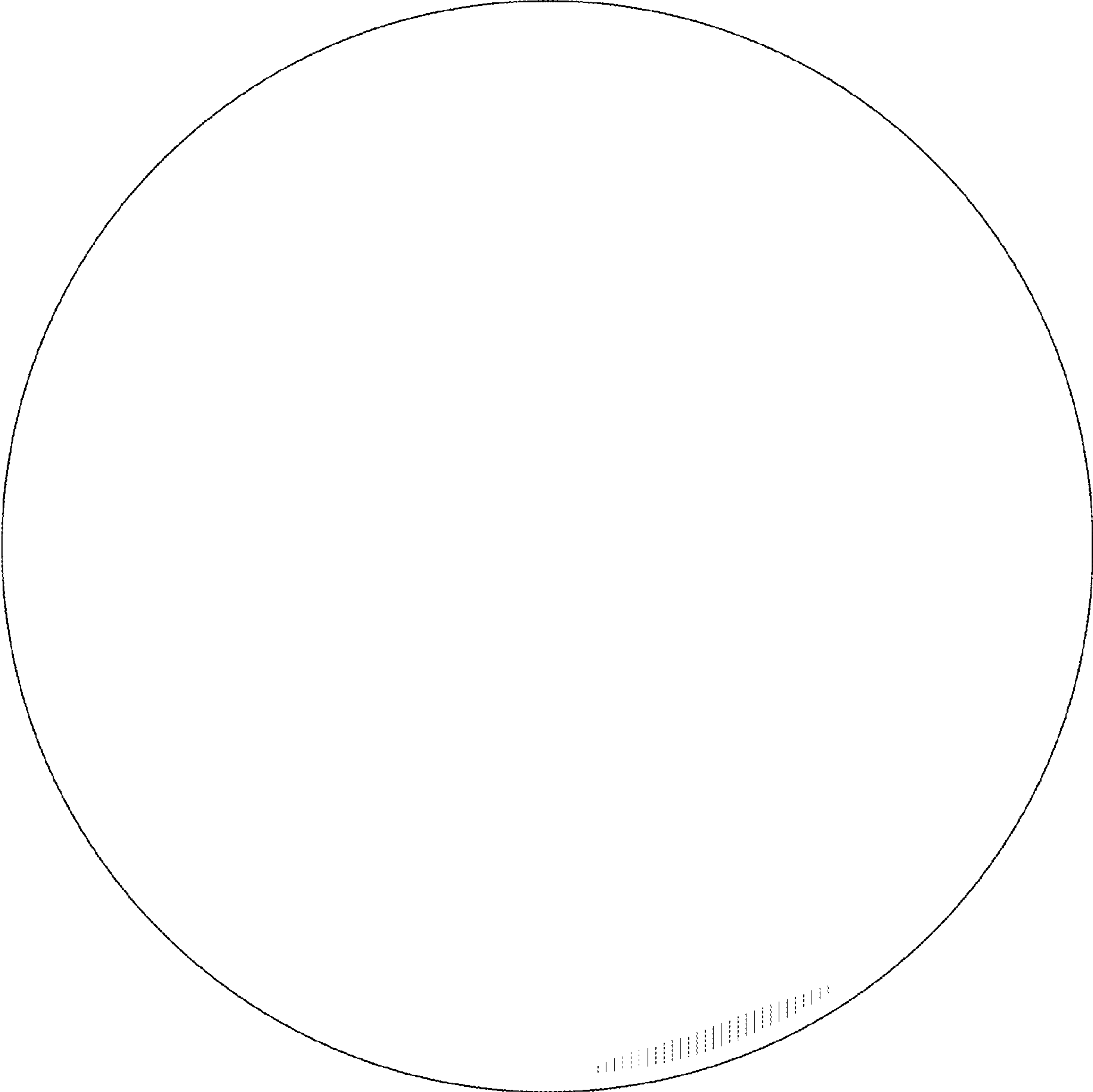


FIG. 4

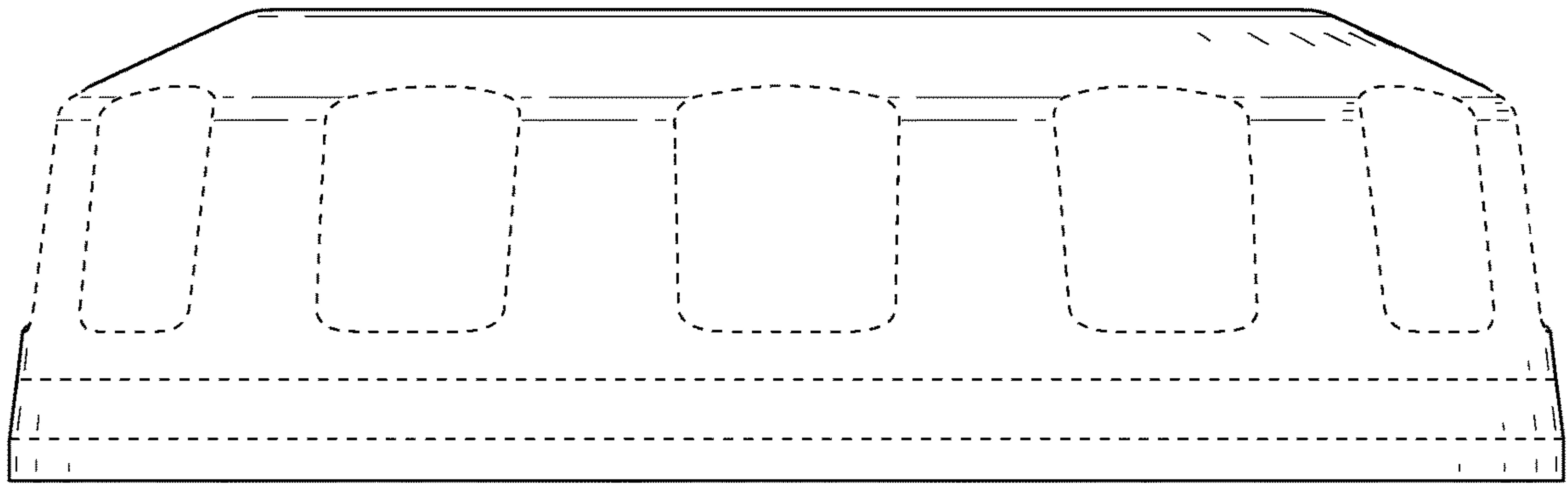


FIG. 5