



US0D1028734S

(12) **United States Design Patent**  
**Ishii et al.**

(10) **Patent No.:** **US D1,028,734 S**

(45) **Date of Patent:** **\*\* May 28, 2024**

(54) **PACKAGING CONTAINER**  
(71) Applicant: **KOSE CORPORATION**, Tokyo (JP)  
(72) Inventors: **Kampo Ishii**, Tokyo (JP); **Naoko Akai**, Tokyo (JP)

D638,710 S \* 5/2011 Yeung ..... D9/504  
D677,583 S \* 3/2013 In ..... D9/503  
D781,154 S \* 3/2017 McGregor ..... D9/529  
D805,904 S \* 12/2017 Kim ..... D9/503  
D817,174 S \* 5/2018 Weinrich ..... D9/503  
D884,282 S \* 5/2020 Jung ..... D9/503  
D904,902 S \* 12/2020 Yang ..... D9/503  
D928,618 S \* 8/2021 Lee ..... D9/503

(73) Assignee: **KOSE CORPORATION**, Tokyo (JP)

(\*\*) Term: **15 Years**

(21) Appl. No.: **29/842,073**

(22) Filed: **Jun. 10, 2022**

(30) **Foreign Application Priority Data**

Dec. 15, 2021 (JP) ..... 2021-027615

(51) **LOC (14) Cl.** ..... **09-01**

(52) **U.S. Cl.**  
USPC ..... **D9/503; D9/516**

(58) **Field of Classification Search**  
USPC ..... D9/414, 418, 428, 500-505, 516, 529,  
D9/530, 537-540, 544-546, 547,  
D9/549-552, 554, 556-558, 562, 563,  
D9/569, 575, 630, 651, 652, 661, 669,  
D9/692, 738, 739, 741, 744, 746, 772,  
D9/774, 780; D7/412, 417, 601, 602,  
D7/608, 612, 679; D99/5; D26/9, 22;  
D3/200; D28/88  
CPC ..... B65D 50/041; B65D 1/165; B65D  
2543/00092; B65D 1/0276; B65D 51/20;  
B65D 11/16; B65D 2251/0015; A45D  
40/0068  
See application file for complete search history.

(56) **References Cited**

**U.S. PATENT DOCUMENTS**

1,573,648 A \* 2/1926 Sheely ..... B65D 47/42  
D237,685 S \* 11/1975 Picker ..... D28/88  
D237,854 S \* 12/1975 Achenbach ..... D9/503  
D9/505

**FOREIGN PATENT DOCUMENTS**

CN 306601975 \* 6/2021

\* cited by examiner

*Primary Examiner* — Brett Miller  
*Assistant Examiner* — Rani J Abdallah  
(74) *Attorney, Agent, or Firm* —  
BACON&THOMAS, PLLC

(57) **CLAIM**

The ornamental design for a packaging container, as shown and described.

**DESCRIPTION**

FIG. 1 is a perspective view of a packaging container, showing our new design.  
FIG. 2 is a perspective view thereof, shown with the cap separated.  
FIG. 3 is a front view thereof.  
FIG. 4 is a top plan view thereof.  
FIG. 5 is a bottom plan view thereof.  
FIG. 6 is a right side view thereof; and,  
FIG. 7 is a sectional view taken along line 7-7 of FIG. 3.  
The broken lines in the figures illustrate the portions of the packaging container that form no part of the claimed design. The thin line of the Perspective view, and the Perspective view with the cap separated, indicate the three-dimensional surface of the product. A rear view is omitted because it appears same with the front view. A left side view is omitted because it appears same with the right side view.

**1 Claim, 7 Drawing Sheets**

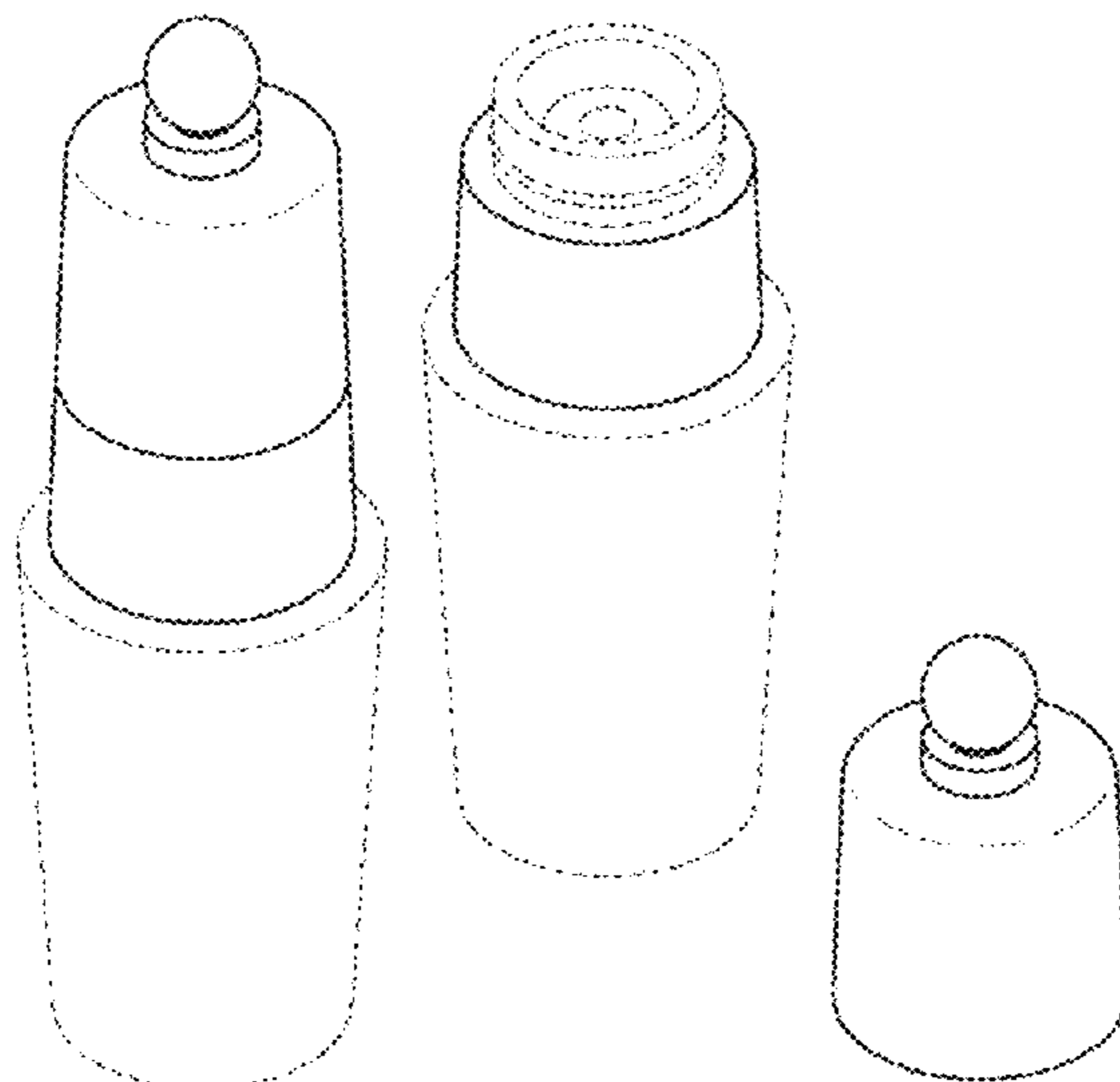


FIG. 1

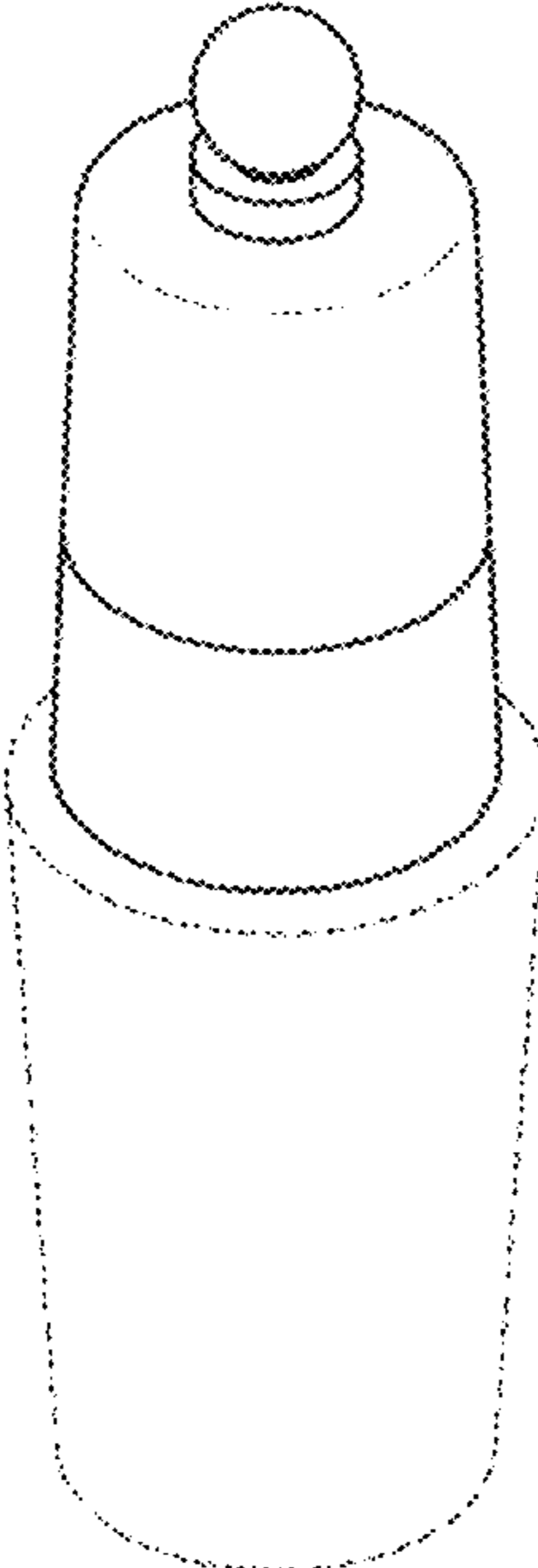


FIG. 2

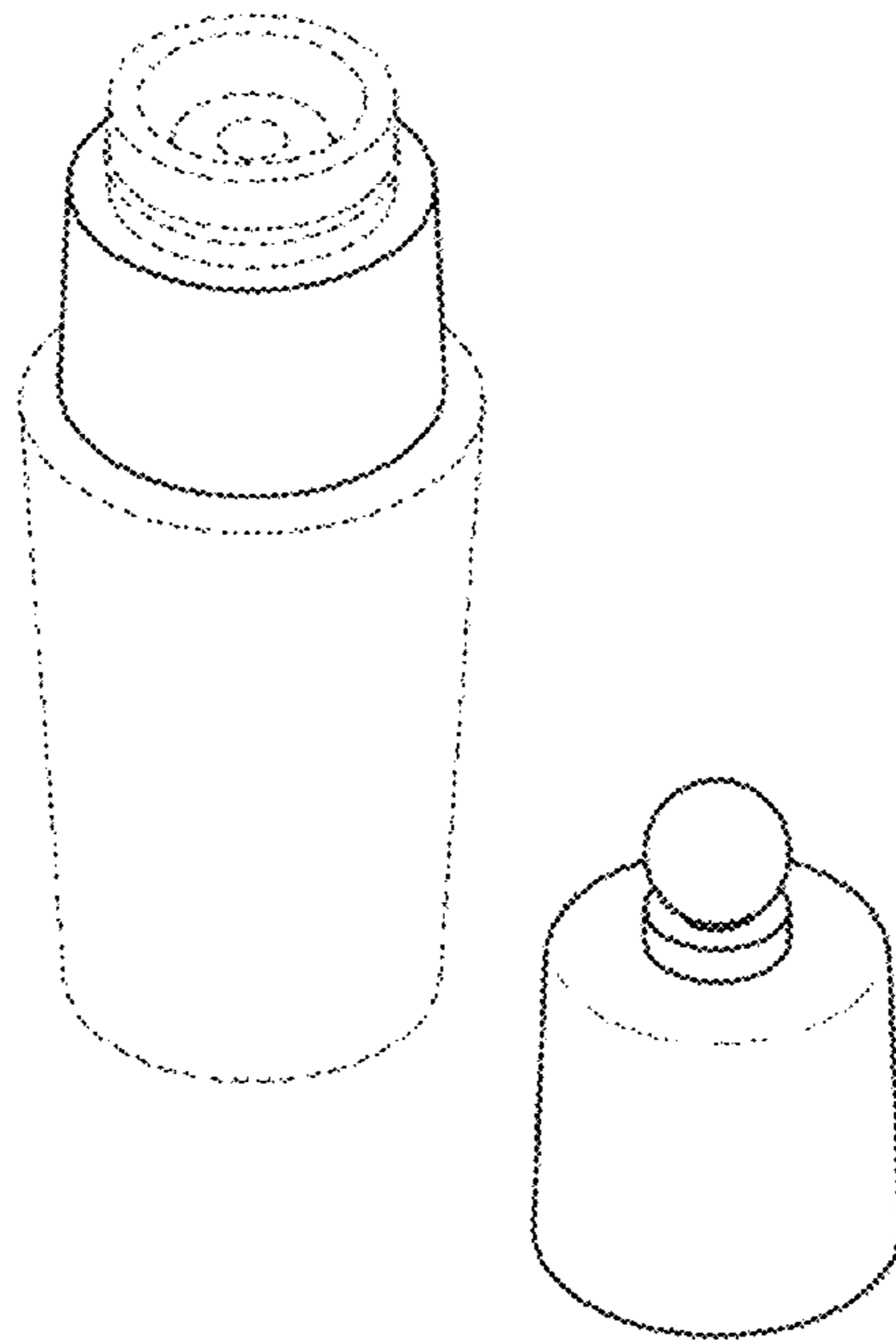


FIG. 3

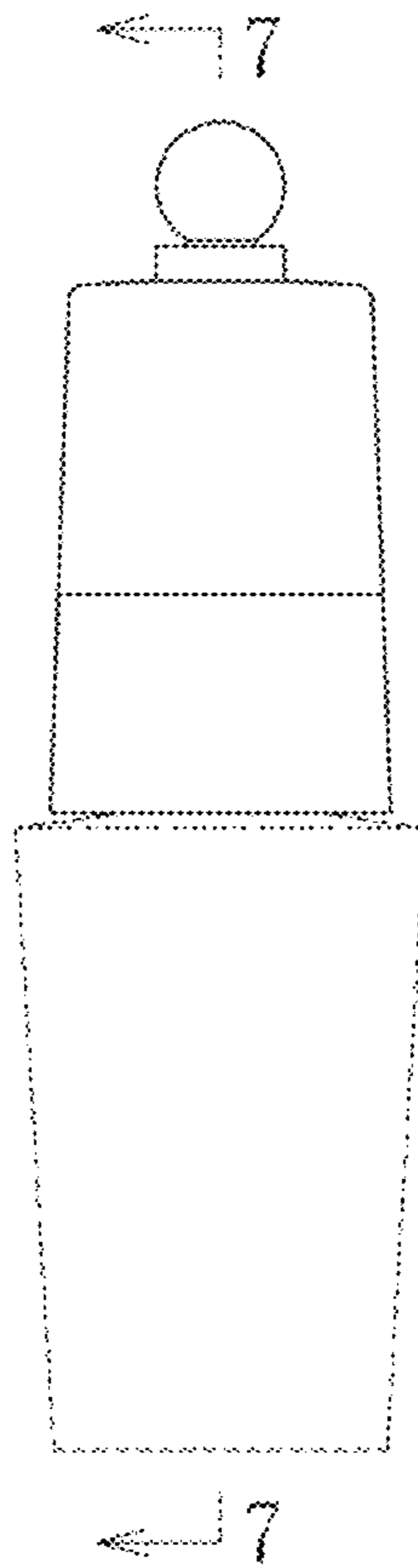


FIG. 4

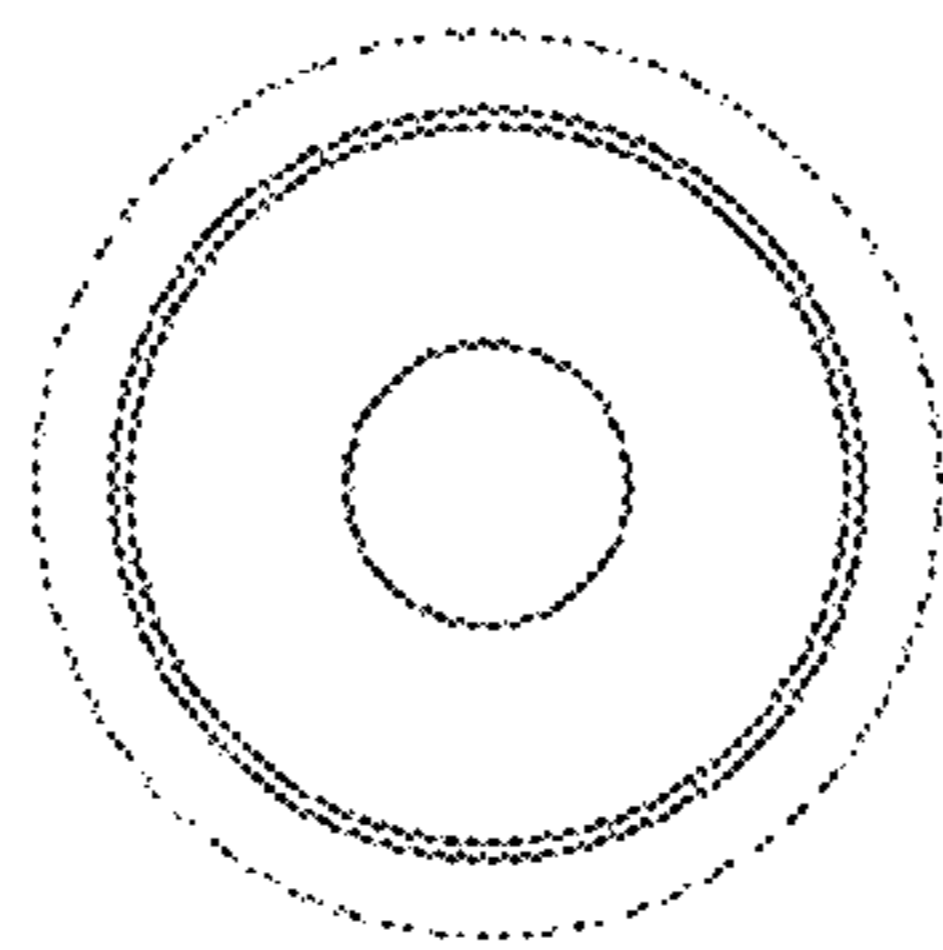


FIG. 5

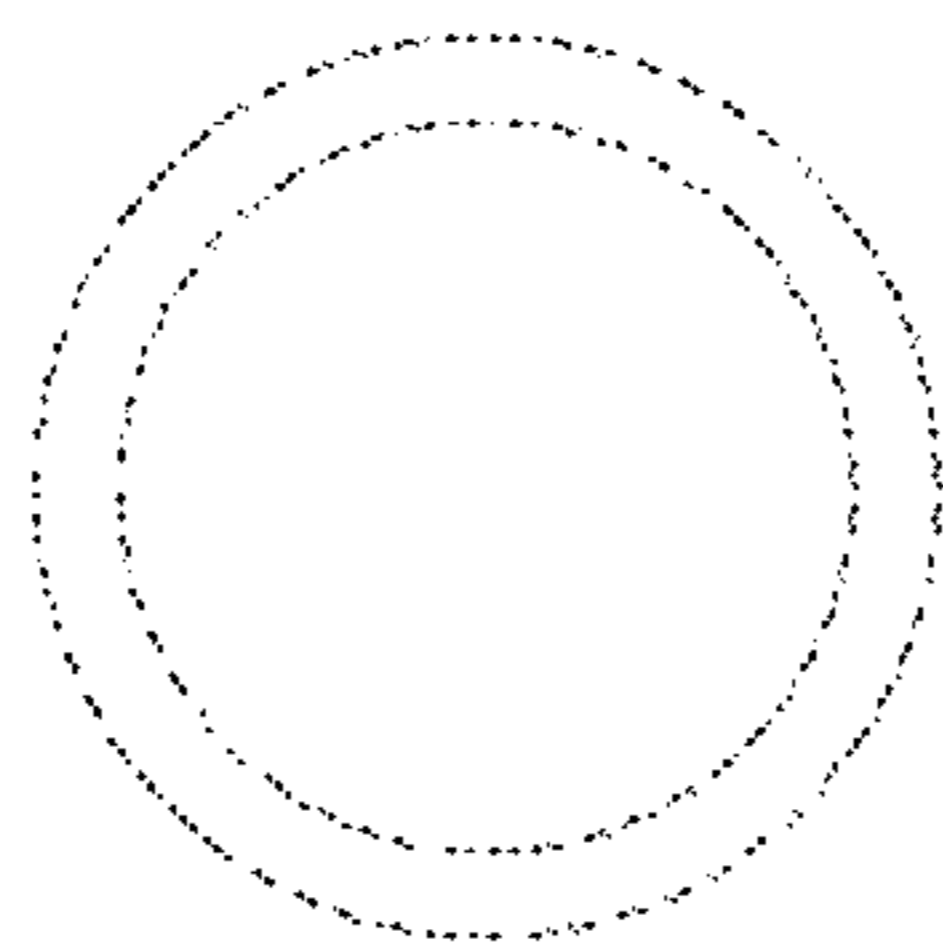


FIG. 6

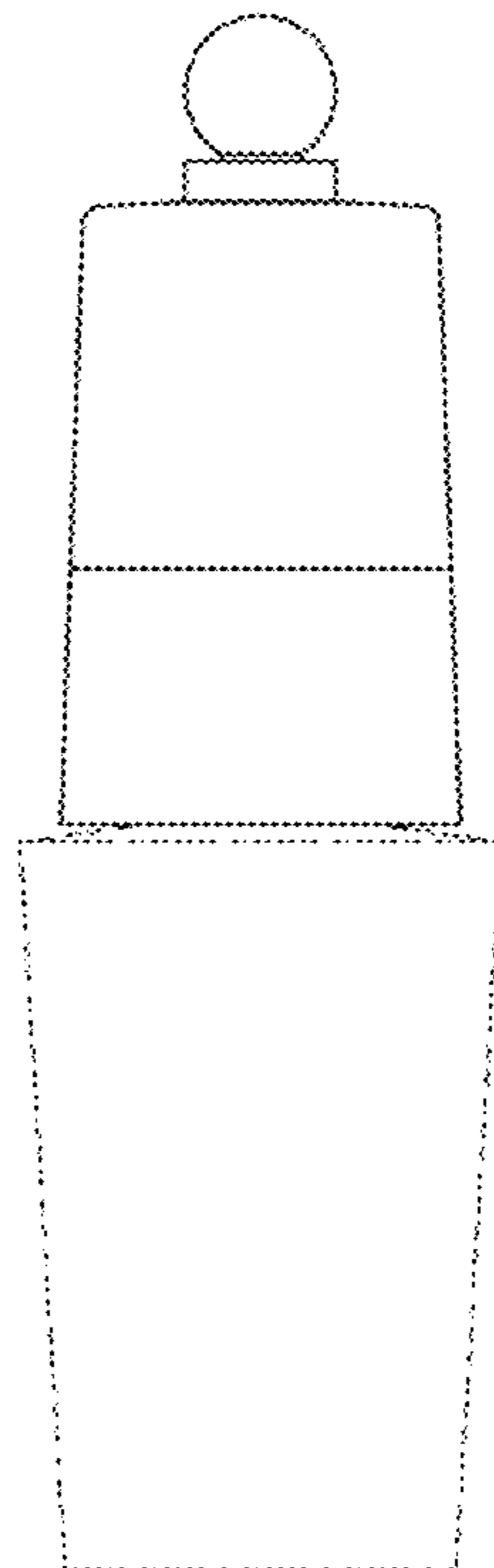


FIG. 7

