



US0D1028712S

(12) **United States Design Patent** (10) **Patent No.:** **US D1,028,712 S**
Bobb (45) **Date of Patent:** **** May 28, 2024**

(54) **NECK FINISH OF A BOTTLE**
(71) Applicant: **Abdou Bobb**, Baranowo (PL)
(72) Inventor: **Abdou Bobb**, Baranowo (PL)
(**) Term: **15 Years**
(21) Appl. No.: **29/821,720**
(22) Filed: **Jan. 1, 2022**
(51) **LOC (14) Cl.** **09-07**
(52) **U.S. Cl.**
USPC **D9/434**; D9/549
(58) **Field of Classification Search**
USPC D7/509, 510, 511, 523, 300, 619.1,
D7/396.2, 392.1; D9/500, 503, 504, 505,
D9/545, 544, 549, 550, 434, 499, 435,
D9/529, 558, 563, 574, 502, 570, 440,
D9/447, 454
CPC B65D 1/00; B65D 1/02; B65D 1/0276;
B65D 53/02
See application file for complete search history.

- (56) **References Cited**
U.S. PATENT DOCUMENTS
- | | | | | |
|--------------|---------|------------|-------|------------------------|
| D287,265 S * | 12/1986 | Edwards | | D23/206 |
| D332,891 S * | 2/1993 | Cumberland | | D7/619.1 |
| D401,149 S * | 11/1998 | Goserud | | D9/439 |
| D447,410 S * | 9/2001 | Malmberg | | D9/434 |
| D458,001 S * | 5/2002 | Shah | | D34/39 |
| D460,598 S * | 7/2002 | Shah | | D34/39 |
| D616,966 S * | 6/2010 | Angell | | D23/262 |
| D658,693 S * | 5/2012 | Suzuki | | D15/138 |
| D681,176 S * | 4/2013 | Chacko | | D23/269 |
| D710,485 S * | 8/2014 | Nudo | | D9/437 |
| D834,883 S * | 12/2018 | Lane | | D7/396.2 |
| D856,136 S * | 8/2019 | Marshall | | D9/434 |
| D857,198 S * | 8/2019 | Jamison | | D24/140 |
| D875,478 S * | 2/2020 | Bingham | | A47G 23/0216
D9/444 |

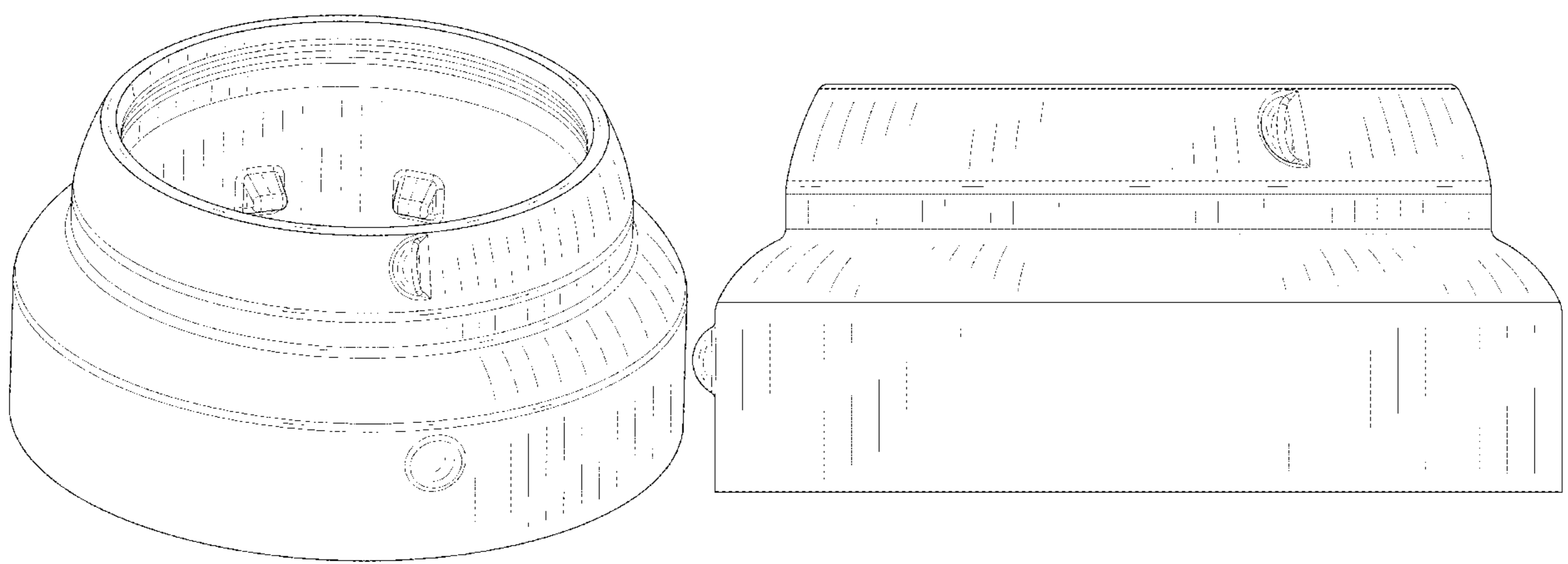
- 2009/0134115 A1* 5/2009 Bosken, Jr. B22F 7/08
215/382
2009/0249835 A1* 10/2009 Flynn C03B 9/48
164/45
2010/0038337 A1* 2/2010 Garboni B65D 47/043
215/253
2014/0367354 A1* 12/2014 Ding B65D 45/32
215/276
2015/0360279 A1* 12/2015 Jentzsch B21D 51/2638
72/476
2023/0249875 A1* 8/2023 Baudtler B65D 23/001
215/372

* cited by examiner
Primary Examiner — W. A. Teddy Falloway
Assistant Examiner — Amanda Kay Birdwell

(57) **CLAIM**
The ornamental design for the neck finish of a bottle, substantially as shown and described.

DESCRIPTION
FIG. 1 is a front perspective view showing the neck finish of a bottle in accordance with the present invention;
FIG. 2 is a front view thereof;
FIG. 3 is a rear view thereof;
FIG. 4 is a right side view thereof;
FIG. 5 is a right side cutaway view thereof;
FIG. 6 is a left side view thereof;
FIG. 7 is a left side cutaway view thereof;
FIG. 8 is a top view thereof;
FIG. 9 is a bottom view thereof; and,
FIG. 10 is a perspective view thereof with the rest of a bottle and capped.
The broken lines showing a bottle and cap in FIG. 10 are for the purpose of illustrating environmental structure and form no part of the claim.

1 Claim, 10 Drawing Sheets



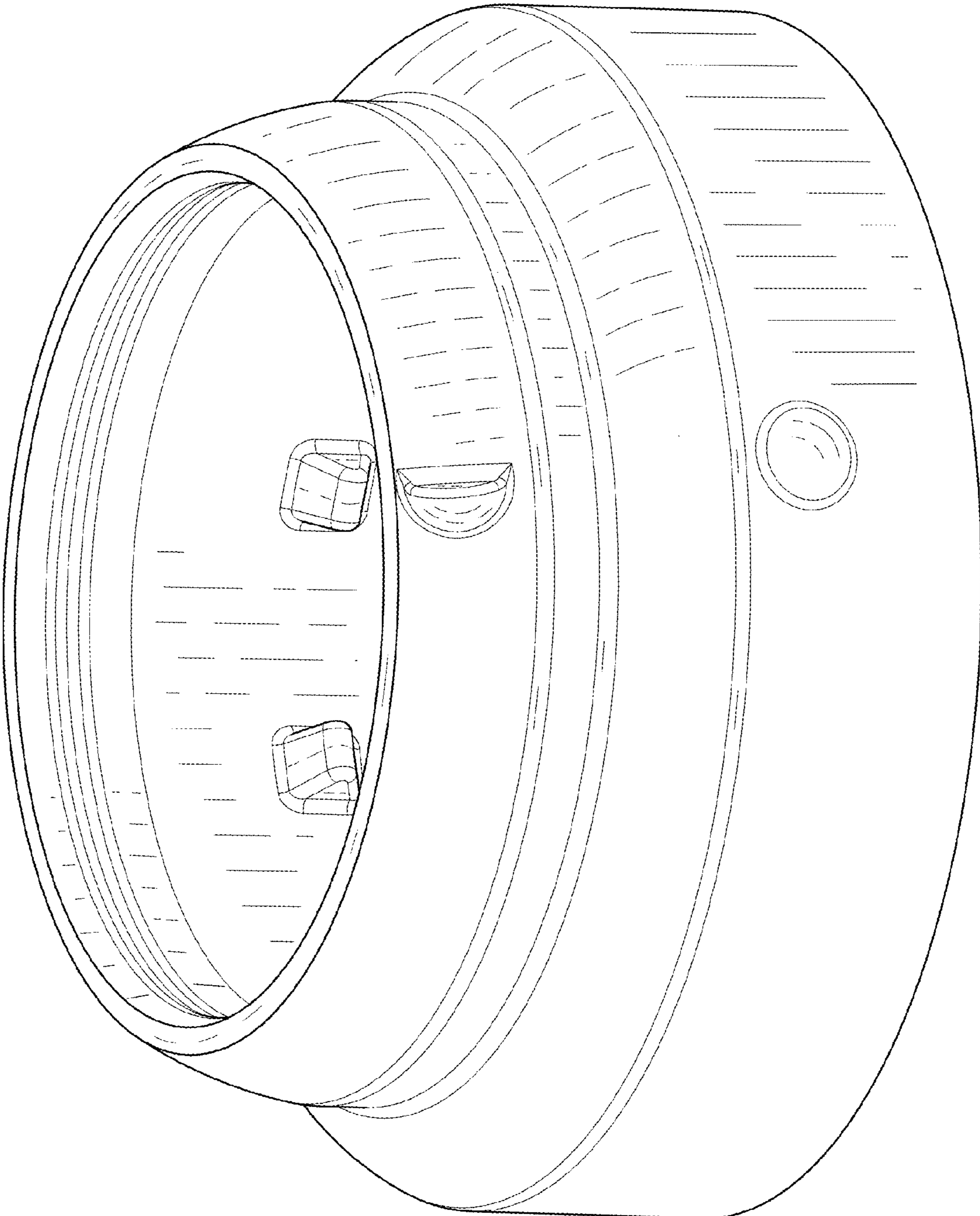


FIG. 1

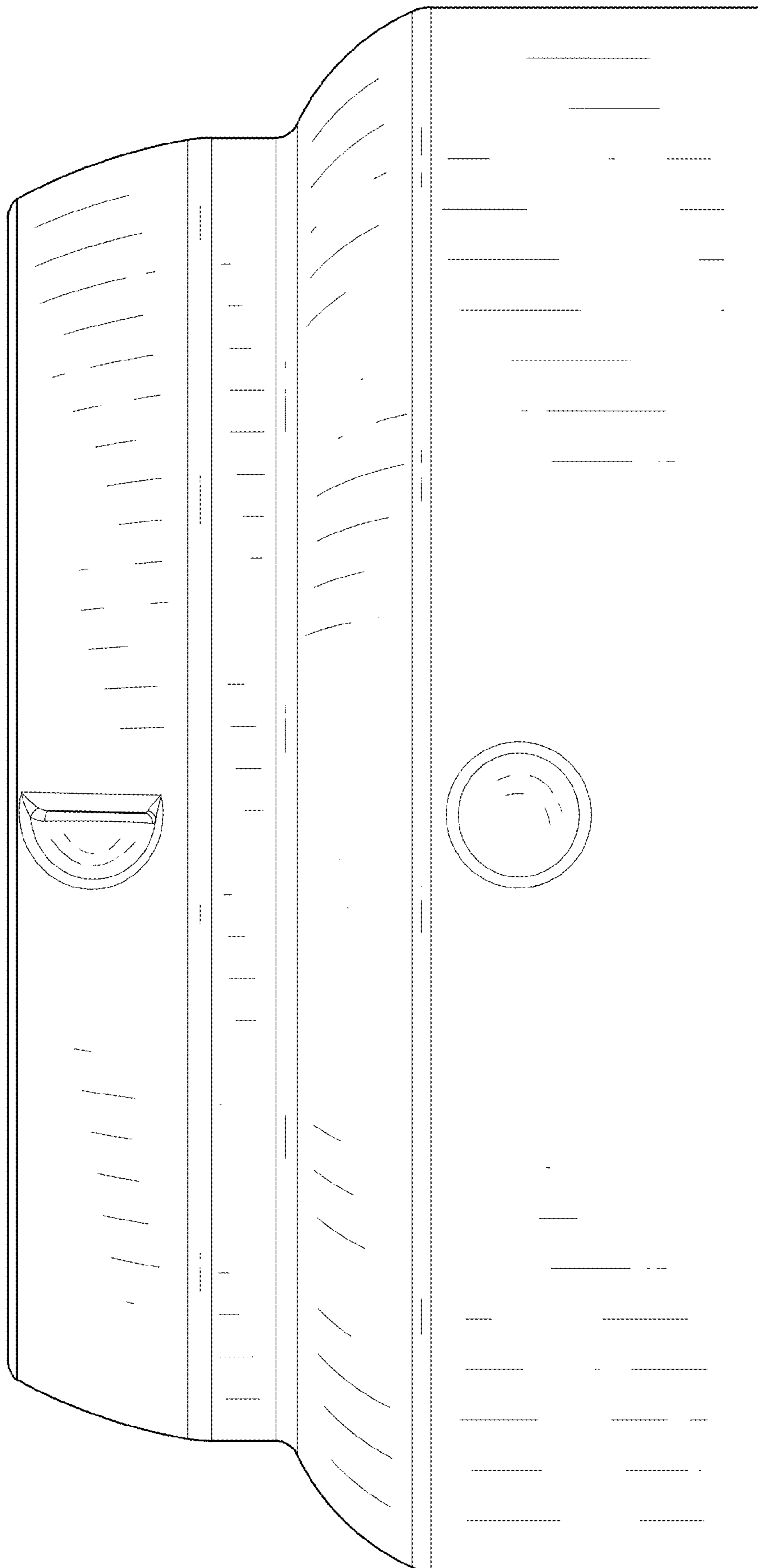


FIG. 2

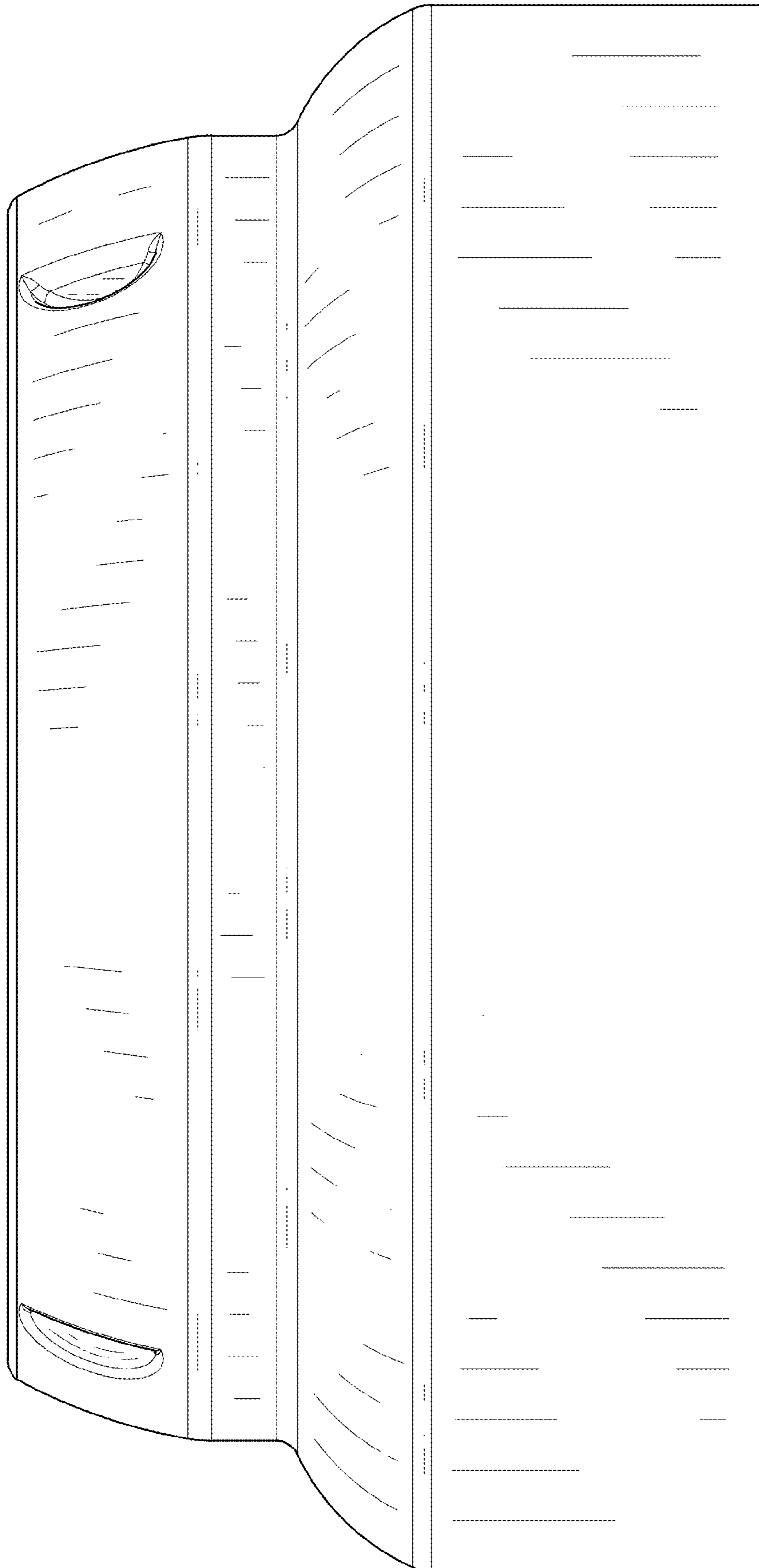


FIG. 3

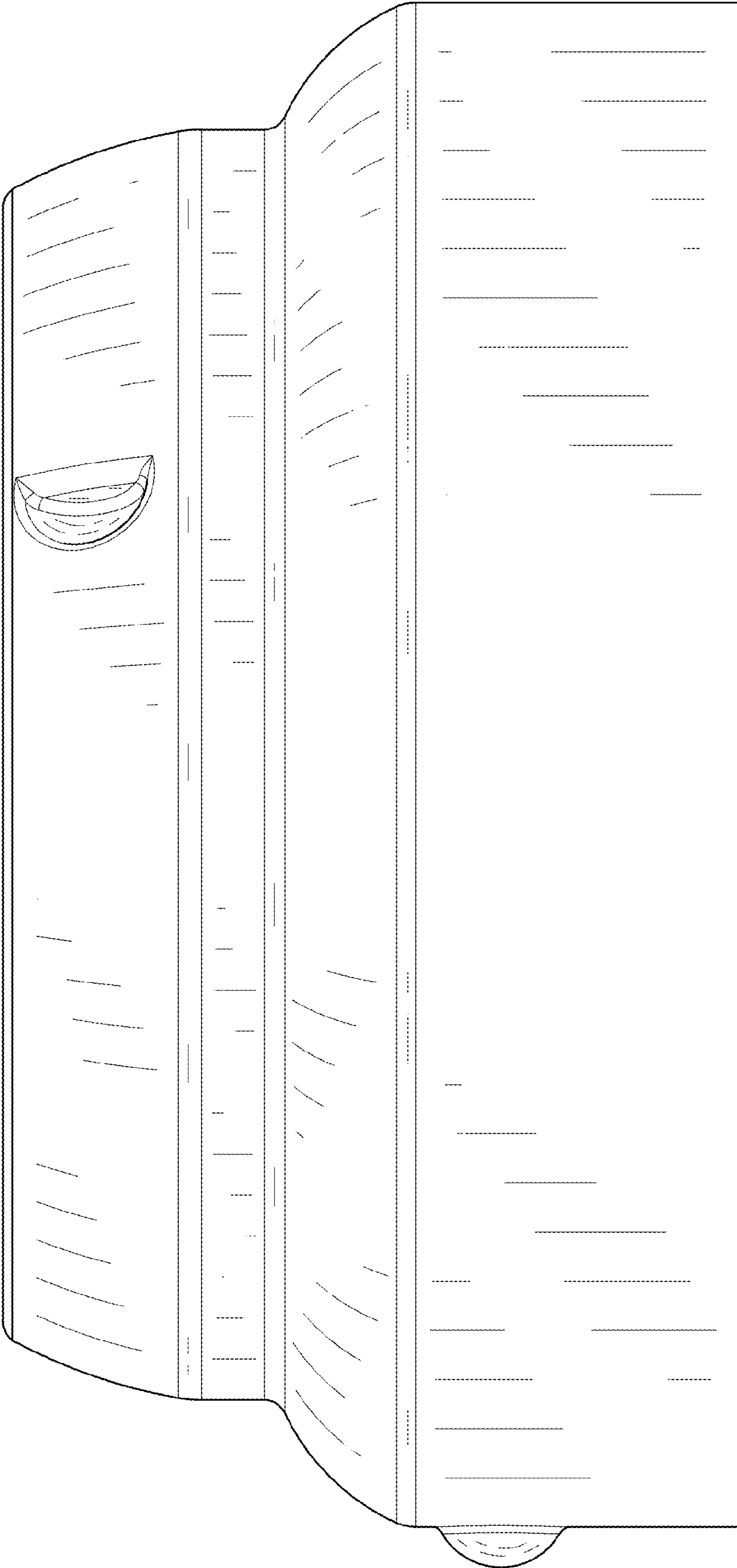


FIG. 4

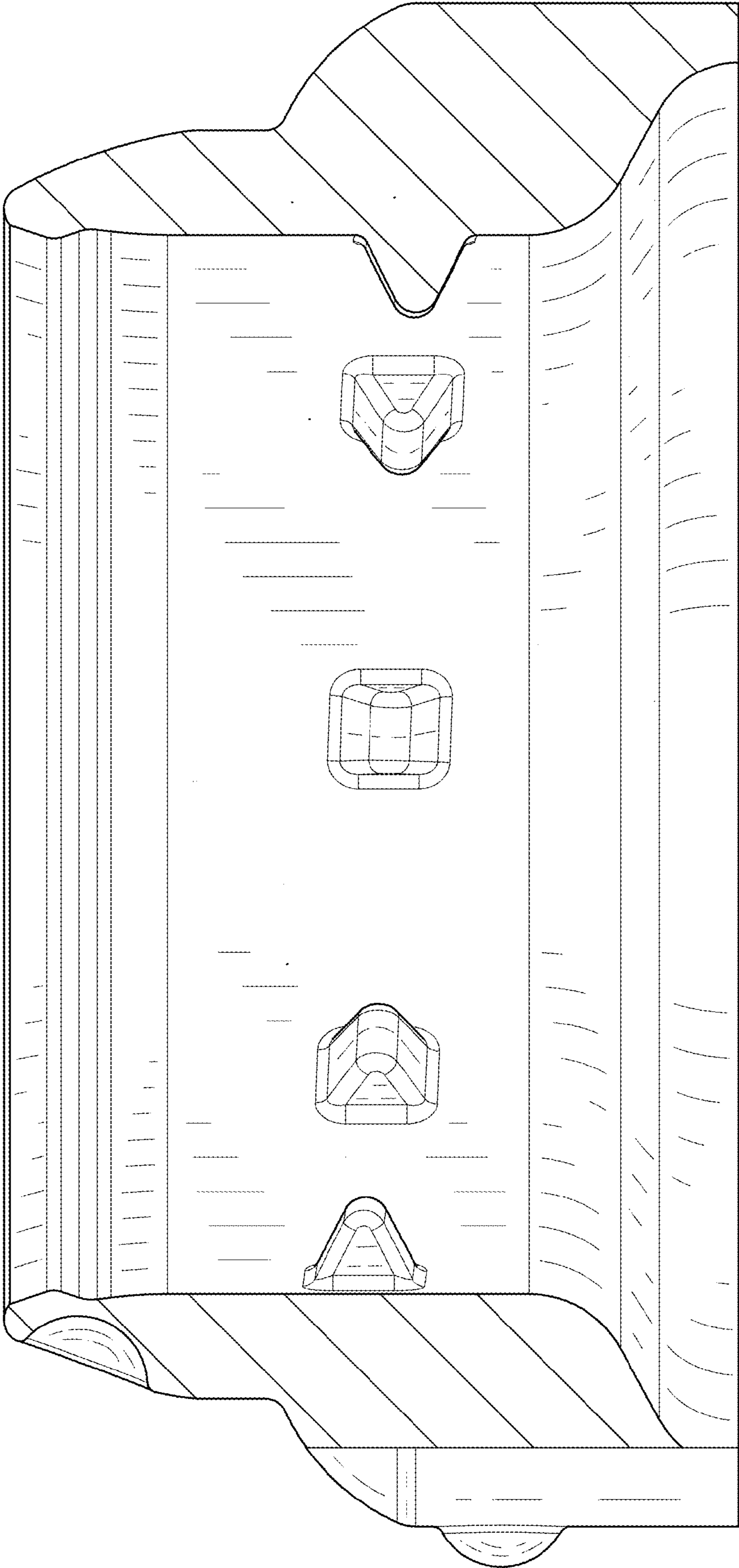


FIG. 5



FIG. 6

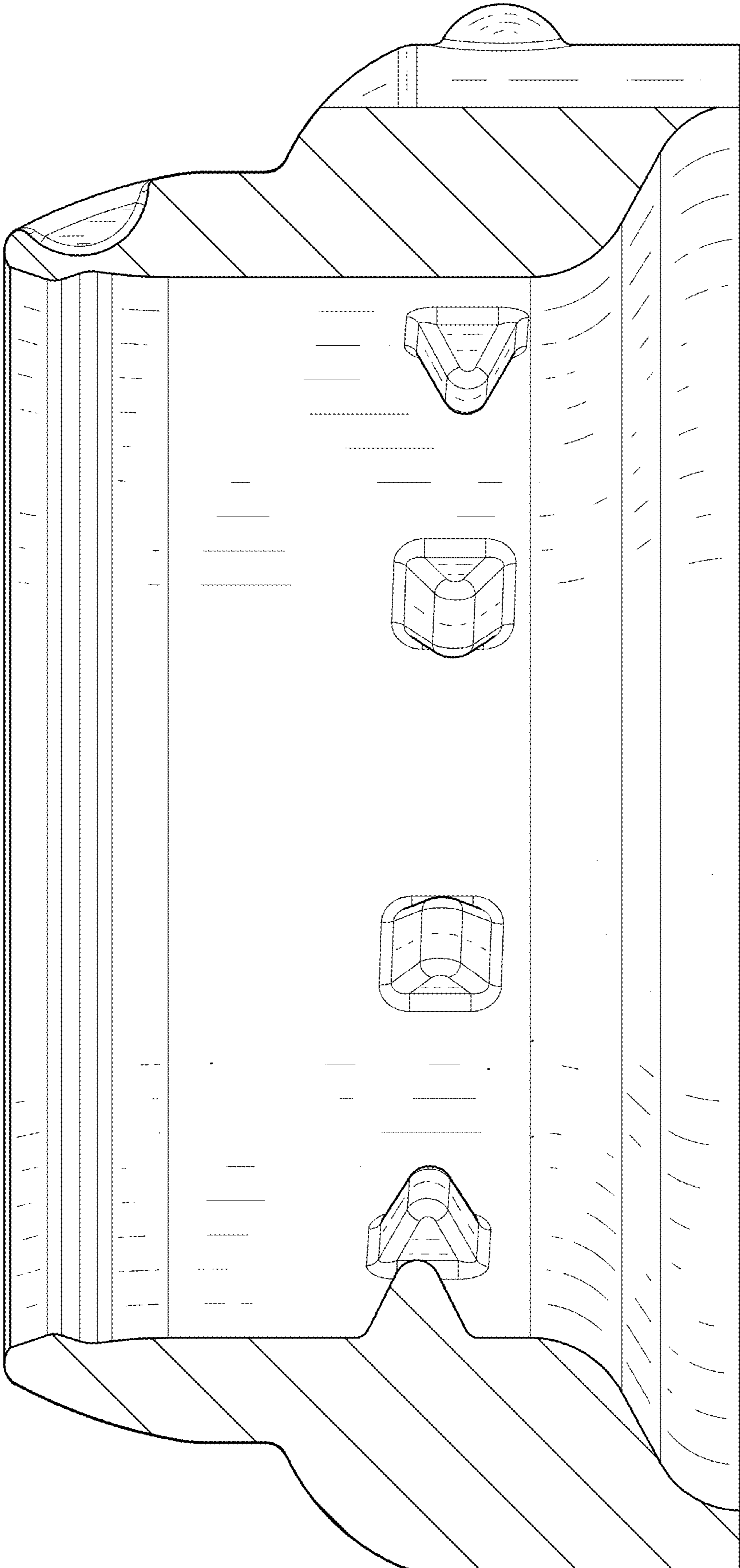


FIG. 7

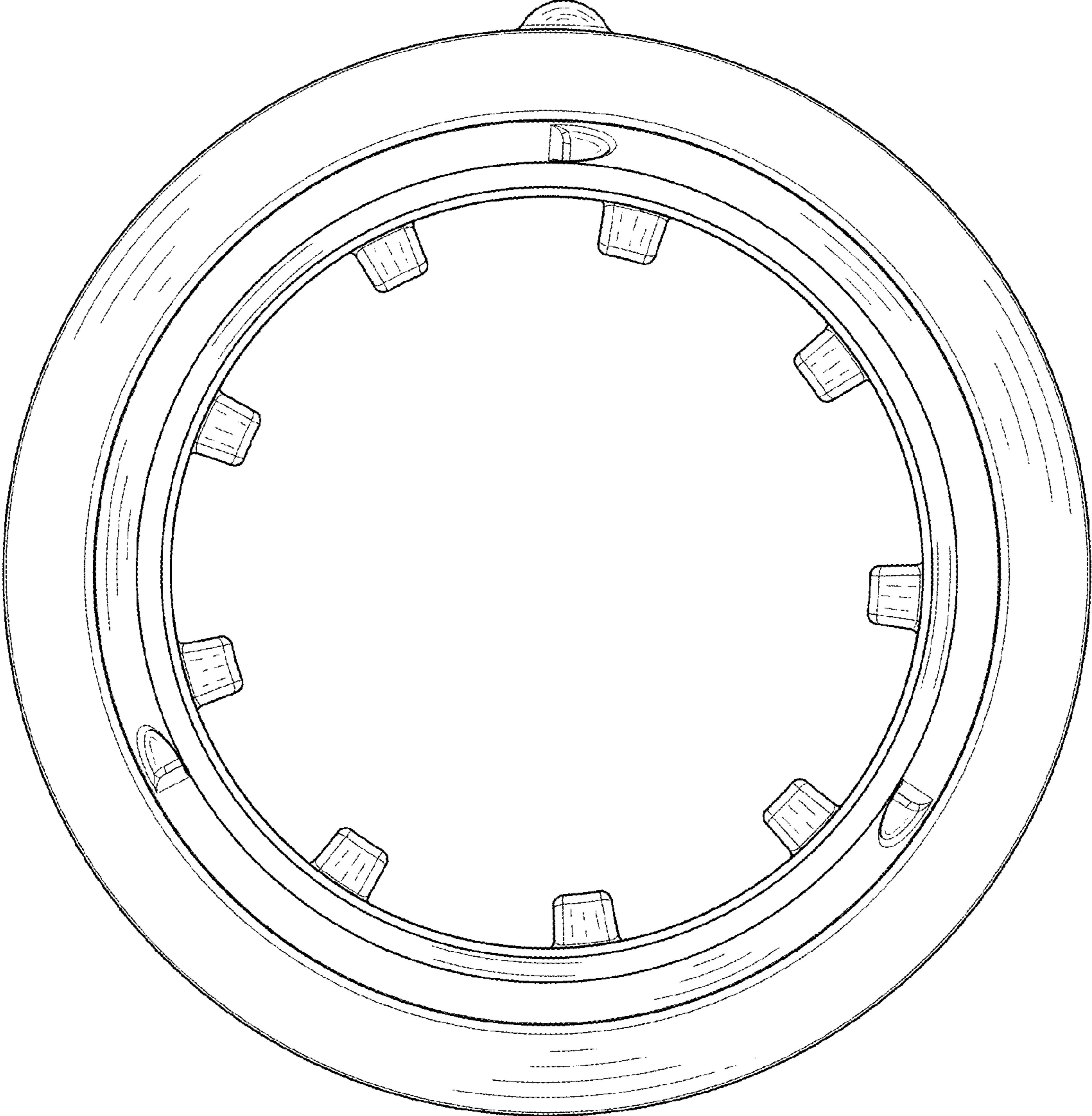


FIG. 8

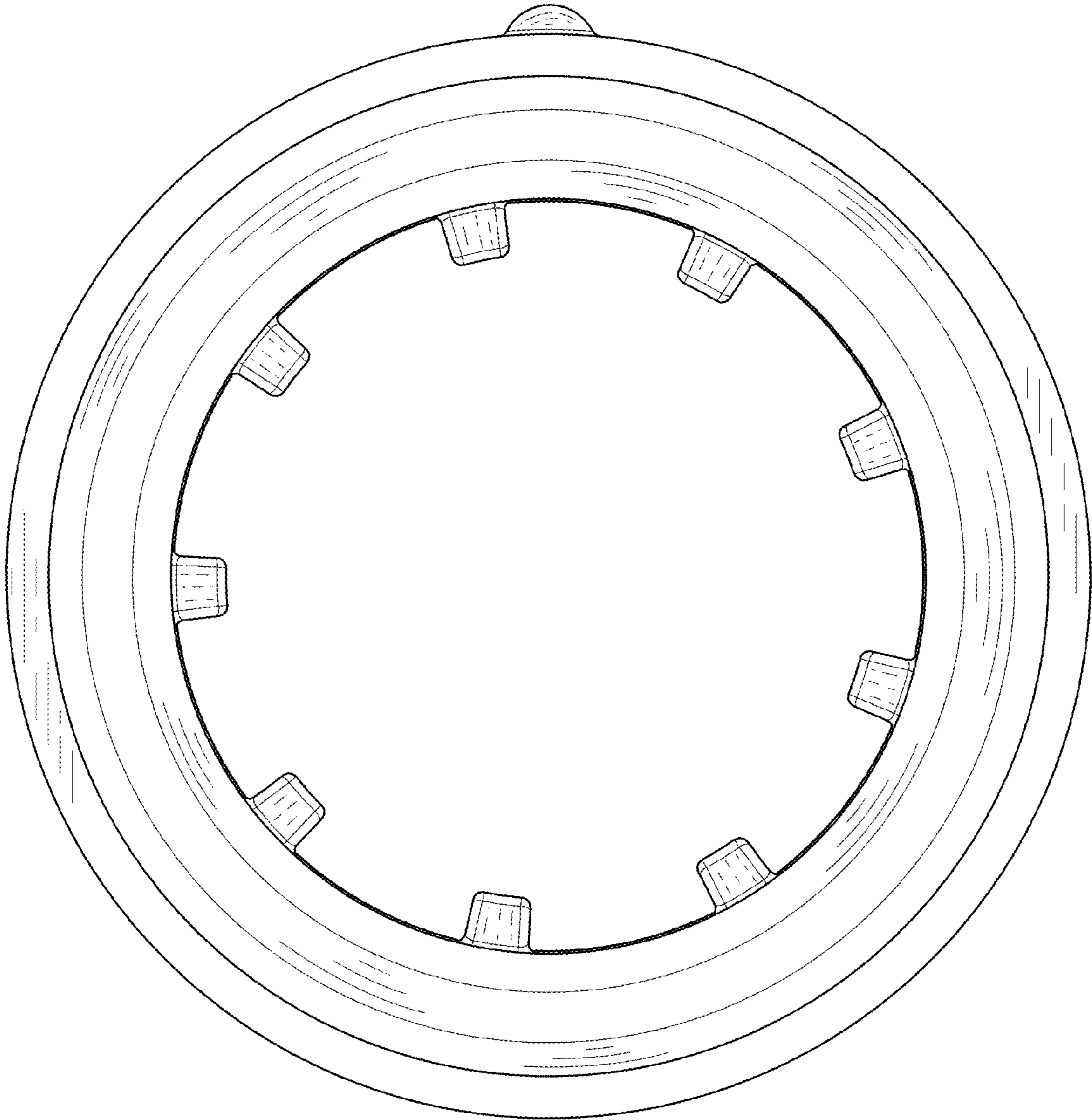


FIG. 9

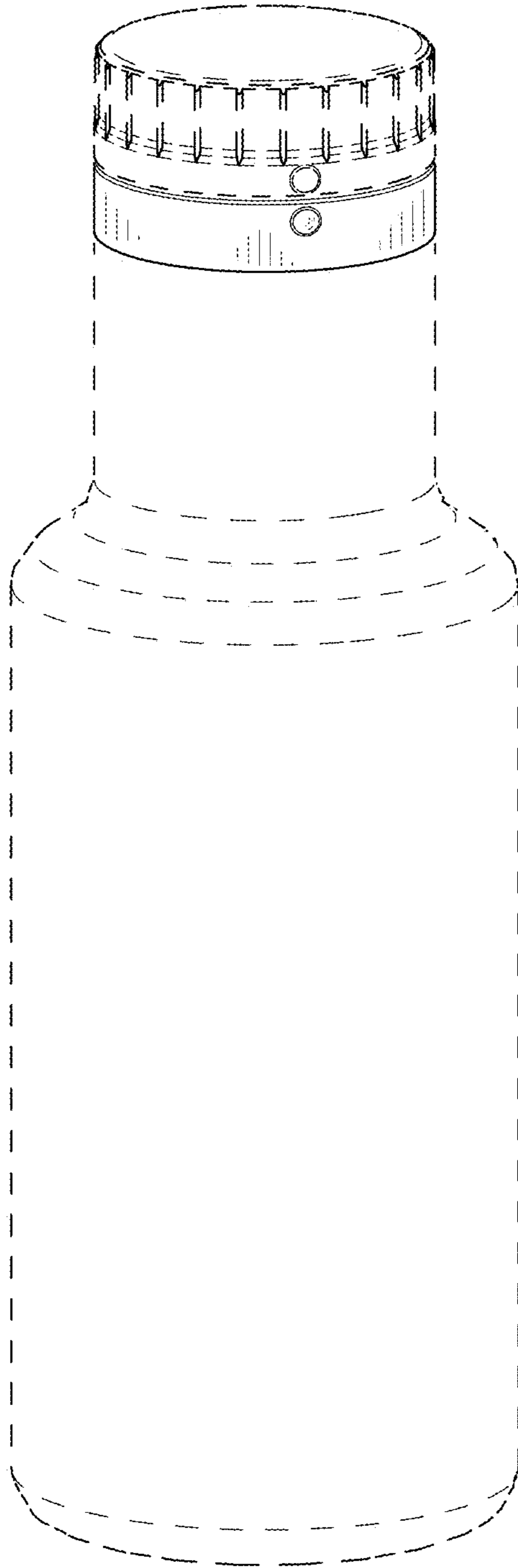


FIG. 10