



US0D1028685S

(12) **United States Design Patent** (10) **Patent No.:** **US D1,028,685 S**
Grindley (45) **Date of Patent:** **** May 28, 2024**

(54) **HANGER**
(71) Applicants: **Brendalyn James**, Brandywine, MD
(US); **Bethune Alafia Grindley**, Burke,
VA (US)
(72) Inventor: **Bethune Alafia Grindley**, Burke, VA
(US)
(73) Assignees: **Brendalyn James**, Brandywine, MD
(US); **Bethune Grindley**, Burke, VA
(US)

D483,249 S * 12/2003 Klein D8/373
D494,050 S * 8/2004 Klein D6/513
D494,454 S * 8/2004 Klein D8/373
D494,844 S * 8/2004 Klein D8/372
D567,557 S * 4/2008 Snell D6/523
7,887,017 B2 * 2/2011 Moran B44C 5/00
248/339
D883,707 S * 5/2020 Klowan D6/523
10,758,098 B2 * 9/2020 Gharibian A47K 17/003
D947,657 S * 4/2022 Grindley D8/367
(Continued)

(**) Term: **15 Years**

(21) Appl. No.: **29/801,594**

(22) Filed: **Jul. 29, 2021**

(51) **LOC (14) Cl.** **08-11**

(52) **U.S. Cl.**
USPC **D8/367; D6/523**

(58) **Field of Classification Search**
USPC D6/518, 520, 521, 523; D8/367, 371,
D8/372, 373, 381
CPC A47G 25/0614; A47K 10/22; A47K
10/3836; A47K 10/3687; A47K 10/405;
A47K 2010/324; A47K 10/10

See application file for complete search history.

(56) **References Cited**

U.S. PATENT DOCUMENTS

3,227,386 A * 1/1966 Pitcher A47K 10/3836
248/302
D238,461 S * 1/1976 Bauman D6/521
D277,622 S * 2/1985 Servadio D6/521
D296,058 S * 6/1988 Pirrone D6/521
D305,299 S * 1/1990 Freeman D8/371
D386,339 S * 11/1997 Schneider D6/520
D386,340 S * 11/1997 Schneider D6/520
D393,389 S * 4/1998 Thurston-Chartraw D6/520
D469,341 S * 1/2003 Knapp D8/367

OTHER PUBLICATIONS

“MDesign Metal Wire Over The Tank Toilet Tissue Paper Roll Holder”, Jun. 29, 2017, Amazon.com, site visited Mar. 1, 2024: <https://www.amazon.com/dp/B073HBG773> (Year: 2017).*

(Continued)

Primary Examiner — Jack Reickel
Assistant Examiner — Michael A Kervin

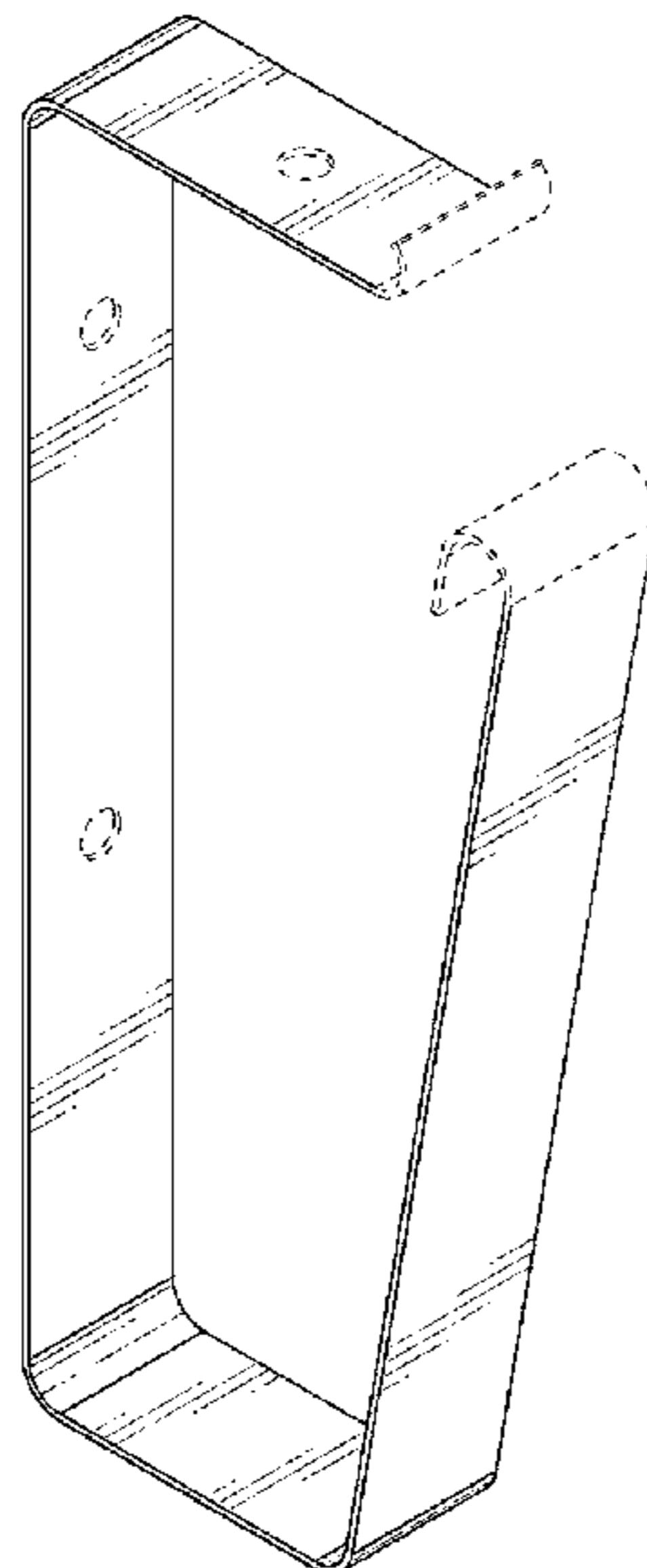
(57) **CLAIM**

The ornamental design for a hanger, as shown and described.

DESCRIPTION

FIG. 1 is a front-top perspective view of a hanger showing my new design;
FIG. 2 is a front-bottom perspective view thereof;
FIG. 3 is a rear-top perspective view thereof;
FIG. 4 is a rear-bottom perspective view thereof;
FIG. 5 is a front elevational view thereof;
FIG. 6 is a rear elevational view thereof;
FIG. 7 is a left elevational view thereof where the right elevational view is mirrored thereto;
FIG. 8 is a top plan view thereof; and,
FIG. 9 is a bottom plan view thereof.
The broken line showing of a hanger is for the purpose of illustrating portions of the article and forms no part of the claimed design.

1 Claim, 9 Drawing Sheets



(56)

References Cited

U.S. PATENT DOCUMENTS

D982,419 S * 4/2023 Chun D8/367
11,666,186 B2 * 6/2023 Grindley A47K 10/405
242/560
D998,369 S * 9/2023 Shi D6/523
D1,015,128 S * 2/2024 Grindley D8/367
2006/0231438 A1 * 10/2006 Anderson A47K 10/22
206/394
2014/0332619 A1 * 11/2014 Yang A47G 25/0614
248/301
2021/0100409 A1 * 4/2021 Grindley A47K 10/405

OTHER PUBLICATIONS

“Grohe 41067000 Selection Spare Toilet Paper Holder”, Jan. 18, 2020, Amazon.com, site visited Mar. 1, 2024: <https://www.amazon.com/dp/B082W93HF4> (Year: 2020).*

“Plan and do not run out”, Oct. 6, 2022, YouTube.com, site visited Mar. 1, 2024: <https://www.youtube.com/watch?v=nCdfzlm-hz0&t=70s> (Year: 2022).*

“On-Any-Wall Dispensers—Happy Ingenuity Solutions”, Date Unknown, Amazon.com, site visited Mar. 1, 2024: <https://happyingenuity.com/on-any-wall-dispensers/> (Year: 2024).*

* cited by examiner

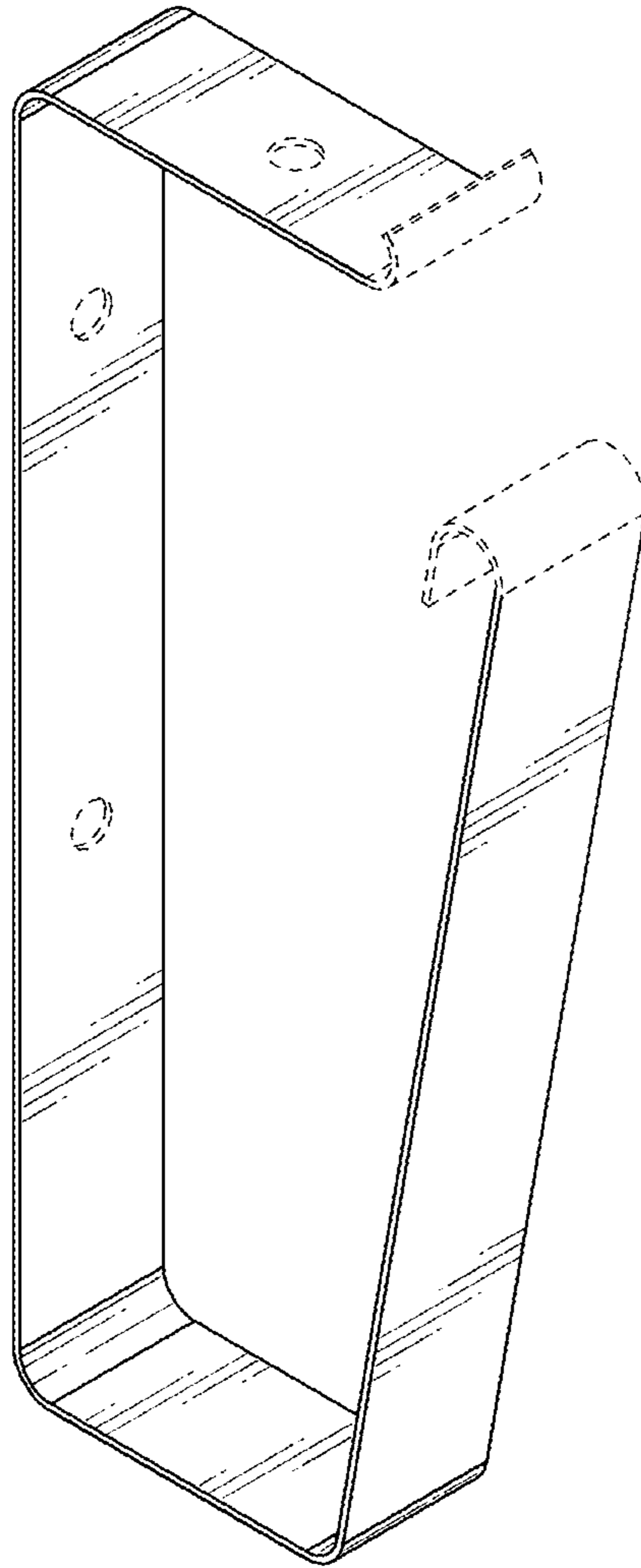


FIG. 1

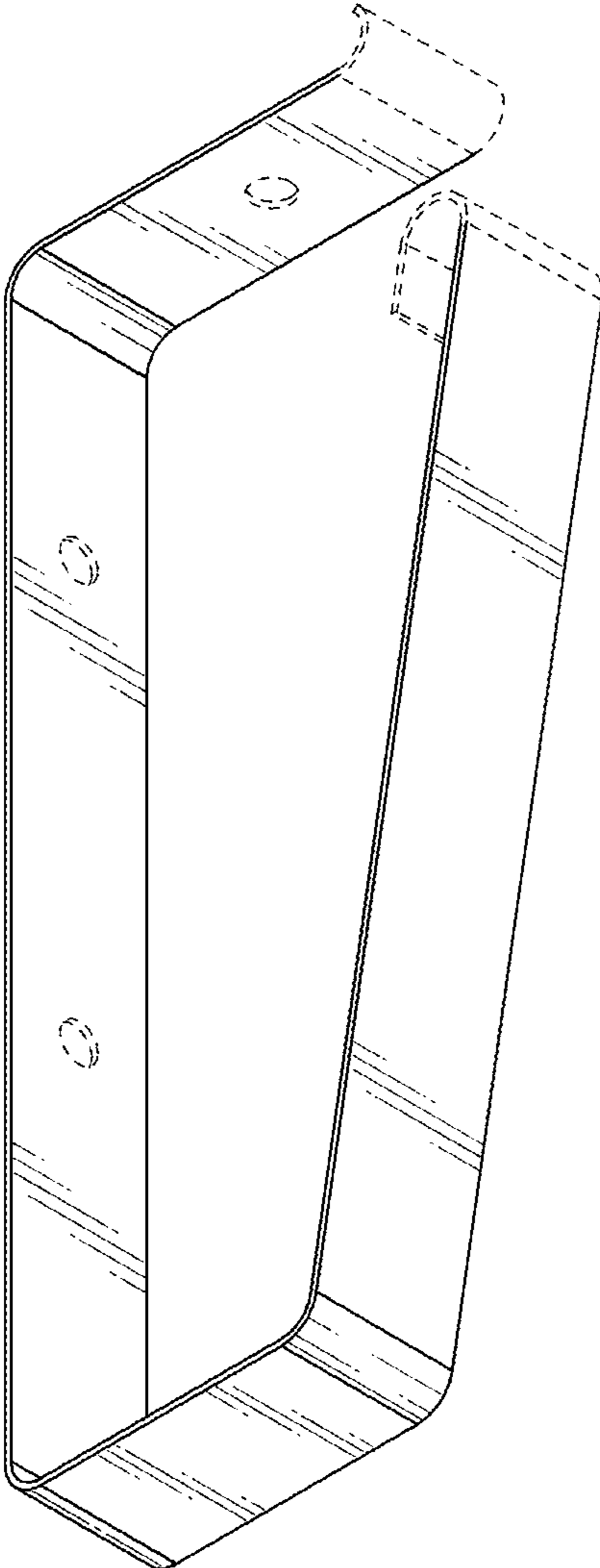


FIG. 2

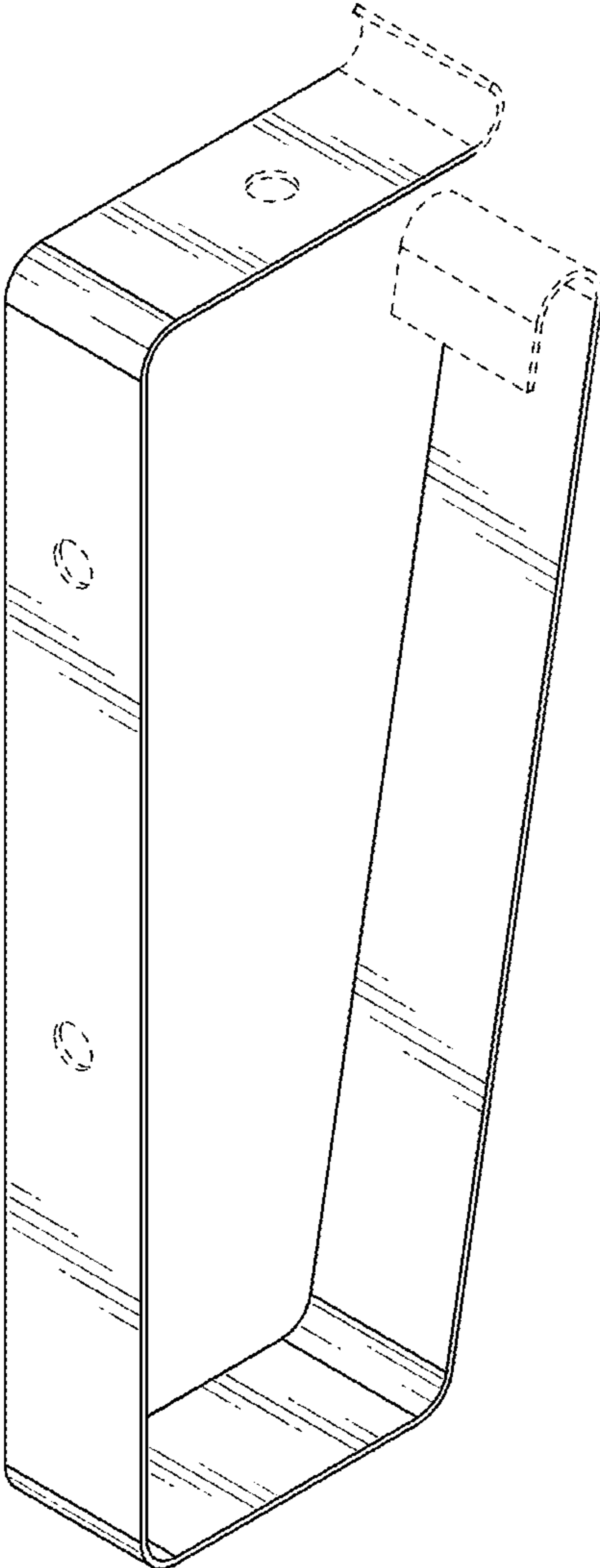


FIG. 3

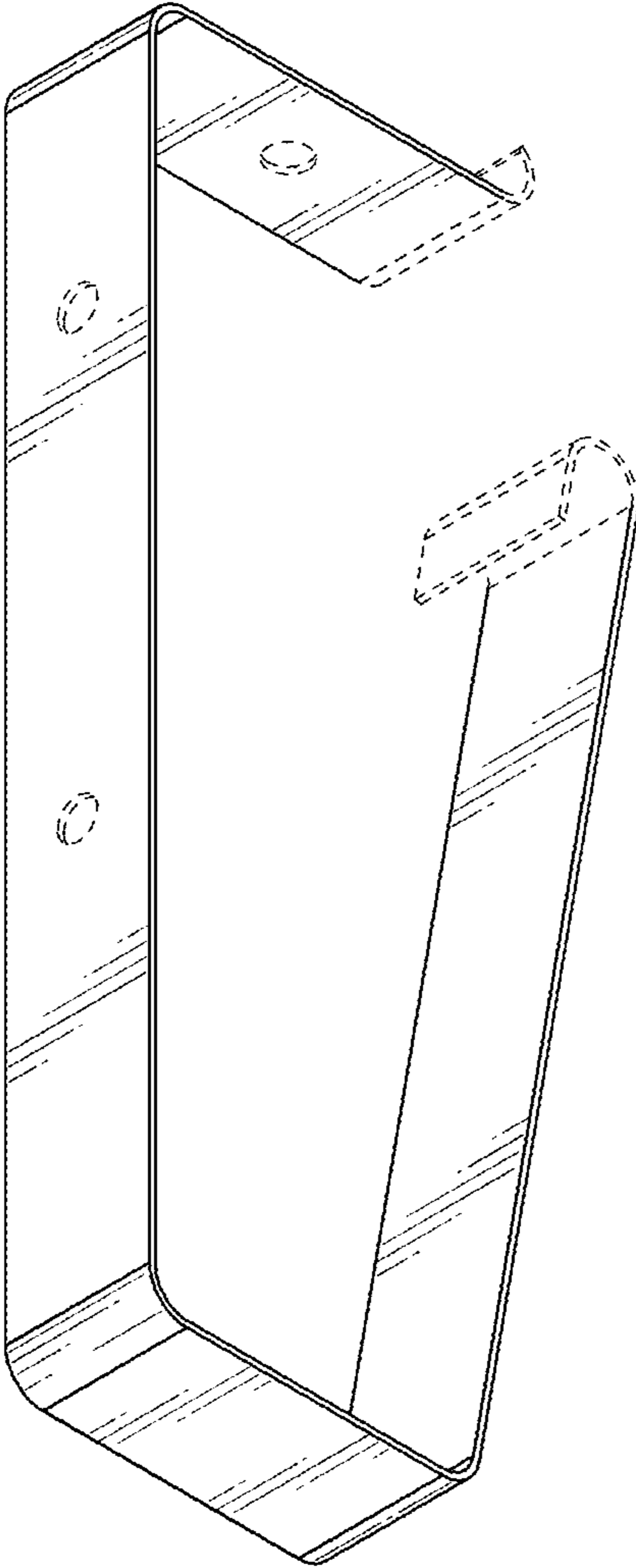


FIG. 4

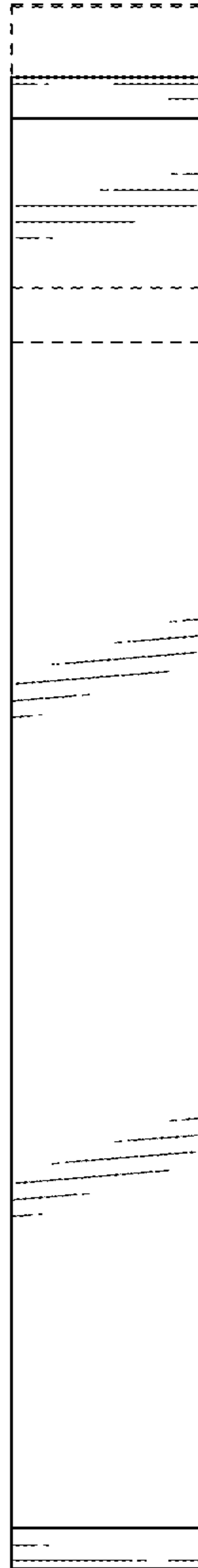


FIG. 5

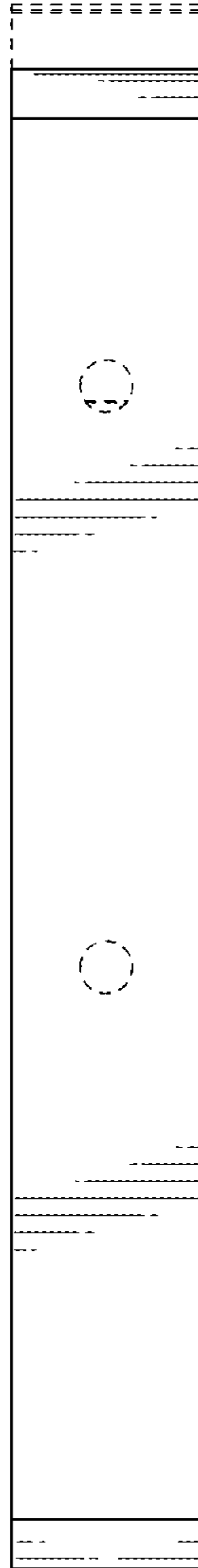


FIG. 6

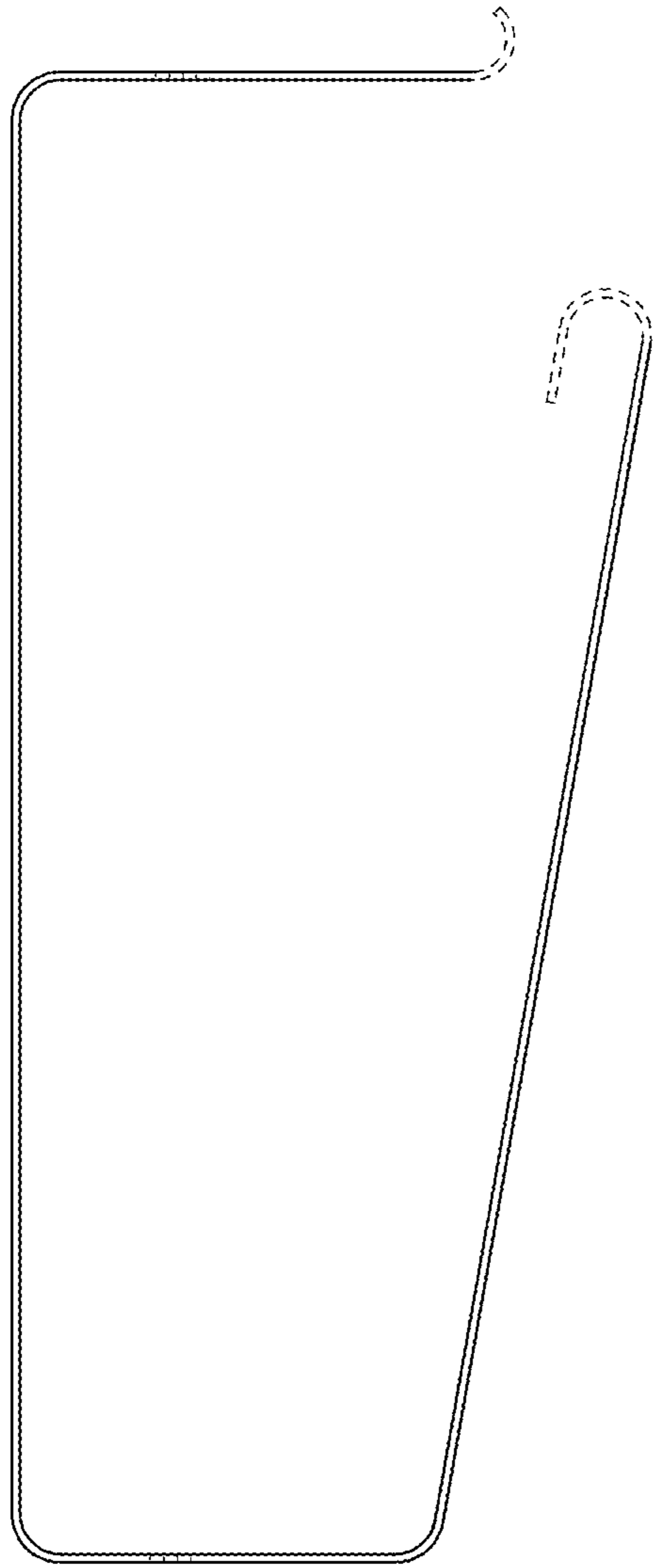


FIG. 7

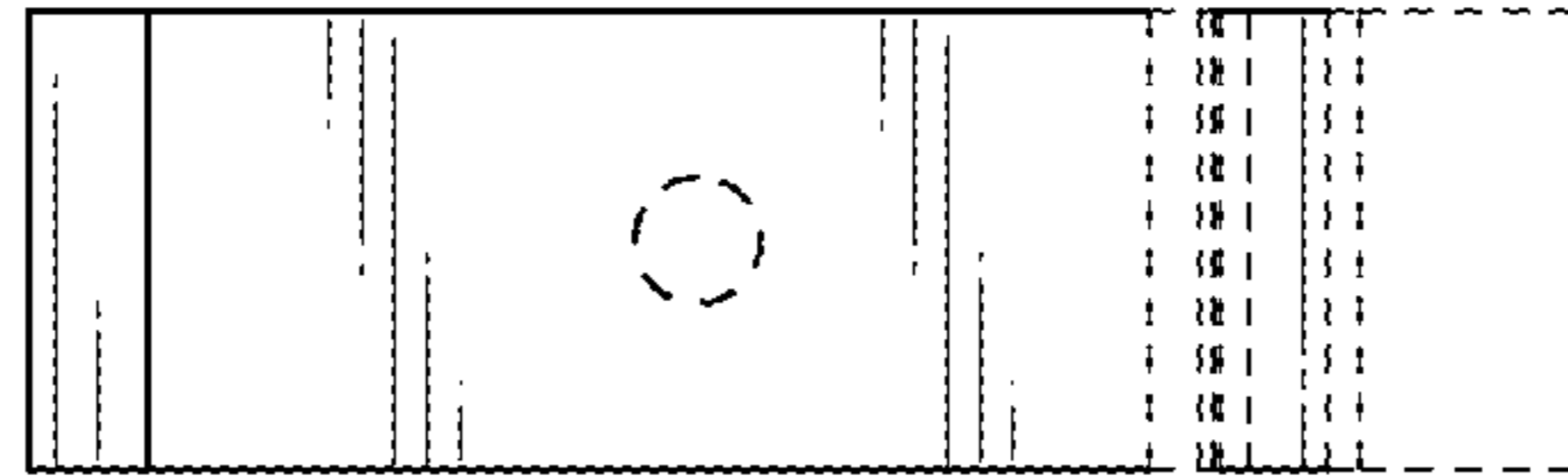


FIG. 8

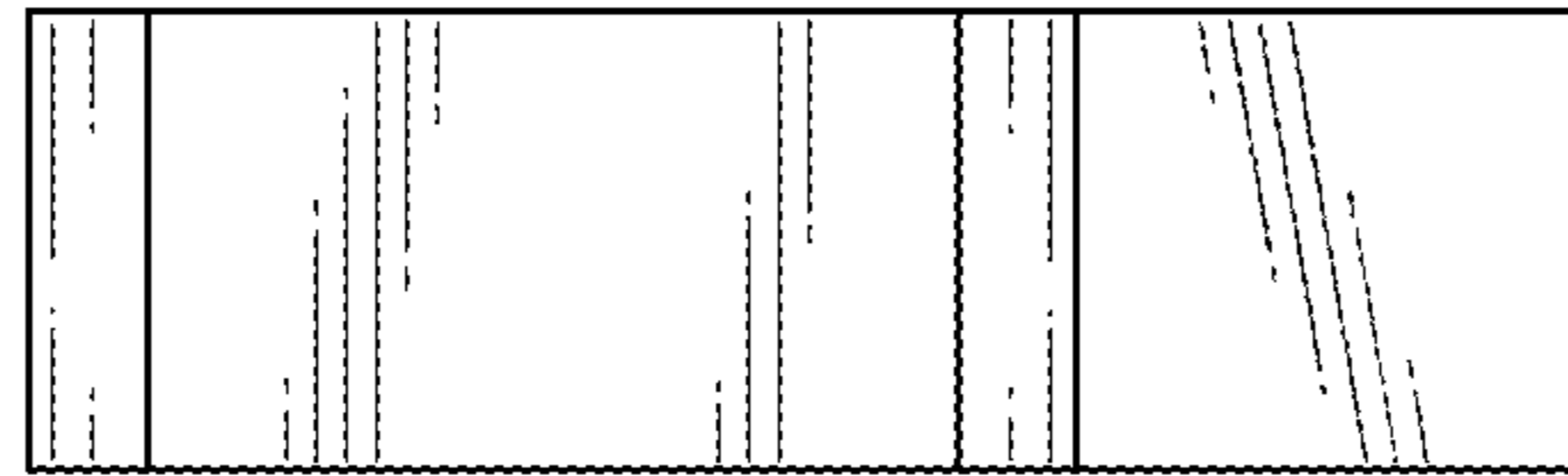


FIG. 9