



US0D1028683S

(12) **United States Design Patent** (10) **Patent No.:** **US D1,028,683 S**
Rubenzer (45) **Date of Patent:** **** May 28, 2024**

- (54) **LOAD CARRYING HOLDER**
- (71) Applicant: **Peter Jon Rubenzer**, Frisco, TX (US)
- (72) Inventor: **Peter Jon Rubenzer**, Frisco, TX (US)
- (**) Term: **15 Years**
- (21) Appl. No.: **29/829,804**
- (22) Filed: **Mar. 8, 2022**
- (51) **LOC (14) Cl.** **08-08**
- (52) **U.S. Cl.**
USPC **D8/349; D8/71**
- (58) **Field of Classification Search**
USPC D3/201, 215, 228; D8/71, 349, 354, 355,
D8/382-387; D11/200
CPC A45F 5/00; A45F 5/02; A45F 5/021; F16B
2/00; F16B 2/02; F16B 2/04; F16B 2/06;
F16B 2/10; F16B 2/20; F16B 2/22
See application file for complete search history.

- D969,589 S * 11/2022 Buczynski D8/349
- D989,475 S * 6/2023 Chambers D3/228
- D1,002,189 S * 10/2023 Martir D3/228
- 2008/0104802 A1 * 5/2008 Vermillion A45F 5/021
24/3.12
- 2021/0140564 A1 * 5/2021 Ruberto F16L 3/003
- 2021/0289927 A1 * 9/2021 Kozelian, Jr. H04M 1/04

* cited by examiner

Primary Examiner — Richard Kearney
Assistant Examiner — Benjamin M Weeks
(74) *Attorney, Agent, or Firm* — Law Office of Sam
Sokhansanj PLLC

(57) **CLAIM**

The ornamental design for a load carrying holder, as shown and described.

DESCRIPTION

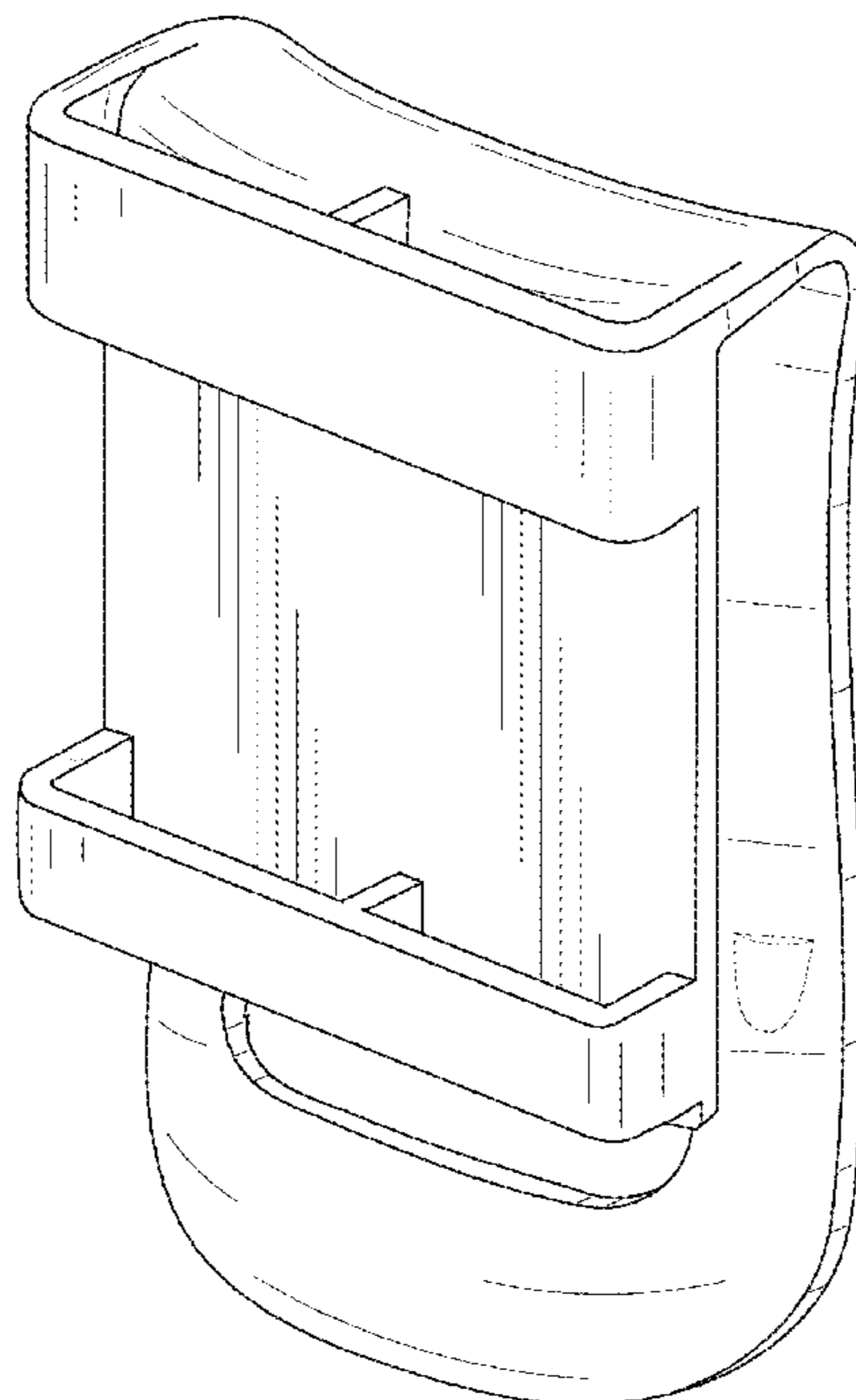
FIG. 1 illustrates a perspective view of a load carrying holder,
FIG. 2 illustrates a front view of the load carrying holder of FIG. 1.
FIG. 3 illustrates a rear view of the load carrying holder of FIG. 1.
FIG. 4 illustrates a right side view of the load carrying holder of FIG. 1.
FIG. 5 illustrates a left side view of the load carrying holder of FIG. 1.
FIG. 6 illustrates a top view of the load carrying holder of FIG. 1; and,
FIG. 7 illustrates a bottom view of the load carrying holder of FIG. 1.
The broken lines show portions of the load carrying holder and environmental subject matter which form no part of the claimed design.

(56) **References Cited**

U.S. PATENT DOCUMENTS

- 4,757,927 A * 7/1988 Rutty A45F 5/02
224/904
- D352,254 S * 11/1994 Prosser D11/218
- D450,561 S * 11/2001 Moore D8/383
- D568,782 S * 5/2008 Yang D11/200
- D570,247 S * 6/2008 Hajianpour D11/201
- D610,946 S * 3/2010 Harada D11/218
- D753,982 S * 4/2016 Guirlinger D8/349
- D802,402 S * 11/2017 Hintze D8/367
- D830,052 S * 10/2018 Meredith, Sr. D3/215
- D839,590 S * 2/2019 Vedder D3/222
- D887,129 S * 6/2020 Zhao D3/226
- D887,817 S * 6/2020 Belt D8/349
- D964,550 S * 9/2022 Hall, Jr. D24/110.1

1 Claim, 5 Drawing Sheets



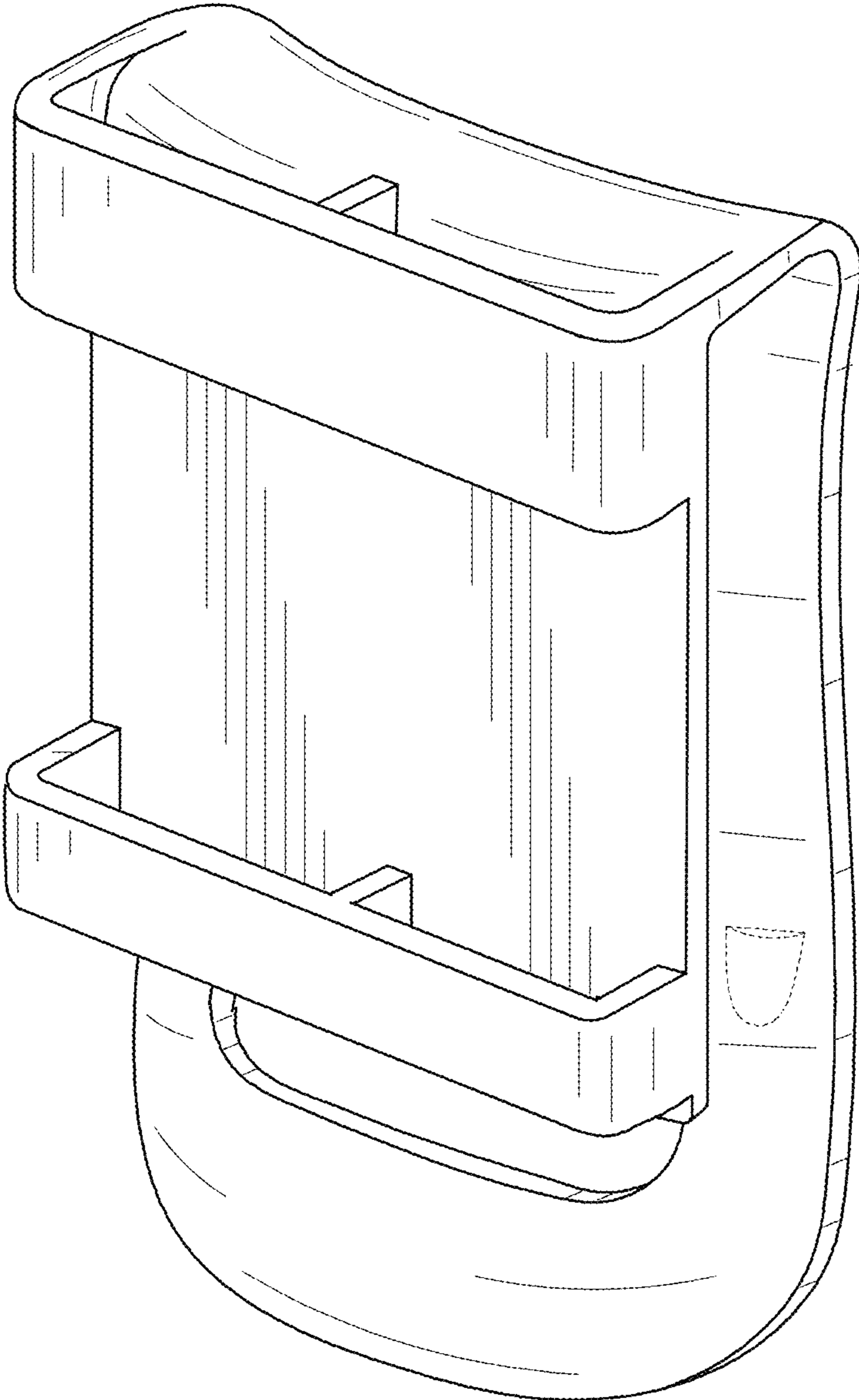


FIG. 1

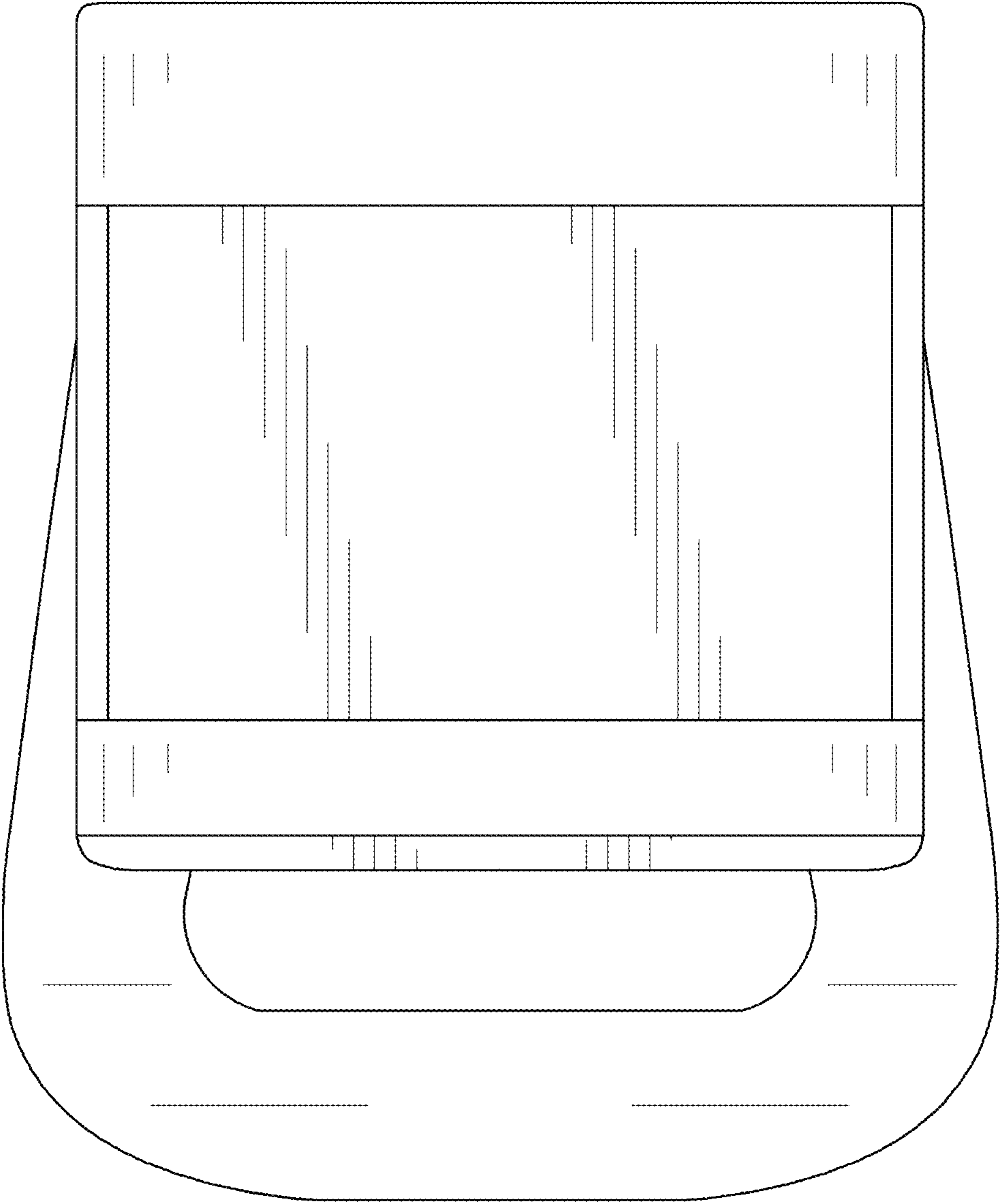


FIG. 2

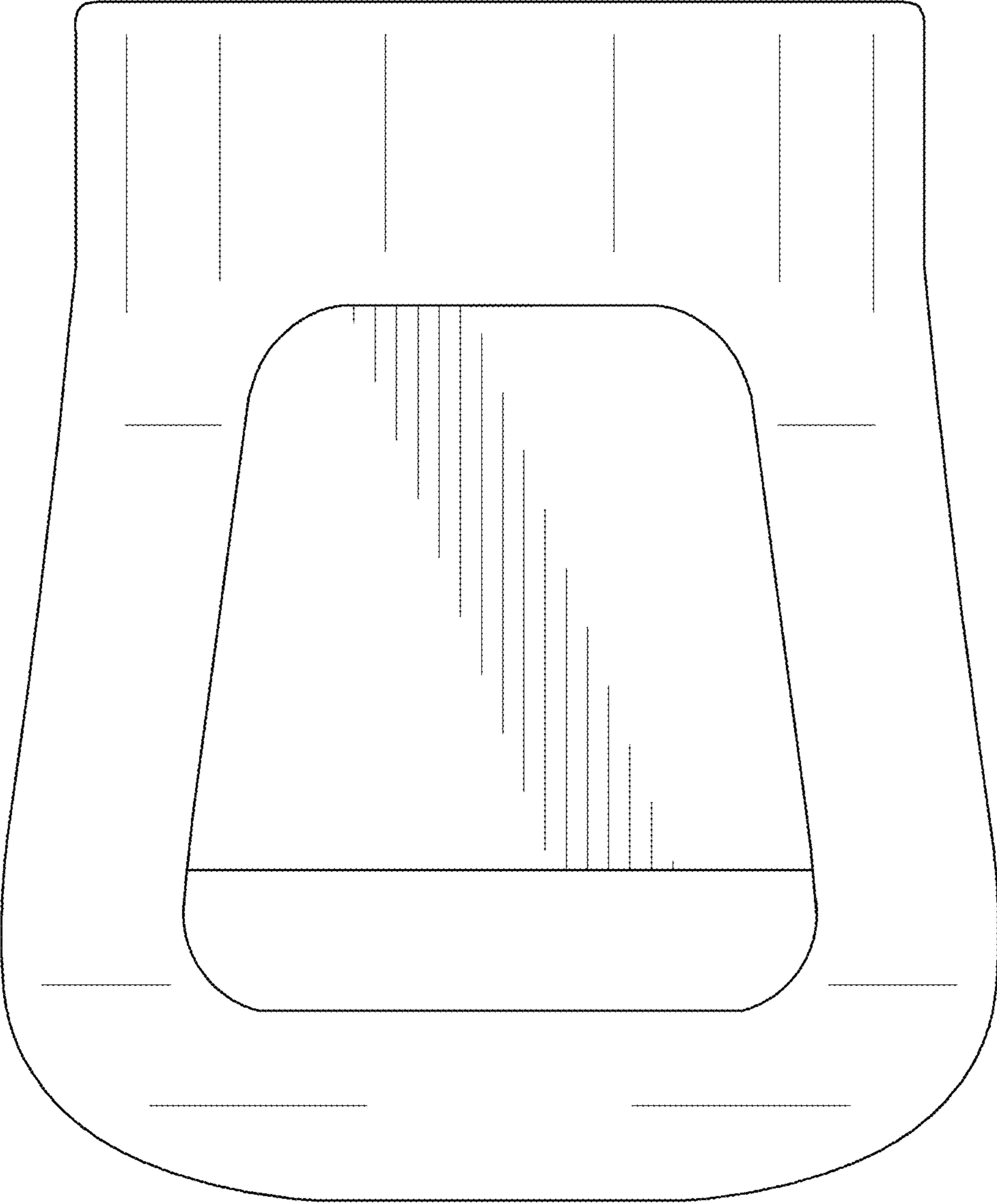


FIG. 3

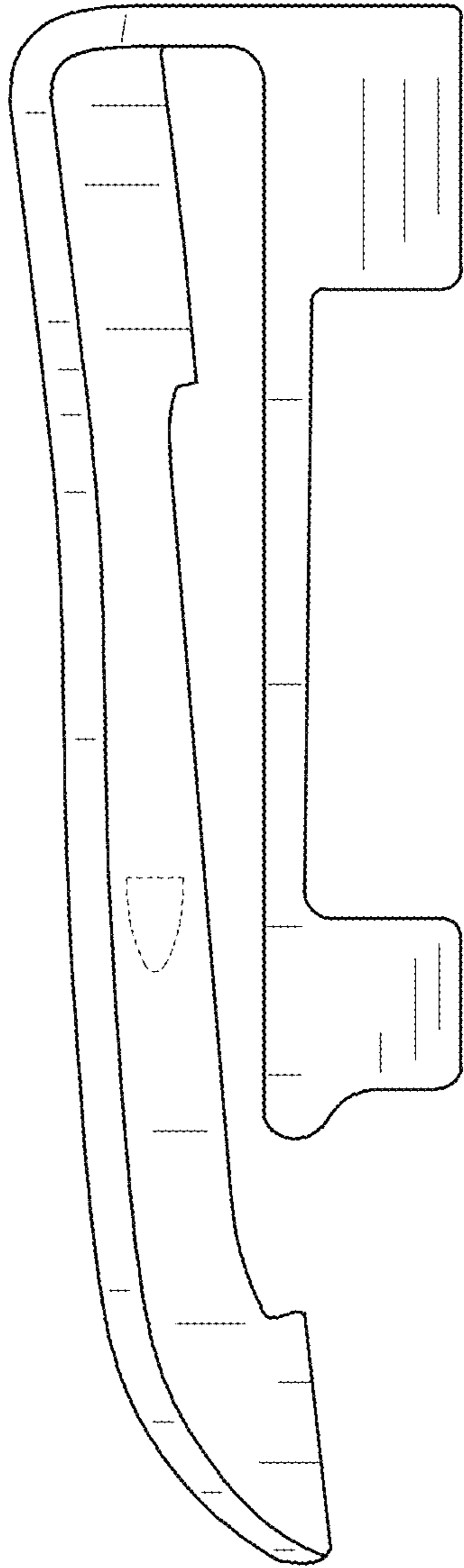


FIG. 4

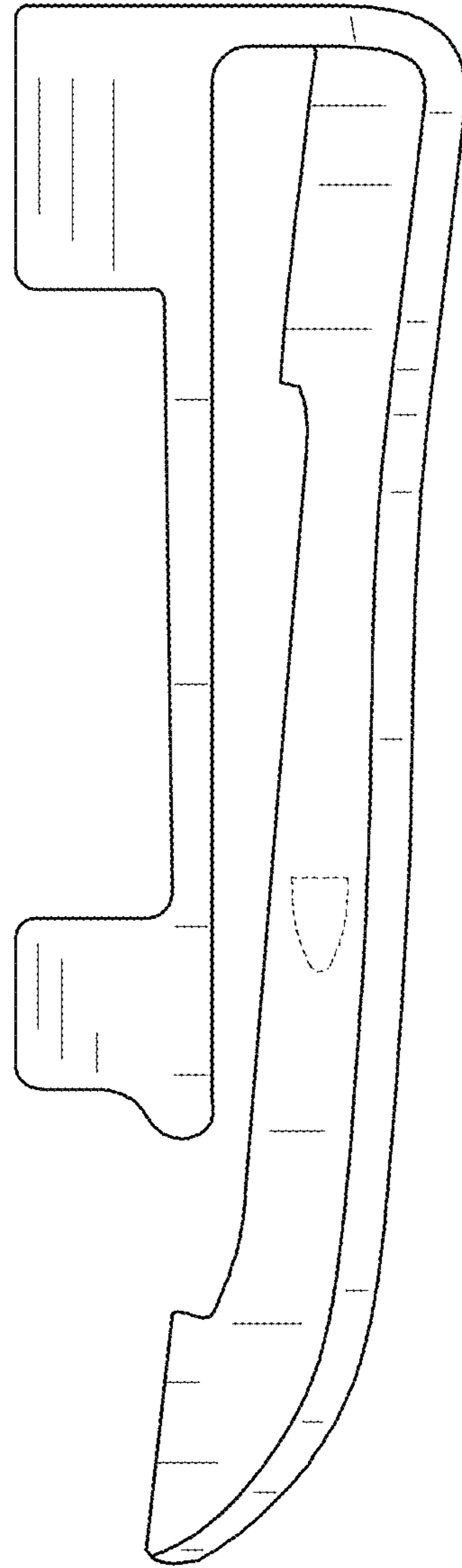


FIG. 5

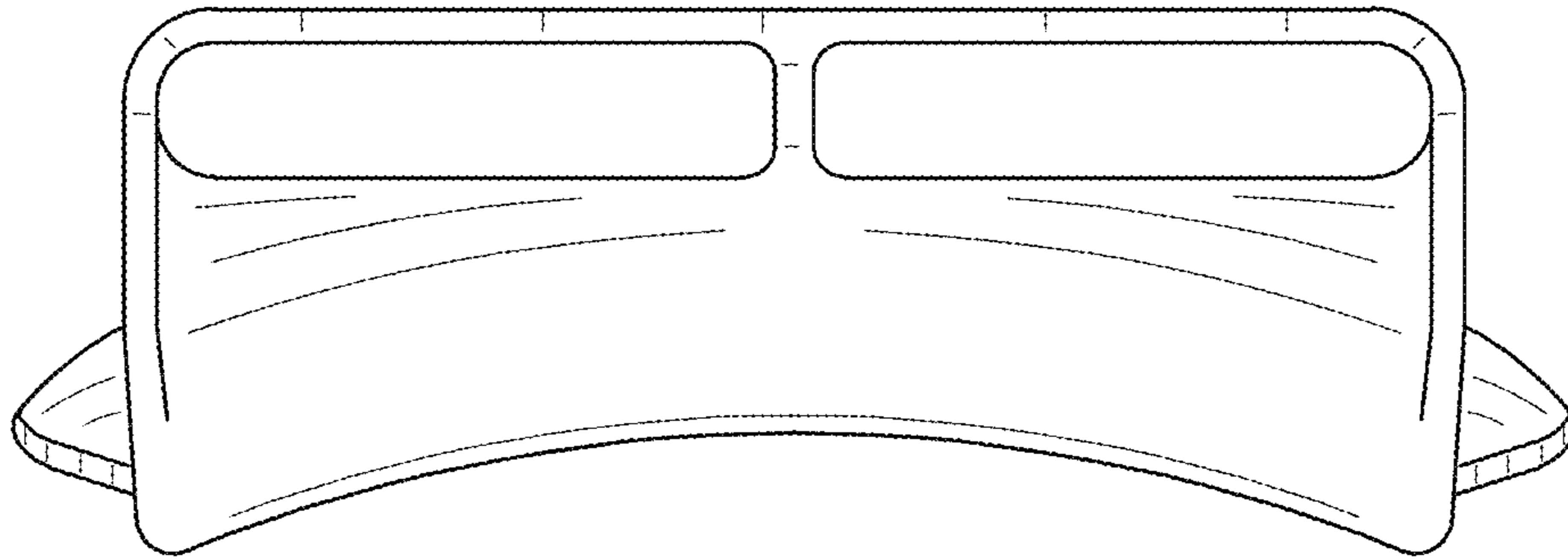


FIG. 6

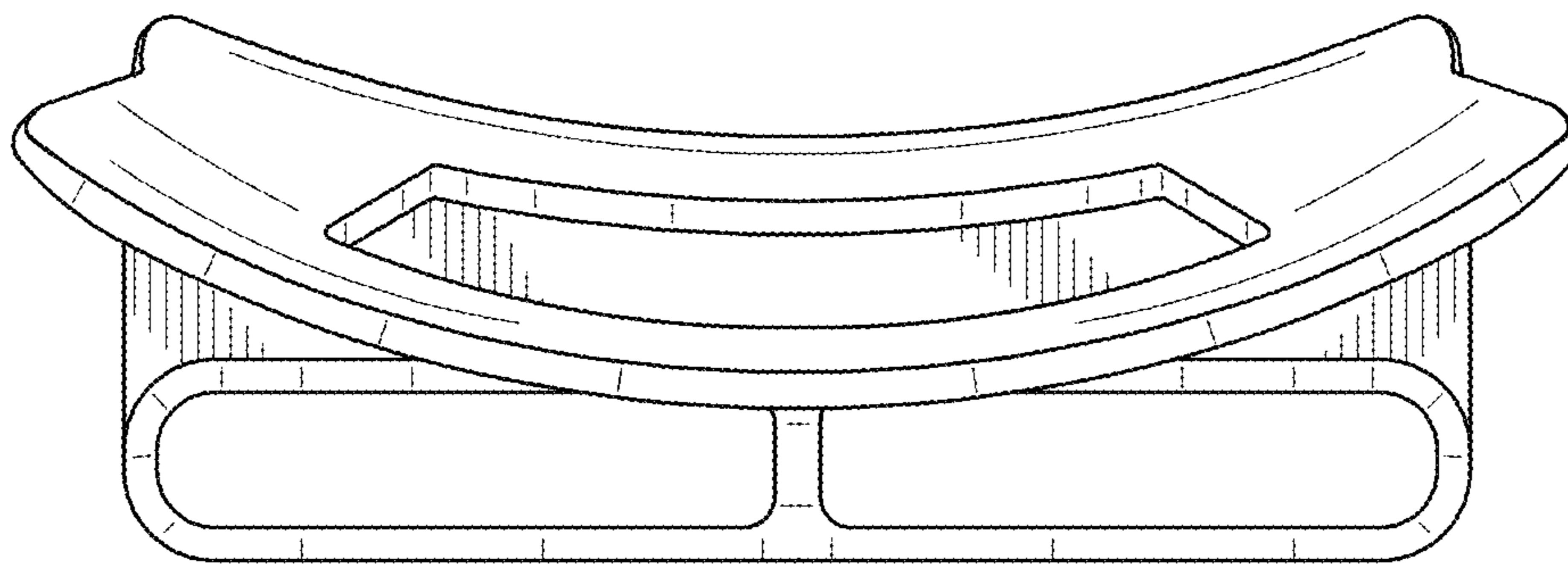


FIG. 7