



US0D1028669S

(12) **United States Design Patent** (10) **Patent No.:** **US D1,028,669 S**
Carr (45) **Date of Patent:** **** May 28, 2024**

(54) **EDGE BEVELER**

(71) Applicant: **TANDY LEATHER FACTORY, INC.**,
Fort Worth, TX (US)

(72) Inventor: **Janet Carr**, Forth Worth, TX (US)

(73) Assignee: **TANDY LEATHER FACTORY, INC.**,
Fort Worth, TX (US)

(**) Term: **15 Years**

(21) Appl. No.: **29/867,156**

(22) Filed: **Oct. 12, 2022**

(51) **LOC (14) Cl.** **08-03**

(52) **U.S. Cl.**
USPC **D8/98**

(58) **Field of Classification Search**
USPC D8/14, 51, 98, 101
CPC B26D 3/02; B26D 1/015; B26D 7/025
See application file for complete search history.

(56) **References Cited**

U.S. PATENT DOCUMENTS

1,472,094 A *	10/1923	Simon	C14B 1/14
				69/11
1,699,348 A *	1/1929	Cook	C14B 5/04
				428/167
2016/0230238 A1 *	8/2016	Nettles	B26D 3/02

OTHER PUBLICATIONS

Mater Tool EZ Edge Strap Beveler, Video review from Weaverleathersupply.com, reviewed on or before Sept. 6, 2020.*
Aliexpress.com DIY Leather Edge Cutter Beveler Trimmer, Mar. 1, 2024.*

Weaver Leather Supply: Master Tool EZ Edge Strap Beveler; retrieved online from <https://www.weaverleathersupply.com/products/master-tool-ez-edge-strap-beveler> on Jan. 12, 2023; 2 pages.

* cited by examiner

Primary Examiner — Philip S Hyder

(74) *Attorney, Agent, or Firm* — HAYNES AND BOONE, LLP

(57) **CLAIM**

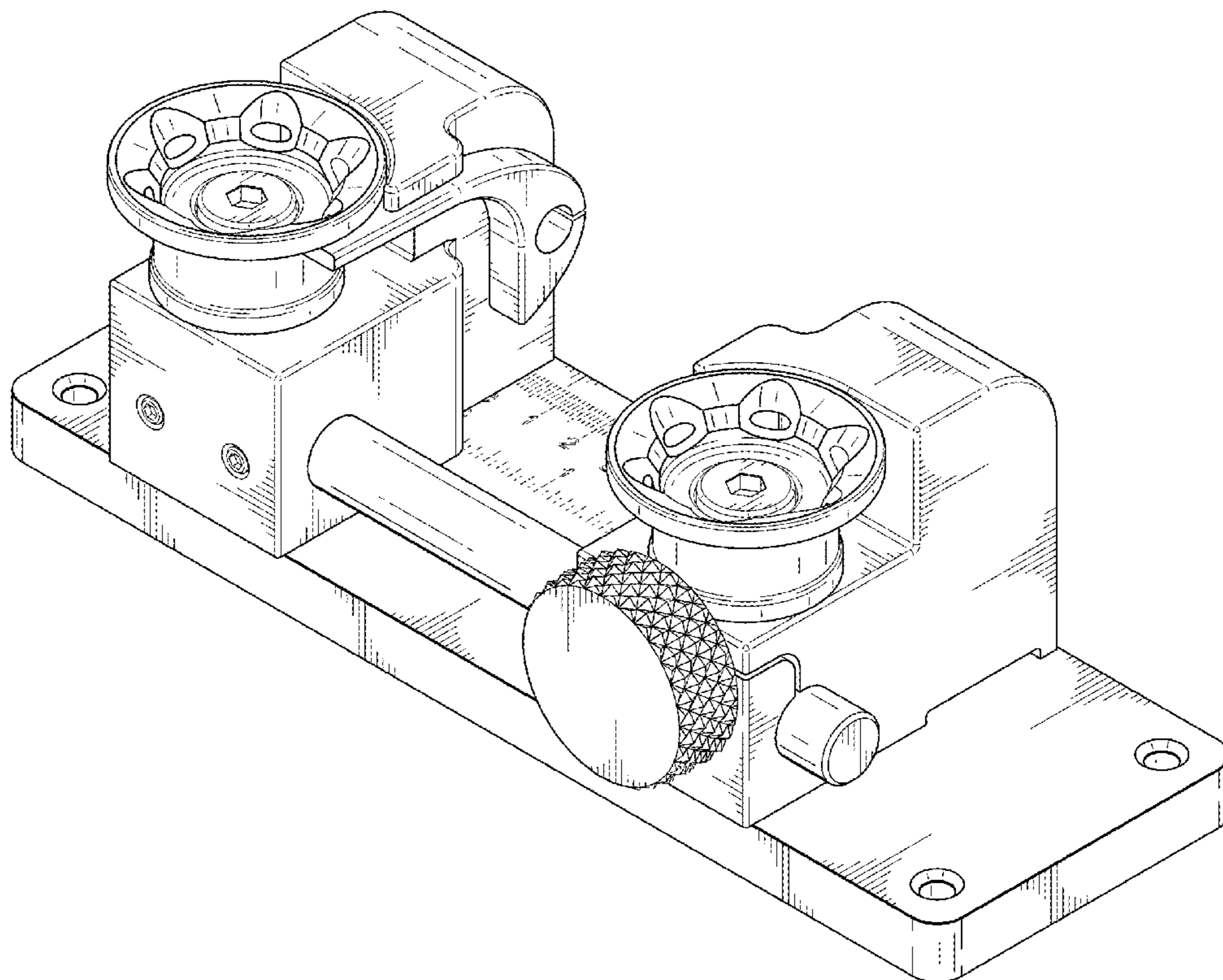
The ornamental design for an edge beveler, as shown and described.

DESCRIPTION

FIG. 1 is a front perspective view of an edge beveler showing my new design;
FIG. 2 is a front view thereof;
FIG. 3 is a rear view thereof;
FIG. 4 is a right side view thereof;
FIG. 5 is a left side view thereof;
FIG. 6 is a top view thereof;
FIG. 7 is a bottom view thereof; and,
FIG. 8 is a rear perspective view thereof.

The broken lines in FIGS. 1, 6, and 8 are included for the purpose of illustrating the environment of the claimed design, and form no part of the claimed design.

1 Claim, 7 Drawing Sheets



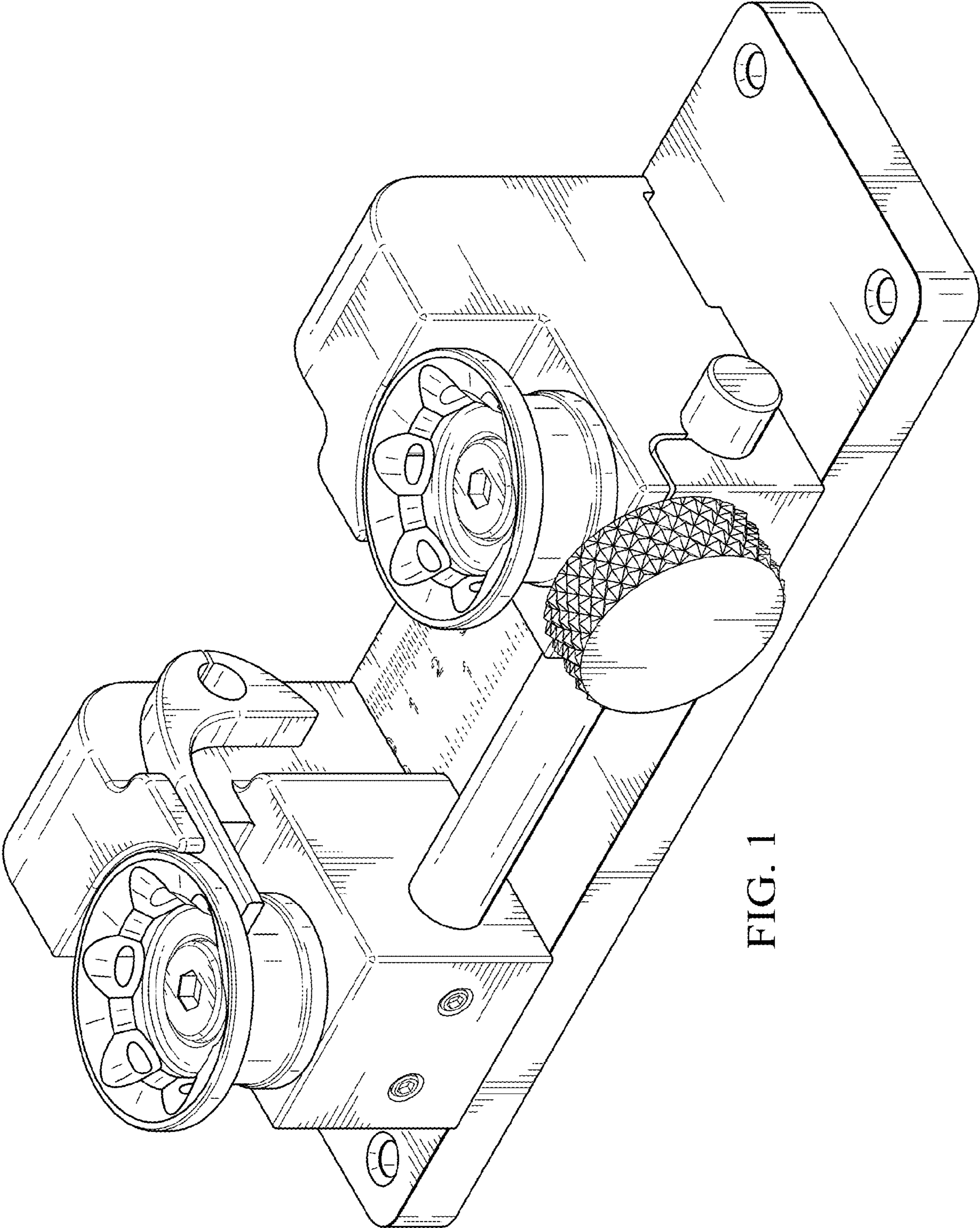


FIG. 1

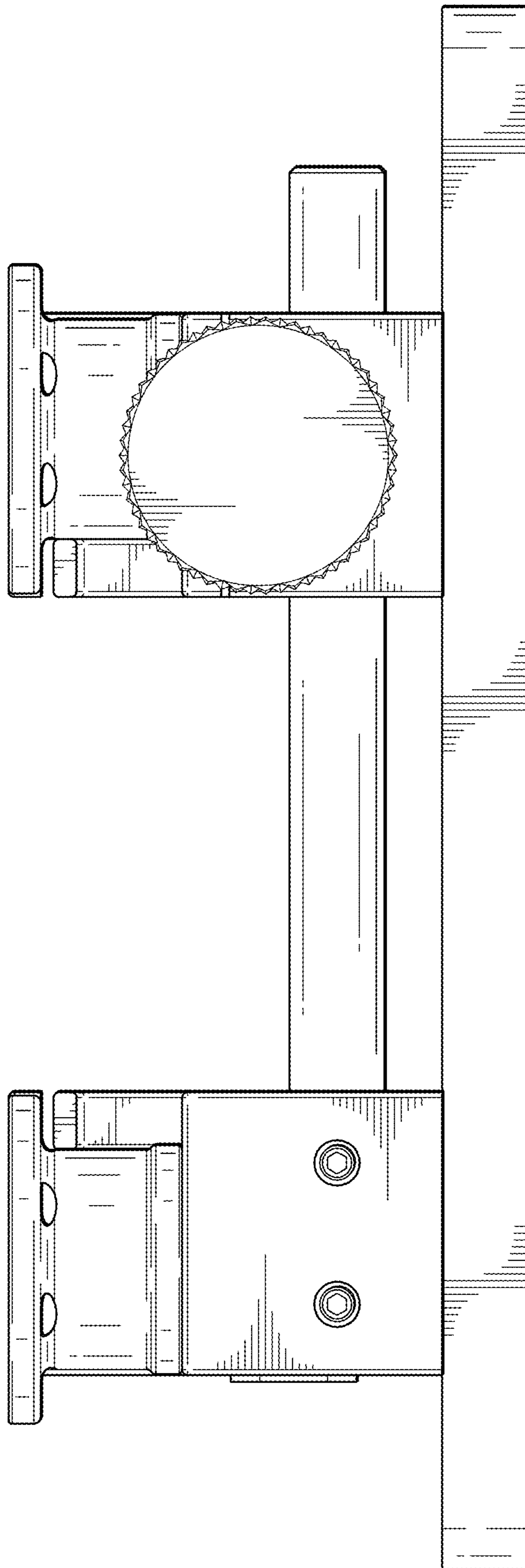


FIG. 2

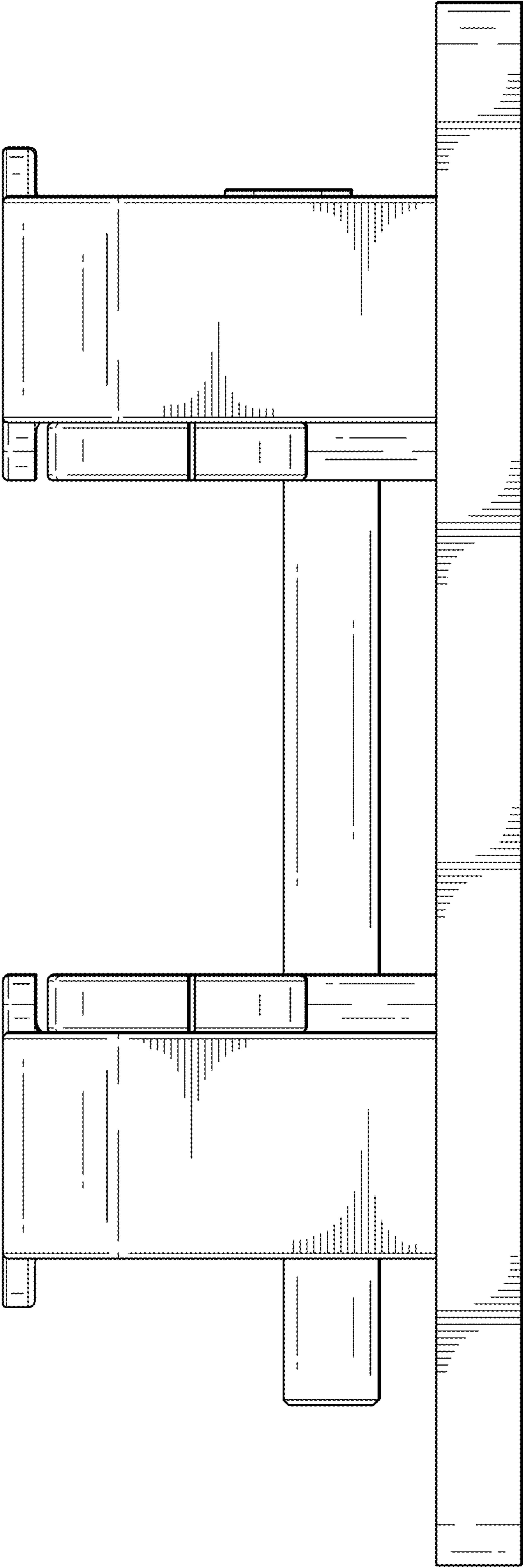


FIG. 3

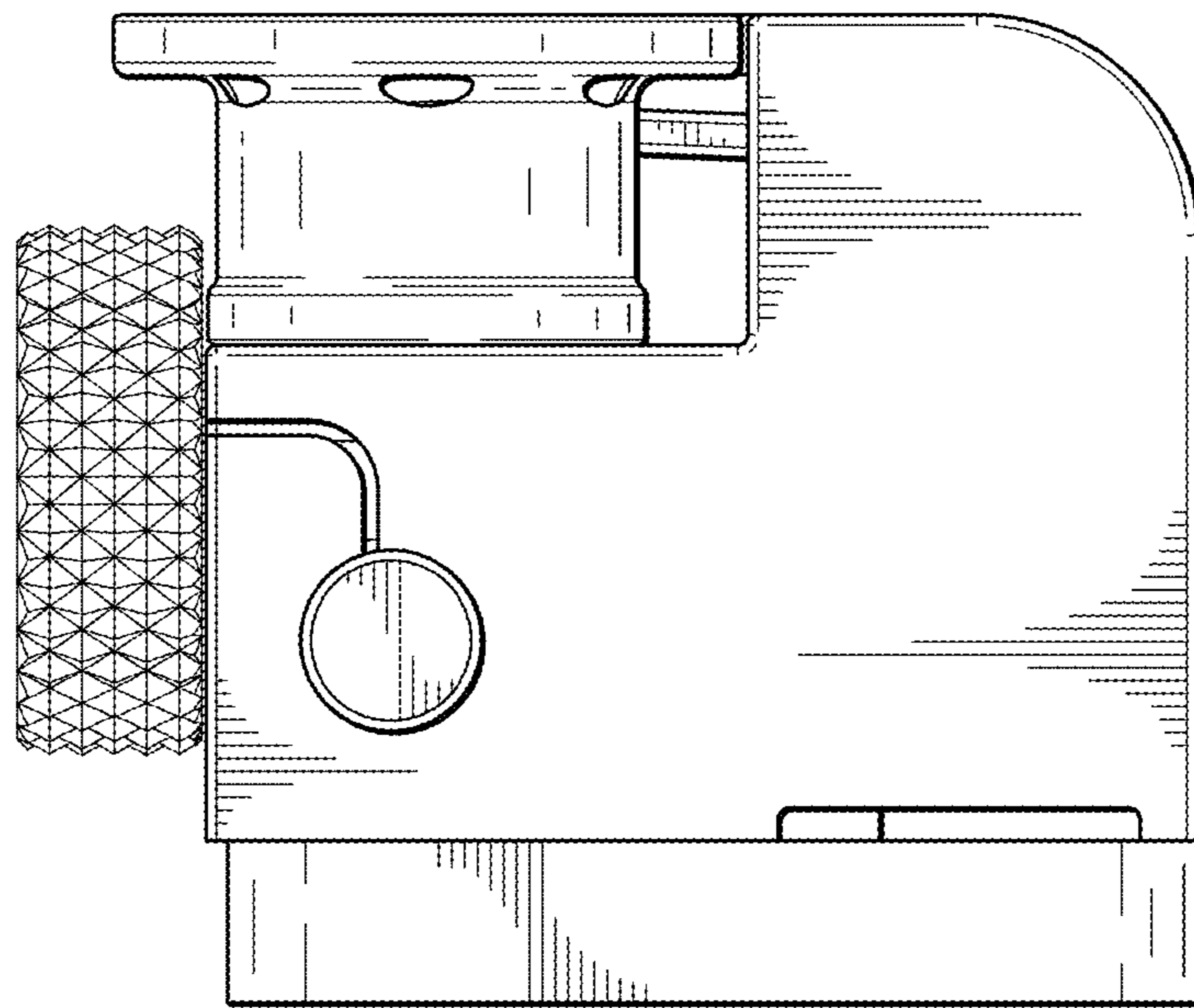


FIG. 4

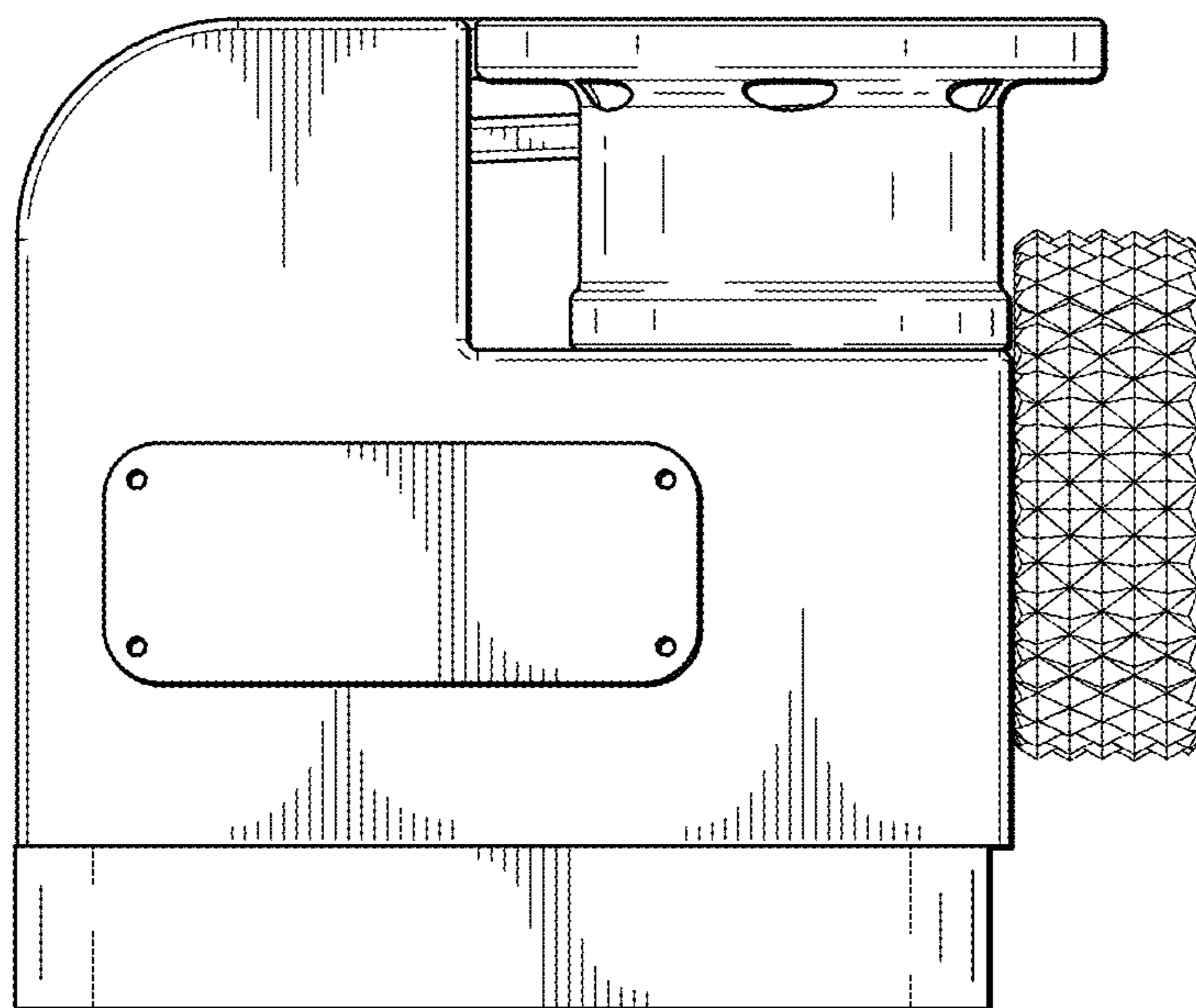


FIG. 5

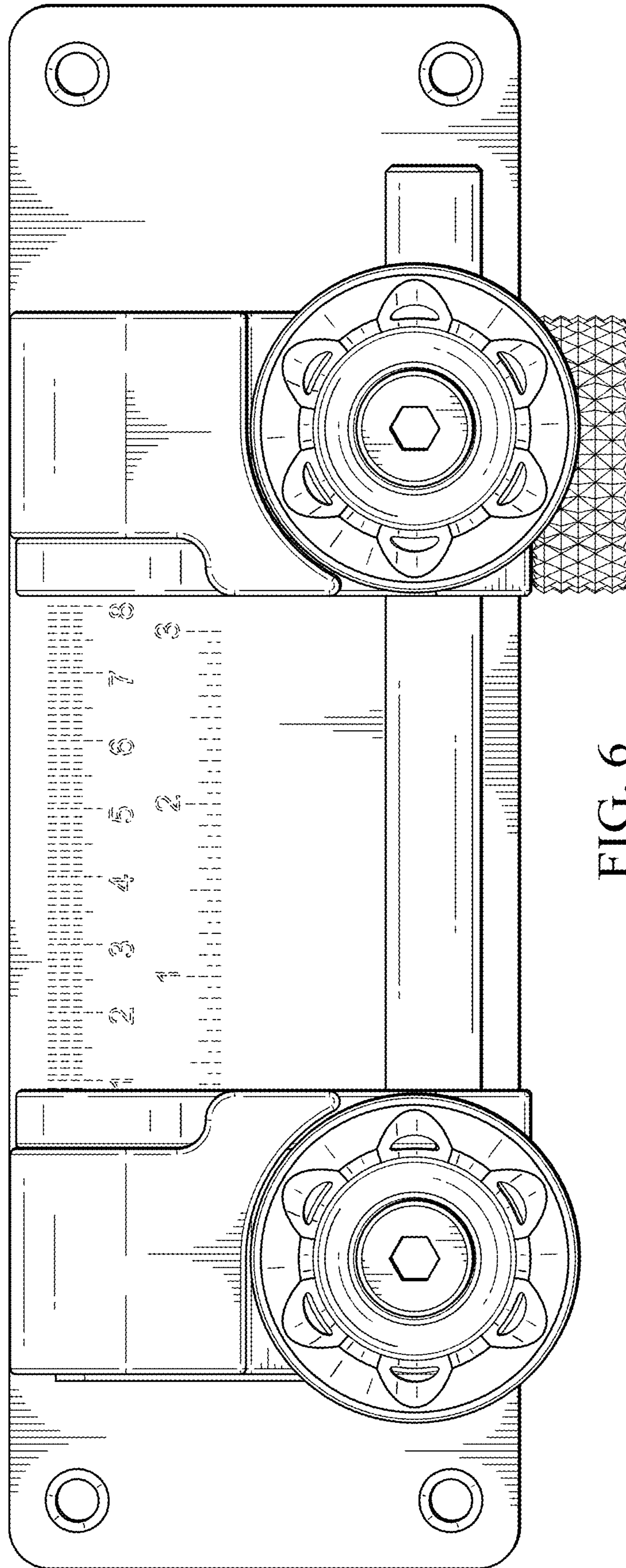


FIG. 6

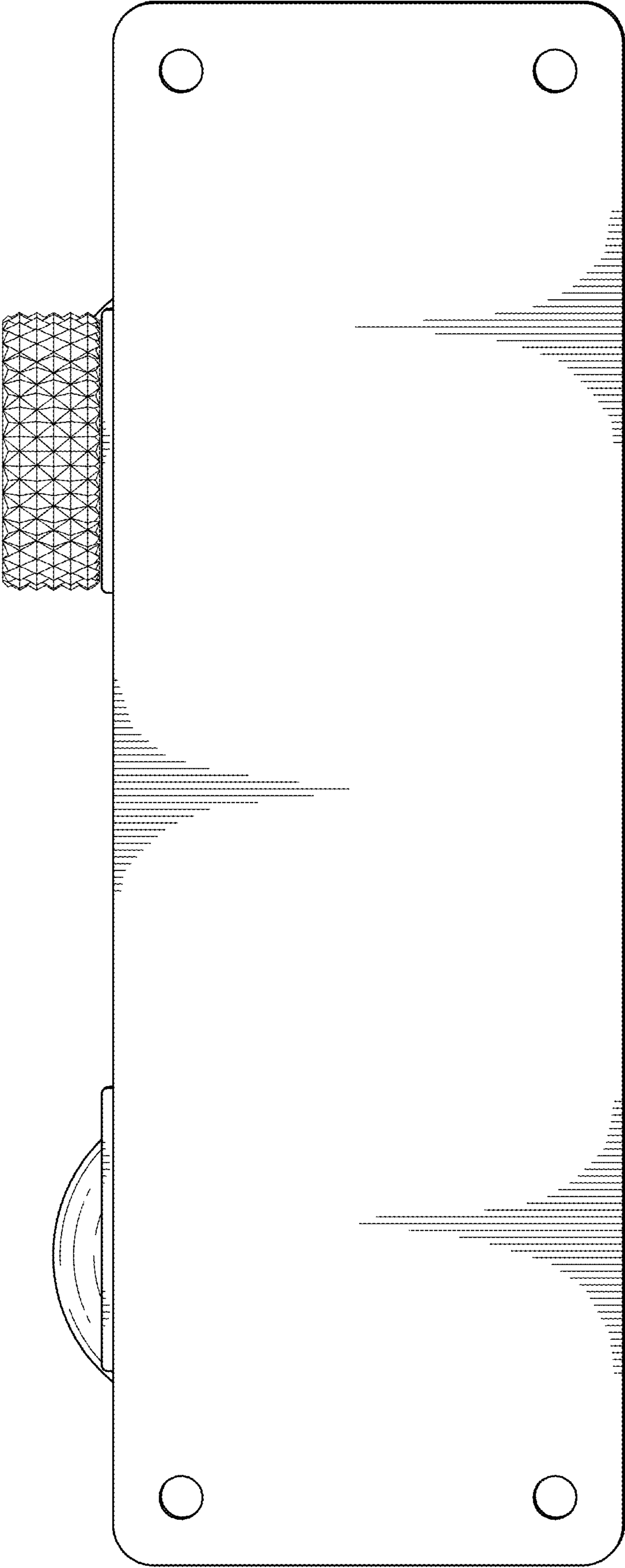


FIG. 7

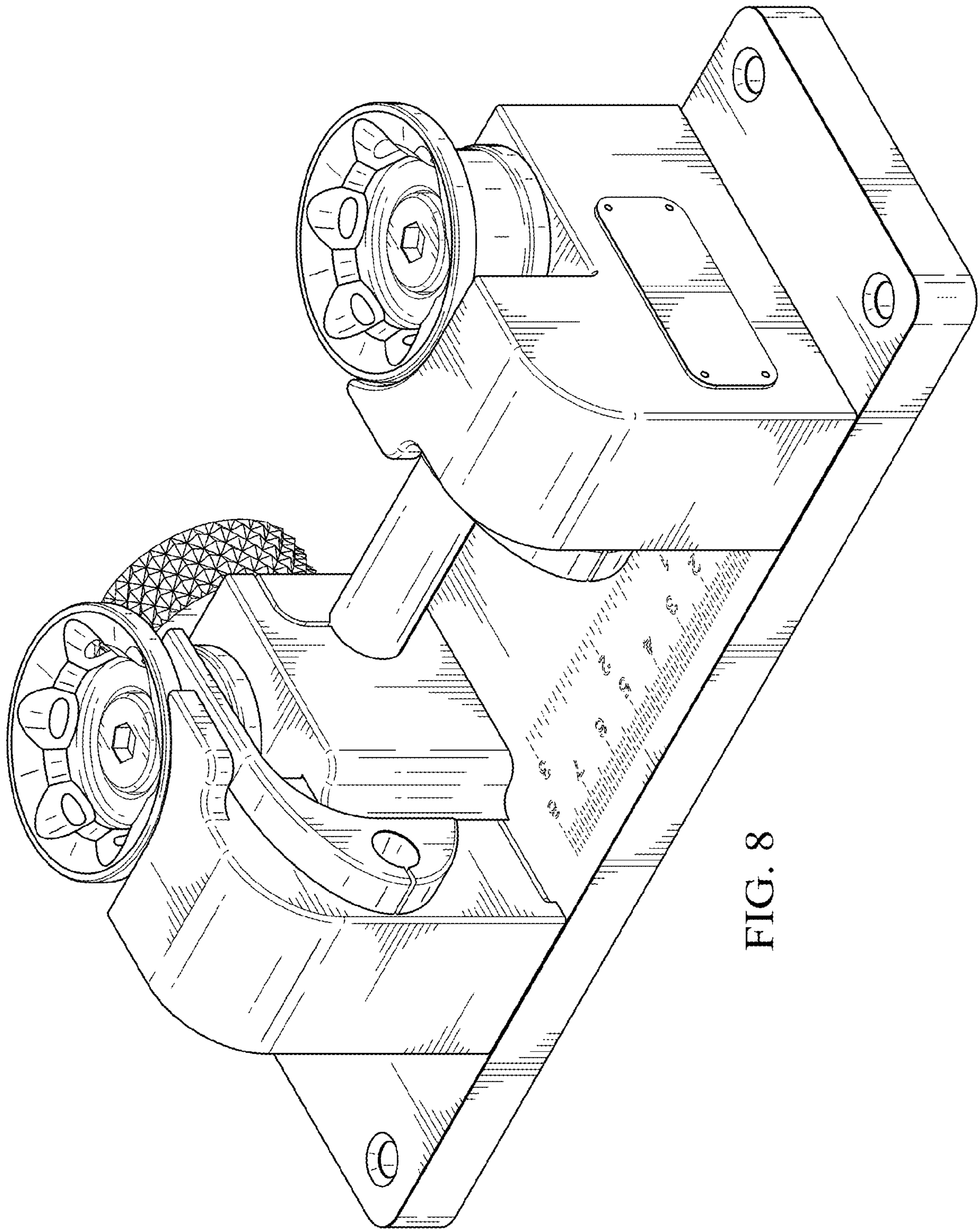


FIG. 8