



US0D1028661S

(12) **United States Design Patent** (10) **Patent No.:** **US D1,028,661 S**  
**Yi** (45) **Date of Patent:** **\*\* May 28, 2024**

(54) **TUNGSTEN ELECTRODE GRINDING ANGLE CONTROLLER**

D946,991 S \* 3/2022 Damron ..... D7/412  
D950,847 S \* 5/2022 Harthoorn ..... D27/195  
D969,571 S \* 11/2022 Folmann ..... D7/679

(71) Applicant: **Wen Yi**, Shenzhen (CN)

(72) Inventor: **Wen Yi**, Shenzhen (CN)

(\*\*) Term: **15 Years**

(21) Appl. No.: **29/715,217**

(22) Filed: **Nov. 29, 2019**

(51) **LOC (14) Cl.** ..... **08-05**

(52) **U.S. Cl.**  
USPC ..... **D8/62**

(58) **Field of Classification Search**  
USPC ..... D8/349, 354–355, 373, 376–377, 363,  
D8/380–382, 387, 391, 393, 400–402,  
D8/404, 61, 70–71, 90–91, 62–63, 94;  
D12/223, 414, 400, 406; D15/138;  
D25/119–122, 124–127, 133–134;  
D6/524, 546, 549–550; D9/443–445, 454  
CPC ..... B24B 23/04; B24B 23/022; B24B 23/028;  
B24B 55/05; B24B 41/047  
See application file for complete search history.

(56) **References Cited**

**U.S. PATENT DOCUMENTS**

D762,090 S \* 7/2016 Grumbacher ..... D7/679  
D762,091 S \* 7/2016 Grumbacher ..... D7/679  
D864,690 S \* 10/2019 Byrum, III ..... D8/70  
D887,633 S \* 6/2020 Crowley ..... D27/195  
D889,925 S \* 7/2020 Tipton ..... D8/70  
D924,018 S \* 7/2021 Huang ..... D7/679  
D929,198 S \* 8/2021 Gysland ..... D8/62  
D934,047 S \* 10/2021 Mann ..... D15/140  
D944,616 S \* 3/2022 Jaggard ..... D8/70

**OTHER PUBLICATIONS**

3mirrors Aluminum Tungsten Electrode Sharpener Grinder, <https://www.amazon.com/ALUMINUM-Electrode-Sharpener-Multi-Angle-Connecting/dp/B07VWQ5553>, Aug. 1, 2019 (Year: 2019).\*  
Web Archive TungstenMate—Gen4, retrieved from the internet, retrieved on May 31, 2023, published on Aug. 6, 2019; <URL: <https://web.archive.org/web/20190806231451/https://www.tungstenmate.com/product/tungstenmate-gen4//>>.

\* cited by examiner

*Primary Examiner* — Karen S Acker  
*Assistant Examiner* — Elizabeth S Ko

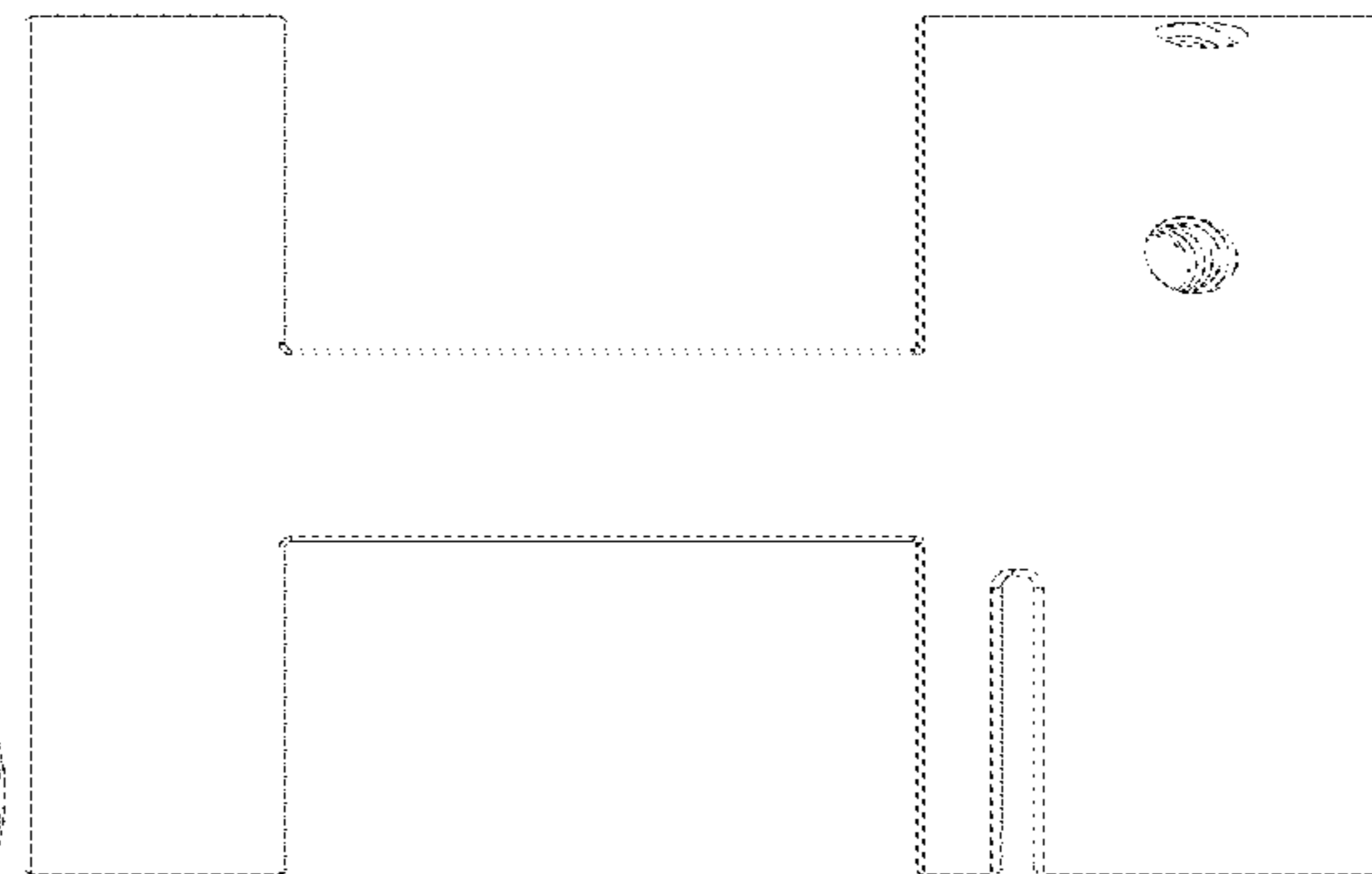
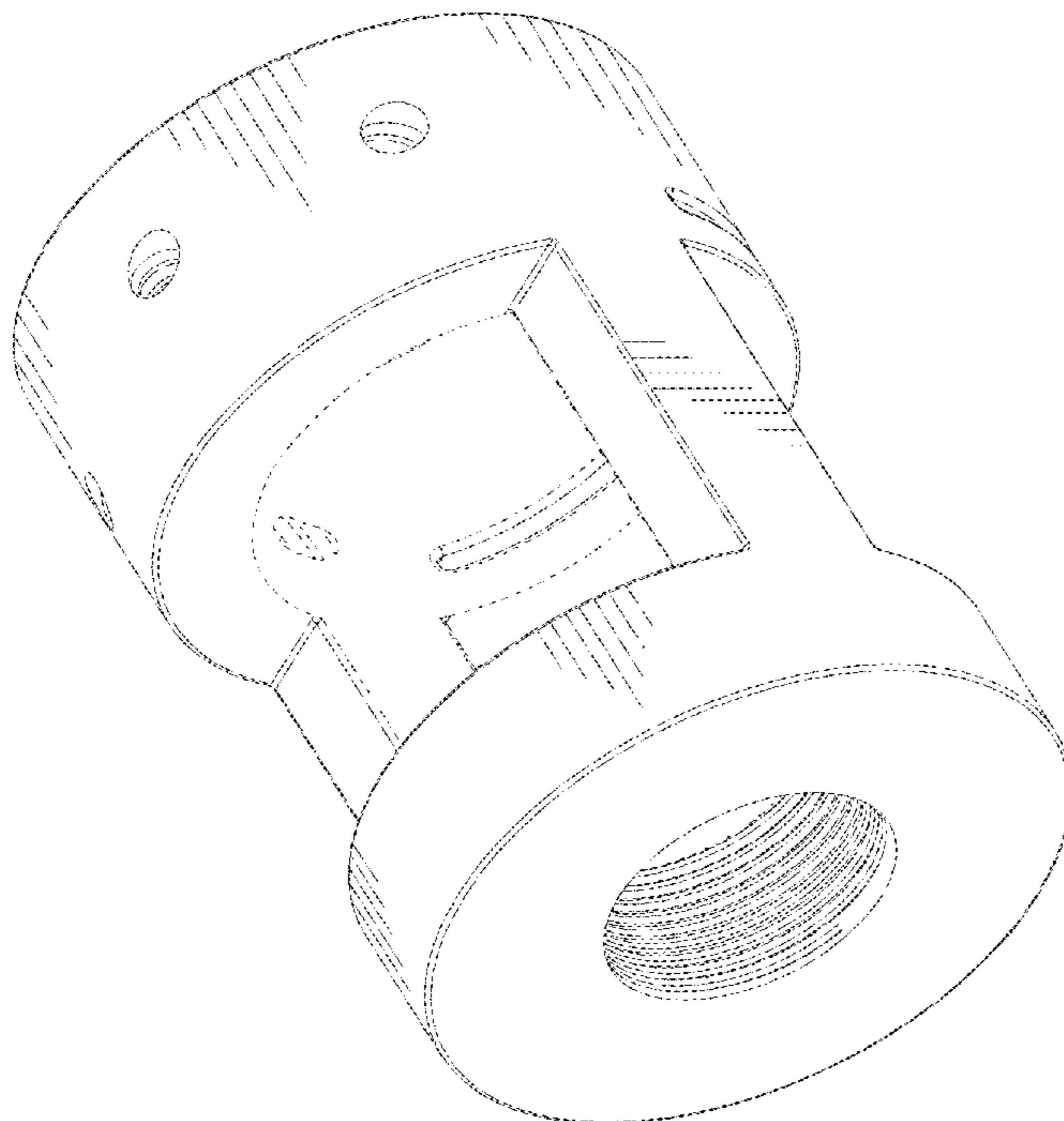
(57) **CLAIM**

The ornamental design for a tungsten electrode grinding angle controller, as shown and described.

**DESCRIPTION**

FIG. 1 is a perspective view of a tungsten electrode grinding angle controller showing my new design; FIG. 2 is a front elevational view thereof; FIG. 3 is a rear elevational view thereof; FIG. 4 is a left side elevational view thereof; FIG. 5 is a right side elevational view thereof; FIG. 6 is a top plan view thereof; and, FIG. 7 is a bottom plan view thereof. The broken lines and the interior areas inside the article depict portions of the tungsten electrode grinding angle controller that form no part of the claimed design.

**1 Claim, 7 Drawing Sheets**



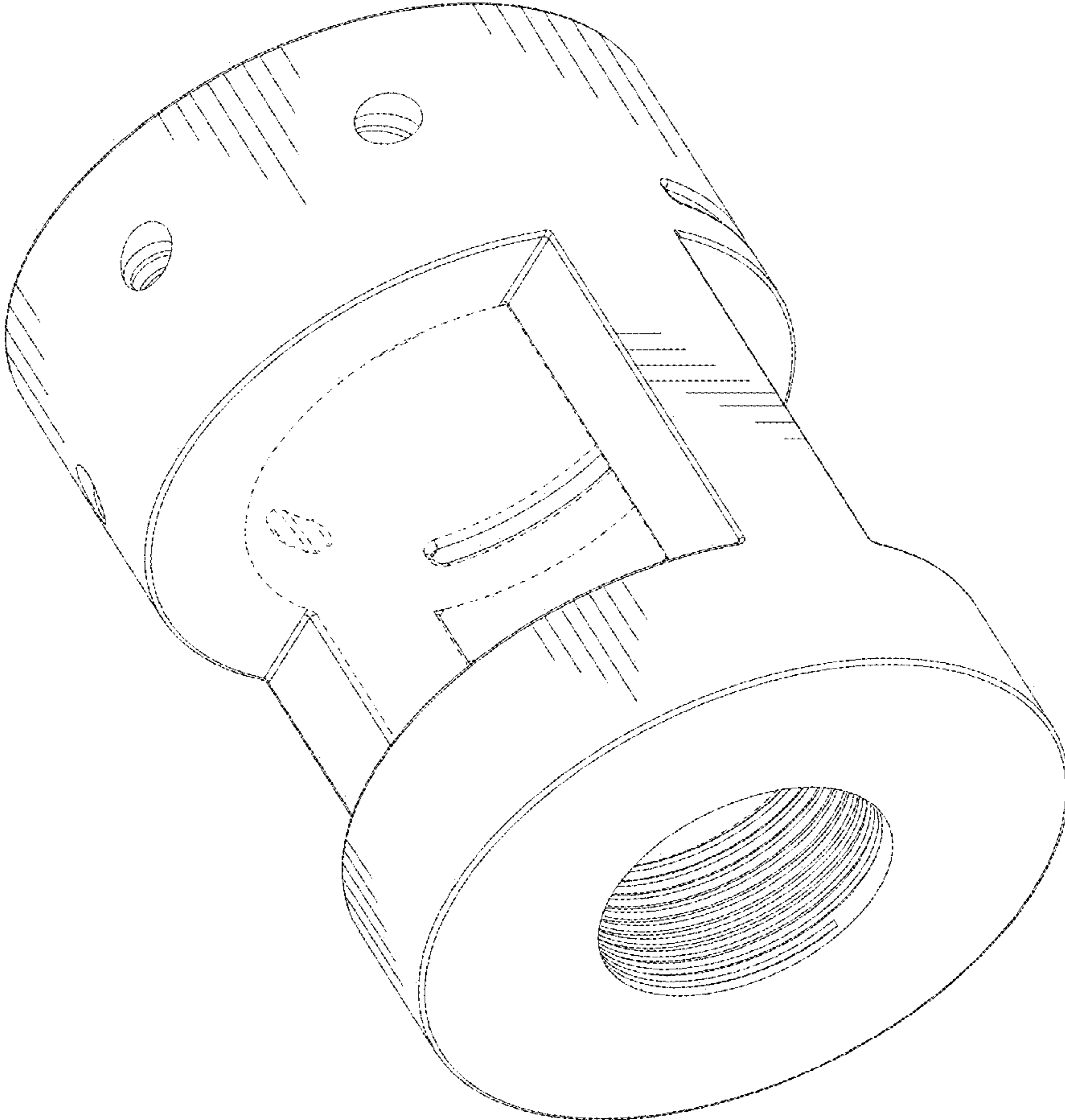


FIG. 1

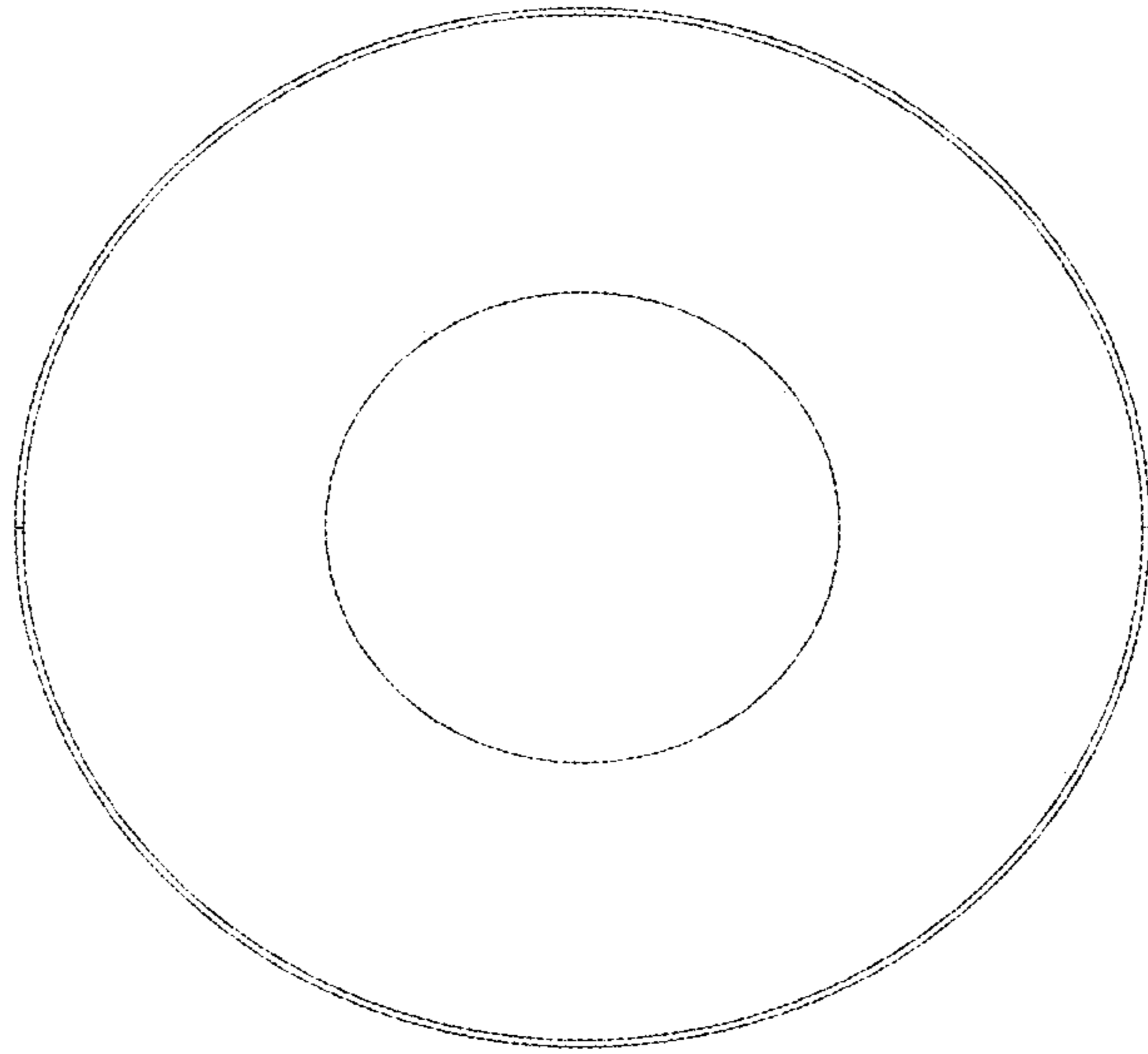


FIG. 2

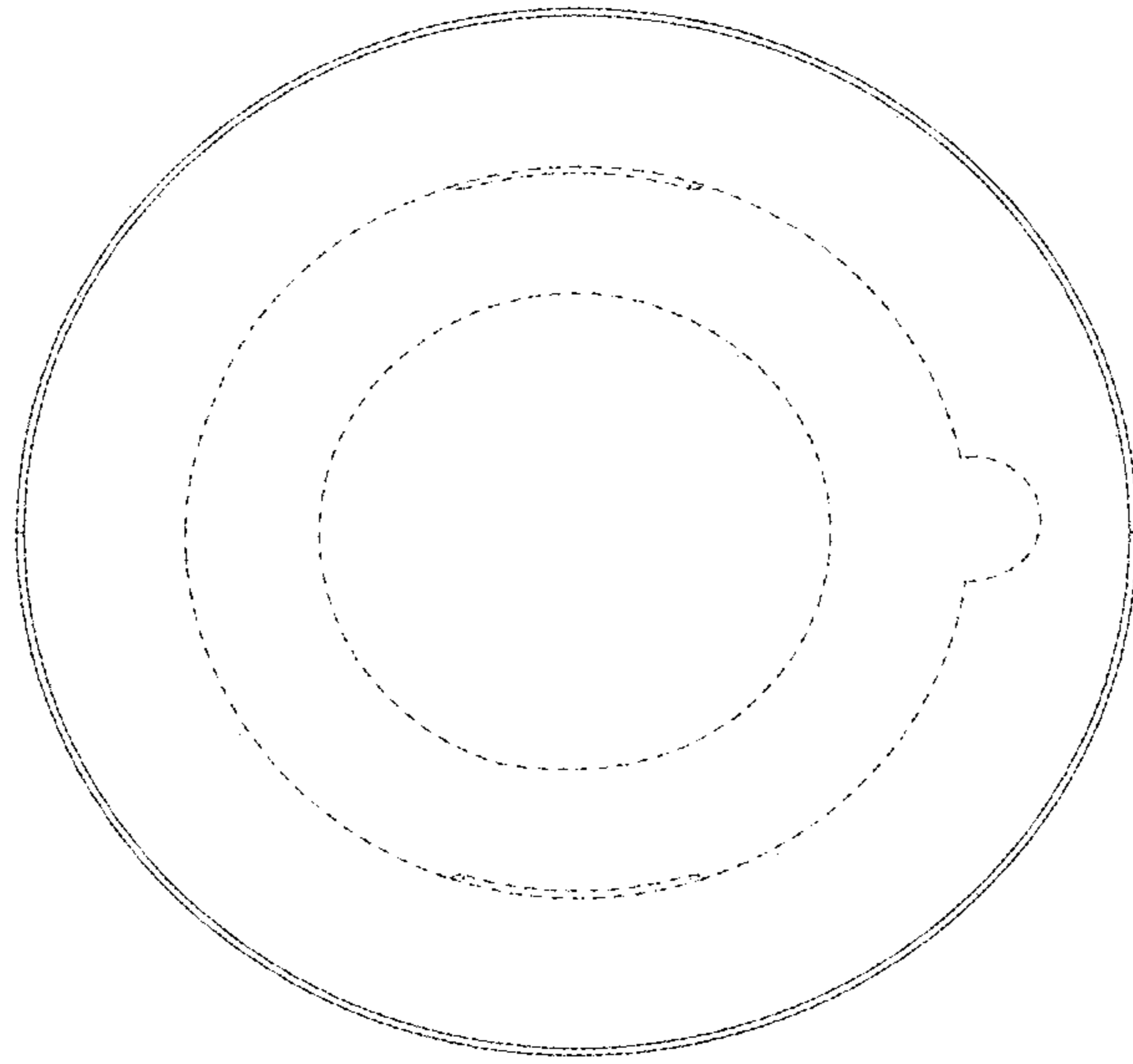


FIG. 3

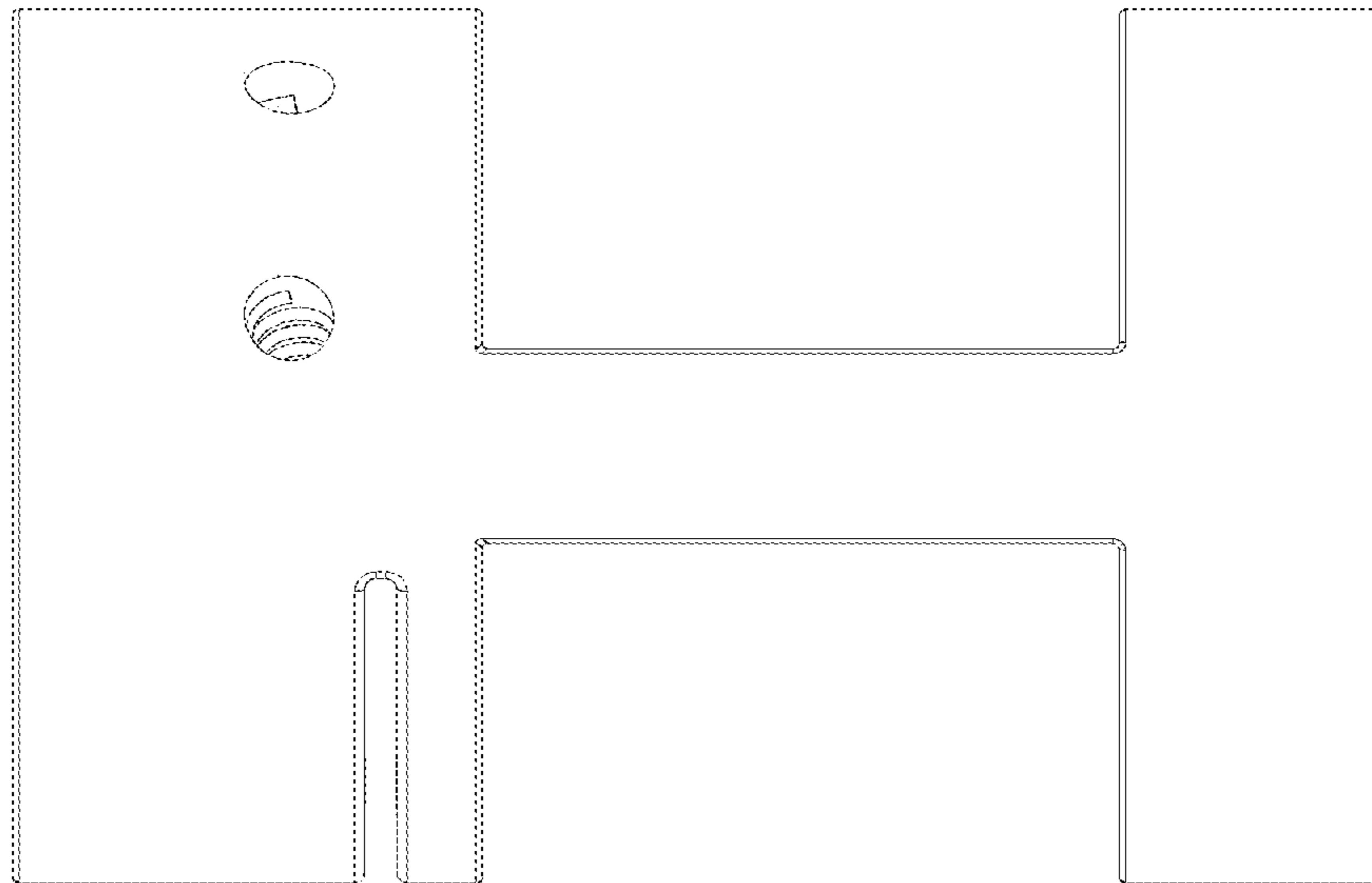


FIG. 4

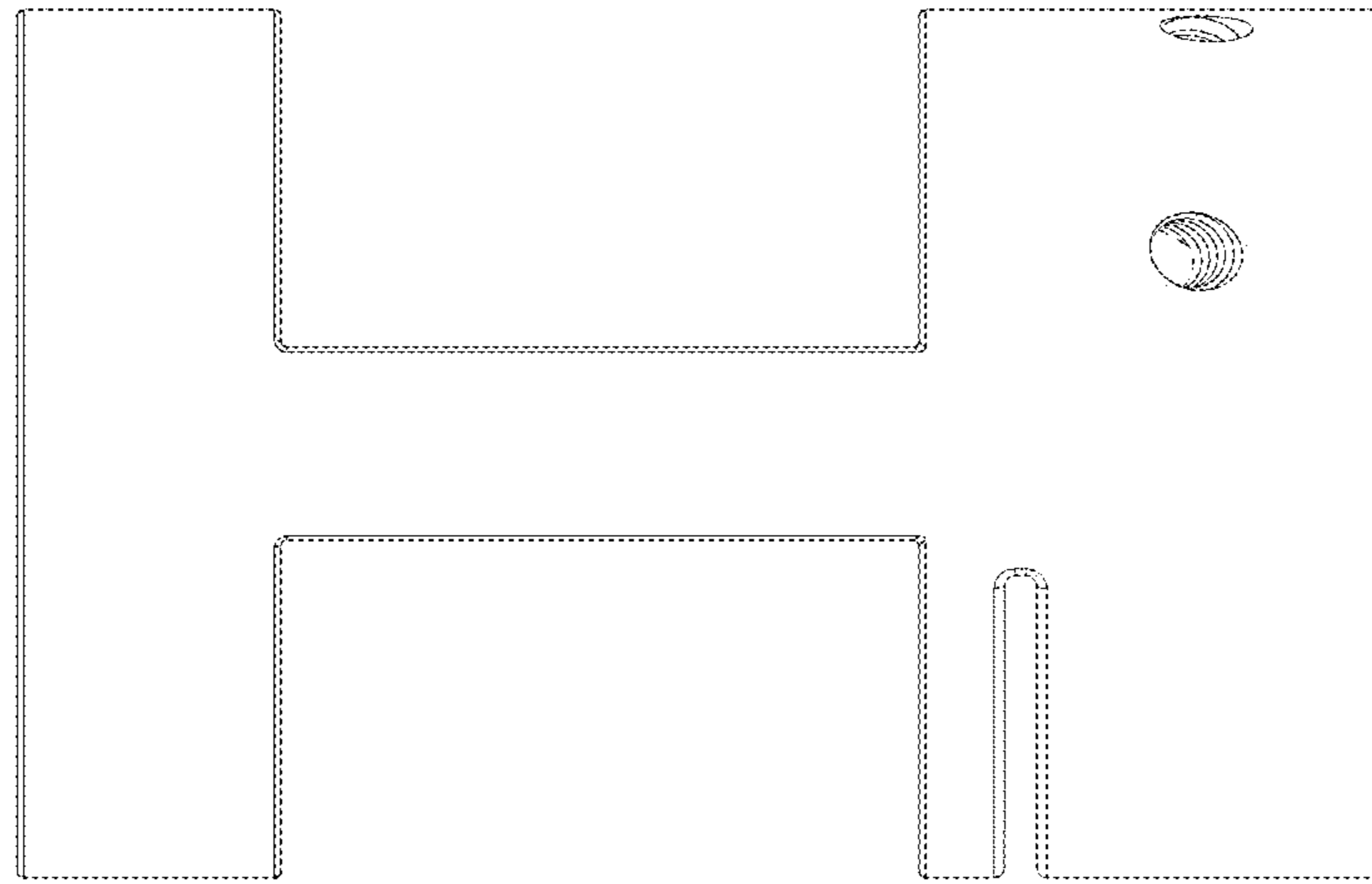


FIG. 5

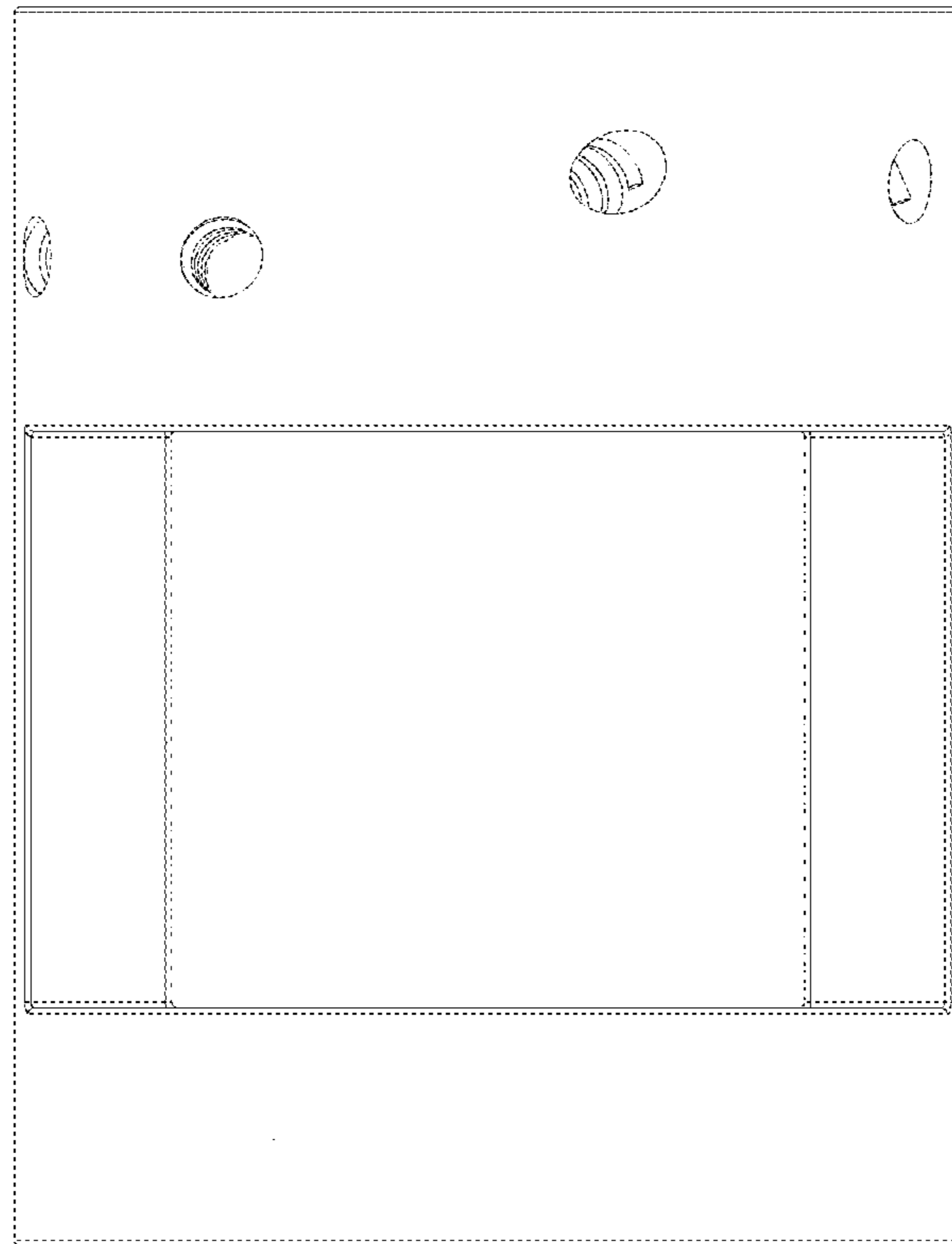


FIG. 6

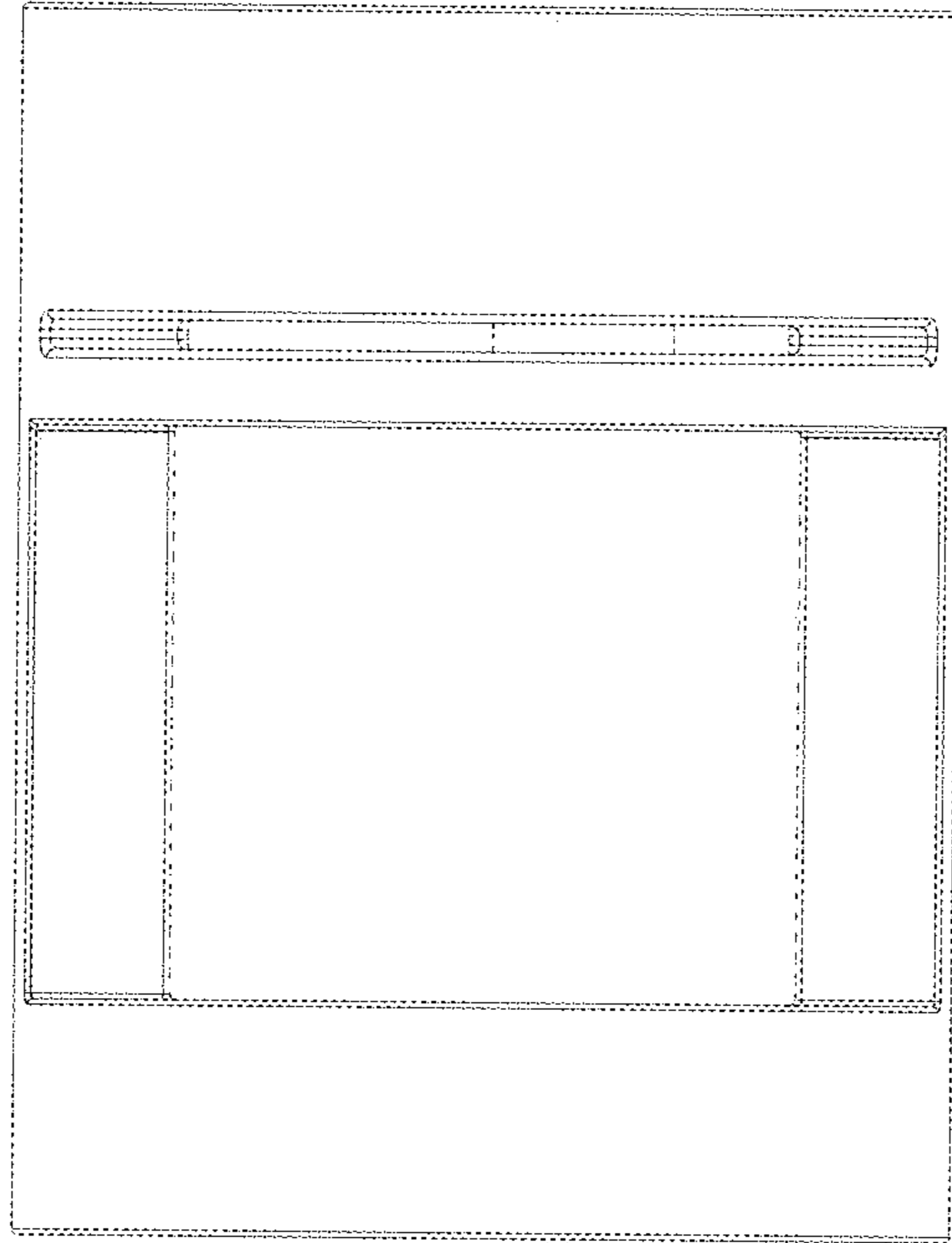


FIG. 7