



US0D1028654S

(12) **United States Design Patent** (10) **Patent No.:** **US D1,028,654 S**  
**Stepanski et al.** (45) **Date of Patent:** **\*\* May 28, 2024**

(54) **DOUBLE ENDED WRENCH**  
(71) Applicant: **Government of the United States as represented by the Secretary of the Air Force**, Washington, D.C., DC (US)  
(72) Inventors: **Brian Stepanski**, North Salt Lake, UT (US); **Andrew Snow**, Roy, UT (US)

D571,173 S \* 6/2008 Hu ..... D8/27  
D607,289 S \* 1/2010 Lambert ..... D8/28  
D632,533 S \* 2/2011 Cappuccio ..... D8/25  
D756,181 S \* 5/2016 Lee ..... D8/27  
9,333,629 B2 5/2016 Chen  
10,414,029 B2 9/2019 Mills et al.  
D956,498 S \* 7/2022 Fausett ..... D8/27  
2015/0258668 A1\* 9/2015 Crawford ..... B25B 13/481  
81/57.3

(73) Assignee: **United States of America as represented by the Secretary of the Air Force**, Wright-Patterson AFB, OH (US)

**OTHER PUBLICATIONS**

KTS 1Pcs Ratchet Hex Wrench Ratchet Allen Key Double End Spanner Single End Plastic Handle Key Hand Tools—(Color: Double End); Katsuso; Amazon.com; May 12, 2020; Accessed Sep. 19, 2023; URL:<<https://www.amazon.com/dp/B088HG5RJL>> (Year: 2020).\*

(\*\*) Term: **15 Years**

\* cited by examiner

(21) Appl. No.: **29/814,116**

(22) Filed: **Nov. 3, 2021**

*Primary Examiner* — Rachel A. Voorhies  
*Assistant Examiner* — Benjamin D. Wannemacher  
(74) *Attorney, Agent, or Firm* — AFMCLO/JAZ; Larry L. Huston

(51) **LOC (14) Cl.** ..... **08-05**

(52) **U.S. Cl.**  
USPC ..... **D8/21; D8/85**

(58) **Field of Classification Search**  
USPC ..... D8/14, 21, 24–27, 29  
CPC ..... B25B 13/461; B25B 23/0028  
See application file for complete search history.

(57) **CLAIM**

The ornamental design for the double ended wrench, as shown and described.

(56) **References Cited**

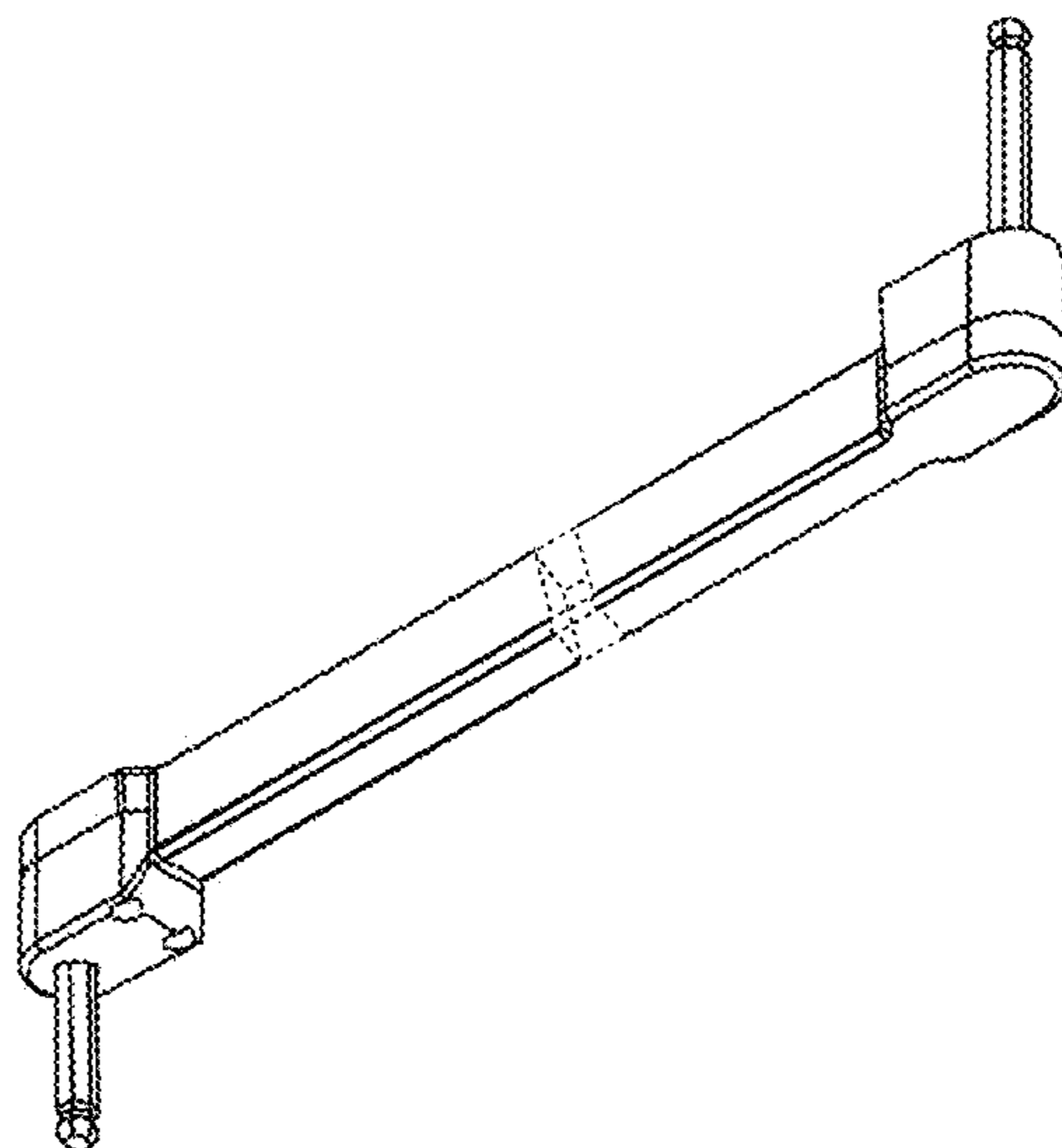
**DESCRIPTION**

**U.S. PATENT DOCUMENTS**

835,034 A \* 11/1906 Riddle ..... B25B 13/463  
81/61  
2,421,038 A \* 5/1947 Schultz ..... B25B 13/463  
81/61  
2,951,405 A \* 9/1960 Engquist ..... B25B 15/008  
81/177.8  
3,635,654 A \* 1/1972 McFarland ..... B25B 13/463  
81/63  
D225,606 S \* 12/1972 Teichmeier ..... D8/25  
5,140,877 A 8/1992 Sloan  
5,421,180 A \* 6/1995 Rojdev ..... B25G 1/005  
74/528  
6,044,731 A 4/2000 Hsieh  
D543,810 S \* 6/2007 Rauckman ..... D8/25

FIG. 1 is a perspective view of the double ended wrench; FIG. 2 is a side view of the double ended wrench, the other side being a mirror image thereof; FIG. 3 is a frontal view of the double ended wrench; FIG. 4 is a rear view of the double ended wrench; FIG. 5 is a top view of the double ended wrench; and, FIG. 6 is a bottom side view of the double ended wrench. In the drawings, the broken, dashed lines indicate indeterminate lengths which form no part of the claimed invention. The drawings contain a symbolic break. The portion between the break lines forms no part of the claimed design.

**1 Claim, 4 Drawing Sheets**



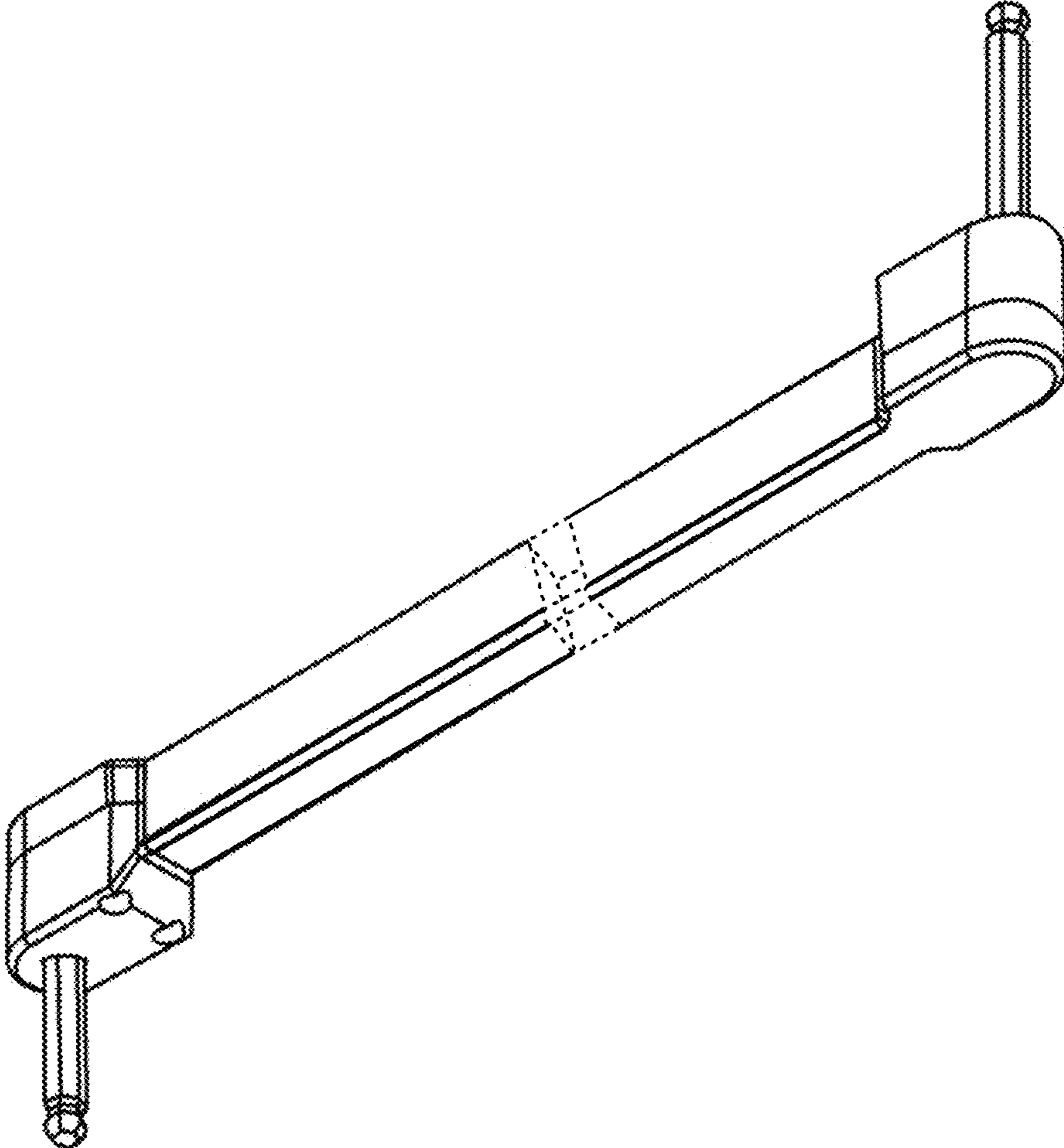


FIG. 1

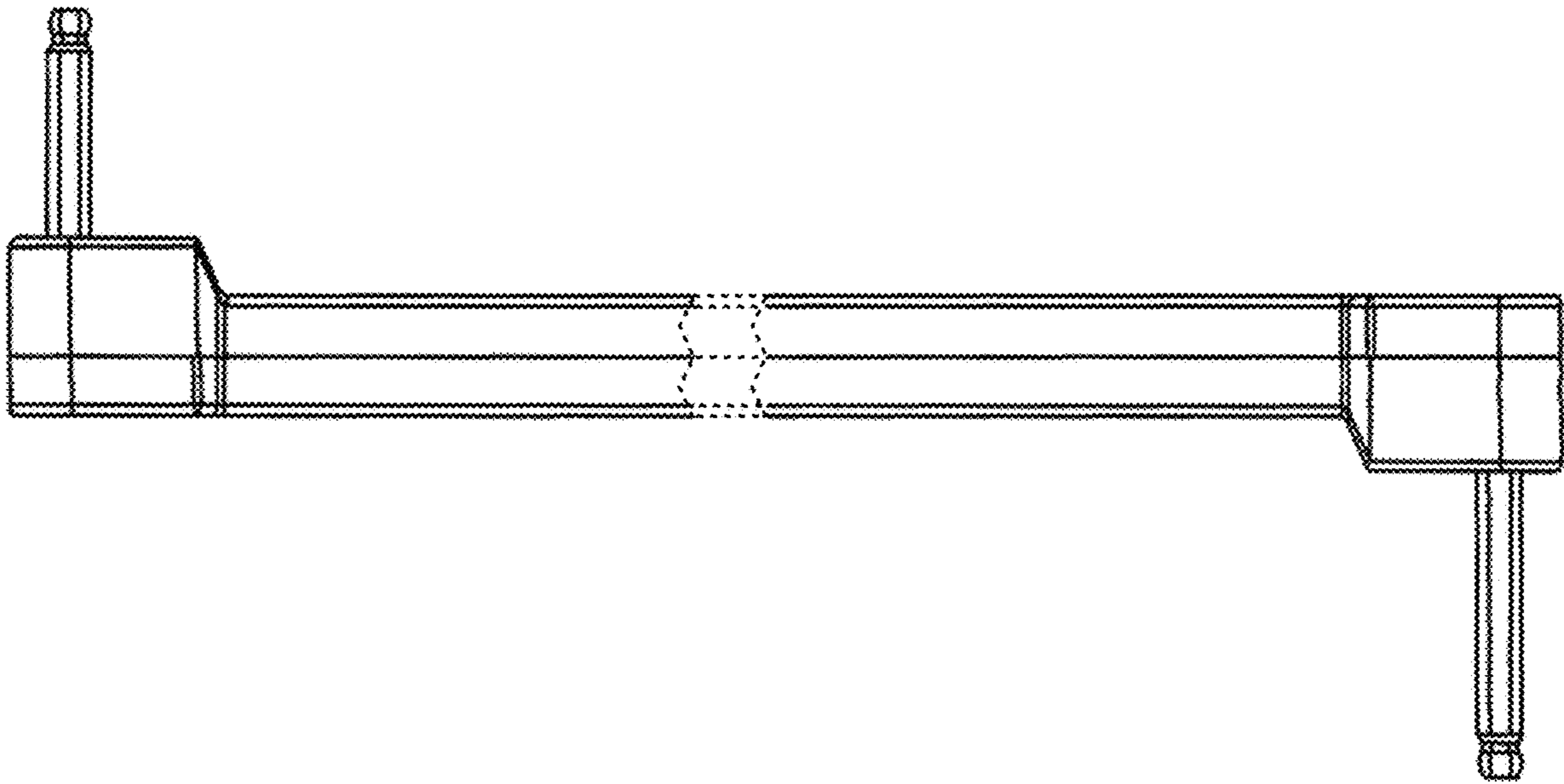


FIG. 2

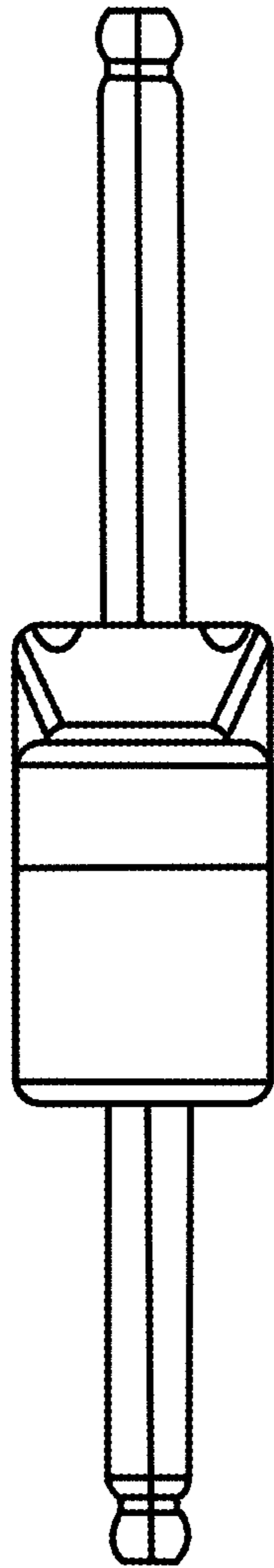


FIG. 3

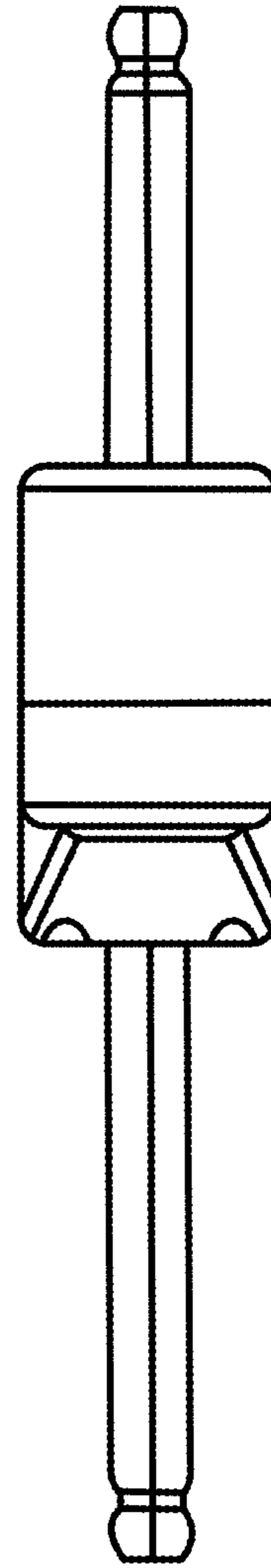


FIG. 4

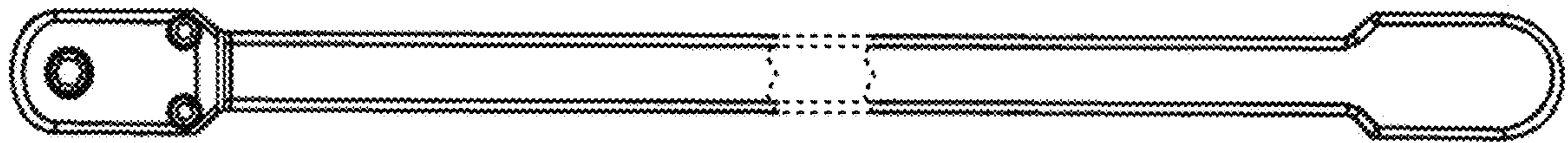


FIG. 5

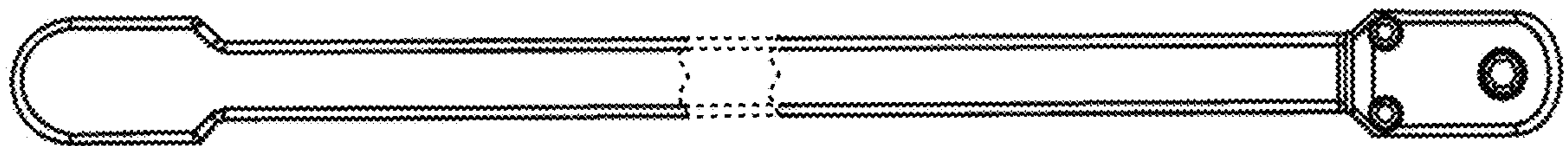


FIG. 6